

Owner's Manual

LAWN AERATOR

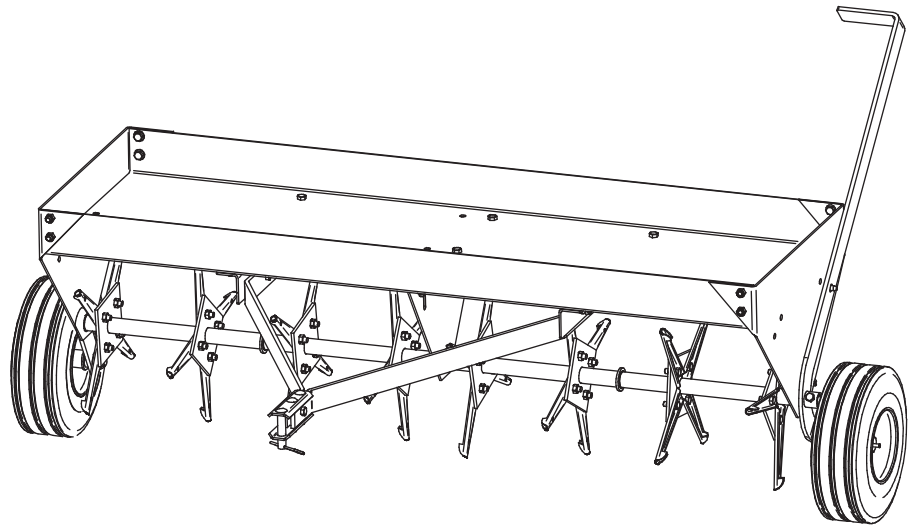
MODELS:

PA-40 BH

PA-48 BH

- Assembly
- Installation
- Operation
- Repair Parts

For use with Riders
and Lawn/Garden Tractors



▲ IMPORTANT This manual contains information for the safety of persons and property. Read it carefully before assembly and operation of the equipment!

For the latest product updates and setup tips:

Visit us on the web!
www.brinly.com

INTRODUCTION

CONGRATULATIONS on the purchase of your new Brinly-Hardy Lawn Aerator! Your lawn aerator is designed, engineered and manufactured to give you the best possible dependability and performance.

CUSTOMER RESPONSIBILITIES

Please read and retain this manual. The instructions enables you to assemble and maintain your lawn aerator properly. And please, always observe the "Safety" instructions.

TABLE OF CONTENTS

SAFETY.....	2-3
PARTS REFERENCE	4
PARTS LIST	5
ASSEMBLY	6-10
OPERATION AND MAINTENANCE	11
WARRANTY	Back page

PRODUCT COMPATIBILITY

This lawn aerator is designed for use with riders and lawn/garden tractors.

RECORD PURCHASE INFORMATION

Record your purchase information in the spaces provided below:

DATE OF PURCHASE:

COMPANY NAME:

COMPANY PHONE:

SERIAL NUMBER:

SAFETY

SAFETY LABELS

UNDERSTANDING THE MACHINE SAFETY LABELS:

The machine safety labels shown in this section are placed in important areas on your machine to draw attention to potential safety hazards.

On your machine safety labels, the words DANGER, WARNING, and CAUTION are used with this safety-alert symbol. DANGER identifies the most serious hazards.

The operator's manual also explains any potential safety hazards whenever necessary in special safety messages that are identified with the word, CAUTION, and the safety-alert symbol.



SAFETY

TO HELP PREVENT BODILY INJURY DUE TO LOSS OF STABILITY OR CONTROL:

- Do not exceed maximum towing capacity of towing vehicle listed in the vehicle operator's manual.
- Do not tow this machine behind a motor vehicle such as a car, truck or ATV.
- Towing this machine behind a ZTR (Zero Turning Radius) mower is not recommended due to the sharp turning ability of the ZTR. Damage to this machine or the ZTR may result. ZTR's typically operate at higher speeds. Operating above 5 mph may result in damage to this machine.

SAFETY

Read the general safety operating precautions in your towing vehicle operator's manual for additional safety information.

PROTECT BYSTANDERS

- Keep bystanders away when you operate this machine.
- Before you back look carefully behind for bystanders.
- Before you operate any feature of this machine, observe your surroundings and look for bystanders.

OPERATE SAFELY

- Use this machine for intended purpose only.
- This machine is intended for use in lawn care and home applications.
- Do not tow behind a vehicle on a highway or in any high speed applications. Do not tow at speeds higher than maximum recommended towing speed.
- Towing speed should always be slow enough to maintain control. Travel slowly over rough ground.
- Do not let children or an untrained person operate machine.
- Do not let anyone, especially children, ride on this machine or the towing vehicle.
- Check towing vehicle brake action before you operate. Adjust or service brakes as necessary.
- Keep all parts in good condition and properly installed. Fix damaged parts immediately. Replace worn or broken parts. Replace all worn or damaged safety and instruction decals.
- Do not modify the machine or safety devices. Unauthorized modifications to the towing vehicle or machine may impair its function and safety, and void the warranty.
- Keep all nuts, bolts and screws tight.

TOWING SAFELY

- Stopping distance increases with speed and weight of towed load. Travel slowly and allow extra time and distance to stop.
- Total towed weight must not exceed limits specified in towing vehicle operator's manual.
- Excessive towed load can cause loss of traction and loss of control on slopes. Reduce towed weight when operating on slopes.
- Use only approved hitches. Tow only with a machine that has a hitch designed for towing. Do not attach this machine except at the approved hitch point.
- Follow the manufacturer's recommendations for weight limits for towed equipment and towing on slopes. Use counterweights or wheel weights as described in the towing vehicle operator's manual.
- Do not turn sharply. Use additional caution when turning or operating under adverse surface conditions. Use care when reversing. To avoid jack-knifing, do not allow towing vehicle wheels to contact tow bar.
- Do not shift to neutral and coast downhill.

KEEP RIDERS OFF TOWED ATTACHMENT

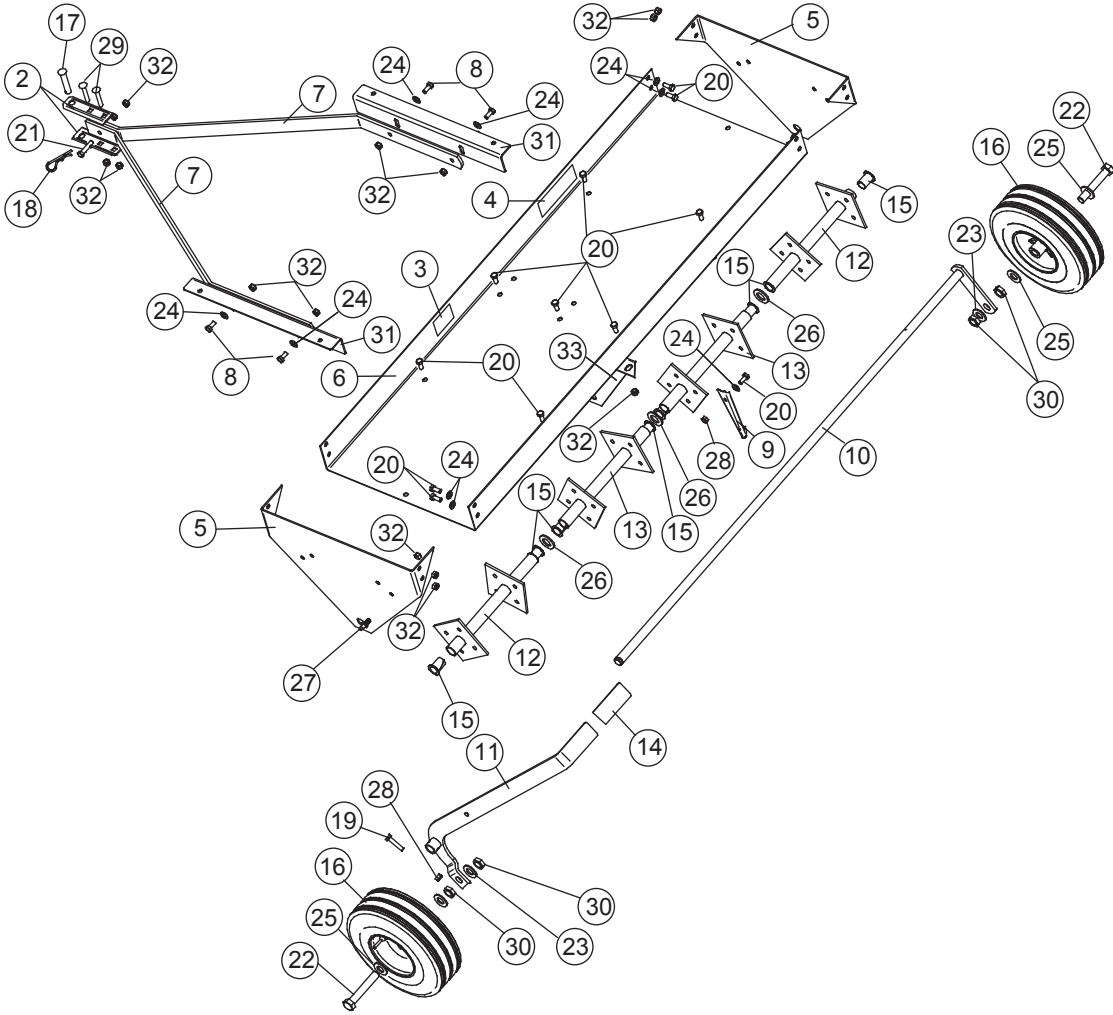
- Keep riders off towed attachment.
- Riders on a towed attachment are subject to injury, such as being struck by objects and being thrown off the attachment during sudden starts, stops and turns.
- Riders obstruct the operator's view, resulting in the attachment being used in an unsafe manner.
- Keep riders off of tow bar.

KEEP BODY PARTS FROM UNDER TOW BAR

Before disconnecting this machine from towing vehicle hitch plate:

- Stop on level ground.
- Stop towing vehicle engine.
- Lock towing vehicle park brake.
- Block wheels of the machine.
- Make sure body parts are not under tow bar.

PARTS REFERENCE



Installation Questions?
Missing Parts?
Replacement Parts?

**DON'T GO BACK
TO THE STORE!**

Please call Customer Service
Department Toll Free
877.728.8224 or
customerservice@brinly.com

PARTS LIST

ITEM NO.	DESCRIPTION	MODEL PA-40 BH			MODEL PA-48 BH	
		PART NO.	QTY.		PART NO.	QTY.
1	Instructions	L-1762	1		L-1762	1
2	Clevis	R-892-10	2		R-892-10	2
3	Caution Label	R-1946	1		R-1946	1
4	Logo Decal	B-5922	1		B-5925	1
5	Side Plate	B-4851-10	2		B-4901-10	2
6	Tray With Labels	B-6173-BH	1		B-6257-BH	1
7	Tow Bar	B-6259-10	2		B-6259-10	2
8	Hex Bolt, 5/16" x 1"	2M1016P	4		2M1016P	4
9	Plugging Spoon	B-4855-10	24		B-4855-10	32
10	Axle Assembly	B-5700-10	1		B-5702-10	1
11	Lift Handle Assembly	B-5698-10	1		B-5698-10	1
12	End Tube Assembly	B-5309-10	2		B-4862-10	2
13	Center Tube Assembly	B-5311-10	1		B-4865-10	2
14	Handle Grip	B-4867	1		B-4867	1
15	3/4" Nylon Bearing	B-4866	6		B-4866	8
16	Transport Wheel	B-6174	2		B-6174	2
17	Hitch Pin	B-3861	1		B-3861	1
18	Hair Pin Cotter	D-146P	1		D-146P	1
19	Hex Bolt, 5/16" x 1-1/2"	2M1024P	1		2M1024P	1
20	Hex Bolt, 5/16" x 3/4"	2M1012P	37		2M1012P	48
21	Hex Bolt, 5/16" x 1-1/4"	2M1020P	1		2M1020P	1
22	Hex Bolt, 5/8" x 4"	2M2064P	2		2M2064P	2
23	Lock Washer, 5/8"	40M2000P	2		40M2000P	2
24	Flat Washer, 5/16"	45M1111P	12		45M1111P	45
25	Flat Washer, 5/8"	45M2121P	4		45M2121P	4
26	Mach. Bushing, 3/4"	B-676P	6		B-676P	6
27	Transport Lock Pin	B-3307-S	1		B-3307-S	1
28	Hex Lock Nut, 5/16"	B-1674P	25		B-1674P	33
29	Carriage Bolt, 5/16" x 2-1/4"	11M1036P	2		11M1036P	2
30	Hex Nut, 5/8"	30M2000P	4		30M2000P	4
31	Mount Bracket	B-6171-10	2		B-6258-10	2
32	Nylon Lock Nut, 5/16"	B-4786	21		B-4786	24
33	Center Plate	N/A	N/A		B-4902-10	1

ASSEMBLY

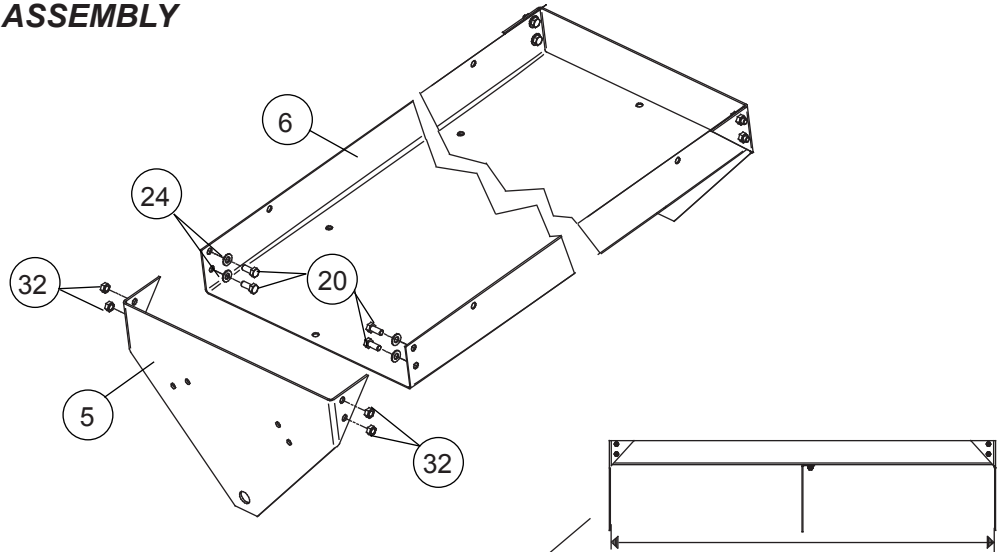
Figure 1 **SIDE PLATE ASSEMBLY**

TOOLS REQUIRED:

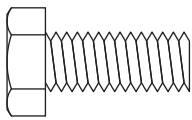
- 1/2" Wrench (2)
- Slip Joint Pliers
- Tape Measure
- 15/16" Wrench (2)

1a. Assemble Side Plates (5) to Tray (6) as shown.

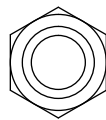
Pre-assemble the Flat Washers (24) to the Hex Bolts (20). Insert the Bolt and Washer Assembly from the inside of the tray. Secure with Nylon Lock Nuts (32).



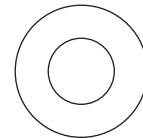
IMPORTANT When tightening the bolts, for the PA-48 BH maintain a distance of 48" to 48-1/8" inside to inside of Side Plates (5). For the PA-40 BH maintain a distance of 41" to 41-1/8" inside to inside of Side Plates (5).



(20)
Hex Head Bolt, 5/16" x 3/4"
Qty. 8



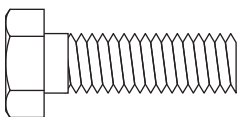
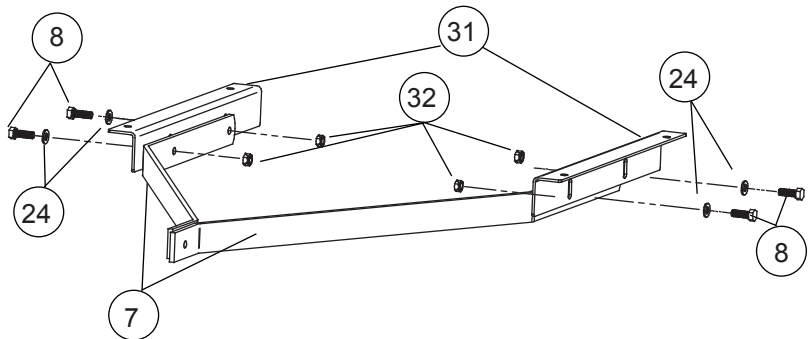
(32)
Nylon Lock Nut, 5/16"
Qty. 8



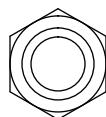
(24)
Flat Washer, 5/16"
Qty. 8

Figure 2 **BRACKET ASSEMBLY**

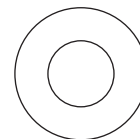
2a. Assemble Mount Bracket (31) to the outside of Tow Bars (7) as shown. Pre-assemble the Flat Washers (24) to the Hex Bolts (8). Insert the Bolt and Washer Assembly from outside of the Mount Bracket. Loosely tighten with Nylon Lock Nuts (32).



(8)
Hex Head Bolt, 5/16" x 1"
Qty. 4



(32)
Nylon Lock Nut, 5/16"
Qty. 4



(24)
Flat Washer, 5/16"
Qty. 4

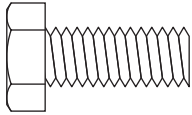
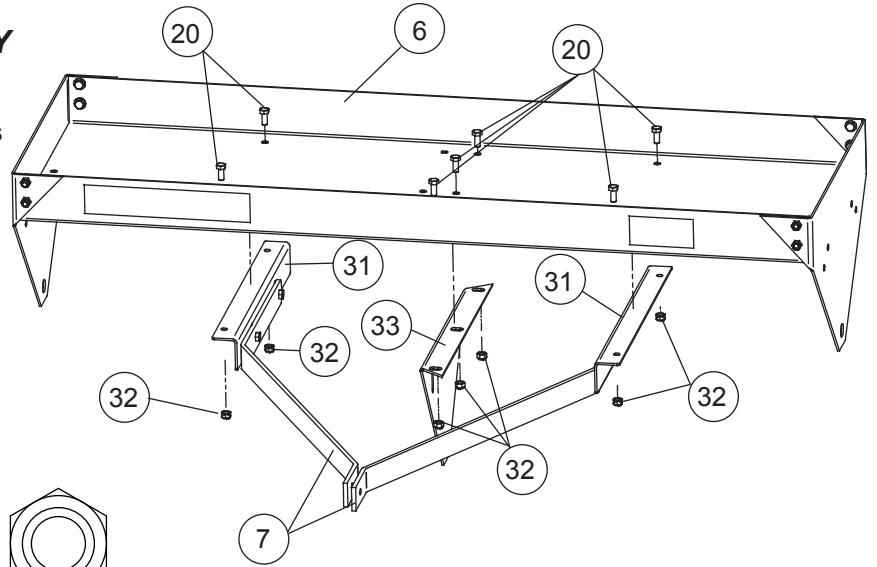
ASSEMBLY

Figure 3 TOW BAR ASSEMBLY

3a. Assemble Mount Brackets (31) to Tray (6) as shown. Insert the Bolts from the topside of the Tray. Loosely tighten with Nylon Lock Nuts (32).

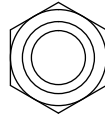
▲IMPORTANT Tray with label faces forward.

For PA-48 BH model install Center Plate (33) to Tray (6) as shown. Insert the Bolts from the topside of the Tray. Loosely tighten with Nylon Lock Nuts (32).



(20)

Hex Head Bolt, 5/16" x 3/4"
Qty. 4 for PA-40 BH
Qty. 7 for PA-48 BH



(32)

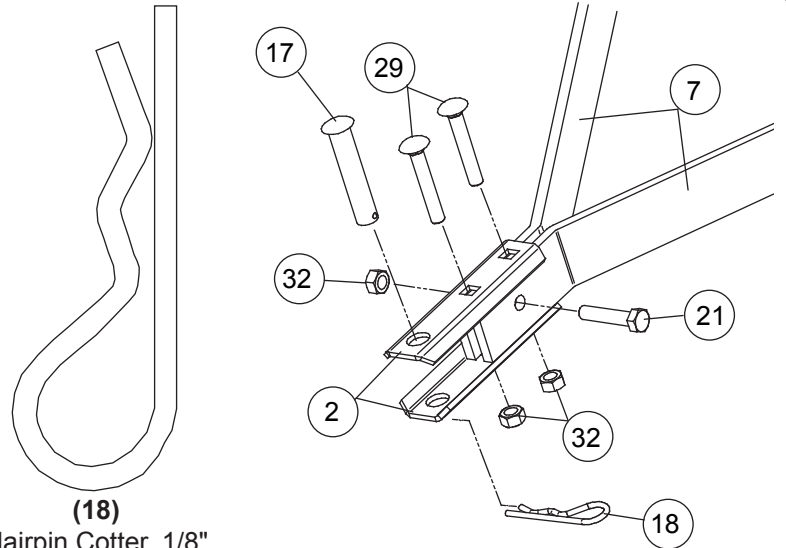
Nylon Lock Nut, 5/16"
Qty. 4 for PA-40 BH
Qty. 7 for PA-48 BH

Figure 4 CLEVIS ASSEMBLY

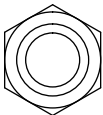
4a. Assemble the Clevis (2) to Tow bars (7) as shown. Install Carriage Bolts (29) and Nylon Lock Nuts (32) finger tight. Next install Hex Bolt (21) and Nylon Lock Nut (32) finger tight.

4b. Insert Hitch Pin (17) in Clevis (2) and secure with Hairpin Cotter (18). Grasp Hitch Pin and pull forward.

4c. Tighten securely all fasteners installed in step 4a. Then tighten securely all hardware installed in Steps 2 through 3.

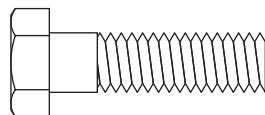


(18)
Hairpin Cotter, 1/8"
Qty. 1



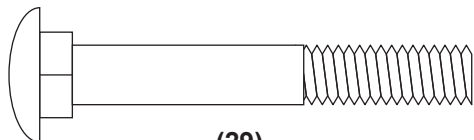
(32)

Nylon Lock Nut, 5/16"
Qty. 3



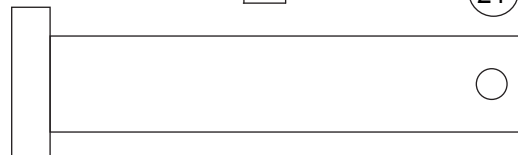
(21)

Hex Head Bolt, 5/16" x 1-1/4"
Qty. 1



(29)

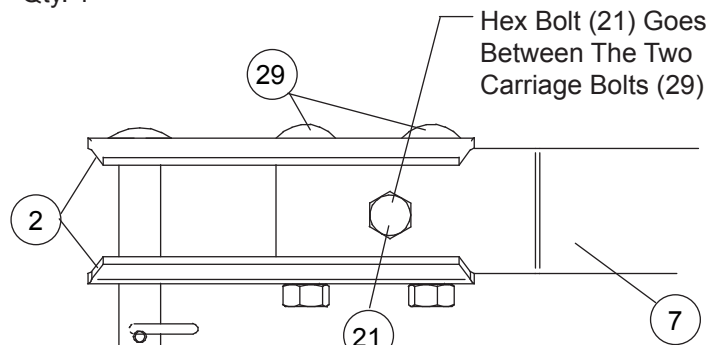
Carriage Bolt, 5/16" x 2-1/4"
Qty. 2



(17)

Hitch Pin
Qty. 1

Hex Bolt (21) Goes Between The Two Carriage Bolts (29)



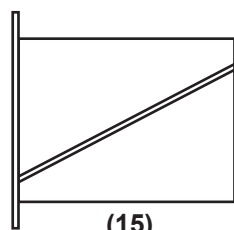
ASSEMBLY

Figure 5 **TUBE ASSEMBLY**

5a. Assemble Plugging Spoons (9) to each welded plate (side opposite welds) of all the Tube Assemblies (12 and 13) as shown. For PA-48H, pre-assemble Hex Bolts (20) and Flat Washers (24). NOTE: PA-40BH does not use Flat Washers. Install the Bolt (and Washer Assemblies) through Plugging Spoons and secure with Lock Nuts (28).

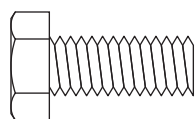
IMPORTANT Rounded part of spoon fits against the tube to lock in place.

5b. Insert a Nylon Bearing (15) into each end of the tube assemblies.



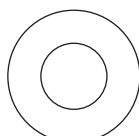
(15)

Nylon Bearing, 3/4" I.D.
Qty. 6 for PA-40 BH
Qty. 8 for PA-48 BH



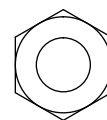
(20)

Hex Head Bolt, 5/16" x 3/4"
Qty. 24 for PA-40 BH
Qty. 32 for PA-48 BH



(24)

Flat Washer, 5/16"
Qty. 32 used on PA-48 BH ONLY!



(28)

Lock Nut, 5/16"
Qty. 24 for PA-40 BH
Qty. 32 for PA-48 BH

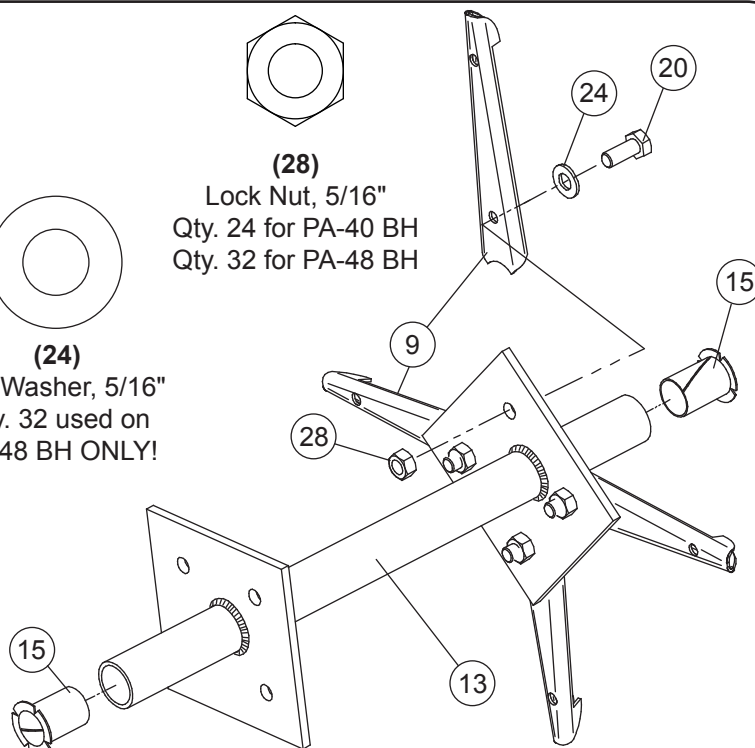


Figure 6 **TINE ASSEMBLY**

6a. The End Tube Assemblies (12) have one plate approximately 1-1/8" from the end of the tube. The Center Tube Assemblies (13) have each plate approximately 2-3/4" from the end of the tube.

6b. Place a Machinery Bushing (26) over Axle Assembly (10). Insert Axle Assembly through Right Side Plate and install in the following order:

- End Tube Assembly (12) with short hub end next to side plate.
- Machinery Bushing (26).
- Center Tube Assembly (13).

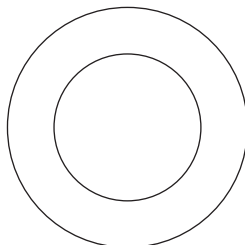
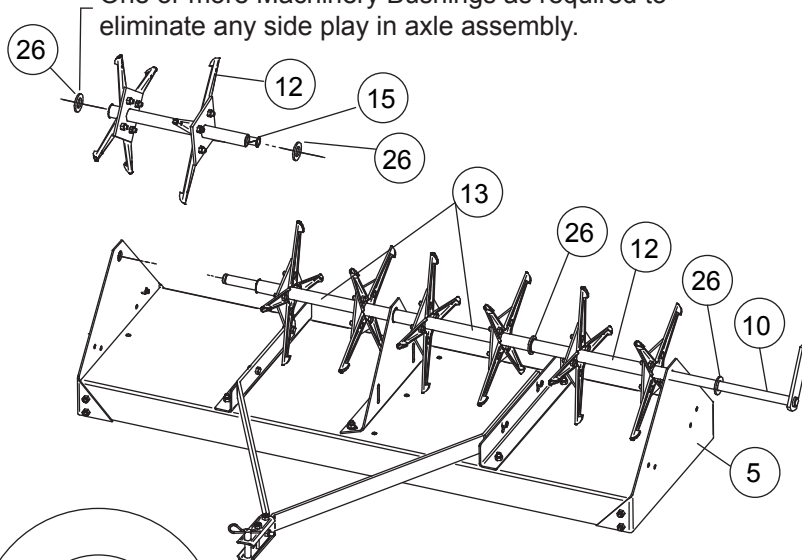
For PA-48 BH only:

- Center Plate (33) and then another Center Tube Assembly (13).

For all models:

- Machinery Bushing (26).
- End Tube Assembly (12) with short hub end next to side plate.
- One or more Machinery Bushings (26) as required to eliminate any side play in axle assembly.

One or more Machinery Bushings as required to eliminate any side play in axle assembly.



(26)

Machinery Bushing, 3/4"
Qty. 6

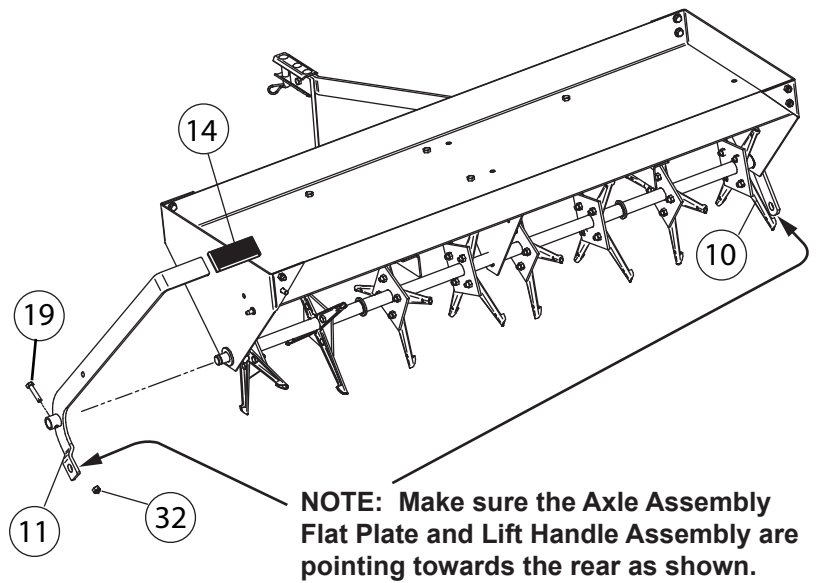
IMPORTANT

Make sure Nylon Bearings (15) are inside Tube Assemblies (Installed in Step 5b)

Figure 7 **HANDLE ASSEMBLY**

7a. Push the Axle Assembly (10) through the left side plate as far as possible and rotate so the hole in the flat plate faces to the rear as shown. Install the Lift Handle Assembly (11) with the welded tube facing out, to the Axle Assembly (10). Secure with Hex Bolt (19) and Nylon Lock Nut (32).

7b. Slip Handle Grip (14) over end of Lift Handle Assembly (11). NOTE: Soapy water will ease the assembly.



(14)
Handle Grip
Qty. 1
(Not To Scale)

(32)
Nylon Lock Nut, 5/16"
Qty. 1

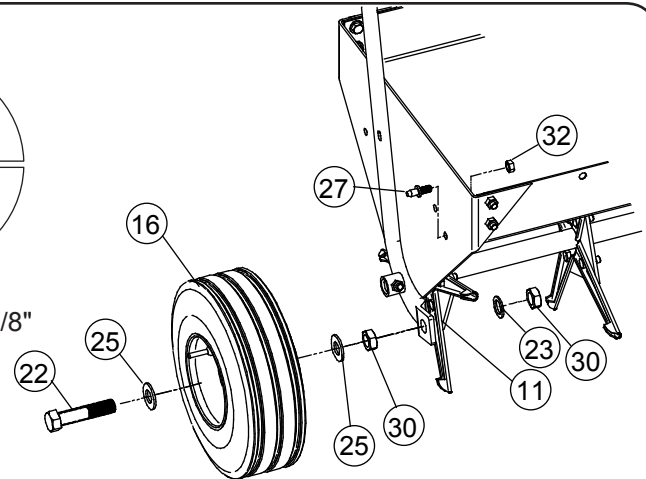
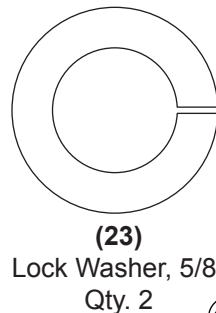
(19)
Hex Head Bolt, 5/16" x 1-1/2"
Qty. 1

Figure 8 **WHEEL ASSEMBLY**

7a. Pre-assemble axle bolt. Install Flat Washer (25) over Hex Bolt (22). Slide assembly through wheel, note orientation. Place Flat Washer (25) and Hex Nut (30) on Bolt and thread on as far as possible, still allowing wheel to rotate freely.

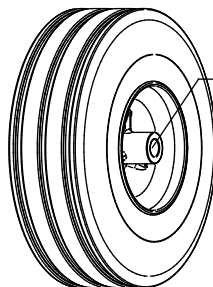
7b. Install through holes in Lift Handle (11) and Axle Assembly (10). Install Lock Washer (23) and Hex Nut (30). Tighten inside Hex Nut while holding Hex Nut next to wheel stationary.

7c. Insert Transport Pin (27) in rear hole same side as Lift Handle Assembly (11) as shown. Secure with Nylon Lock Nut (32).



(30)
Hex Nut, 5/8"
Qty. 4

(25)
Flat Washer, 5/8"
Qty. 4



(32)
Nylon Lock Nut, 5/16"
Qty. 1

(27)
Transport Lock Pin
Qty. 1

(22)
Hex Bolt, 5/8" x 4"
Qty. 2

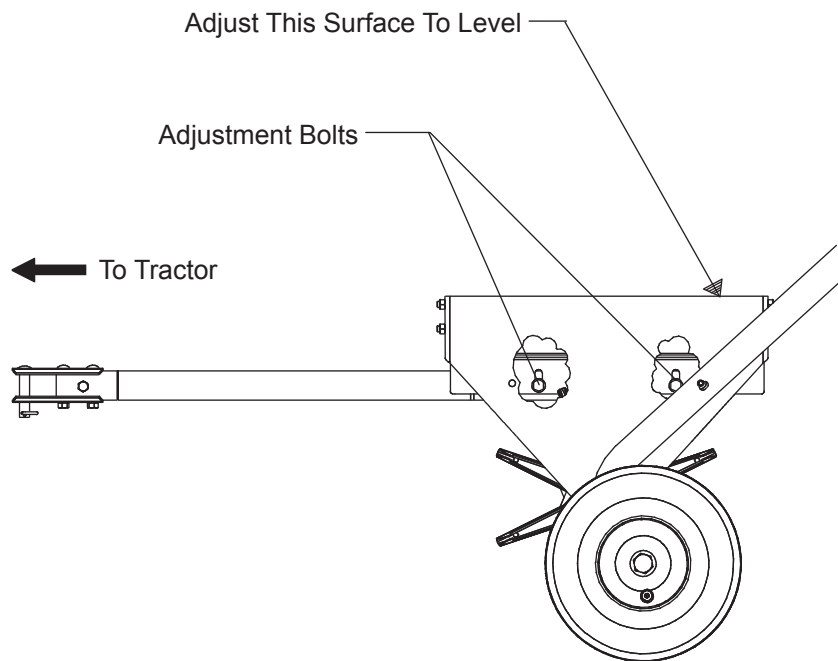
ASSEMBLY

Figure 9

LEVELING

9a. The final step is to level Tray (6) using adjustment bolts as shown here and installed in Step 2. To adjust, loosen Bolts and position Tow Bars until level.

NOTE: The adjustment is made with the aerator attached to the rider or lawn/garden tractor with the wheels in transport position.



OPERATION

WHEN TO AERATE

Your Aerator should not be used when lawn conditions are too wet or too dry. To determine condition, dig a small amount of your soil (about three inches deep):

If soil appears powdery and brittle- it is too dry. Wait until a later date, the Tines will not penetrate properly.

If soil appears damp, roll a small amount into a ball in the palm of your hand- if it forms a ball, then it is too wet. Ideally, the soil should fall apart when rolled in the palm of your hand. Wait until a later date for soil to dry. If soil is too wet, the Tines will not operate effectively and your tractor could lose traction, causing lawn damage.

MOUNTING AND TRANSPORTING

Attach aerator to your rider or lawn/garden tractor using Pin and Hairpin Cotter Supplied.

To Place in Transport Position:

- Push REARWARD on Lift Handle (11) towards Transport Lock Pin in Side Plate. Pull Handle OUT and mover over Lock Pin. Aerator now rests on wheels.

To Place in Operating Position:

- Pull OUT on Lift Handle (releasing from Transport Lock Pin) and move FORWARD. Aerator now rests on Plugging Spoons.

CAUTION

After first thirty minutes of use check all fasteners for tightness.

To avoid damage to spoons, always engage transport wheels to raise the spoons when crossing concrete or asphalt walks, drives, or roads.

Use the Aerator only on an established lawn, never on newly laid sod.

To avoid possible personal injury and/ or equipment never exceed the recommended operating speed range of 3 to 5 MPH.

Only tow Aerator behind vehicles for which it was designed, riders and lawn/garden tractors.

Do not stand/ride on Aerator, bodily injury could result.

Always disconnect Aerator from tractor when cleaning or servicing unit.

Never exceed the Weight Tray capacity.

Do Not attempt to disconnect Aerator from tractor with weight in Tray.

When backing, carefully back straight to avoid Jack-knifing, which could result in damage to equipment.

MAINTENANCE

USE OF ADDITIONAL WEIGHT

The weight required to give a recommended penetration of approximately two to three inches will vary according to soil type and conditions. Concrete blocks, patio blocks, sand bags, or any other type of weight can be added to Aerator Tray as required. Weight can be secured by using tie downs through holes in Tray Flanges. Tie downs are not furnished with your unit. Usually three Concrete Blocks will be sufficient, but more or less weight may be required.

- Drive your tractor to location to be Aerated.
- Lower Aerator to Operating Position.
- Drive the Tractor FORWARD approximately ten feet and stop.
- Observe the operation- there should be a Plug hole approximately every ten to twelve inches and not more than three inches deep.
- Add or remove weight to obtain this condition.

MAINTENANCE:

The key to years of trouble-free service is to keep your Aerator clean and dry.

Never allow wet material to remain in Tray for extended periods of time.

Occasionally check all moving parts for free movement and, if necessary, lubricate with oil.

Should rust develop, sand lightly and then paint area with enamel.

Periodically check all fasteners for tightness.

IMPORTANT:

Apply a drop of lubricating oil to each Nylon Bearing and the Aerator Axle before each use.

To prevent rust on plugging spoons, apply a light coat of oil on the working areas of spoons after each use. Should rust appear on any other part of your Aerator, sand lightly to remove rust and coat lightly with enamel.

Plugging spoons are manufactured with special steels and are heat treated to resist wear of abrasive soil. Striking sub-surface objects can cause spoon breakage. Contact our Customer Service Department to purchase replacement Plugging Spoons (Part# B-4855-10). See "GETTING QUALITY SERVICE".

Periodically check the spoons remove any debris which might build up and restrict their action.

After each use, service unit as described and store in a dry area, shielding tines to avoid injury.

SPECIFICATIONS

PA-40

Maximum Towing Speed 5 MPH
Aerator Capacity..... 150 lbs.
Empty Weight..... 66 lbs.
Maximum Towing Weight.....216 lbs.
Recommended Tire Pressure.....Semi pneumatic

PA-48

Maximum Towing Speed 5 MPH
Aerator Capacity.....200 lbs.
Empty Weight 90 lbs.
Maximum Towing Weight.....290 lbs.
Recommended Tire Pressure.....Semi pneumatic

SERVICE

Quality Continues With Quality Service

We provide a process to remedy your questions or problems.

Follow the steps below to get answers to any questions you may have about your product, or to order replacement parts:

1. Refer to your attachment and machine operator manuals.
2. In North America and Canada, call 1-877-728-8224 and provide product serial number and model number.

MANUFACTURER'S LIMITED WARRANTY FOR



Pull Behind Accessories

The limited warranty set forth below is given by Brinly-Hardy Company with respect to new merchandise purchased and used in the United States, its possessions and territories.

Brinly-Hardy Company warrants the products listed below against defects in material and workmanship, and will at its option, repair or replace, free of charge, any part found to be defective in materials or workmanship. This limited warranty shall only apply if this product has been assembled, operated, and maintained in accordance with the Operator's manual furnished with the product, and has not been subject to misuse, abuse, commercial use, neglect, accident, improper maintenance, alteration, vandalism, theft, fire, water, or damage because of other peril or natural disaster.

Normal Wear Parts or components thereof are subject to separate terms as follows: All normal wear parts or component failures will be covered on the product for a period of 90 days.

Parts found to be defective within the warranty period will be replaced at our expense. Our obligation under this warranty is expressly limited to the replacement or repair, at our option, of parts found to be defective in material and workmanship.

HOW TO OBTAIN SERVICE: Warranty parts replacements are available, ONLY WITH PROOF OF PURCHASE, through our Pull Behind Accessories Customer Service Department. Call 877-728-8224.

This limited warranty does not provide coverage in the following cases:

- Routine maintenance items such as lubricants and filters.
- Normal deterioration of the exterior finish due to use or exposure.
- Transportation and/or labor charges.
- The warranty does not include commercial and/or rental use.

No implied warranty, including any implied warranty of merchantability of fitness for a particular purpose, applies after the applicable period of express written warranty above as to the part as identified below.

No other express warranty whether written or oral, except as mentioned above, given by any person or entity, including a dealer or retailer, with respect to any product, shall bind Brinly-Hardy Co. During the period of the warranty, the exclusive remedy is repair or replacement of the product as set forth above.

The provisions as set forth in this warranty provide the sole and exclusive remedy arising from the sale. Brinly-Hardy Co. shall not be liable for incidental or consequential loss or damage including, without limitation, expenses incurred for substitute or replacement lawn care services or for rental expenses to temporarily replace a warranted product.

Some states do not allow the exclusion or limitation of incidental or consequential damages, or limitations on how long an implied warranty lasts, so the above exclusions or limitations may not apply to you.

During the warranty period, the exclusive remedy is replacement of the part. In no event shall recovery of any kind be greater than the amount of the purchase price of the product sold. Alteration of safety features of the product shall void this warranty. You assume the risk and liability for loss, damage, or injury to you and your property and/or to others and their property arising out of the misuse or inability to use this product.

This limited warranty shall not extend to anyone other than the original purchaser or to the person for whom it was purchased as a gift.

HOW STATE LAW RELATES TO THIS WARRANTY: This limited warranty gives you specific legal rights, and you may also have other rights which vary from state to state.

IMPORTANT: The Warranty period stated below begins with the PROOF OF PURCHASE. Without the proof of purchase, the Warranty period begins from the date of manufacture determined by the serial number manufacturing date.

SPREADER WARRANTY PERIOD:

The warranty period for this aerator is as follows: Steel frame parts – 2 Years. Tires, wheels, and plugging spoons are normal wear items - 90 days.