

## SERVICE DATA SHEET

### Appliance with ES630 Electronic Oven Control

**NOTICE:** This service data sheet is intended for use by persons having electrical and mechanical training and a level of knowledge of these subjects generally considered acceptable in the appliance repair trade. The manufacturer cannot be responsible, nor assume any liability, for injury or damage of any kind arising from the use of this data sheet.

**IMPORTANT NOTE:** This unit includes an EOC (electronic oven control). This board is not field-repairable.

#### Safe Servicing Practices

To avoid the possibility of personal injury and/or property damage, it is important that safe servicing practices be observed. The following are some, but not all, examples of safe practices.

- Do not attempt a product repair if you have any doubts as to your ability to complete it in a safe and satisfactory manner.
- Before servicing or moving an appliance, remove power cord from electric outlet, trip circuit breaker to Off, or remove fuse.
- Never interfere with the proper installation of any safety device.
- Use only replacement parts specified for this appliance. Substitutions may not comply with safety standards set for home appliances.
- Grounding: The standard color coding for safety ground wires is green or green with yellow stripes. Ground leads are not to be used as current carrying conductors. It is extremely important that the service technician reestablish all safety grounds prior to completion of service. Failure to do so will create a potential hazard.
- Prior to returning the product to service, ensure that:
  - All electric connections are correct and secure.
  - All electrical leads are properly dressed and secured away from sharp edges, high-temperature components, and moving parts.
  - All uninsulated electrical terminals, connectors, heaters, etc. are adequately spaced away from all metal parts and panels.
  - All safety grounds (both internal and external) are correctly and securely reassembled.
  - All panels are properly and securely reassembled.

#### Oven Calibration

Set the electronic oven control for normal baking at 350°F. Allow oven to preheat to set temperature. Obtain an average oven temperature after a minimum of five cycles. Press the **STOP** key to end the Bake mode.

#### Temperature Adjustment

- While in a non-cooking mode (idle), press User Pref key until UPO appears.
- The current calibration offset (temperature adjustment) should appear in the temperature display.
- Use the hi/lo (+/-) keys to enter the desired amount of adjustments (up to 35°F).
- Once the desired adjustment (-35° to 35° F) has been entered, press the **Start** key to accept the change.
- Press the **Cancel** key to return the control to the idle.

**Note:** Changing calibration affects all baking modes. The adjustments made will not change the self-cleaning temperature.

#### 2-Speed Cooling Fan

The EOC controls the speed of the cooling fan. The cooling fan is activated at low speed during any cooking function and will remain on until the oven is cooled down. The high speed is activated during the broil (with open door) and during clean cycles only when the temperature is above approximately 575°F/302°C.

#### CIRCUIT ANALYSIS MATRIX

	On Relay Board											TRIAC Board		On Display Board	
	ELEMENTS			Door Motor J3-5	DLB L2 out P1	Cooling Fan Low J3-7	Cooling Fan High J3-8	Conv Fan P2-7	Oven Light P2-1	Door Switch P10-3	Rack Sensor Defeat P10-2				
	Bake P9	Broil P7	Conv. P11												
Bake	X	X	X*		X	X	X	X*							
Keep Warm	X				X	X									
Broil		X			X	X	X								
Conv. Bake	X	X	X		X	X	X	X**							
Conv. Roast	X	X	X		X	X	X	X							
Conv. Broil		X			X	X	X	X							
Clean	X	X			X	X	X								
Locking				X											
Locked															
Unlocking				X											
Unlocked															
Light									X						
Door Open									X						
Door Closed										X					
Bread Proof	X				X	X									
Rack sensor switch defeat												X			
Relay will operate in this condition only													*Convection element and fan are used for the first rise in temperature		

**IMPORTANT**  
**DO NOT REMOVE THIS BAG**  
**OR DESTROY THE CONTENTS**  
**WIRING DIAGRAMS AND SERVICE**  
**INFORMATION ENCLOSED**  
**REPLACE CONTENTS IN BAG**

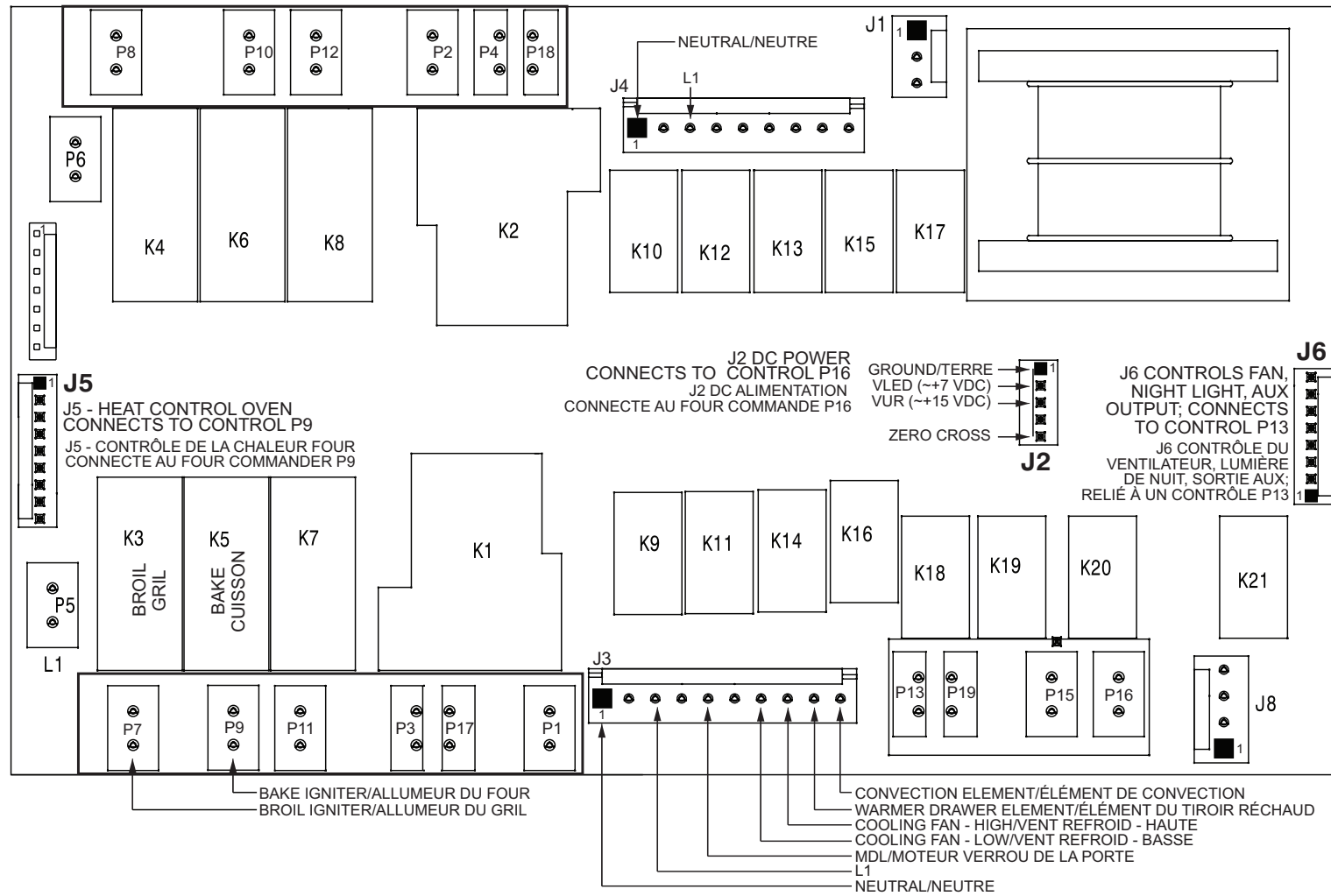
LOWER OVEN ANALYSIS MATRIX	On Relay Board	
	ELEMENTS	DLB L2 out (P2)
	Bake (P10)	
Bake	X	X
Keep Warm	X	X

#### ELECTRONIC OVEN CONTROL (EOC) FAULT CODE DESCRIPTIONS

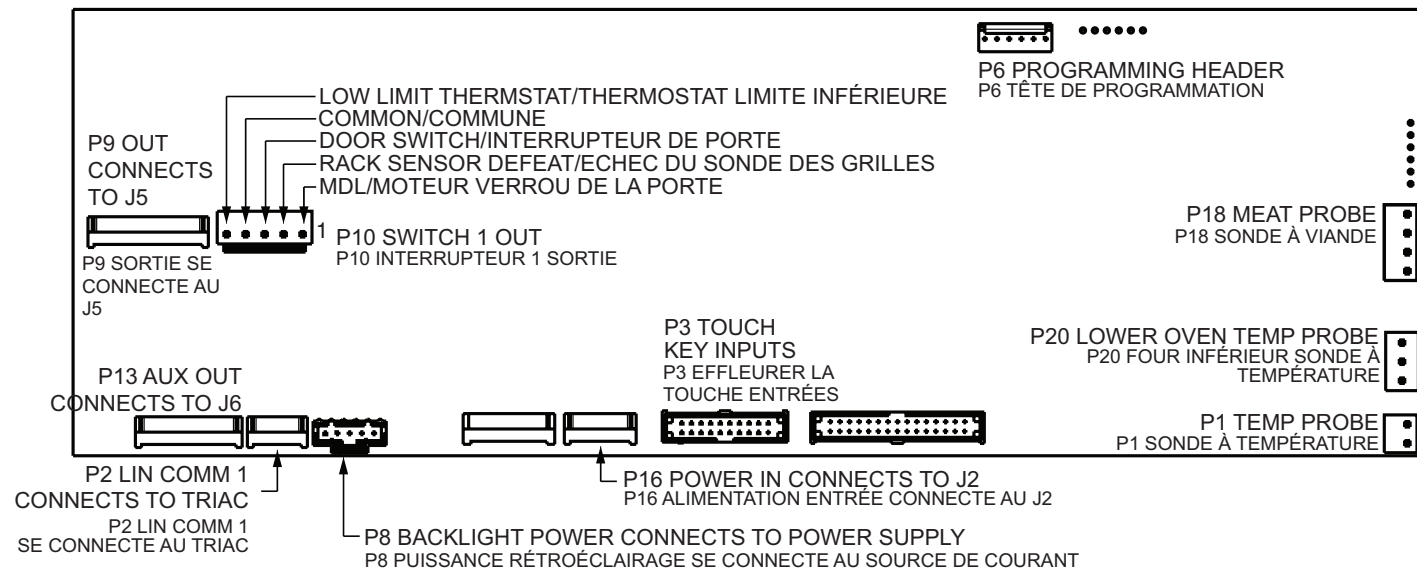
Note: Generally speaking "F1X" implies a control failure, "F3X" an oven probe problem, and "F9X" a latch motor problem.

Code	Condition/Cause	Suggested Corrective Action
F10	Control has sensed a potential runaway oven condition. Control may have shorted relay, RTD sensor probe may have a gone bad.	Check RTD sensor probe and replace if necessary. If oven is overheating, disconnect power. If oven continues to overheat when power is reapplied, replace relay board and/or display board.
F11	Shorted Key: a key has been detected as pressed for a long period and will be considered a shorted key alarm and will terminate all oven activity.	<ol style="list-style-type: none"> <li>Press any key to clear the error.</li> <li>If fault returns, replace the keyboard (touch panel).</li> <li>If the problem persists, replace the display board.</li> </ol>
F13	Control's internal checksum may have become corrupted.	<ol style="list-style-type: none"> <li>Press any key to clear the error.</li> <li>Disconnect power, wait 30 seconds and reapply power. If fault returns upon power-up, replace display board.</li> </ol>
F14	Misconnected keyboard cable	<ol style="list-style-type: none"> <li>Verify connection between display board and touch panel (2 ribbon cables). Make sure the cables are well connected at both ends.</li> <li>If the cables are good, replace the touch panel.</li> <li>If the problem persists, replace the display board.</li> </ol>
F15	Controller self check failed.	<ol style="list-style-type: none"> <li>Verify if relay board receives 120VAC between J4 pin 1 and 3.</li> <li>Verify the wiring between J2 on the relay board and P16 on the display board.</li> <li>If wiring and 120VAC supply is good replace the display board.</li> <li>If problem persists replace the relay board.</li> </ol>
F20	The oven controller has detected a problem with the communication link to the surface element controller (ESEC).	<ol style="list-style-type: none"> <li>Is the ESEC User Interface Board powered on (are the surface element displays showing something)? If not, that is the reason why the oven control cannot communicate with it (ESEC has no power). Check the 120VAC voltage going in to the ESEC power supply board located in the front console (connector P1) and the low voltage supply going from the power supply board (connector P2) to the ESEC UIB (connector P8).</li> <li>Check connections between connector P2 on the oven controller and P9 on the ESEC UIB. This is the communication link. Verify for continuity. Refer to the wiring diagram.</li> <li>If the above steps failed to solve the problem, replace the ESEC UIB.</li> <li>If problem persists replace the oven controller.</li> </ol>
F23	The controller failed to communicate with the oven lights control board.	<ol style="list-style-type: none"> <li>Verify wiring between P2 on the display board and P2 on the oven lights control board.</li> <li>If wiring is good, replace oven lights board.</li> <li>If the problem persists, replace the display board.</li> </ol>
F30	Open RTD sensor probe/ wiring problem. Note: EOC may initially display an "F10", thinking a runaway condition exists.	<ol style="list-style-type: none"> <li>Check wiring in probe circuit for possible open condition.</li> <li>Check RTD resistance at room temperature (compare to probe resistance chart). If resistance does not match the chart, replace the RTD sensor probe.</li> </ol>
F31	Shorted RTD sensor probe / wiring problem.	<ol style="list-style-type: none"> <li>Let the oven cool down and restart the function.</li> <li>If the problem persists, replace the display board.</li> </ol> <p>Note: F30 or F31 is displayed when oven is in active mode or an attempt to enter an active mode is made.</p>
F43	The cooling fan speed, as read by the tachometer input of the EOC-display board, is abnormally too slow.	<ol style="list-style-type: none"> <li>Determine first if the problem appears to be caused by a cooling fan not turning or turning slowly or by a problem with the sensing of the fan speed. Start a Bake and check during the first 15 seconds if the fan is turning (should feel air flowing through the vent above the upper oven door).</li> <li>If the fan does not appear to be turning or turn slowly check the 120VAC at the fan. If 120VAC is present at the fan motor but the fan does not turn replace the fan motor. If 120VAC is not present at the fan motor when a Bake is started check the connection to the relay board (J3 pin 7) and Neutral: is there 120VAC on J3 pin 7? Does it reach the fan motor? Is the other terminal of the fan motor connected to Neutral? If the harness or relay board are faulty replace them.</li> <li>If the fan appears to be normally turning but an F43 error code is generated, it means there is a problem with the reading of the fan speed sensor. Make sure the connection of the fan speed sensor is properly made (refer to wiring diagram), between the sensor on the fan and the EOC- display board.</li> <li>For trouble-shooting purposes, it is possible to enter a test mode that will indicate on the display the reading of the fan speed in RPM: to enter the test mode, power-up the unit and within 30 seconds press and hold the upper oven Bake and Broil keys for 3 seconds (until you see all segments in the screen illuminated). Once in the test mode, pressing the upper oven Light key once will display the fan speed in RPM. In normal client mode the F43 error is generated for a fan speed below approximately 700 RPM.</li> </ol>
F44	The cooling fan speed, as read by the tachometer input of the EOC- display board, is abnormally too fast.	<ol style="list-style-type: none"> <li>Inspect the cooling fan. Does it appear to be turning normally (air flow, noise)? Verify the fan blade is well assembled.</li> <li>Verify there is nothing blocking the air flow of the fan (that could make the fan turn faster).</li> <li>Check the 120VAC voltage on the fan. A voltage higher than 120VAC + 10% could make it go too fast.</li> <li>Make sure the connection of the fan speed sensor is properly made (refer to wiring diagram), between the sensor on the fan and the EOC- display board.</li> <li>For trouble-shooting purposes, it is possible to enter a test mode that will indicate on the display the reading of the fan speed in RPM: to enter the test mode, power-up the unit and within 30 seconds press and hold the upper oven Bake and Broil keys for 3 seconds (until you see all segments in the screen illuminated). Once in the test mode, pressing the upper oven Light key once will display the fan speed in RPM. In normal client mode the F44 error is generated for a fan speed above approximately 2500 RPM.</li> <li>If problem persists replace both the fan+sensor assembly and the EOC- display board.</li> </ol>
F90	Door motor mechanism failure.	<ol style="list-style-type: none"> <li>Press any key to clear the error.</li> <li>If it does not eliminate the problem, turn off power for 30 seconds, then turn on power.</li> <li>Check wiring of Lock Motor, Lock Switch and Door Switch circuits.</li> <li>Unplug the lock motor from the board and apply power (L1) directly to the Lock Motor. If the motor does not rotate, replace Lock Motor Assembly.</li> <li>Check Lock Switch for proper operation (do they open and close, check with ohmmeter). The Lock Motor may be powered as in above step to open and close Lock Switch. If the Lock Switch is defective, replace Motor Lock Assembly.</li> <li>If all above steps fail to correct situation, replace the display board and/or the relay board in the event of a motor that does not rotate.</li> <li>If all the above steps fail to correct the situation, replace the display board in the event of a motor that rotates endlessly.</li> </ol>

## RELAY BOARD



## OVEN CONTROL



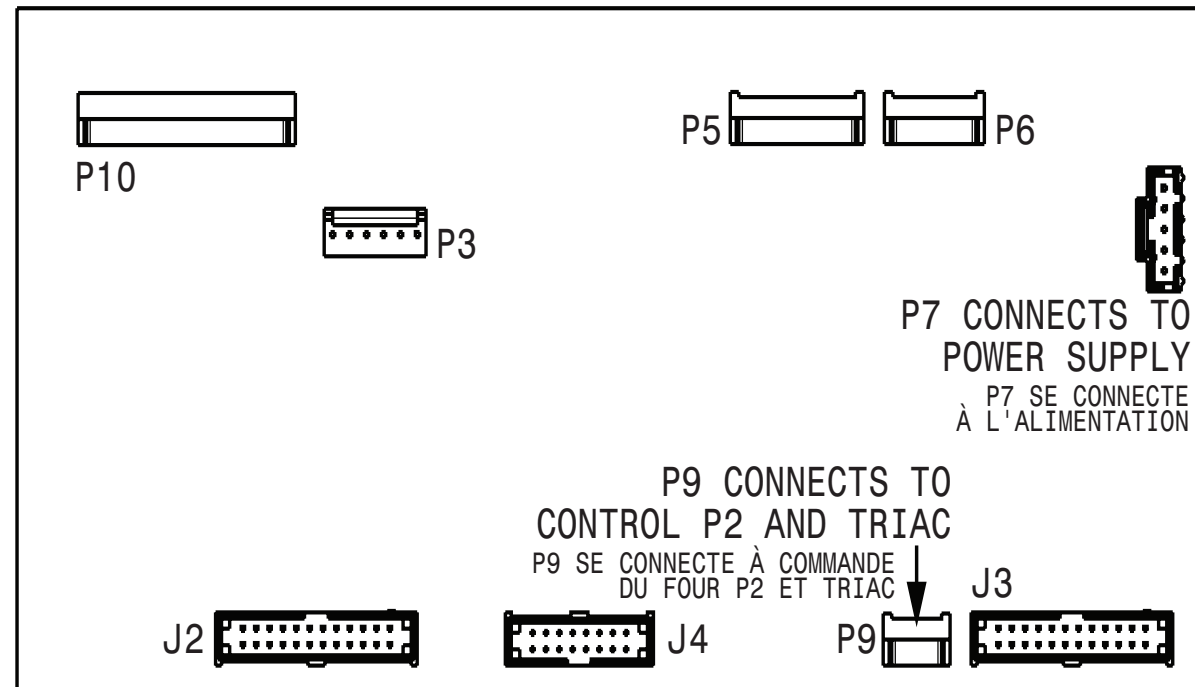
## RTD SCALE

Temperature °F (°C)	Resistance (ohms)
32 ± 1.9 (0 ± 1.0)	1000 ± 4.0
75 ± 2.5 (24 ± 1.3)	1091 ± 5.3
250 ± 4.4 (121 ± 2.4)	1453 ± 8.9
350 ± 5.4 (177 ± 3.0)	1654 ± 10.8
450 ± 6.9 (232 ± 3.8)	1852 ± 13.5
550 ± 8.2 (288 ± 4.5)	2047 ± 15.8
650 ± 9.6 (343 ± 5.3)	2237 ± 18.5
900 ± 13.6 (482 ± 7.5)	2697 ± 24.4
Probe circuit to case ground	Open circuit/infinite resistance

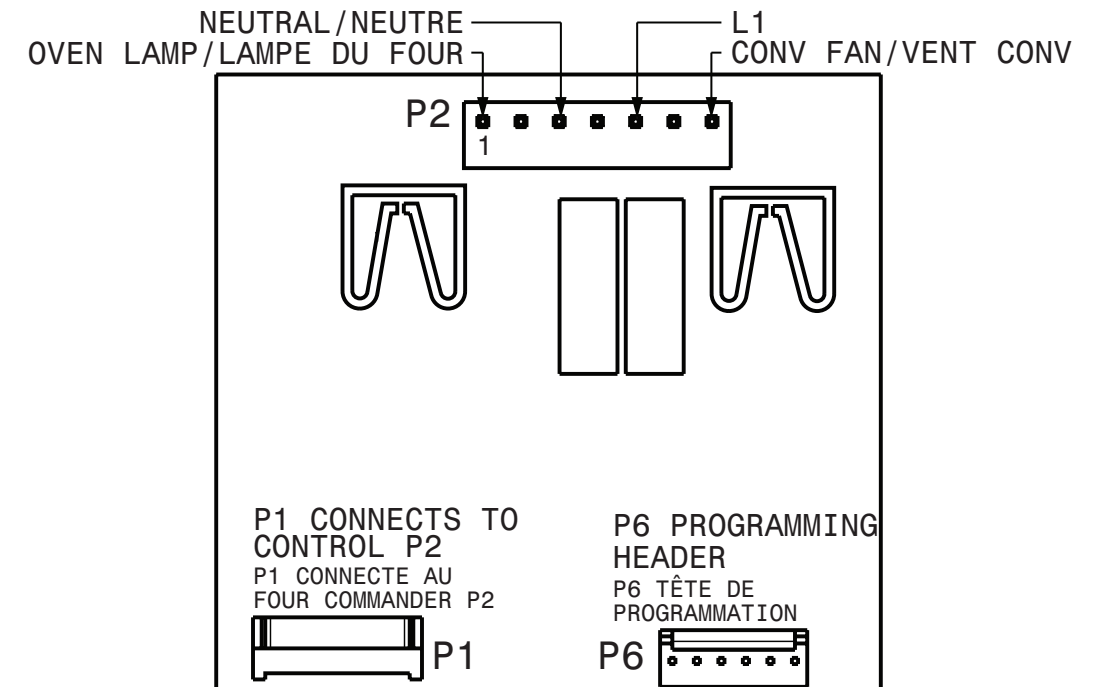
## MEAT PROBE TEMPERATURE VS RESISTANCE TABLE

Temperature	Probe Resistance
77 °F / 25°C	50.020 Kohm +/- 6%
122 °F / 50°C	18.020 Kohm +/- 5%
176 °F / 80°C	6.290 Kohm +/- 5%
212 °F / 100°C	3.400 Kohm +/- 5%

### USER INTERFACE BOARD (UIB)

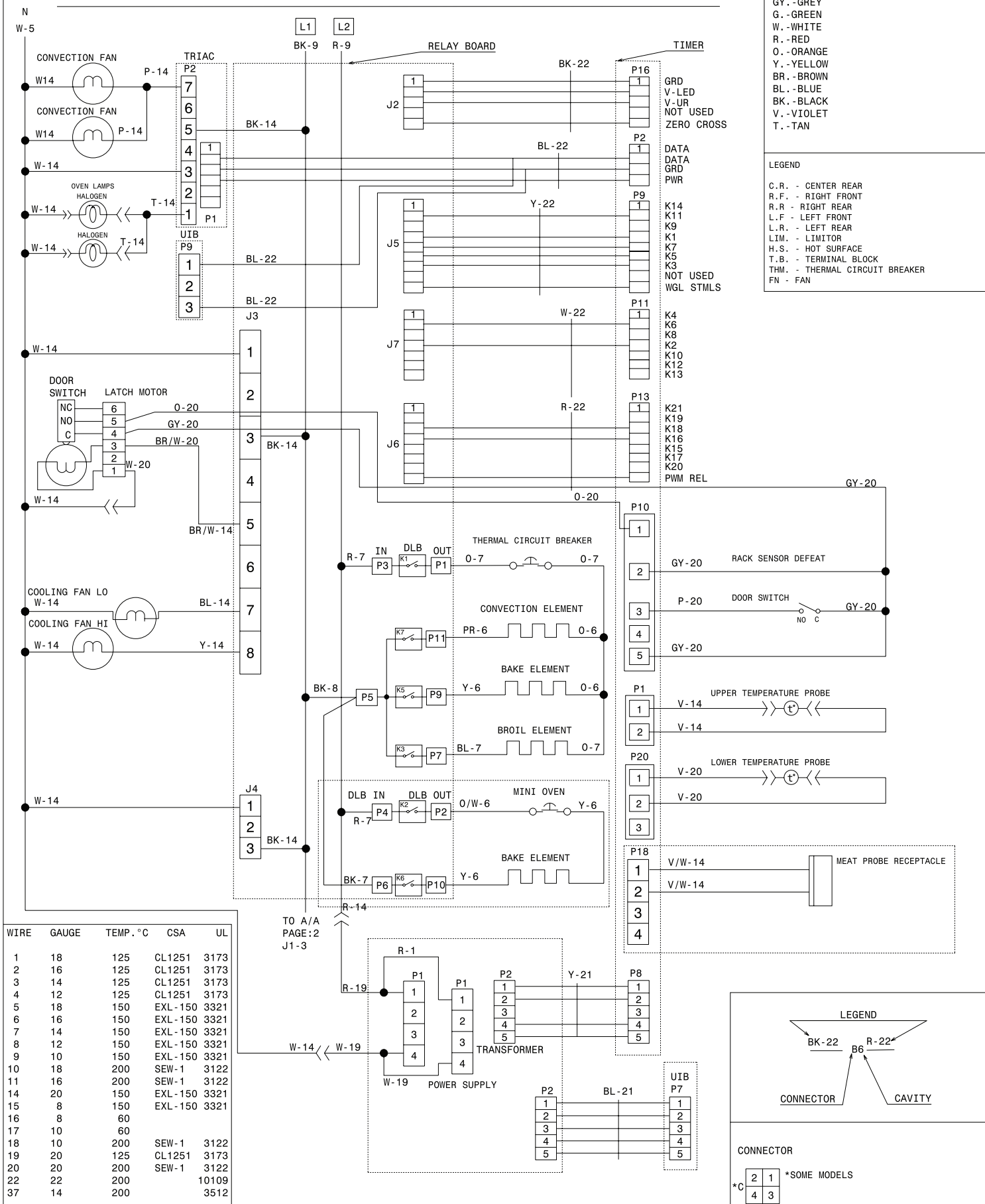


### TRIAC BOARD



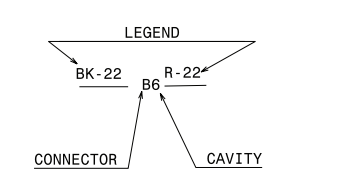
**IMPORTANT**  
**DO NOT REMOVE THIS BAG**  
**OR DESTROY THE CONTENTS**  
 WIRING DIAGRAMS AND SERVICE  
 INFORMATION ENCLOSED  
**REPLACE CONTENTS IN BAG**

# OVEN CIRCUIT



**COLOR CODE**  
 GY.-GREY  
 G.-GREEN  
 W.-WHITE  
 R.-RED  
 O.-ORANGE  
 Y.-YELLOW  
 BR.-BROWN  
 BL.-BLUE  
 BK.-BLACK  
 V.-VIOLET  
 T.-TAN

**LEGEND**  
 C.R. - CENTER REAR  
 R.F. - RIGHT FRONT  
 R.R. - RIGHT REAR  
 L.F. - LEFT FRONT  
 L.R. - LEFT REAR  
 LIM. - LIMITER  
 H.S. - HOT SURFACE  
 T.B. - THERMAL BLOCK  
 THM. - THERMAL CIRCUIT BREAKER  
 FN - FAN

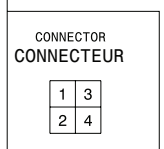
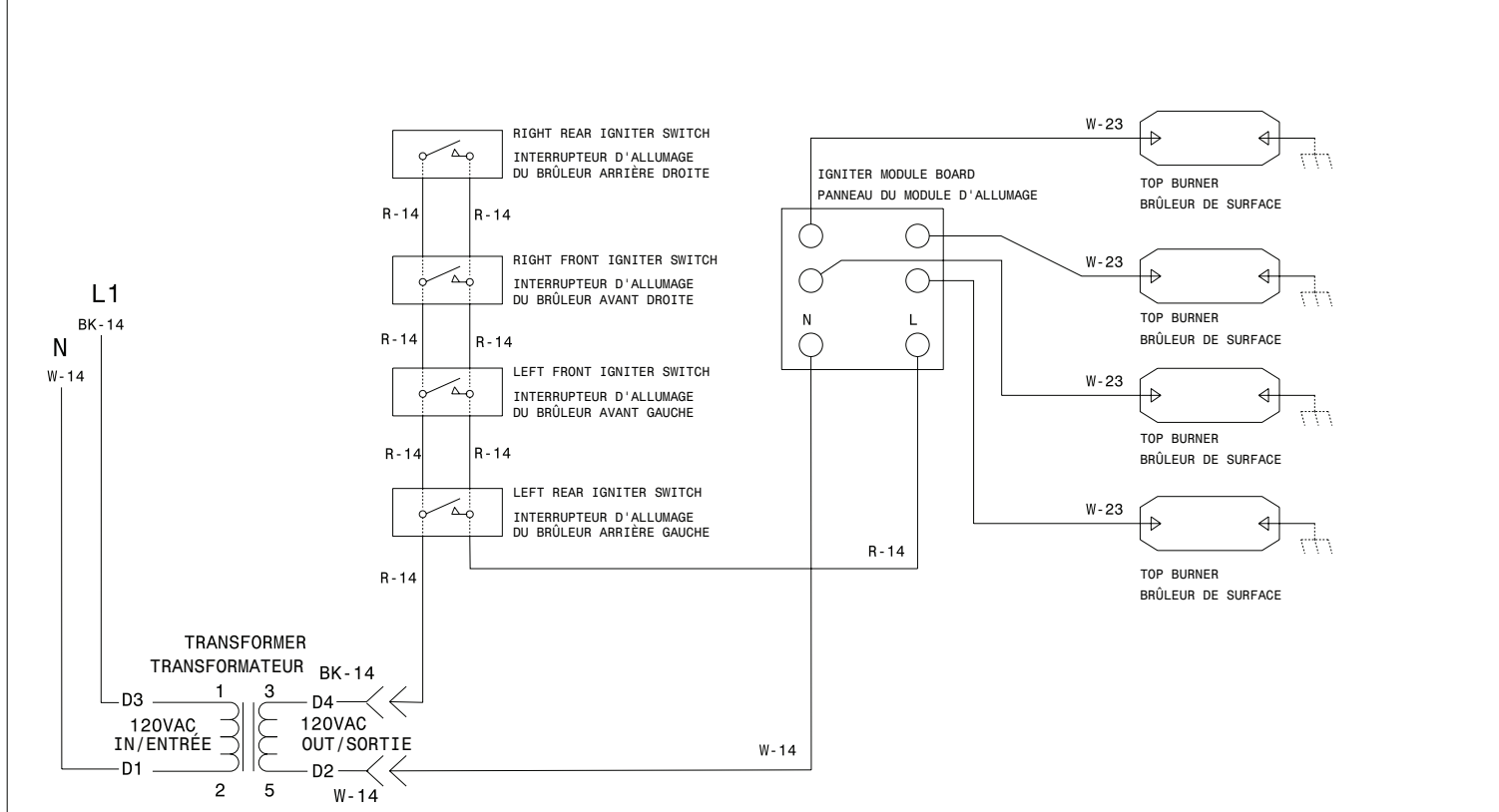


**CAUTION:** DISCONNECT POWER BEFORE SERVICING UNIT.  
 LABEL ALL WIRES PRIOR TO DISCONNECTION WHEN SERVICING CONTROLS.  
 WIRINGS ERRORS CAN CAUSE IMPROPER AND DANGEROUS OPERATION.  
 VERIFY PROPER OPERATION AFTER SERVICING.

**REV:**

**PAGE: 1 / 2**

# COOKTOP CIRCUIT CIRCUIT DE LA TABLE DE CUISSON



**CAUTION:** DISCONNECT POWER BEFORE SERVICING UNIT.  
 LABEL ALL WIRES PRIOR TO DISCONNECTION WHEN SERVICING CONTROLS.  
 WIRINGS ERRORS CAN CAUSE IMPROPER AND DANGEROUS OPERATION.  
 VERIFY PROPER OPERATION AFTER SERVICING.

**ATTENTION:** DÉBRANCHEZ L'APPAREIL AVANT DE PROCÉDER À LA RÉPARATION.  
 IDENTIFIEZ TOUS LES FILS AVANT DE LES DÉBRANCHER LORSQUE VOUS PROCÉDEZ À UNE RÉPARATION.  
 UNE ERREUR DE FILAGE PEUT CAUSER UN FONCTIONNEMENT INADÉQUAT ET/OU UNE SITUATION DANGEREUSE.  
 VÉRIFIEZ QUE L'APPAREIL FONCTIONNE CORRECTEMENT APRÈS LA RÉPARATION.

**REV:**

**PAGE: 2 / 2**

## FEUILLE DE DONNÉES D'ENTRETIEN

Cuisinières encastrables à alimentation mixte munis d'une commande de four électronique

**AVIS:** Cette feuille de données d'entretien est destinée aux personnes ayant reçu une formation en électricité et en mécanique, et qui possèdent un niveau de connaissance jugé acceptable dans l'industrie de réparation des appareils électroménagers. Le fabricant ne peut être tenu responsable, ni n'assumer aucune responsabilité, pour toute blessure ou dommage de quelque nature que ce soit pouvant résulter de l'utilisation de cette feuille de données.

**NOTE:** Cette unité comprend une commande électronique du four. Cette commande de four n'est pas réparable sur place.

#### PRATIQUES D'ENTRETIEN SÉCURITAIRES

Pour éviter tout risque de blessure et/ou dommage matériel, il est important que des pratiques d'entretien sécuritaires soient suivies. Voici quelques exemples de pratiques sécuritaires.

- N'essayez jamais de réparer un appareil si vous ne croyez pas avoir les compétences nécessaires pour le faire de manière satisfaisante et sécuritaire.
- Avant de procéder au service d'entretien ou de déplacer tout appareil ménager, débranchez le cordon d'alimentation de la prise électrique, réglez le disjoncteur de circuit à OFF, ou enlevez le fusible et fermez le robinet d'alimentation en gaz..
- N'entravez jamais l'installation adéquate de tout dispositif de sécurité.
- Utilisez que les pièces de remplacement énumérées dans le catalogue pour cet appareil. La moindre substitution risque de ne pas être conforme aux normes de sécurité établies pour les appareils électroménagers.
- Mise à la terre: La couleur de codage standard des conducteurs de mise à la terre de sécurité est verte ou verte à barres jaunes. Les conducteurs de mise à la terre ne doivent pas être utilisés comme conducteurs de courant. Il est d'une importance capitale que le technicien d'entretien complète toutes les mises à la terre de sécurité avant de terminer le service. Si cette recommandation n'est pas suivie à la lettre, il en résultera des risques pour les personnes et les biens.
- Avant de retourner le produit au service de réparation ou d'entretien, assurez-vous que:
  - Toutes les connexions électriques sont correctes et sécuritaires.
  - Tous les conducteurs électriques sont correctement préparés et placez de façon sécuritaire à l'abri des bords tranchants, des composants à température élevée, et des parties mobiles.
  - Toutes les bornes électriques, connecteurs, réchauffeurs, etc. dénudés sont espacés convenablement loin de toute pièce en métal et des panneaux.
  - Toutes les mises à la terre de sécurité (interne et externe) sont correctement et assemblées de façon sécuritaire.
  - Tous les panneaux sont correctement et fermement remontés.

#### CALIBRATION DU FOUR

Réglez le point de consigne pour une cuisson traditionnelle à 350°F (177°C). Laissez le four préchauffer à la température réglée. Mesurez la température moyenne du four après un minimum de 5 cycles. Appuyez sur CANCEL pour arrêter ou annuler la cuisson en tout temps.

#### Ajustement de la température du four

- Appuyez sur USER PREF jusqu'à ce que vous arriviez à la page UPO (four du haut).
- Pour sélectionner le four que vous voulez ajuster, appuyez sur USER PREF encore une fois pour changer à UPO dans l'écran du four du bas.
- Entrez la température désirée en appuyant sur les touches + hi ou - lo. La température peut seulement être ajustée de ± 35°F.
- Appuyez sur START pour accepter les changements et retourner au menu des préférences.

**Note:** Modifier la calibration affecte tous les modes de cuisson mais pas les modes de nettoyage et de grillage.

#### 2-VITESSE VENTILATEUR RAFRAÎCHISSANT

Les contrôleurs de four électronique dirige vitesse de le ventilateur rafraîchissant. Le ventilateur rafraîchissant activer à basse vitesse vitesse pendant une cuisson fonction, et il reste allumé jusqu'à ce que du four refroidir. Le haut débit activer pendant grillage (avec la porte ouverte) et pendant clean cycles seul quand la température est plus que approximativement 575°F/302°C.

<b>ANALYSE matrice inférieure FOUR</b>	Sur la carte de relais	
	<b>ÉLÉMENTS</b>	DLB L2 out (P2)
	cuire (P10)	
cuire	X	X
Garder au chaud	X	X

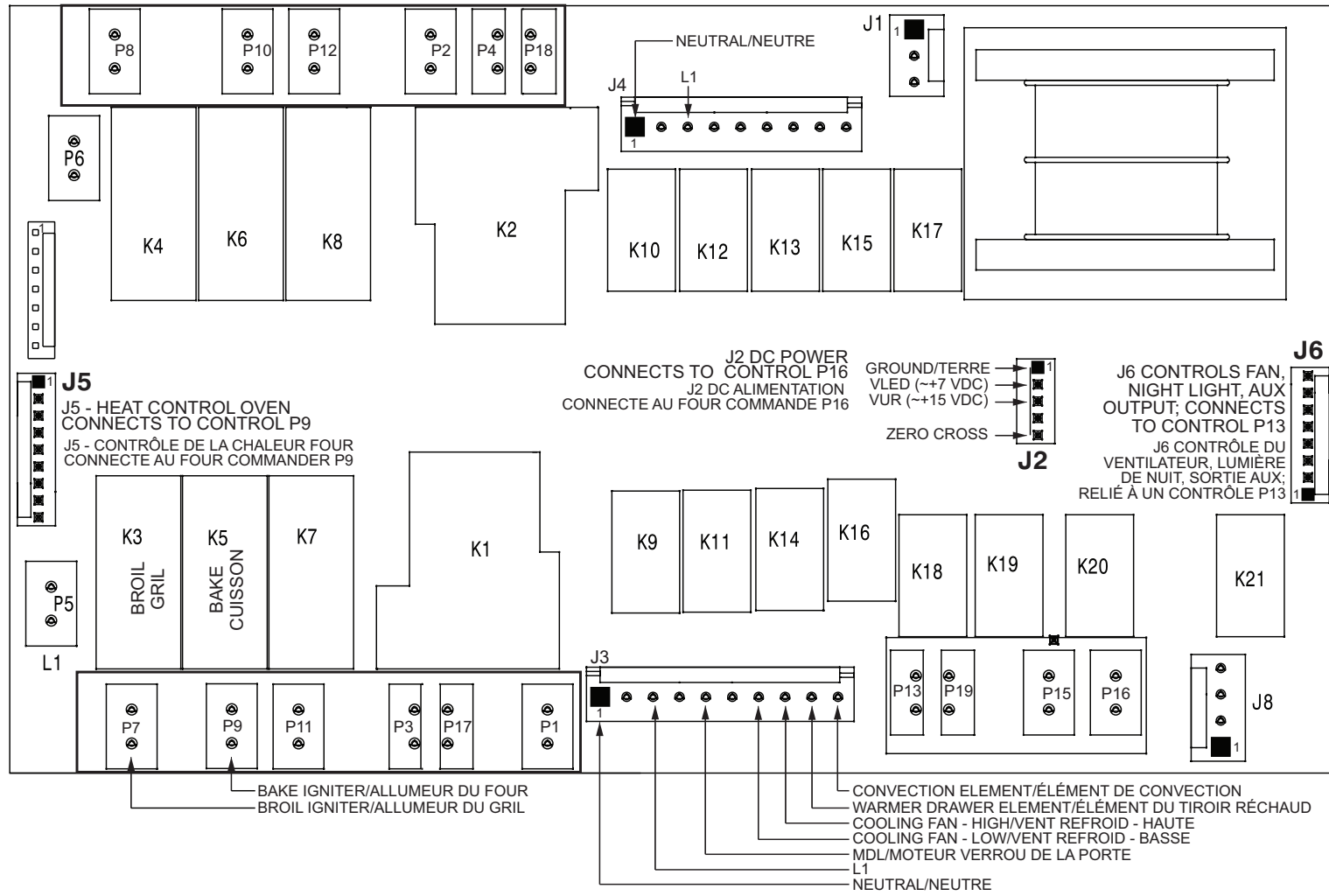
MATRICE D'ANALYSE DU CIRCUIT											
	Sur le Panneau Relais						Sur le Panneau TRIAC		Sur le Panneau D'Alimentation		
	Cuisson P9	Gril P7	Conv. P11	Moteur de porte J3-5	Vent de refroid basse J3-7	Vent de refroid haute J3-8	Vent. Conv. P2-7	Lampe du four P2-1	Interr de porte P10-3	Echec du sonde des grilles P10-2	
Cuisson	X	X	X*		X	X	X*				
Maintien chaud	X				X						
Gril		X			X	X					
Cuisson conv.	X	X	X		X	X	X**				
Rôtissage conv.	X	X	X		X	X	X				
Grillage conv.		X			X	X	X				
Nettoyage	X	X			X	X					
Verrouillage				X							
Verrouillé											
Deverrouillage				X							
Déverrouillé											
Lampe								X			
Porte ouverte								X			
Porte ferméé									X		
Pâte de pain	X				X						
Echec du sonde des grilles										X	
Le relais sera en opération dans ces conditions seulement					*L'élément de convection ainsi que le ventilateur sont en fonction pour la première élévation de la température						

**IMPORTANT**  
**N'ENLEVEZ PAS CE SAC OU NE DÉTRUISEZ PAS SON CONTENU**  
**CONTIENT LES SCHÉMAS DE CÂBLAGE ET LES INFORMATIONS DE RÉPARATION**  
**REMETTRE LE CONTENU**  
**DANS LE SAC**

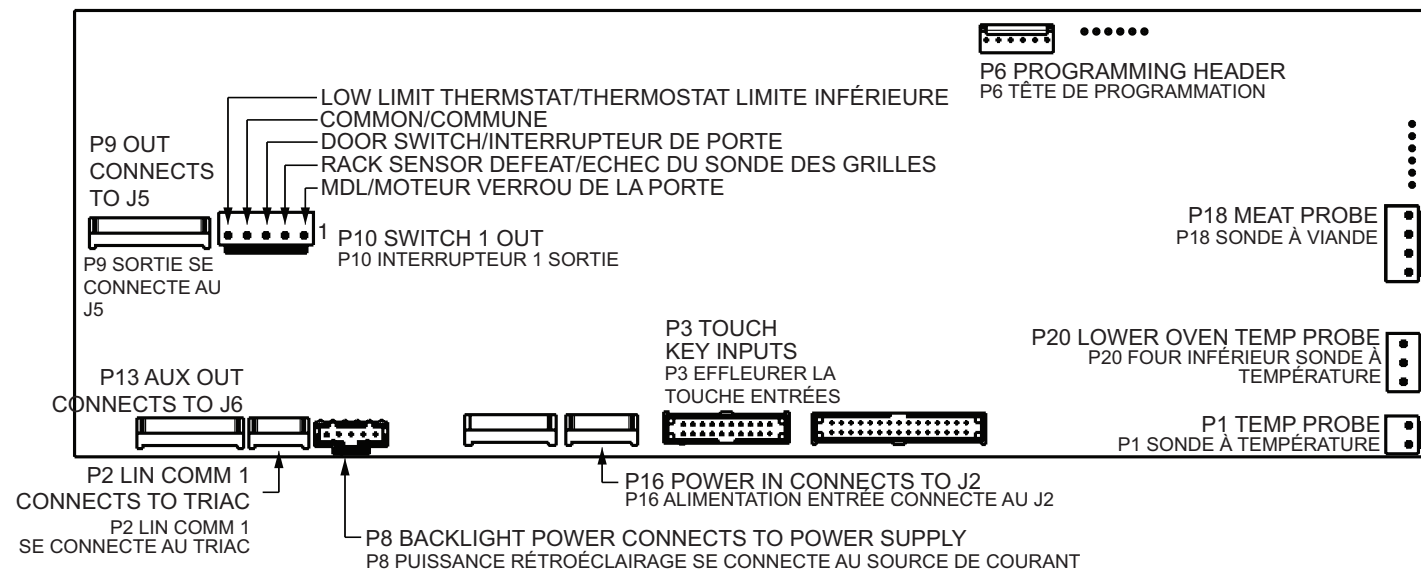
p/n 807880711 FR (Rev A 16/03)

DESCRIPTION DES CODES D'ERREUR DE LA COMMANDE DE FOUR		
Note: "F1X" indique des erreurs internes de la commande du four; "F3X", un problème avec la sonde du four et "F9x", un problème avec le moteur verrou.		
Code d erreur/État/Cause	Action corrective suggérée	
F10	La commande de four a décelé une condition d'emballlement possible. La commande présente un relais en court-circuit, (RTD) mauvais fonctionnement de la sonde.	Vérifiez la sonde RTD et remplacez-la si nécessaire. Si le four surchauffe, coupez le courant. S'il continue de surchauffer une fois le courant rétabli, remplacez le panneau de relais et/ou le panneau d'affichage.
F11	Touches en court-circuit: si une touche a été détectée comme enfoncée durant une longue période de temps on la considère comme court-circuitée et une alarme termine toute activité	1) Appuyez sur une touche pour effacer le code d'erreur. 2) Si le code réapparaît, remplacez le panneau de commande (clavier). 3) Si le problème persiste, remplacez le panneau d'affichage.
F13	La mémoire interne du contrôle est corrompue.	1) Appuyez sur une touche pour effacer le code d'erreur. 2) Débranchez l'appareil, attendez 30 secondes et rebranchez l'appareil. Si le problème réapparaît lors du branchement, changez le panneau d'affichage.
F14	Câble du clavier mal connecté	1) Vérifiez les connexions entre le panneau d'affichage et le clavier (2 câbles ruban). Assurez-vous que les câbles sont bien connectés à chaque extrémité. 2) Si les câbles sont intacts, remplacez le clavier. 3) Si le problème persiste, remplacez le panneau d'affichage.
F15	Problème avec l'auto vérification du contrôleur	1) Un code F15 de la commande du four peut indiquer que la commande ne reçoit pas le signal de synchronisation de la plaque relais. Une façon facile de déterminer cela est de débrancher l'appareil, rebrancher-le et démarrer un chronomètre de 1 minute avant que le F15 s'affiche. Si la minuterie fonctionne normalement, la synchronisation a été faite correctement. Si 1:00 demeure affiché et que le compte à rebours ne démarre pas, la synchronisation a échoué. Si la synchronisation a échoué, vérifiez en premier si la plaque relais reçoit 120V correctement (J4 tiges 1 et 3), par la suite, vérifiez le filage entre le connecteur J2 de la plaque relais et le connecteur P16 de la commande du four. Si le courant AC et le filage sont corrects et que le problème est encore présent, remplacez la plaque relais. Si le problème persiste, remplacez la commande de four. 2) Le code F15 peut être causé par un défaut de la commande du four. Si le signal de synchronisation a été vérifié et testé bon, remplacez la commande du four.
F20	Commande du four a détecté un problème de communication avec les contrôleurs d'éléments (ESEC)	1) Est-ce que la plaque de l'interface usager ESEC fonctionne (est-ce que les écrans affichent quelque chose?) Si non, c'est pour cela que la commande ne peut communiquer avec (ESEC n'est pas sous tension). Vérifier la voltage 120VAC à l'entrée de la plaque d'alimentation de l'ESEC située sur le devant de la console (connecteur P1) et le bas voltage provenant de la plaque d'alimentation (connecteur P2) à l'interface usager du ESEC (connecteur P7). 2) Vérifier les connexions entre le connecteur P2 de la commande du four et P9 de l'interface usager du ESEC. Ceci est le lien de communication. Vérifier s'il y a du courant. Référer au schéma de câblage. 3) Si toutes les étapes précédentes n'ont pas réglées le problème, remplacez l'interface usager du ESEC. 4) Si le problème persiste toujours, remplacez la commande du four.
F23	Le contrôleur a manqué sa communication avec le panneau du ventilateur de convection et des lumières.	1) Vérifiez le filage entre P2 sur le panneau d'affichage et P2 sur le panneau du ventilateur de convection et lumières. 2) Si les fils sont bons, remplacez le panneau du ventilateur. 3) Si le problème persiste, remplacez le panneau d'affichage.
F30: Problème avec le filage de sonde/filage ouvert (F30) ou Note: La commande de four affichera initialement le code "F10", cela signifie qu'il décèle l'existence d'une condition d'emballlement.	1) Vérifiez le filage du circuit de la sonde, il est peut-être ouvert ou coupé. 2) Vérifiez la résistance RTD à la température de la pièce (comparez les données au tableau). Si celle-ci ne concorde pas, remplacez la sonde (RTD). 3) Laissez refroidir le four et redémarrez la fonction. 4) Si le problème persiste, remplacez le panneau d'affichage.	
F31 Court-circuit (F31) RTD problème sonde/filage. Note: Si F30 ou F31 s'affiche lorsque le four est actif ou lorsqu'il est en train d'entrer dans un mode actif.		
F43	La vitesse du ventilateur de refroidissement, lue par l'entrée du tachymètre du conseil EOC-affichage, est anormalement trop lent.	1) Déterminez d'abord si le problème semble être causé par un ventilateur de refroidissement ne tourne pas ou tourne lentement ou par un problème avec la détection de la vitesse du ventilateur. Démarrer une cuisson et vérifier au cours des 15 premières secondes si le ventilateur tourne (doit se sentir l'air se écoulant à travers l'évent dessus de la porte du four supérieur). 2) Si le ventilateur ne semble pas être de tourner ou de tourner lentement le 120VAC vérifier au niveau du ventilateur. Si 120VAC est présent au niveau du moteur de ventilateur, mais le ventilateur ne tourne pas remplacer le moteur du ventilateur. Si 120VAC ne est pas présent sur le moteur du ventilateur quand un Cuire est démarré vérifier la connexion à la carte de relais (J3 broche 7) et neutre: il est 120VAC sur la broche J3 7? Est-il atteindre le moteur du ventilateur? Est l'autre borne du moteur du ventilateur connecté à Neutre? Si le harnais ou carte de relais sont défectueux remplacer. 3) Si le ventilateur semble être normalement tourner, mais un code d'erreur de F43 est générée, cela signifie qu'il ya un problème avec la lecture du capteur de vitesse du ventilateur. Assurez-vous que la connexion du capteur de vitesse du ventilateur est correctement établie (cf. schéma de câblage), entre le capteur sur le ventilateur et le tableau d'affichage EOC. 4) Aux fins de dépannage, il est possible d'entrer dans un mode de test qui indiquera à l'écran la lecture de la vitesse du ventilateur en RPM: pour entrer dans le mode de test, la mise sous tension de l'appareil et à moins de 30 secondes, appuyez et maintenez le four supérieur cuisson et de gril touches pour 3 secondes (jusqu'à ce que vous voyez tous les segments de l'écran allumé). Une fois dans le mode de test, appuyez sur la touche Lumière four supérieur affichera une fois la vitesse du ventilateur dans RPM. En mode normal, le client d'erreur F43 est générée pour une vitesse du ventilateur en dessous d'environ 700 tours par minute.
F44	La vitesse du ventilateur de refroidissement, lue par l'entrée du tachymètre du tableau d'affichage EOC, est anormalement trop rapide.	1) Inspectez le ventilateur de refroidissement. Il ne semble se tourner normalement (flux d'air, bruit)? Vérifiez la pale de ventilateur est bien assemblé. 2) Vérifiez que rien ne bloque le flux d'air du ventilateur (qui pourrait faire tourner le ventilateur plus rapide). 3) Vérifiez la tension 120VAC sur le ventilateur. Une tension supérieure à 120VAC + 10% pourrait faire aller trop vite. 4) Assurez-vous que la connexion du capteur de vitesse du ventilateur est correctement établie (cf. schéma de câblage), entre le capteur sur le ventilateur et le tableau d'affichage EOC. 5) Aux fins de dépannage, il est possible d'entrer dans un mode de test qui indiquera à l'écran la lecture de la vitesse du ventilateur en RPM: pour entrer dans le mode de test, la mise sous tension de l'appareil et à moins de 30 secondes, appuyez et maintenez le four supérieur cuisson et de gril touches pour 3 secondes (jusqu'à ce que vous voyez tous les segments de l'écran allumé). Une fois dans le mode de test, appuyez sur la touche Lumière four supérieur affichera une fois la vitesse du ventilateur dans RPM. En mode client normale l'erreur F44 est généré pour une vitesse de ventilateur au-dessus d'environ 2500 RPM. 6) Si le problème persiste, remplacer le ventilateur + capteur assemblage et le tableau d'affichage EOC.
F90	F90 Système de verrouillage de porte défectueux	1) Appuyez sur une touche pour effacer le code d'erreur. 2) Si cette étape n'élimine pas le problème, coupez le courant pendant 30 secondes et redémarrez l'appareil. 3) Vérifiez le filage du moteur verrou, de l'interrupteur verrou et le circuit de l'interrupteur de la porte. 4) Débranchez le moteur verrou, appliquez du courant (L1) directement au moteur verrou, si le moteur ne fonctionne pas, remplacez l'assemblage. 5) Vérifiez si l'interrupteur verrou A fonctionne adéquatement (Est-ce qu'il permet d'ouvrir et de fermer, vérifiez avec un ohm mètre). Le moteur verrou doit être réactivé tel qu'indiqué à l'étape précédente afin que l'interrupteur s'ouvre et se ferme. Si l'interrupteur verrou est défectueux, remplacez-le. 6) Si toutes les étapes mentionnées ci haut échouent, remplacez le panneau de relais ou le panneau électronique analogique dans le cas ou le moteur verrou ne tourne pas. 7) Si toutes les étapes mentionnées ci haut échouent, remplacez le panneau électronique analogique dans le cas où le moteur verrou tourne trop faiblement.

## RELAY BOARD/PANNEAU DE RELAIS



## OVEN CONTROL/ COMMANDE DU FOUR



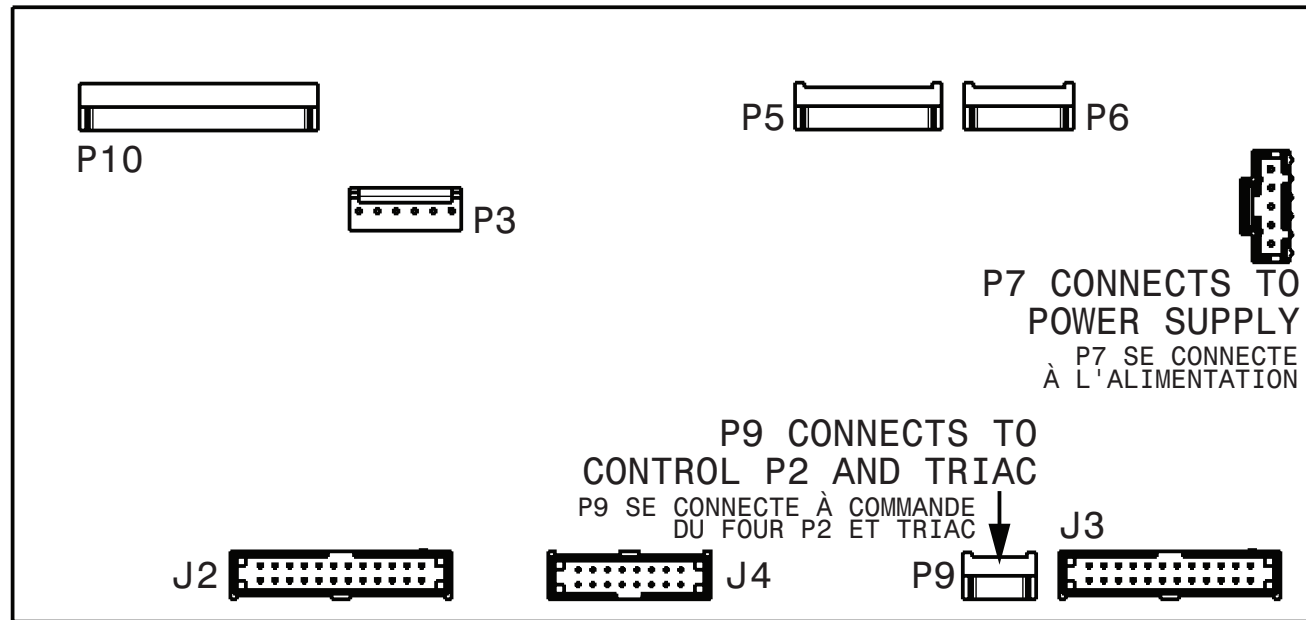
## ÉCHELLE DU DÉTECTEUR DE TEMPÉRATURE À RÉSISTANCE

Température °F (°C)	Résistance (ohms)
32 ± 1,9 (0 ± 1,0)	1 000 ± 4,0
75 ± 2,5 (24 ± 1,3)	1 091 ± 5,3
250 ± 4,4 (121 ± 2,4)	1 453 ± 8,9
350 ± 5,4 (177 ± 3,0)	1 654 ± 10,8
450 ± 6,9 (232 ± 3,8)	1 852 ± 13,5
550 ± 8,2 (288 ± 4,5)	2 047 ± 15,8
650 ± 9,6 (343 ± 5,3)	2 237 ± 18,5
900 ± 13,6 (482 ± 7,5)	2 697 ± 24,4
Circuit de la sonde mise à la terre à la caisse	Circuit ouvert/résistance infinie

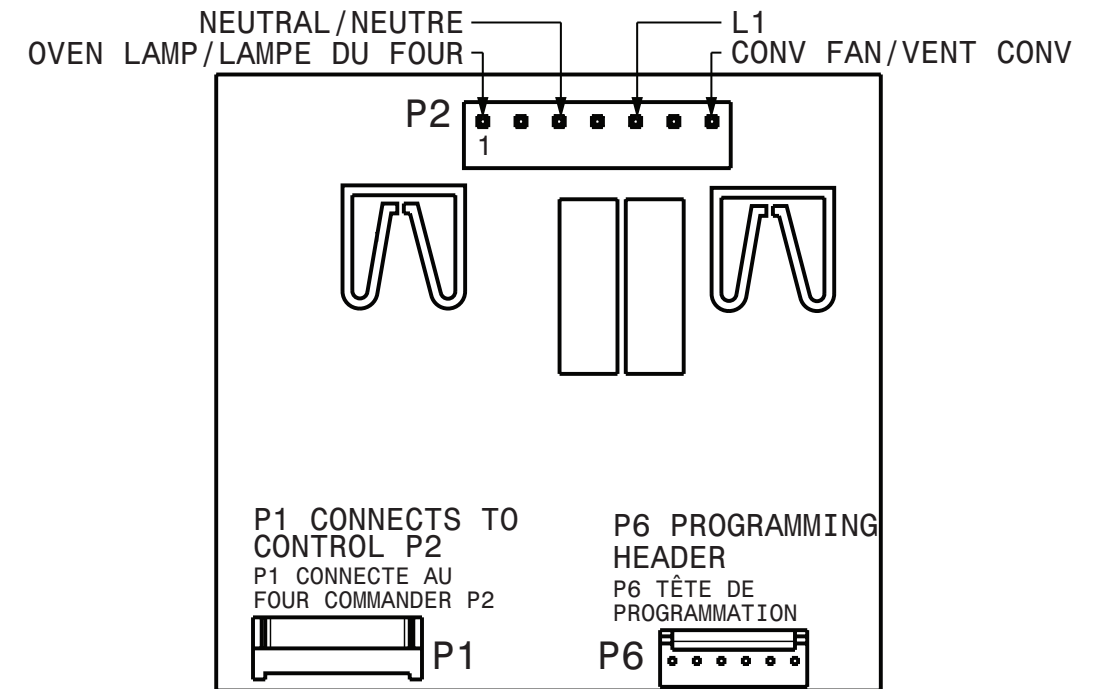
## TABLEAU DE TEMPÉRATURE DE LA SONDÉ vs SA RÉSISTANCE

Temperature	Résistance
77 °F / 25°C	50.020 Kohm +/- 6%
122 °F / 50°C	18.020 Kohm +/- 5%
176 °F / 80°C	6.290 Kohm +/- 5%
212 °F / 100°C	3.400 Kohm +/- 5%

**USER INTERFACE BOARD (UIB)/ PLAQUETTE D'INTERFACE DE UTILISATEUR (UIB)**

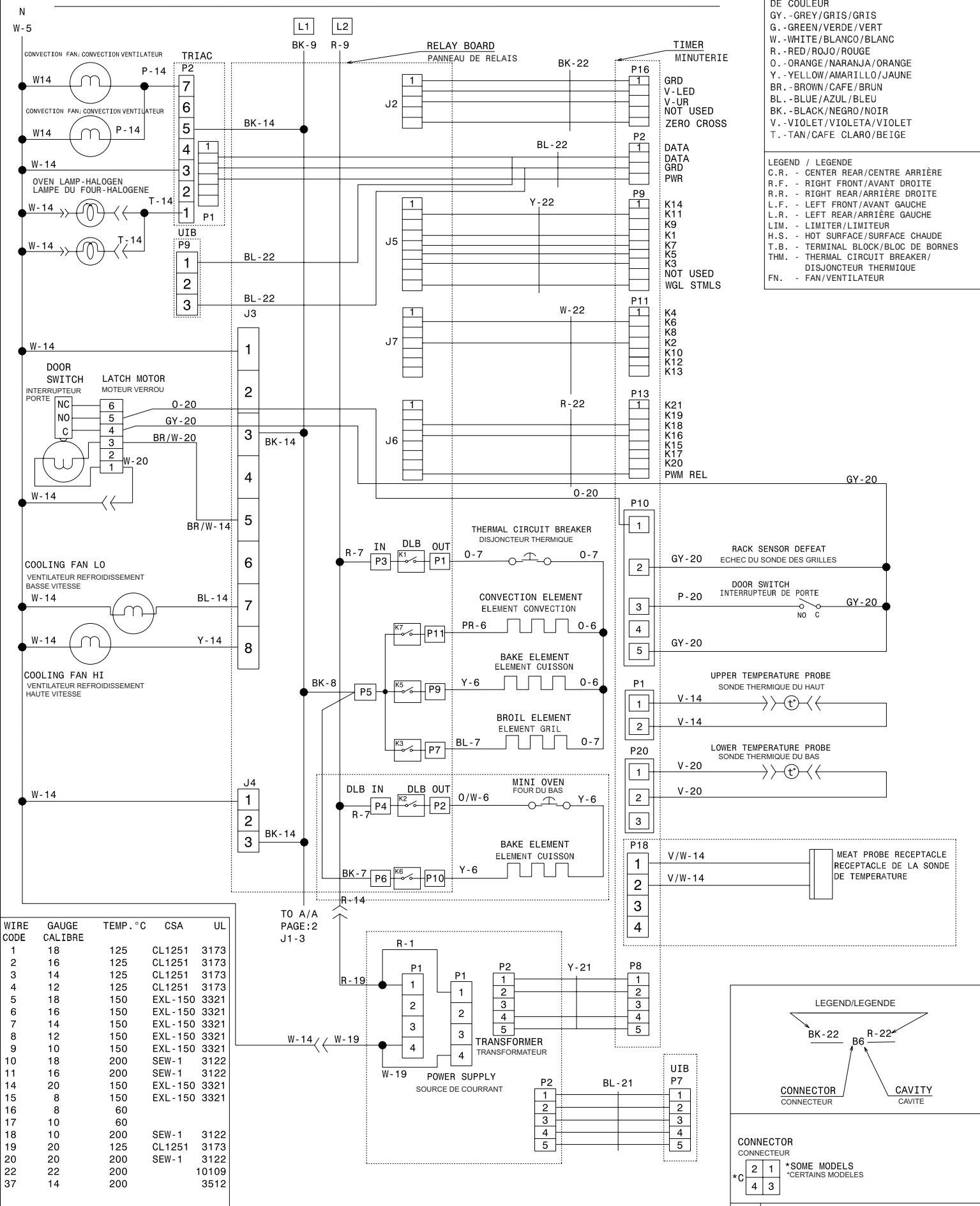


**TRIAC BOARD**



**IMPORTANT**  
**N'ENLEVEZ PAS CE SAC OU NE DÉTRUISEZ PAS SON CONTENU**  
 CONTIENT LES SCHÉMAS DE CÂBLAGE ET LES INFORMATIONS DE RÉPARATION  
**REMETTRE LE CONTENU DANS LE SAC**

OVEN CIRCUIT / CIRCUIT DU FOUR



COLOR CODE/CODIGOS DE COLOR/CODE DE COULEUR  
 GY.- GREY/GRIS/GRIS  
 G.- GREEN/VERDE/VERT  
 W.- WHITE/BLANCO/BLANC  
 R.- RED/ROJO/ROUGE  
 O.- ORANGE/NARANJA/ORANGE  
 Y.- YELLOW/AMARILLO/JAUNE  
 BR.- BROWN/CAFE/BRUN  
 BL.- BLUE/AZUL/BLEU  
 BK.- BLACK/NEGRO/NOIR  
 V.- VIOLET/VIOLETA/VIOLET  
 T.- TAN/CAFE CLARO/BEIGE

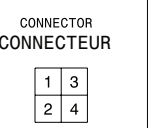
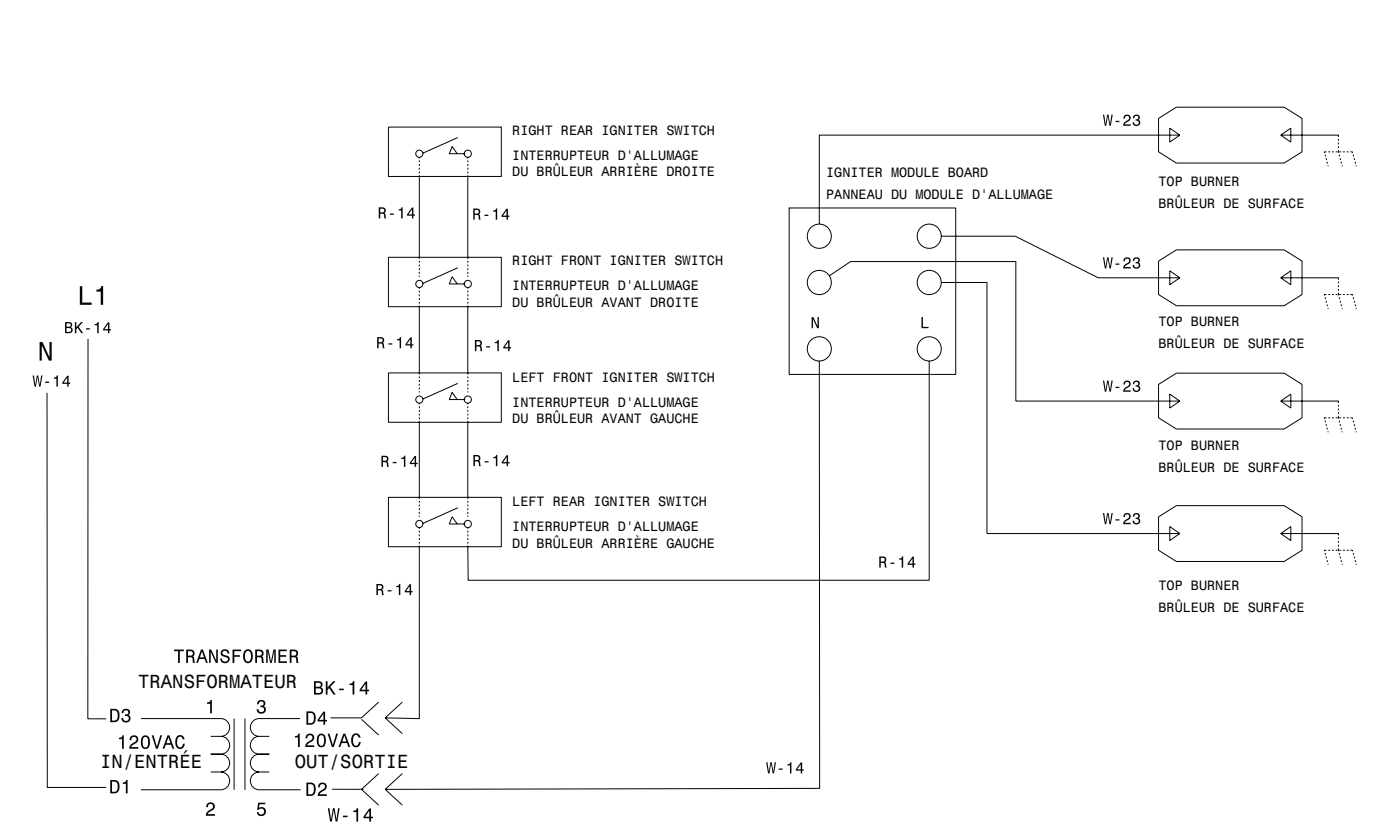
LEGEND / LEGENDE  
 C.R. - CENTER REAR/CENTRE ARRIERE  
 R.F. - RIGHT FRONT/AVANT DROITE  
 R.R. - RIGHT REAR/ARRIERE DROITE  
 L.F. - LEFT FRONT/AVANT GAUCHE  
 L.R. - LEFT REAR/ARRIERE GAUCHE  
 LIM. - LIMITER/LIMITEUR  
 H.S. - HOT SURFACE/SURFACE CHAUDE  
 T.B. - TERMINAL BLOCK/BLOC DE BORNES  
 THM. - THERMAL CIRCUIT BREAKER/DISJONCTEUR THERMIQUE  
 FN. - FAN/VENTILATEUR

WIRE CODE	GAUGE CALIBRE	TEMP. °C	CSA	UL
1	18	125	CL1251	3173
2	16	125	CL1251	3173
3	14	125	CL1251	3173
4	12	125	CL1251	3173
5	18	150	EXL-150	3321
6	16	150	EXL-150	3321
7	14	150	EXL-150	3321
8	12	150	EXL-150	3321
9	10	150	EXL-150	3321
10	18	200	SEW-1	3122
11	16	200	SEW-1	3122
14	20	150	EXL-150	3321
15	8	150	EXL-150	3321
16	8	60		
17	10	60		
18	10	200	SEW-1	3122
19	20	125	CL1251	3173
20	20	200	SEW-1	3122
22	22	200		10109
37	14	200		3512

ATTENTION: COUPEZ L'ALIMENTATION AVANT D'EFFECTUER LA REPARATION.  
 IDENTIFIEZ TOUS LES FILS AVANT DE LES DEBRANCHER QUAND L'APPAREIL EST HORS SERVICE.  
 LES ERREURS DE CONNEXION DE FILS PEUVENT CAUSER UN MAL FONCTIONNEMENT ET UN DANGER D'USAGE DE L'APPAREIL.  
 VERIFIEZ LE BON FONCTIONNEMENT DE L'APPAREIL APRES LE SERVICE.

REV: \_\_\_\_\_

COOKTOP CIRCUIT / CIRCUIT DE LA TABLE DE CUISSON



CAUTION: DISCONNECT POWER BEFORE SERVICING UNIT.  
 LABEL ALL WIRES PRIOR TO DISCONNECTION WHEN SERVICING CONTROLS.  
 WIRINGS ERRORS CAN CAUSE IMPROPER AND DANGEROUS OPERATION.  
 VERIFY PROPER OPERATION AFTER SERVICING.

ATTENTION: DEBRANCHEZ L'APPAREIL AVANT DE PROCEDER A LA REPARATION.  
 IDENTIFIEZ TOUS LES FILS AVANT DE LES DEBRANCHER LORSQUE VOUS PROCEDEZ A UNE REPARATION.  
 UNE ERREUR DE FILAGE PEUT CAUSER UN FONCTIONNEMENT INADEQUAT ET/OU UNE SITUATION DANGEREUSE.  
 VERIFIEZ QUE L'APPAREIL FONCTIONNE CORRECTEMENT APRES LA REPARATION.

REV: \_\_\_\_\_