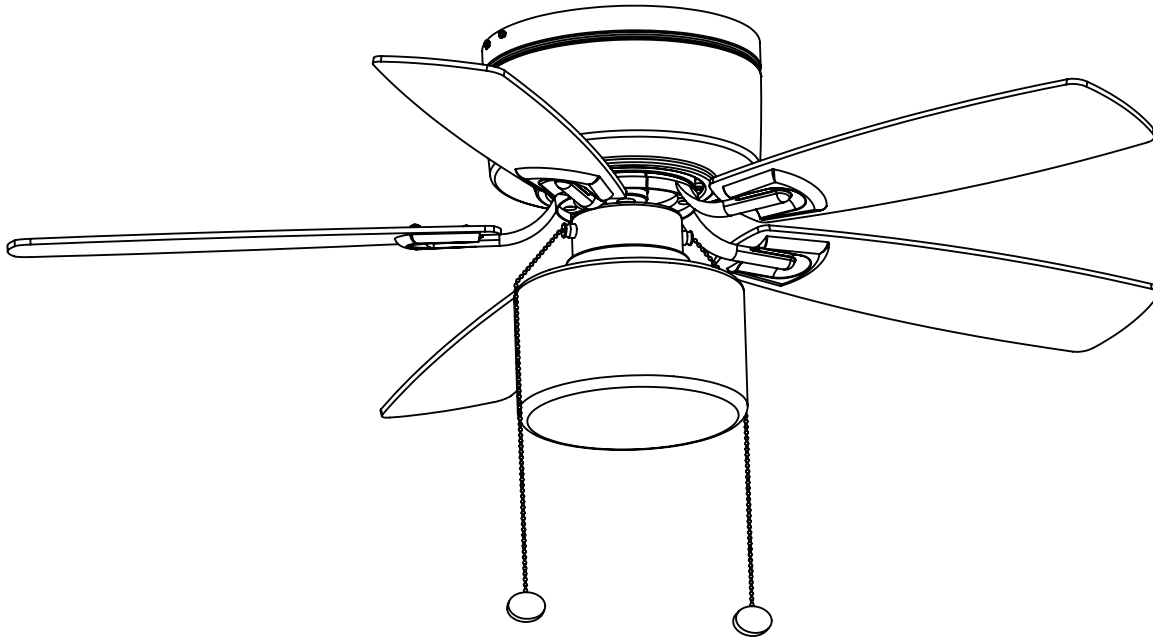


**Model # RH5H1-ORB/RH5H1-BN**

# USE AND CARE GUIDE

---

## 42 IN. CEILING FAN



**An electronic copy of this user manual can also be obtained online at  
[homedepot.com](http://homedepot.com)**

# Table of Contents

Table of Contents .....	2	Pre-Installation .....	4
Safety Information .....	2	Operation .....	10
Warranty .....	3	Care and Cleaning .....	11
		Troubleshooting .....	11

# Safety Information

## PLEASE READ AND SAVE THESE INSTRUCTIONS.

1. To reduce the risk of electric shock, ensure electricity has been turned off at the circuit breaker or fuse box before beginning.
2. All wiring must be in accordance with the National Electrical Code, ANSI/NFPA 70, and local electrical codes. Electrical installation should be performed by a qualified licensed electrician.
3. The outlet box and support structure must be securely mounted and capable of reliably supporting a minimum of 35 pounds. Use only UL Listed outlet boxes marked "FOR FAN SUPPORT."
4. Do not operate the reversing switch while the fan blades are in motion. The fan must be turned off and blades stopped before reversing blade direction
5. Avoid placing objects in the path of the blades. To avoid personal injury or damage to the fan and other items, be cautious when working around or cleaning the fan
6. Do not use water or detergents when cleaning the fan or fan blades. A dry dust cloth or lightly dampened cloth will be suitable for most cleaning.
7. After making electrical connections, spliced conductors should be turned upward and pushed carefully up into the outlet box. The wire should be spread apart with the grounded conductor and the equipment-grounding conductor on one side of the outlet box. Splices after being made should be turned upward and pushed carefully up into the outlet box.
8. Electrical diagrams are for reference only. Light kits that are not packed with the fan must be UL Listed and marked suitable for use with the model fan you are installing. Switches must be UL General Use Switches. Refer to the instructions packaged with the light kits and switches for proper assembly.



**WARNING:** Before servicing or cleaning unit, switch power off at service panel, and lock service disconnecting means to prevent power from being switched on accidentally. When the service disconnecting means cannot be locked, securely fasten a prominent warning.



**WARNING:** To reduce the risk of fire, electric shock or personal injury, mount to an outlet box acceptable for fan support of 15.9 Kg (35 lbs) or less. Use mounting screws provided with the outlet box. Most outlet boxes commonly used for the support of lighting fixtures are not acceptable for fan support and may need to be replaced. Consult a qualified electrician if in doubt.



**WARNING:** To reduce the risk of personal injury, do not bend the blade brackets when installing the brackets, balancing the blades, or cleaning the fan. Do not insert foreign objects in between rotating fan blades.



**WARNING:** To reduce the risk of fire or electric shock, do not use this fan with any solid-state speed control device.



**CAUTION:** To reduce the risk of injury to person, the fan must be mounted with a minimum of 7 feet clearance from the trailing edge of the blades to the floor.

# Warranty

## LIMITED WARRANTY

### WHAT IS COVERED

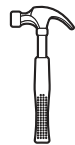
The retailer warrants the fan motor to be free from defects in workmanship and material present at time of shipment from the factory for a period of lifetime after the date of purchase by the original purchaser. The retailer also warrants that all other fan parts, excluding any glass or acrylic blades, to be free from defects in workmanship and material at the time of shipment from the factory for a period of one year after the date of purchase by the original purchaser. We agree to correct such defects without charge or at our option replace with a comparable or superior model if the product is returned to the retailer. To obtain warranty service, you must present a copy of the receipt as proof of purchase. All costs of removing and reinstalling the product are your responsibility. Damage to any part such as by accident or misuse or improper installation or by affixing any accessories, is not covered by this warranty. Because of varying climatic conditions this warranty does not cover any changes in brass finish, including rusting, pitting, corroding, tarnishing or peeling. Brass finishes of this type give their longest useful life when protected from varying weather conditions. A certain amount of "wobble" is normal and should not be considered a defect. Servicing performed by unauthorized persons shall render the warranty invalid. There is no other express warranty. The retailer hereby disclaims any and all warranties, including but not limited to. Those of merchantability and fitness for a particular purpose to the extent permitted by law. The duration of any implied warranty which cannot be disclaimed is limited to the time period as specified in the express warranty. Some states do not allow limitation on how long an implied warranty lasts, so the above limitation may not apply to you. The retailer shall not be liable for incidental, consequential, or special damages arising out of or in connection with product use or performance except as may otherwise be accorded by law. Some states do not allow the exclusion of incidental or consequential damages, so the above exclusion or limitation may not apply to you. This warranty gives specific legal rights, and you may also have other rights which vary from state to state. This warranty supersedes all prior warranties. Shipping costs for any return of product as part of a claim on the warranty must be paid by the customer.

# Specifications

Fan Size	Speed	Volts	Amps	Watts	RPM	CFM	N.W.	G.W.	C.F.
42 in.	Low	120	N/A	12	85	1430	4.8 kg	5.4 kg	1.0
	Med	120	N/A	28	140	2163			
	High	120	N/A	45	180	2737			

# Pre-Installation

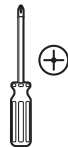
## TOOLS REQUIRED



Claw hammer



Safety goggles

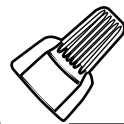


Phillips screwdriver

## HARDWARE INCLUDED



AA



BB

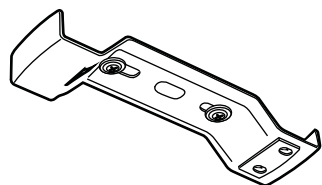
Part	Description	Quantity
AA	Machine Screws	16
BB	Wire Nuts	3

# Pre-Installation (continued)

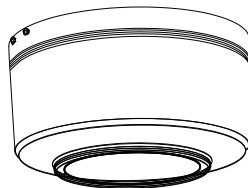
## PACKAGE CONTENTS



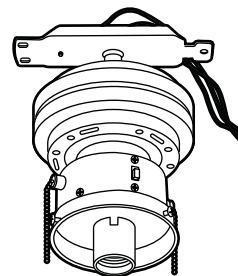
**NOTE:** Unpack your fan and check the contents. You should have the following items listed below



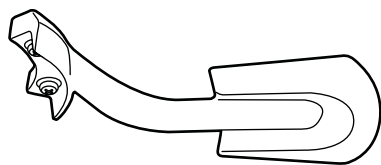
A



B



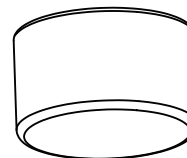
C



D



E



F



G



H

Part	Description	Quantity
A	Supporting bar	1
B	Motor housing	1
C	Fan motor with switch housing	1
D	Set of blade holders (with blade holder screws pre-installed)	5
E	Set of blades	5
F	Glass shade	1
G	Pull chain pendant	2
H	9 Watt E-26 (LED, A19) Bulb	1

# Installation

## 1 Determining mounting method



**WARNING:** To reduce the risk of fire, electric shock, or personal injury, mount to outlet box marked acceptable for fan support of 15.9 Kg (35 lbs) or less and use mounting screws provided with the outlet box.

- If there is not an existing UL Listed metal mounting box, then read the following instructions. Disconnect the power by removing fuses or turning off circuit breakers.
- Secure the outlet box directly to the building structure. Use appropriate fasteners and building materials. The outlet box and its support must be able to fully support the moving weight of the fan (at least 35 lbs.). Do not use plastic outlet boxes. Figures 1 and 2 are examples of different ways to mount the outlet box.
- To hang your fan where there is an existing fixture but no ceiling joist, you may need an installation hanger bar as shown in Figure 3 (available at your Retailer).

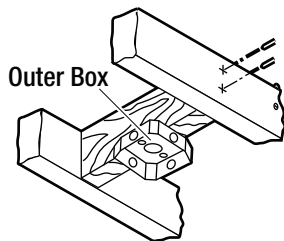
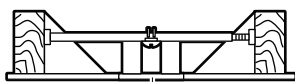


Figure 1



Outer Box

Figure 2



Outer Box

Figure 3

## 2 Installing the support bar



**NOTE:** You may need a longer downrod to maintain proper blade clearance when installing on a steep, sloped ceiling. The maximum angle allowable is 18° away from horizontal. If the canopy touches the downrod, then remove the decorative canopy bottom cover (C) and turn the canopy (B) 180° before attaching the canopy (B) to the mounting bracket (A).

**REMEMBER** to turn off the power. Follow the steps below to hang your fan properly.

- Secure the supporting bar to the ceiling outlet box as shown in Figure 4 by using two screws and washers (not provided). Make sure the supporting bar is level. You may need to insert additional washers (not provided) between the outlet box and the supporting bar to make it level.

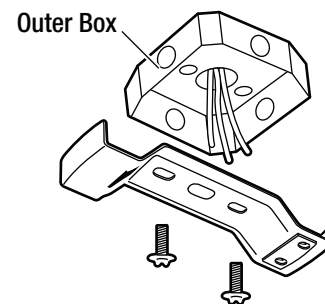


Figure 4

- Before making the electrical connections, use the square hole at one end of the supporting bar (A) to hang the fan motor (Figure 5).

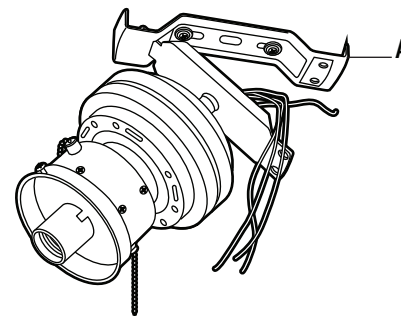


Figure 5

## Installation (continued)

### 3 Making the electrical connections



**WARNING:** To avoid possible electrical shock, be sure electricity is turned off at the main fuse box before wiring. If you are not sure the electrical box and fan are grounded, contact a licensed electrician for advice. They must be grounded for safe operation.



**WARNING:** Each wire nut (wire connector) supplied with this fan is designed to accept up to one 12 gauge house wire and two wires from the fan. If you have larger than 12 gauge house wiring or more than one house wire to connect to the fan wiring, consult an electrician for the proper size wire nuts to use.



**WARNING:** Check to see that all connections are tight, including ground, and that no bare wire is visible at the wire nuts, except for the ground wire.

If you feel that you do not have enough electrical wiring knowledge or experience, have your fan installed by a licensed electrician.

Follow the steps below to connect the fan to your household wiring. Use the plastic wire splice connectors (BB) supplied with your fan. Secure the connectors with electrical tape. Make sure there are no loose strands or connections.

- Connect the fan supply (black) wire and light supply (blue) wire to the black household wire as shown in Figure 6. Do not connect the blue wire if the light kit is not used.
- Connect the neutral fan (white) wire to the white neutral household wire.
- Connect the fan ground wires (green) on the supporting bar and the hanger to the household ground wire.
- After connecting the wires, secure the wire connectors (BB) with black electrical tape and spread them apart so that the green and white wires are on one side of the outlet box and the black and blue wires are on the other side (i.e., grounded conductor on one side and hot wires on the other side).
- Turn the wire connectors (BB) upward and push the wiring into the outlet box.

- If you choose to install another light kit, it must be a UL Listed light kit accessory marked suitable for use with this fan. Follow the instruction packed with the light kit.

#### SUPPLY CIRCUIT

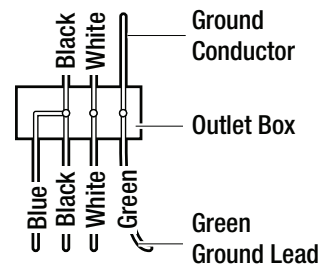


Figure 6

Diagram indicates light kit wiring.

## Installation (continued)

### 4 Finishing the installation

- Match the three holes at two ends of the supporting bar (A) with three screws of the hanger. Secure the fan assembly onto the supporting bar (A) using the preassembled screws (1) and washers (2) (Figure 7 and 8).
- Fix the motor housing (B) onto the supporting bar (A) by tightening the four screws (3) preassembled to the motor housing (B) (Figure 9).
- Attach the fan pull chain pendant to the pull chain on the switch assembly.

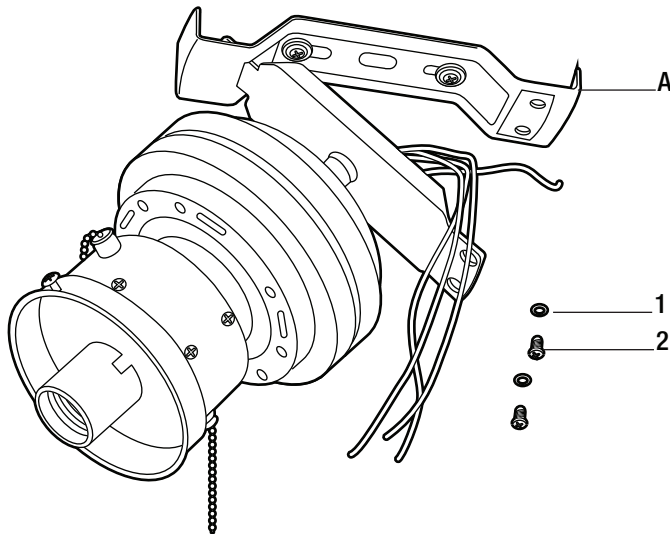


Figure 7

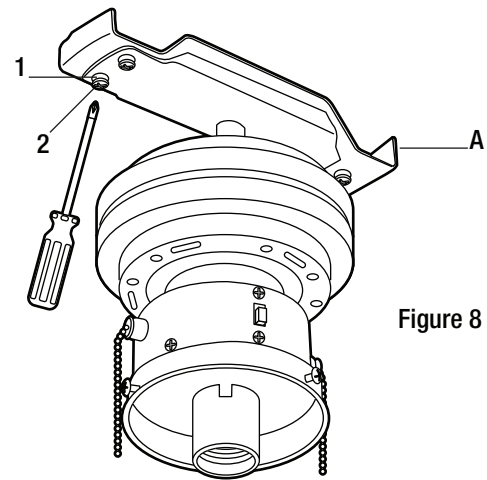


Figure 8

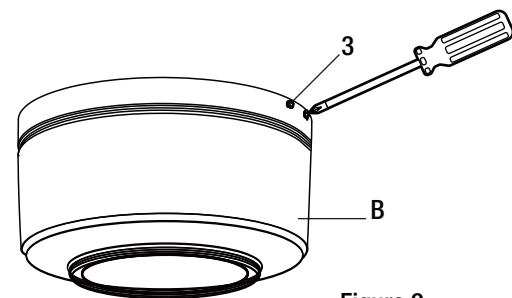


Figure 9

## Installation (continued)

### 5 Attaching the fan blades



**NOTE:** Your fan blades are reversible. Select the blade side finish which best accentuates your decor. Failure to follow above procedure could result in fan wobble.

- Mount the blade holders (D) to the fan blades (E) using the screws (1) provided – 3 per blade (Figure 10). Please note the rubber washers are pre-attached to the blade holder (D).

The fan blade assemblies attach to the motor using the blade holder screws (2) that are pre-installed into the blade holder (D). The procedure to attach blade assemblies is as follows:

- Position the blade holder (D) under the motor such that the alignment post on the blade holder fits into the slot (3) in the motor (Figure 11).
- Tighten the pre-installed blade holder screws (2).
- Repeat these steps to install the remaining blade assemblies.

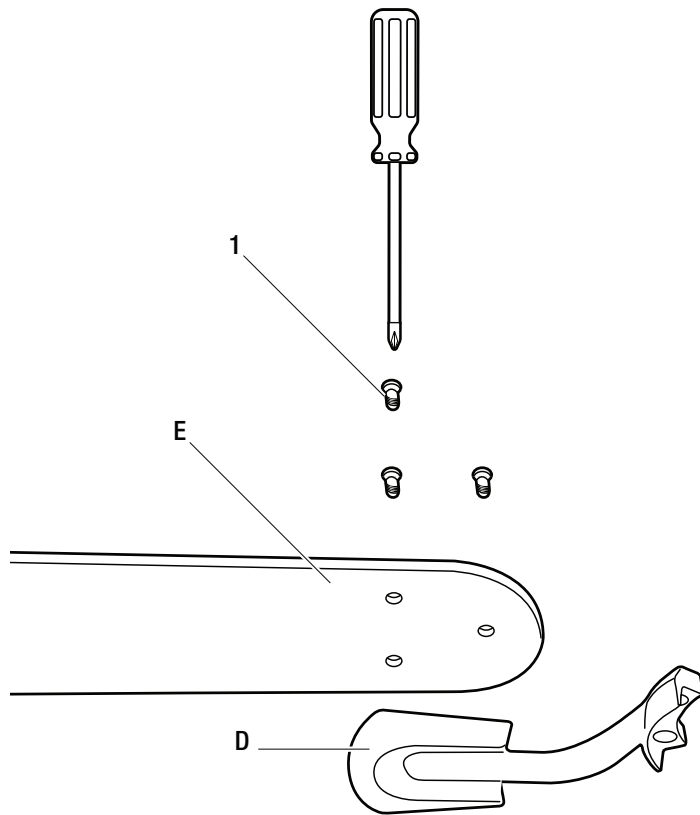


Figure 10

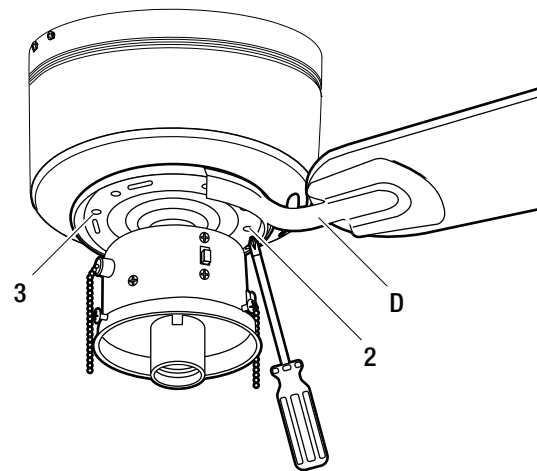


Figure 11



## Installation (continued)

### 6 Balancing the blades

All blades are grouped by weight. Because natural woods vary in density, the fan may wobble even though the blades are weight matched.

The following procedure should correct most fan wobble. Check for wobble after each step.

- Check that all blade and blade holder screws are secure.
- Most fan wobble problems are caused when blade levels are unequal. Check this level by selecting a point on the ceiling above the tip of one of the blades. Measure this distance as shown in Figure 12. Rotate the fan until the next blade is positioned for measurement. Repeat for each blade. Measurements should be within 1/8 in.
- If blade wobble is still noticeable, interchanging two adjacent (side by side) blades can redistribute the weight and possibly result in smoother operation.

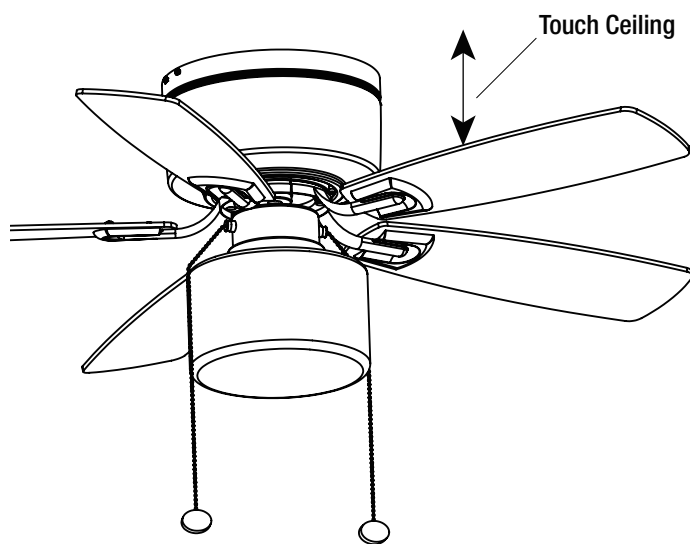


Figure 12

### 7 Installing the light kit



**WARNING:** To reduce the risk of electric shock, disconnect the electrical supply circuit to the fan before installing light kit.



**CAUTION:** Do not use pliers or screwdrivers to tighten the thumb screws. Overtightening of the thumb screws may crack the lamp shades.

- Install a LED bulb (max. 9W, medium screw base) to the lampholder (Figure 13).
- Install the lamp shade into the lamp-fitter by tightening the thumb screws (Figure 14).

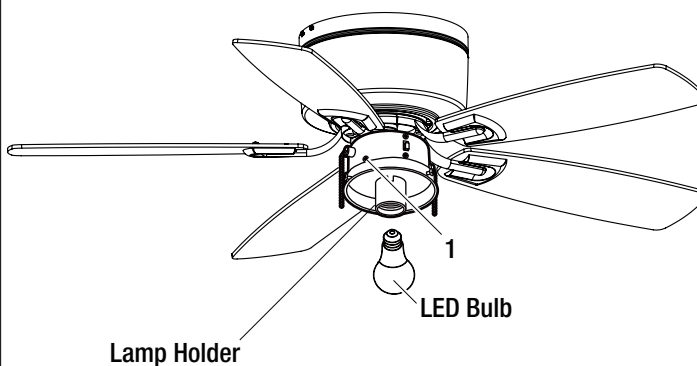


Figure 13

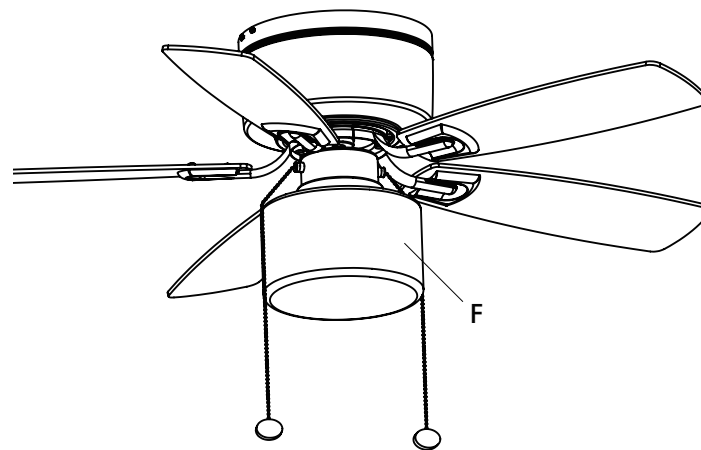


Figure 14

# Operation

## Operating



**NOTE:** Wait for the fan to stop before changing the setting of the slide switch.

The pull chain controls the fan speed as follows: 1 pull – High, 2 pulls – Medium, 3 pulls – Low, and 4 pulls – Off.

Speed settings for warm or cool weather depend on factors such as the room size, ceiling height, number of fans, and so on.

The slide switch controls direction: forward (switch down) or reverse (switch up).\*

**Warm weather – (Forward)** A downward airflow creates a cooling effect as shown in Figure 15. This allows you to set your air conditioner on a higher setting without affecting your comfort.

**Cool weather – (Reverse)** An upward airflow moves warm air off the ceiling area as shown in Figure 16. This allows you to set your heating unit on a lower setting without affecting your comfort.

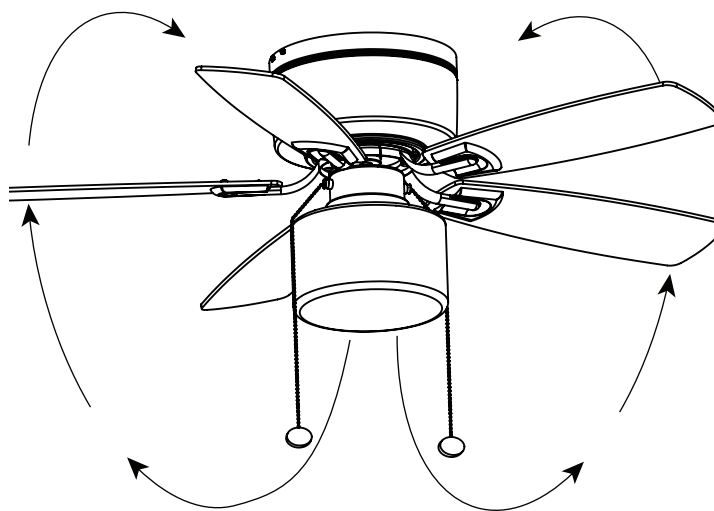


Figure 15

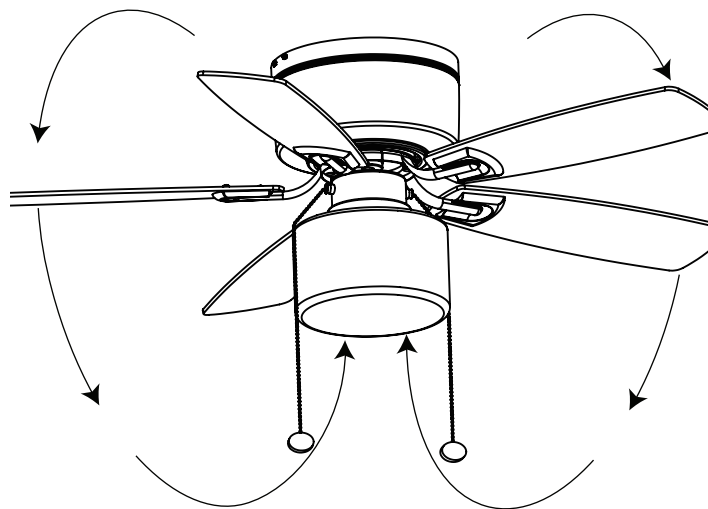


Figure 16

## Care and Cleaning



**WARNING:** Make sure the power is off at the electrical panel box before you attempt any repairs. Refer to the section Making Electrical Connections Section.

Here are some suggestions to help you maintain your fan.

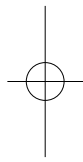
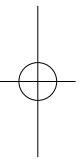
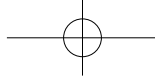
- Because of the fan's natural movement, some connections may become loose. Check the support connections, brackets, and blade attachments twice a year. Make sure they are secure. (It is not necessary to remove the fan from the ceiling.)
- Clean your fan periodically to help maintain its new appearance over the years. Use only a soft brush or lint-free cloth to avoid scratching the finish. The plating is sealed with a lacquer to minimize discoloration or tarnishing. Do not use water when cleaning. This could damage the motor, or the wood, or possibly cause an electrical shock.
- You can apply a light coat of furniture polish to the wood blades for additional protection and enhanced beauty. Cover small scratches with a light application of shoe polish.
- There is no need to oil your fan. The motor has permanently lubricated bearings.

## Troubleshooting

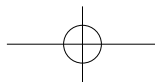


**WARNING:** Make sure the power is off at the electrical panel box before you attempt any repairs. Refer to the section Making Electrical Connections Section.

Problem	Solution
The fan will not start.	<ul style="list-style-type: none"><li>□ Check circuit fuses or breakers.</li><li>□ Check the line wire connections to the fan and switch wire connections in the switch housing.</li></ul>
The fan sounds noisy.	<ul style="list-style-type: none"><li>□ Make sure all motor housing screws are snug.</li><li>□ Make sure the screws that attach the fan blade bracket to the motor hub are tight.</li><li>□ Make sure wire nut connections are not rubbing against each other or the interior wall of the switch housing.</li><li>□ Allow a 24-hour "breaking-in" period. Most noises associated with a new fan disappear during this time.</li><li>□ Some fan motors are sensitive to signals from solid-state variable speed controls. If you have installed this type of control, choose and install another type of control.</li><li>□ Make sure the motor housing is a short distance from the ceiling. It should not touch the ceiling.</li></ul>



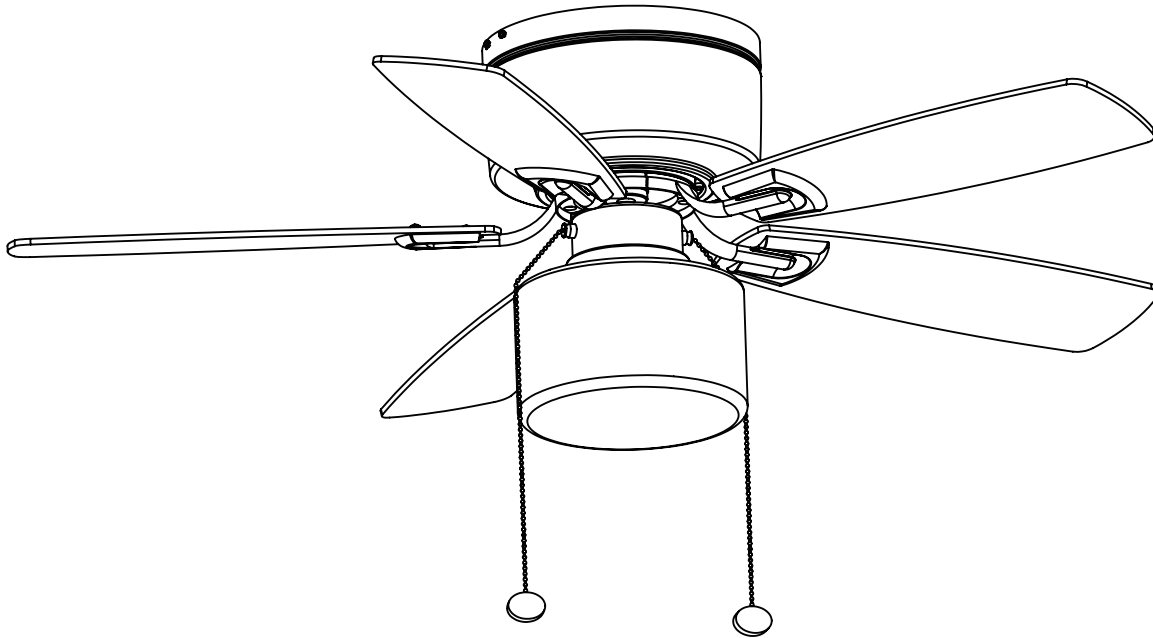
**An electronic copy of this user manual can also be obtained online at  
homedepot.com  
Retain this manual for future use.**



Núm. de modelo RH5H1-ORB/RH5H1-BN

# GUÍA DE USO Y CUIDADO

VENTILADOR DE TECHO DE 42 PULG.



Puede obtener también una copia electrónica de este manual del usuario en línea en [homedepot.com](http://homedepot.com).

# Tabla de contenido

Tabla de contenido ..... 2  
Información de seguridad ..... 2  
Garantía ..... 3

Pre-instalación ..... 4  
Operación ..... 10  
Cuidado y limpieza ..... 11  
Resolución de fallas ..... 11

# Información de seguridad

## POR FAVOR LEA Y GUARDE ESTAS INSTRUCCIONES.

1. Para reducir el riesgo de choque eléctrico, antes de comenzar asegúrese de que la electricidad haya sido desconectada en el interruptor de circuito o la caja de fusibles.
2. Todo el cableado debe estar de acuerdo con el Código Eléctrico Nacional, ANSI/NFPA 70 y los códigos eléctricos nacionales. La instalación eléctrica debe ser hecha por un electricista calificado autorizado.
3. La caja de salida y la estructura de soporte deben estar montadas con seguridad y ser capaces de soportar de manera fiable un mínimo de 35 libras. Use solamente cajas de salida listadas UL marcadas "PARA SOPORTE DE VENTILADOR."
4. No opere el interruptor de reversa mientras las aspas del ventilador estén en movimiento. El ventilador debe estar apagado y las aspas detenidas antes de invertir la dirección de las aspas.
5. Evite colocar objetos en el paso de las aspas. Para evitar lesiones personales o daños al ventilador y otros artículos, tenga precaución cuando trabaje cerca o limpie el ventilador.
6. No use agua o detergentes cuando limpie el ventilador o las aspas. Un paño seco o ligeramente empapado será adecuado para la mayoría de limpiezas.
7. Después de hacer conexiones eléctricas, los conductores empalmados deben ser girados hacia arriba y empujados con cuidado hacia adentro de la caja de salida. El cable debe estar separado con el conductor de puesta a tierra y el conductor de puesta a tierra del equipo en un lado de la caja de salida. Después de hacer los empalmes, estos deben ser girados hacia arriba y empujados con cuidado hacia adentro de la caja de salida.
8. Los diagramas eléctricos son solamente para referencia. Los juegos de lámparas que no están empacados con el ventilador deben ser Listados UL y marcados como adecuados para uso con el ventilador modelo que está instalando. Los interruptores deben ser Interruptores de Uso General UL. Consulte las instrucciones que vienen con los juegos de lámparas e interruptores para un montaje apropiado.



**ADVERTENCIA:** Antes de darle servicio o limpiar la unidad, desconecte la energía en el panel de servicio y cierre el servicio desconectando los medios para evitar que la energía se active accidentalmente. Cuando los medios de desconexión del servicio no se pueden cerrar, coloque con seguridad una advertencia fácil de ver.



**ADVERTENCIA:** Para evitar el riesgo de incendio, choque eléctrico o lesiones a las personas, monte una caja de salida aceptable para soporte del ventilador de 15.9 Kg (35 lbs) o menos. Use los tornillos de montaje proporcionados con la caja de salida. La mayoría de cajas de salida usadas comúnmente como soporte de luminarias no son aceptables para soporte del ventilador y pueden necesitar ser reemplazadas. Consulte a un electricista calificado si tiene dudas.



**ADVERTENCIA:** Para reducir el riesgo de lesiones personales, no doble los soportes de las aspas cuando instale los soportes, equilibre las aspas o limpie el ventilador. No inserte objetos extraños en medio de las aspas del ventilador en rotación.



**ADVERTENCIA:** Para reducir el riesgo de incendio o choque eléctrico, no use este ventilador con ningún dispositivo de control de velocidad de estado sólido.



**PRECAUCIÓN:** Para reducir el riesgo de lesiones personales, el ventilador debe estar montado con un mínimo de 7 pies de espacio libre desde el borde posterior de las aspas hasta el piso.

# Garantía

## GARANTÍA LIMITADA

### LO QUE ESTÁ CUBIERTO

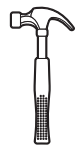
El distribuidor garantiza que el motor del ventilador está libre de defectos en materiales y mano de obra presentes en el momento del envío de la fábrica por un periodo de vida después de la fecha de compra por el comprador original. El distribuidor también garantiza que todas las otras piezas del ventilador, excluyendo cualquier aspa de vidrio o acrílico, están libres de defectos en materiales y mano de obra en el momento del envío de la fábrica por un periodo de un año después de la compra por el comprador original. Aceptamos corregir cualquier defecto sin cargos o a nuestra discreción reemplazar con un modelo comparable o superior si el producto es devuelto a el distribuidor. Para obtener el servicio de garantía, debe presentar una copia del recibo como prueba de compra. Todos los costos por retirar o reemplazar el producto son su responsabilidad. Los daños a cualquier pieza por accidente o mal uso o instalación inapropiada o por la fijación de cualquier accesorio, no están cubiertos por la garantía. Debido a las condiciones climáticas variables, esta garantía no cubre ningún cambio en el acabado de latón, incluyendo herrumbre, picaduras, corrosión, deslustrado o descamación. Los acabados de latón de este tipo dan su vida útil más larga cuando se protegen de las condiciones climáticas variables. Es normal una cierta cantidad de "bamboleo" y no debe ser considerado un defecto. El mantenimiento realizado por personas no autorizadas anulará la garantía. No hay otra garantía expresa. Por la presente, el distribuidor renuncia a cualquier y todas las garantías, incluyendo pero no limitadas a Garantías de comercialización o idoneidad para un propósito particular en la medida permitida por la ley. La duración de cualquier garantía implícita que no puede ser denegada está limitada al periodo de tiempo que se especifica en la garantía expresa. Algunos estados no permiten limitaciones sobre cuánto debe durar una garantía implícita, por lo tanto las limitaciones anteriores podrían no aplicar a usted. La tienda minorista no será responsable de daños incidentales, consecuenciales, o daños especiales que surgan de o con respecto al uso o rendimiento del producto excepto como pueda ser acordado de otra manera por la ley. Algunos estados no permiten la exclusión de los daños incidentales o consecuenciales, por lo tanto, las limitaciones y exclusiones anteriores podrían no aplicar a usted. Esta garantía le otorga derechos legales específicos y también puede tener otros derechos que varían de un estado a otro. Esta garantía reemplaza todas las garantías anteriores. Los costos de envío por cualquier devolución de producto como parte de un reclamo sobre la garantía deben ser pagados por el cliente.

## Especificaciones

Tamaño del ventilador	Velocidad	Voltios	Amperios	Watts	RPM	pies <sup>3</sup> /min	Peso neto	Peso bruto	C.F.
42 pulg.	Baja	120	N/A	12	85	1430	4.8 kg	5.4 kg	1.0
	Media	120	N/A	28	140	2163			
	Alta	120	N/A	45	180	2737			

## Pre-instalación

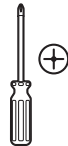
### HERRAMIENTAS REQUERIDAS



Martillo de garra



Gafas de seguridad

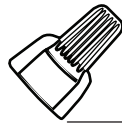


Desarmador Phillips

### HERRAJE INCLUIDO



AA



BB

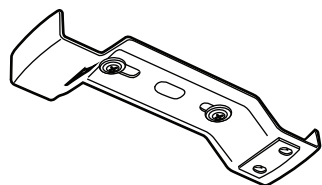
Pieza	Descripción	Cantidad
AA	Tornillos de máquina	16
BB	Tuercas de cable	3

## Pre-instalación (continuación)

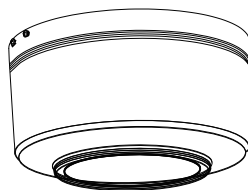
### CONTENIDO DEL PAQUETE



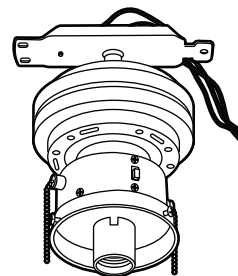
**NOTA:** Desempaque su ventilador y compruebe el contenido. Debe tener los siguientes artículos listados a continuación.



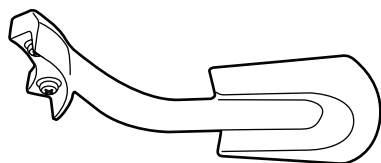
A



B



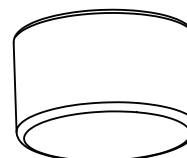
C



D



E



F



G



H

Pieza	Descripción	Cantidad
A	Barra de soporte	1
B	Carcasa del motor	1
C	Motor del ventilador con carcasa de interruptor	1
D	Conjunto de porta aspas (con tornillos de porta aspas preinstalados)	5
E	Conjunto de aspas	5
F	Pantalla de vidrio	1
G	Halador colgante de cadena	2
H	Foco de 9 Watts de base E-26 (LED, A19)	1



# Instalación

## 1 Determinación del método de montaje



**ADVERTENCIA:** Para evitar el riesgo de incendio, choque eléctrico o lesiones a las personas, monte la caja de salida marcada aceptable para soporte de ventilador de 15.9 Kg (35 lbs) o menos y use los tornillos de montaje proporcionados con la caja de salida.

- Si no hay una caja de montaje de metal existente Listada UL, lea las siguientes instrucciones. Desconecte la energía retirando los fusibles o apagando los interruptores de circuito.
- Asegure la caja de salida directamente a la estructura del edificio. Use sujetadores apropiados y materiales de construcción. La caja de salida y su soporte deben de ser capaces de soportar por completo el peso móvil del ventilador (al menos 35 lbs.) No use cajas de salida plásticas. Las Figuras 1 y 2 son ejemplos de diferentes maneras de montar la caja de salida.
- Para colgar su ventilador donde ya hay una luminaria pero no una viga de techo, puede necesitar un barra colgador como se muestra en la Figura 3 (disponible en su tienda minorista Hampton Bay).

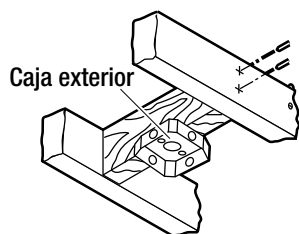


Figura 1

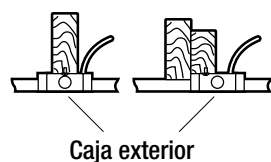


Figura 2

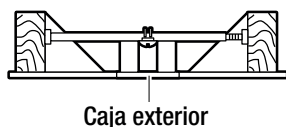


Figura 3

## 2 Instalación de la barra soporte



**NOTA:** Puede necesitar un vástago de extensión para mantener un espacio libre de aspa adecuado cuando instale sobre un techo inclinado. El ángulo máximo permisible es de 18° a partir de la horizontal. Si el dosel toca el vástago de extensión, retire la cubierta decorativa del dosel (C) y gire el dosel (B) 180° antes de instalar el dosel (B) al soporte de montaje (A).

**RECUERDE** desconectar la energía. Siga los pasos a continuación para colgar su ventilador apropiadamente.

- Asegure la barra de soporte a la caja de salida del techo como se muestra en la Figura 4 usando dos tornillos y arandelas (no suministrados). Asegúrese de que la barra de soporte esté nivelada. Puede necesitar insertar arandelas adicionales (no suministradas) entre la caja de salida y la barra de soporte para nivelar.

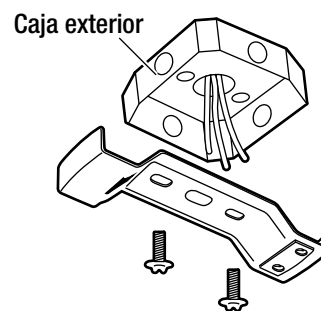


Figura 4

- Antes de hacer las conexiones eléctricas, use el agujero cuadrado en un extremo de la barra de soporte (A) para colgar el motor del ventilador (Figura 5).

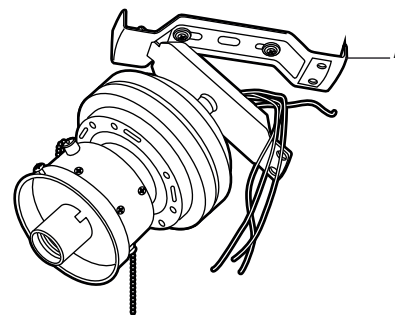


Figura 5

## Instalación (continuación)

### 3 Cómo hacer las conexiones eléctricas



**ADVERTENCIA:** Para evitar un posible choque eléctrico, asegúrese de que la electricidad esté desconectada en la caja de fusibles principal antes del cableado. Si no está seguro de que la caja eléctrica y el ventilador están conectados a tierra, póngase en contacto con un electricista calificado para que lo aconseje. Deben estar conectados a tierra para una operación segura.



**ADVERTENCIA:** Cada tuerca de cable (conector de cable) suministrada con este ventilador está diseñada para aceptar hasta un cable calibre 12 y dos cables del ventilador. Si tiene un cableado más grande de calibre 12 o más de un cableado para conectar al cableado del ventilador, consulte a un electricista sobre el tamaño adecuado de las tuercas de cableado que debe usar.



**ADVERTENCIA:** Revise para ver que todas las conexiones estén apretadas, incluyendo la tierra, y que ningún cable desnudo sea visible en las tuercas de cableado, excepto el cable de tierra.

Si siente que no tiene suficiente conocimiento o experiencia sobre cableado eléctrico, haga que su ventilador sea instalado por un electricista autorizado.

Siga los pasos a continuación para conectar el ventilador al cableado eléctrico de su vivienda. Use los conectores plásticos de empalme de cables (BB) suministrados con su ventilador. Asegure los conectores con cinta aislante. Asegúrese de que no hayan hebras o conexiones flojas.

- Conecte el cable de alimentación del ventilador (negro) y el cable de alimentación de la lámpara (azul) al cable negro de la vivienda como se muestra en la Figura 6. No conecte el cable azul si el juego de la lámpara no es usado.
- Conecte el cable neutro del ventilador (blanco) al cable neutro blanco de la vivienda.
- Conecte los cables de tierra del ventilador (verdes) en la barra de soporte y el colgador, al cable de tierra de la vivienda.
- Después de conectar los cables, asegure los conectores de cable (BB) con cinta aislante negra y sepárelos de modo que los cables verde y blanco estén en un lado de la caja de salida y los cables negro y azul en el otro lado. (o sea, el conector con conexión a tierra en un lado y los cables vivos en el otro lado).
- Gire los conectores de cable (BB) hacia arriba y empuje el cableado dentro de la caja de salida.

- Si desea instalar otro juego de lámparas, debe ser un accesorio de juego de lámparas Listado UL marcado como adecuado para ser usado con este ventilador. Siga las instrucciones que vienen con el juego de lámparas.

#### CIRCUITO DE ALIMENTACIÓN

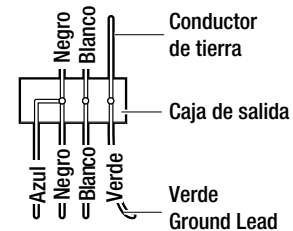


Figura 6

El diagrama indica el cableado del juego de lámparas.

## Instalación (continuación)

### 4 Finalización de la instalación

- Haga coincidir los tres agujeros en los dos extremos de la barra de soporte (A) con tres tornillos del colgador. Asegure el ensamblaje del ventilador sobre la barra de soporte (A) usando los tornillos preensamblados (1) y arandelas (2) (Figura 7 y 8).
- Fije la carcasa del motor (B) sobre la barra de soporte (A) apretando los cuatro tornillos (3) preensamblados a la carcasa del motor (B) (Figura 9).
- Instale el halador colgante de cadena del ventilador a la cadena de tiro en el ensamblaje del interruptor.

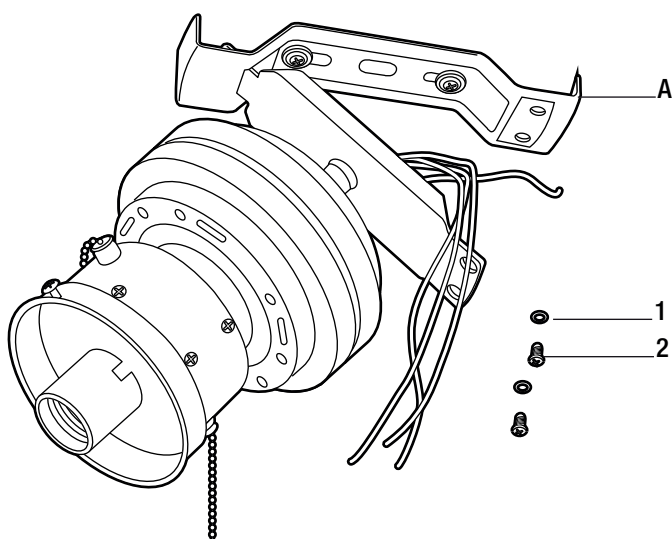


Figura 7

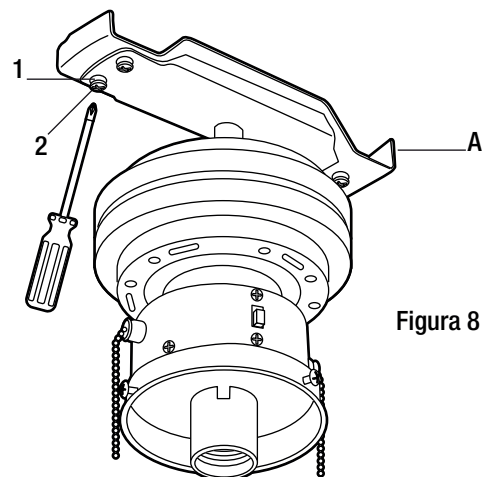


Figura 8

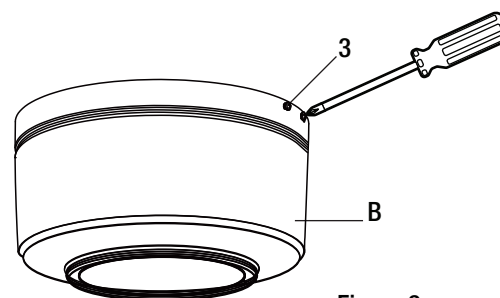


Figura 9

## Instalación (continuación)

### 5 Instalación de las aspas del ventilador



**NOTA:** Las aspas de su ventilador son reversibles. Seleccione el acabado lateral del asa que mejor acentúe su decoración. No seguir el procedimiento anterior puede resultar en bamboleo del ventilador.

- Monte los porta aspas (D) a las aspas del ventilador (E) usando los tornillos (1) proporcionados – 3 por asa (Figura 10). Note que las arandelas de goma están preinstaladas al porta aspas (D).

Los ensamblajes de aspas del ventilador se instalan al motor usando los tornillos del porta aspas (2) que están preinstalados dentro del porta aspas (D). El procedimiento para instalar los ensamblajes de aspas es como sigue:

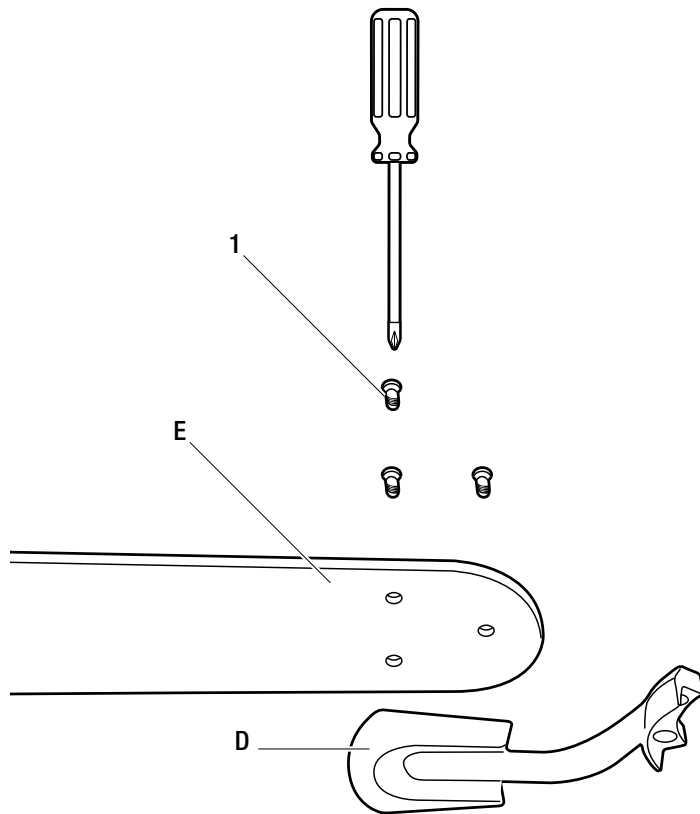


Figura 10

- Coloque el porta aspas (D) bajo el motor de modo que el poste de alineamiento en el porta aspas encaje dentro de la ranura (3) en el motor (Figura 11).
- Apriete los tornillos preinstalados del porta aspas (2).
- Repita estos pasos para instalar los ensamblajes de las aspas restantes.

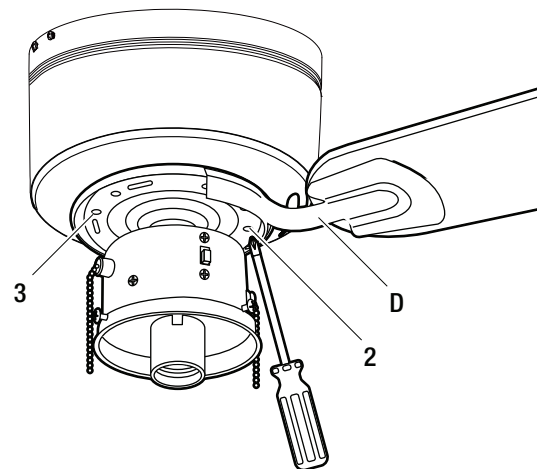


Figura 11

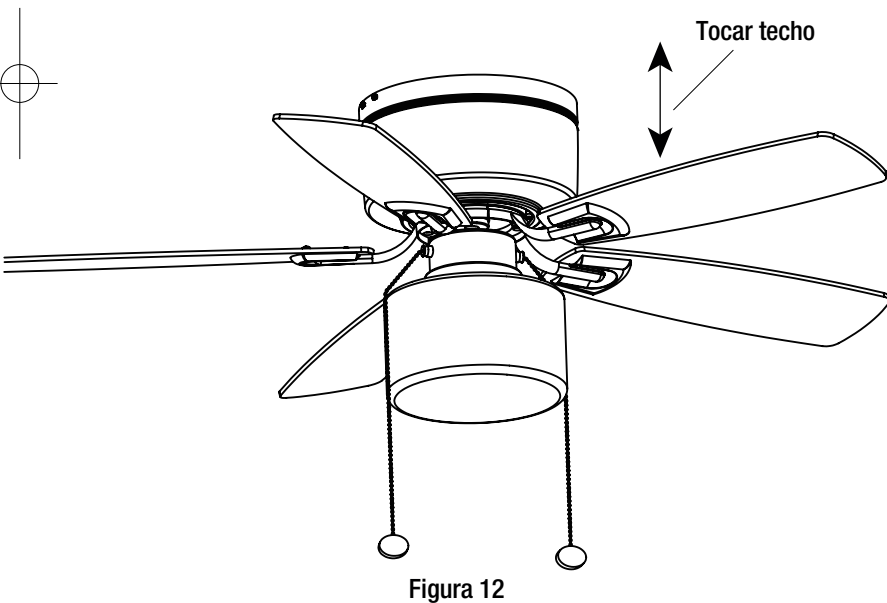
## Instalación (continuación)

### 6 Cómo equilibrar las aspas

Todas las aspas están agrupadas por peso. Debido a que las maderas naturales varían en densidad, el ventilador puede bambolear incluso si las aspas concuerdan en peso.

El siguiente procedimiento debe corregir la mayor parte del bamboleo del ventilador. Compruebe si hay bamboleo después de cada paso.

- Compruebe que todos los tornillos de las aspas y los porta aspas estén seguros.
- La mayoría de problemas de bamboleo ocurren cuando los niveles de las aspas son desiguales. Compruebe este nivel seleccionando un punto en el techo sobre la punta de una de las aspas. Mida esta distancia como se muestra en la Figura 12. Gire el ventilador hasta que la siguiente aspa esté ubicada para medición. Repita para cada aspa. Las medidas deben estar dentro de 1/8 pulg.
- Si todavía se nota bamboleo en el aspa, el intercambio de dos aspas adyacentes (lado por lado) puede redistribuir el peso y posiblemente resulte en un funcionamiento más estable.



### 7 Instalación del juego de lámparas

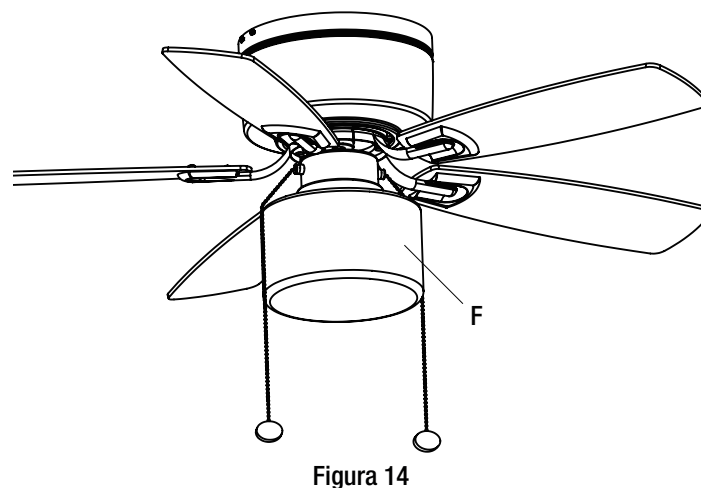
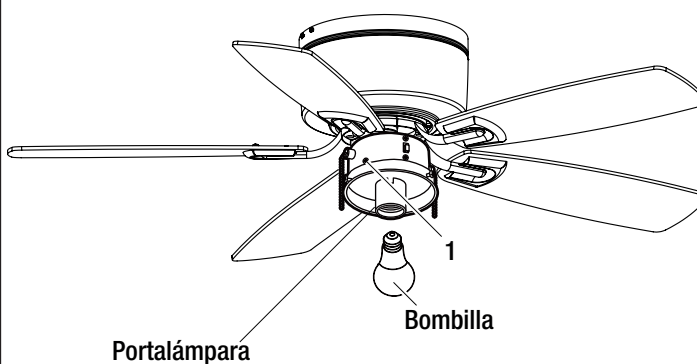


**ADVERTENCIA:** Para reducir el riesgo de choque eléctrico, desconecte el circuito de suministro eléctrico al ventilador antes de instalar el juego de lámparas.



**PRECAUCIÓN:** No use tenazas o destornilladores para apretar los tornillos de pulgar. Apretar en exceso los tornillos de pulgar puede rajar las pantallas de la lámpara.

- Instale una bombilla (máx. 9W, LED, base de tornillo mediano) al portalámpara (Figura 13).
- Instale la pantalla de la lámpara en el adaptador de la lámpara apretando los tornillos de pulgar (Figura 14).



# Operación

## Cómo operarla



**NOTA:** Espere a que el ventilador se detenga antes de cambiar el ajuste del interruptor corredizo.

La cadena controla la velocidad del ventilador como sigue: 1 tirón– Alta, 2 tirones– Media, 3 tirones– Baja, y 4 tirones– Apagado.

Los ajustes de velocidad para clima cálido o fresco dependen de factores como el tamaño de la habitación, altura del techo, número de ventiladores, y así sucesivamente.

El interruptor corredizo controla la dirección: hacia adelante (interruptor abajo) o reversa (interruptor hacia arriba)\*.

**Clima cálido – (Hacia adelante)** Un flujo de aire hacia abajo crea un efecto de enfriamiento como se muestra en la Figura 15. Esto le permite ajustar su acondicionador de aire a un ajuste más alto sin afectar su comodidad.

**Clima fresco– (Reversa)** Una corriente de aire hacia arriba hace salir el aire caliente del área del techo como se muestra en la Figura 16. Esto le permite ajustar su unidad de calefacción a un ajuste más bajo sin afectar su comodidad.

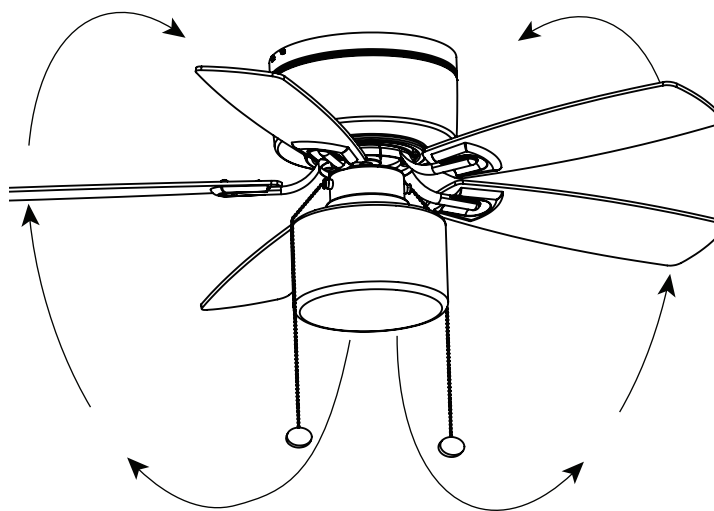


Figura 15

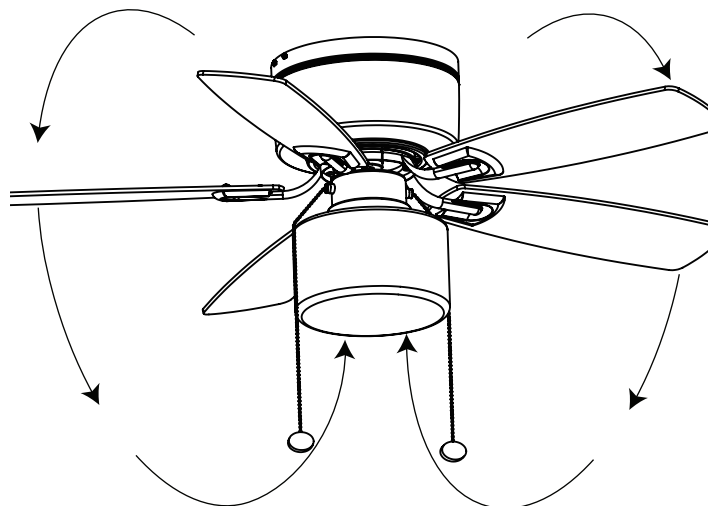


Figura 16

## Cuidado y limpieza



**ADVERTENCIA:** Asegúrese de que la energía esté desconectada en la caja del panel eléctrico antes de intentar cualquier reparación. Consulte la sección Cómo hacer conexiones eléctricas.

Aquí tiene algunas sugerencias para ayudarle a mantener su ventilador.

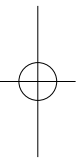
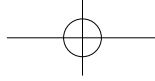
- Debido al movimiento natural del ventilador, algunas conexiones se pueden aflojar. Revise las conexiones del soporte, soportes y acoplamientos de las aspas dos veces al año. Asegúrese de que estén seguras. (No es necesario retirar el ventilador del techo.)
- Limpie su ventilador periódicamente para ayudar a mantener su apariencia nueva con el paso de los años. Use solamente un cepillo suave o paño sin pelusa para evitar rayar el acabado. El enchapado está sellado con una laca para minimizar la decoloración o el deslustrado. No use agua cuando limpie. Esto podría dañar el motor, o la madera, o causar posiblemente un choque eléctrico.
- Puede aplicar una capa ligera de cera para muebles a las aspas de madera para protección adicional y belleza mejorada. Cubra las rayas pequeñas con una aplicación ligera de betún para calzado.
- No hay necesidad de aceitar su ventilador. El motor tiene cojinetes lubricados permanentemente.

## Resolución de fallas



**ADVERTENCIA:** Asegúrese de que la energía esté desconectada en la caja del panel eléctrico antes de intentar cualquier reparación. Consulte la sección Cómo hacer conexiones eléctricas.

Problema	Solución
El ventilador no arranca.	<ul style="list-style-type: none"><li><input type="checkbox"/> Revise los fusibles o los interruptores.</li><li><input type="checkbox"/> Revise las conexiones del cable de línea al ventilador y las conexiones del cable del interruptor en la carcasa del interruptor.</li></ul>
El ventilador hace ruido.	<ul style="list-style-type: none"><li><input type="checkbox"/> Asegúrese de que todos los tornillos de la carcasa del motor estén ajustados.</li><li><input type="checkbox"/> Asegúrese de que los tornillos que sujetan el soporte del aspa del ventilador al núcleo del motor estén apretados.</li><li><input type="checkbox"/> Asegúrese de que las conexiones de la tuerca del cable no rocen entre sí o con la pared interior de la carcasa del interruptor.</li><li><input type="checkbox"/> Permita un periodo de "rodaje" de 24 horas. La mayoría de ruidos asociados a un ventilador nuevo desaparecen durante este tiempo.</li><li><input type="checkbox"/> Algunos motores de ventilador son sensibles a señales de controles de velocidad variable de estado sólido. Si tiene instalado este tipo de control, elija e instale otro tipo de control.</li><li><input type="checkbox"/> Asegúrese de que la carcasa del motor esté a una corta distancia del techo. No debe tocar el techo.</li></ul>



**Puede obtener también una copia electrónica de este manual del usuario en línea en [homedepot.com](http://homedepot.com).**

**Conserve este manual para uso futuro.**

