

Installation
Undermount

Finish
Glossy White

Drain Opening
1.75" Standard

Over Flow
Works ONLY
w/ overflow drain

THANK YOU

We would like to take this opportunity to thank you for choosing Novatto. We hope you are truly satisfied with our product(s) and enjoy them for years to come. As a small business, we learn the most from you, the customer. Please visit the link below to leave us a review along with high resolution picture(s). You could win a \$25 Amazon or Visa gift card.

It's easy as...

- Go to novatto.com
- Find your product's page
- On the right, about 1/2 way down click *Write a review*
- Review, submit & let your style flow

PORCELAIN UNDERMOUNT SINKS 101

Porcelain is a popular material for bathroom sinks due to its durability and classic look. Clay-based with a lustrous surface, porcelain sinks are resistant to corrosion and discoloration. With their extremely strong surface and resistance to scratching, Novatto's ceramic sinks are not only a centerpiece, but also designed to withstand the onslaught of everyday use. Available in glossy white, Novatto's undermount ceramic sink collection is perfect for any design style.

Undermounted sinks mean that the sink's edges are underneath the countertop and therefore are not visible. An undermount will beautifully streamline a seamless flow from the countertop's edge to your sink, creating a smooth and flowing aesthetic appreciated in contemporary bathrooms.

TOOLS NEEDED FOR ASSEMBLY (not included)

Specialized tools may be necessary to install Novatto's undermount sinks with countertop materials other than wood, marble, or granite.



NOVATTO
WHERE STYLE FLOWS

Novatto | P: 844.404.4242
support@novatto.com
Novatto.com



Questions, problems, missing parts? Before returning to your retailer, call our customer service department at 844.404.4242, 7:00 a.m. - 5 p.m., MST, Monday - Friday. Or email us at: support@novatto.com

UNDERMOUNT ASSEMBLY

Steps to Complete Your Undermount Sink Project

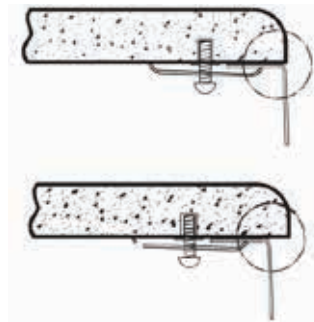
This product is fragile and can break, chip, or cause injury if handled incorrectly. We highly recommend providing the installer with the actual sink and recommend discussing whether you want to install the sink with the countertop already in place or if you want to attach the sink to the countertop and then install it all in one shot.

- **Determine reveal type:** flush or a negative reveal.
- **For layout,** cut along the inside line of the paper template. Compare the template with the sink. Place the template in the desired location and trace with a pencil. Remember to allow clearance for the faucet, backsplash, and plumbing for the sink, plus make sure you have full range of motion for the spout and faucet handle(s).
- **Mark the faucet hole,** centerline on the countertop to the sink. Use manufacturer's guidelines for proper size and placement.
- **Check the space** under the countertop, to where the basin is to be installed, making sure there is enough space to install supply hoses, drainpipe and the sink's bump out for overflow.
- **Cut countertop** using the appropriate machine.

STOP

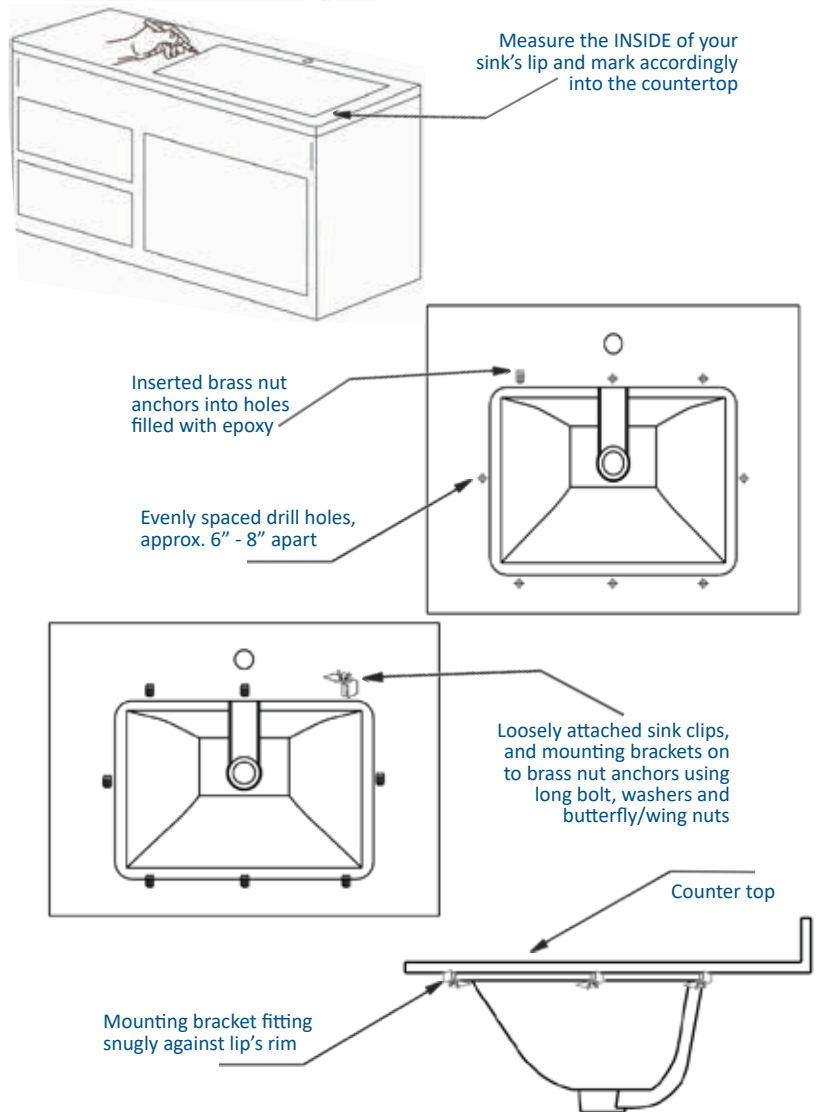
At this point you must decide how to install your sink. Pre-installing, the easiest option but could also be the heaviest, or installing the sink with the countertop already in place.

If pre-installing, jump to the next section.



Flushed reveal - counter is flush with edge of sink (most popular)

Negative reveal - counter extends 1/8" or less over edge of sink

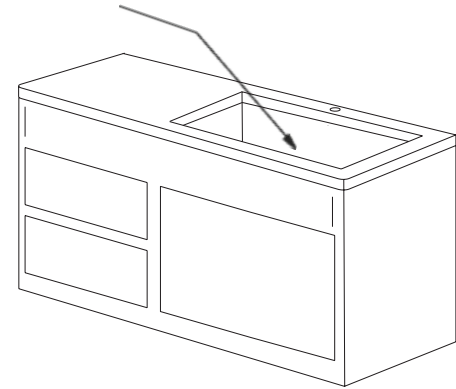


TROUBLESHOOTING TIPS - UNDERMOUNT

Issue	Reason	Solution
Sink seems to be sagging/separating from countertop	Silicon/epoxy didn't set long enough; underside area not cleaned properly	Reseal, set for 24hrs; remove silicon/epoxy, clean underside well
Does not completely drain	Drain is too high; silicone/putty not removed	Make make sure drain is below bevel; remove excess putty/silicone
Sink is changing color or stained	Abrasive cleaners, soaps or other factors in contact with sink	Stop using abrasives, clean and re-seal; use a porcelain stain remover

- **Locate and drill holes** on the underside of the countertop, approximately 1" from the edge of the sink's cutout. Holes should be evenly spaced, approx. 6"- 8" apart, starting from every corner.
- **Drill 5/16" diameter** x 3/8" deep hole in countertop.
- **Place epoxy in the drilled hole** then insert brass nut anchors (NOT included) into the drilled hole and lightly tap them with a hammer. Wait until the epoxy cures per manufacturer's instructions.
- **Loosely attach sink clip hardware (NOT included)** with mounting brackets flat against the lip, parallel to the cutout opening, with long bolts, washers and butterfly or wing nuts.
- **Before applying high strength epoxy** or silicone, test fit the sink by placing it under the cut-out to ensure a proper placement. Then clean the sink's flange as well as the underside of the cutout area of the countertop, making sure that the area is smooth and free from grease. Apply a continuous bead of epoxy/silicone evenly on top of the sink's flange. Verify the sink is in line and level with the opening in the countertop.
- **After verifying position and alignment** press sink onto countertop's underside. Turn the bent end of the mounting bracket so it fits snugly over the sink's rim. Check alignment of the sink again and tighten fasteners to secure the sink.
- **Carefully** remove any excess epoxy/sealant from all surfaces and around hole on underside of countertop.
- **Once the sink** has fully set you may install the drain and fixtures. We suggest you install these items according to the drain and fixture's installation instructions. Make sure a watertight seal exists on all drain connections. Clean sink and apply the Glacier Sealer if included.

Install drain and faucet (not included);
connect water supply



PLEASE NOTE - UNDERMOUNT SINKS:

- Review and abide by all building and plumbing codes.
- Novatto sinks need to be installed by a licensed professional.
- Evaluate current or desired cabinetry. If you are building or remodeling the area from scratch, you will be able to choose cabinets specifically created for your undermount sink.
- Novatto recommends consulting an experienced cabinet maker for assistance and providing them with the actual sink and template to ensure a custom fit.
- If installing your undermount sink AFTER cabinets and countertop have been installed, makes sure the cabinet is secured, plumb, and level. Failure of this step can lead to product damage.
- Be careful when unpacking the sink, we advise setting it on the packing it was received with.
- Inspect the sink prior to installation to make sure it has not been cracked or chipped during shipping. Porcelain edges may be sharp - use caution when handling.
- Additional floor and wall preparation may be required to avoid damaging the sink. Sinks should only be fastened to a solid surface countertop.
- Use the cut-out template provided.

CARE AND MAINTENANCE

Novatto's ceramic undermount sinks are incredibly easy to clean and maintain. To keep your porcelain sink in pristine condition simply wipe down with a soapy sponge or soft cloth, rinse and dry. A ceramic cleaner such as Glacier Ice Faucet and Sink Restore Cleaner with Sealer Kit or any other non-abrasive ceramic cleaner may be used if grime or minerals build up.

Caution: Do NOT use metal brushes, scouring pads or any abrasive cleaners when cleaning porcelain sinks as this may scratch the ceramic and may discolor or damage the gloss.

Porcelain is made of kaolin, which is a silicate-based mineral found in clay. The clay is sculpted to the required shape and then covered with glaze. After the glaze dries, the piece is fired at extremely high temperatures, triggering a physical reaction, which turns the surface of the sink into the durable, shiny finish known through out the world. Novatto's in-house testing have found the sinks to be very durable and forgiving. Normal items such as toothbrushes, small jewelry, bottles, etc. will not damage a Novatto ceramic sink. Do not allow the ceramic vessel sink to come in contact with steel or other objects which could scratch or damage the sink. Novatto recommends using a professional plumber when installing your ceramic sink.

Warning: Do NOT use acidic household cleaners, harsh chemical wipes, or abrasives.

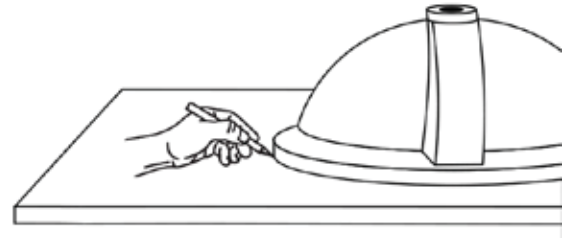
PRE-INSTALLED ASSEMBLY

Steps to Complete Your Pre-Installed Sink Project

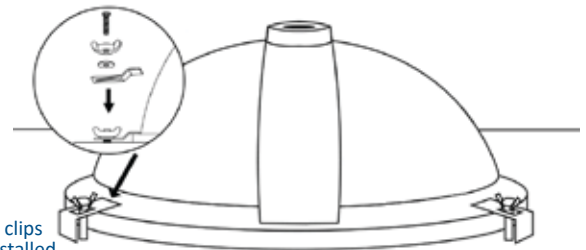
The following instructions assume your professional has already cut the sink and faucet hole(s); drilled and filled the holes for your sink clips (NOT included) with epoxy and brass nut anchors (NOT included) and the epoxy has cured. It is also assumed the vanity is in place, and the countertop has not yet been installed.

We highly recommend consulting an experienced professional for assistance. Providing them with the actual sink, countertop and template will ensure a perfect fit.

- **Carefully turn the counter top over**, resting it on a soft, stable surface to prevent damage.
- **Position the sink over it's cutout.** Make sure the sink is centered with the faucet hole and is evenly spaced between the bolt holes. You may also use the template provided.
- **Use a pencil** to outline the sink. Lift the sink and turn it over. Apply a bead of continuous epoxy or silicone sealant around the top edge of the rim.
- **Carefully place the sink** upside down on the counter top, positioning it within your marked outline. Once positioned, press firmly into place and immediately scrape off the extrusive silicon.
- **At each** of the bolt holes in the counter top, attach the sink clips (NOT included) by placing the long end of the bracket flat against the sink's lip. Thread the long bolt, washer and butterfly/wing nuts (NONE included) through the brackets into the bolt holes and tighten.
- **Carefully turn** the counter top and sink over. If needed, reposition the sink by slightly loosening the wing bolts and adjusting. Wipe away any excess



Apply a continuous bead of silicone sealant (not included) around the sink's rim.



sealant with either a damp cloth or acetone or rubbing alcohol. Place sink and counter top on cabinet. Proceed to install the counter top, drain and fixtures according to their manufacturer's instructions. Allow all silicone to dry for 24 hours.

TROUBLESHOOTING TIPS - PRE-INSTALL

Issue	Reason	Solution
Epoxy/Silicone not adhering/sealing	Area wasn't dust free/cleaned properly	Remove epoxy/silicone, wipe down area with dry cloth, then damp, then dry
There is a gap between the basin and the countertop	Too much silicon was "scraped" off	Carefully refill with silicon
Long bolts will not screw into brass nut anchors	Epoxy got inside of the anchor	Use acetone or rubbing alcohol to remove any excess epoxy, try again