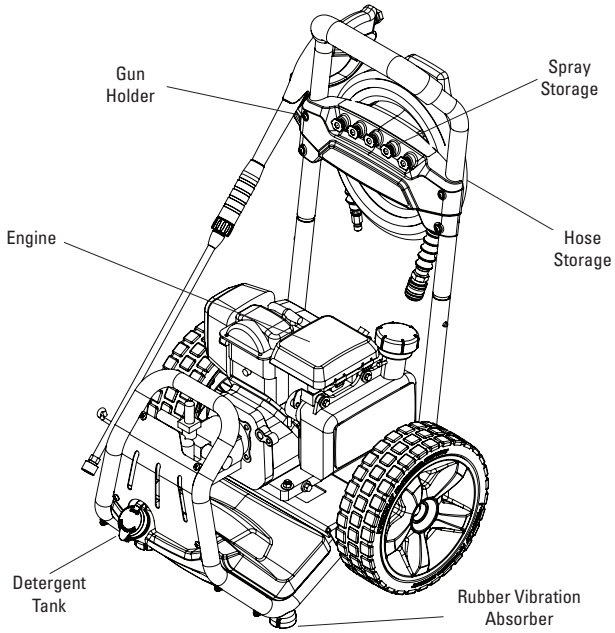
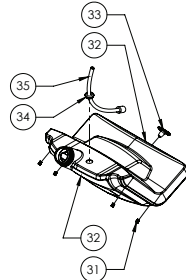
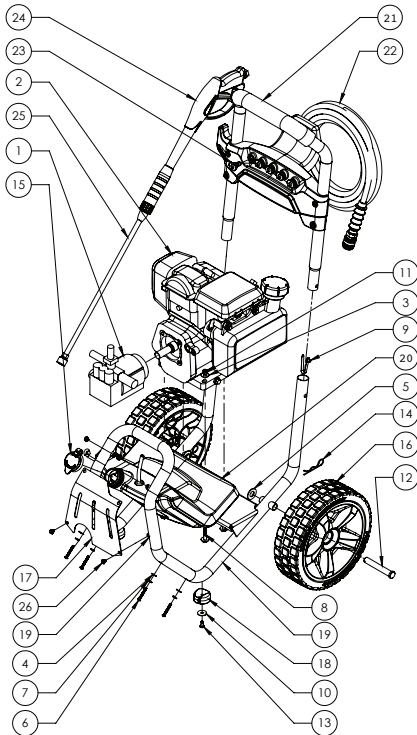


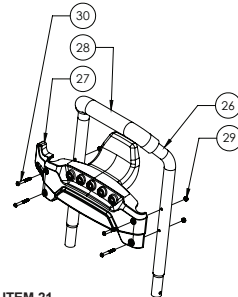
GAS-POWERED WASHER COMPONENTS



Refer to Engine Owner's Manual for Engine Components



ITEM 20
SOAP TANK SUBASSEMBLY



ITEM 21
HANDLE TUBE SUBASSEMBLY

PARTS GUIDE FOR STREETROD™

STREETROD VERSION : SR226HB23ARNLQC

ITEM NO.	DESCRIPTION	PART #	QTY
1	Briggs & Stratton Engine 1062 7.50 ft. lbs.	PW-P0823	1
2	RMV24G30D-EZ AR Axial Pump	PW-P0906	1

STREETROD VERSION : SR226HH23ARNLQC

ITEM NO.	DESCRIPTION	PART #	QTY
1	Honda Engine GC160LAQHC	PW-P0807	1
2	RMV24G30D-EZ AR Axial Pump	PW-P0906	1

STREETROD VERSION : SR230HB25ARNLQC

ITEM NO.	DESCRIPTION	PART #	QTY
1	Briggs & Stratton Engine 12T4 9.00 ft. lbs.	PW-P0824	1
2	RMV25G30-EZ AR Axial Pump	PW-P0908	1

STREETROD VERSION : SR230HH25ARNLQC

ITEM NO.	DESCRIPTION	PART #	QTY
1	Honda Engine GC190LAQHC	PW-P0808	1
2	RMV25G30-EZ AR Axial Pump	PW-P0908	1

STREETROD VERSION : SR233HB27ARTLQC

ITEM NO.	DESCRIPTION	PART #	QTY
1	Briggs & Stratton Engine 12T4 9.00 ft. lbs.	PW-P0824	1
2	RCV3G25 AR Triplex Pump with Thermal Relief Valve	PW-P0910	1

STREETROD VERSION : SR233HR27ARTLQC

ITEM NO.	DESCRIPTION	PART #	QTY
1	Powerplay Engine	PW-P0832	1
2	RCV3G25 AR Triplex Pump with Thermal Relief Valve	PW-P0910	1

STREETROD VERSION : SR233HR27PPLLQC

ITEM NO.	DESCRIPTION	PART #	QTY
1	Powerplay Engine	PW-P0832	1
2	RMV25G30-EZ AR Axial Pump	PW-P0908	1

STREETROD VERSION : SR233HX27ARNLQC

ITEM NO.	DESCRIPTION	PART #	QTY
1	Honda Engine X200QAPW	PW-P0804	1
2	RMV25G30-EZ AR Axial Pump	PW-P0908	1

STREETROD VERSION : SR233HX27ARTLQC

ITEM NO.	DESCRIPTION	PART #	QTY
1	Honda Engine X200QAPW	PW-P0804	1
2	RCV3G25 AR Triplex Pump with Thermal Relief Valve	PW-P0910	1

PARTS GUIDE FOR STREETROD™

STREETROD CHASSIS ASSEMBLY

ITEM NO.	DESCRIPTION	PART #	QTY
3	5/16" Standard Washer	PW-H0300	8
4	1/4" Standard Washer	PW-H0301	4
5	5/8" SAE Standard Washer	PW-H0305	2
6	#10-24 Pan Head Phillips Machine Screw	PW-H0101	4
7	1/4" Split Lock Washer	PW-H0351	4
8	5/16"-18 Hex Head Cap Screw	PW-H0022	4
9	Quick-Release Button Connectors for Telescoping Tubing	PW-H0718	2
10	Washer For Soft Materials (Type B)	PW-H0306	2
11	5/16"-18 Nylon-Insert Nut Locknut	PW-H0252	4
12	5/8" x 4" Clevis Pin	PW-H0733	2
13	Aluminum Blind Rivet	PW-H0408	2
14	Clevis Pin with Reusable Cotter Pin	PW-H0730	2
15	Tank Cap	PW-P0117	1
16	12" PowerPlay Wheel	PW-P0101	2
17	Front Plate	PW-P4002	1
18	Rubber Foot	PW-S4005	2
19	Frame Assembly	PW-S4200	1
20	Soap Tank Assembly	PW-S4300**	1
21	Handle Bar Assembly	PW-S4500**	1
22	9/32"x25' Hose 3400 PSI	PW-P0602	1
23	0-15-40 + Soap Nozzle	PW-P0605	1
24	Pressure Washer Gun	PW-P0600	1
25	Gun Lance	PW-P0601	1
26	Round Head Phillips Machine Screw	PW-H0102	4
27	Nylon-Insert Thin Hex Locknut	PW-H0250	4

ITEM 21 : HANDLE TUBE SUBASSEMBLY

ITEM NO.	DESCRIPTION	PART #	QTY
26	Handle Bar	PW-P4511	1
27	Hose Holder	PW-P2015	1
28	Handle Bar Foam	PW-P4514	1
29	1/4"-20 Nylon-Insert Thin Hex Locknut	PW-H0250	4
30	Socket Head Cap Screw 1/4"-20	PW-H0051	4

ITEM 20 : SOAP TANK SUBASSEMBLY

ITEM NO.	DESCRIPTION	PART #	QTY
31	Dodge Ultrasert II - Long	PW-H0704	4
32	Soap Tank	PW-P4306	1
33	Soap Tank Drain Plug	PW-P4316	1
34	Push-In Grommets	PW-H0915	1
35	Detergent Hose With Filter	PW-P0950	1

****You can buy sub-assemblies 20 and 21, or buy the parts separately.**

POWERPLAY™

Parts can be changed without notice.