

Kräus[®]

INSTALLATION GUIDE

Ino[™] Single Handle Basin Bathroom Faucet

KEF-15701

Congratulations on the purchase of your new Kraus plumbing fixture!

Please keep the box and packaging materials until your product is completely installed. If you have any questions, require technical assistance, or have any problems with your product:



DO NOT RETURN TO STORE

Please contact our Customer Service Team

1-800-775-0703 / customerservice@kraususa.com

Have the model number available, and retain a copy of your receipt with purchase date for reference.

If for any reason this product does not meet your expectations, please be sure to repack this product in the original box and packaging material to avoid damage during transit.

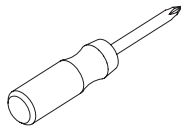
Prior to Installation:

- Make sure you have all necessary parts by checking the diagram and parts list. If any part is missing or damaged, please contact Kraus Customer Service at 800-775-0703 for a replacement.
- Turn off the hot and cold water supply at the angle stops and turn on the old faucet to release any built up pressure. Remove existing faucet. Clean sink or countertop to remove any debris, plumber's putty, or silicone
- Place bucket under angle stops. Turn on to flush any debris prior to installing new plumbing. Shut off angle stops
- Pre-drilled hole size requirement: 1-3/8" (min) – 1-1/2" (max)
- Max countertop thickness: 1-3/4"

Tools you will need:



Adjustable Wrench



Phillips Screwdriver

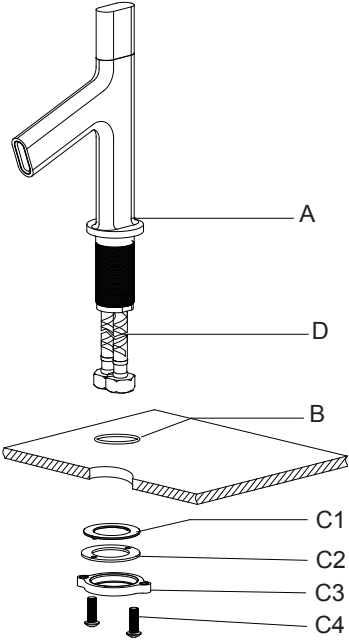


Safety Goggles

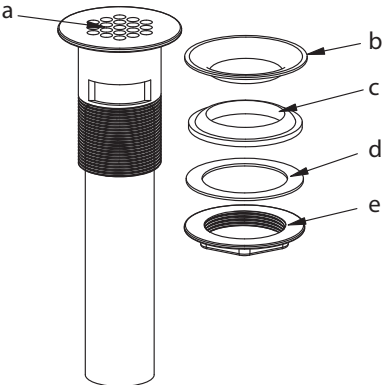


Bucket

Diagram and Parts List

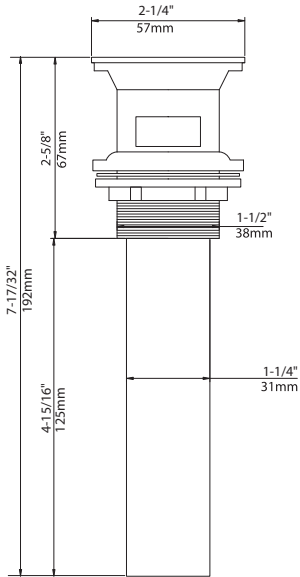
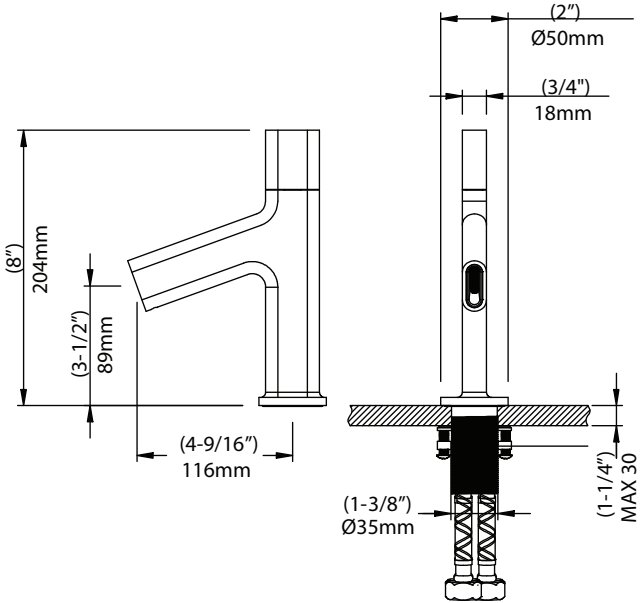


- A. Faucet Body
- B. Base O-Ring
- C. Mounting Hardware Assembly
 - C1. Rubber O-Washer
 - C2. Metal O-Washer
 - C3. . Mounting Nut
 - C4. Mounting Screws
- D. Waterlines

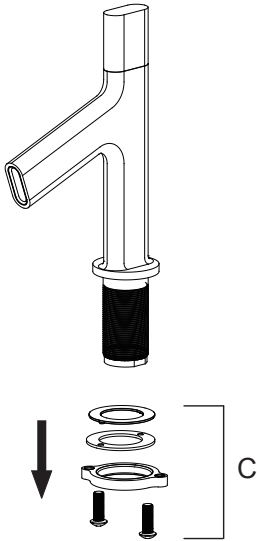


- a. Drain Body
- b. Rubber Washer
- c. Concave Washer
- d. Plastic Washer
- e. Mounting Nut

Faucet Dimensions

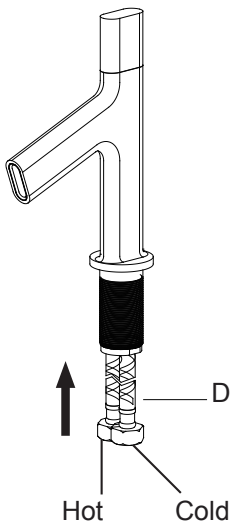


Step 1



Remove mounting hardware assembly (C)

Step 2

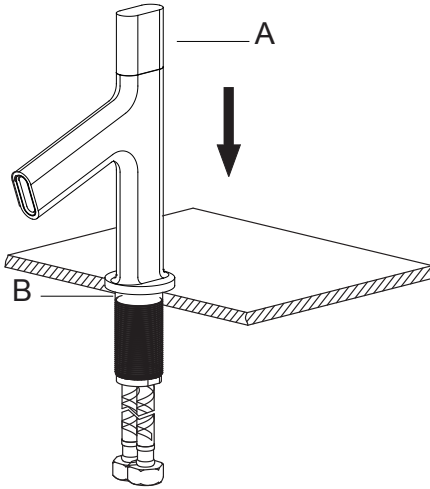


Install waterlines (D)

- Hot Side: Left
- Cold Side: Right

Installer Tip: HAND TIGHTEN ONLY

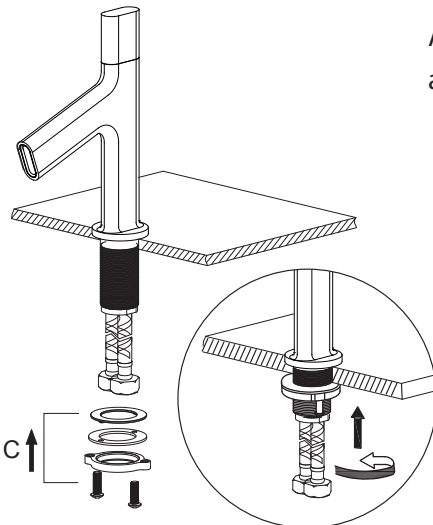
Step 3



Place faucet body (A) through 1-3/8" hole in countertop or sink with base o-ring (B) attached

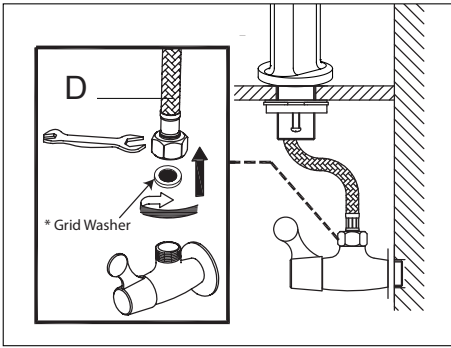
Installer Tip: Base o-ring (B) is embedded at base of faucet body (A)

Step 4



Attach mounting hardware assembly (C) and secure

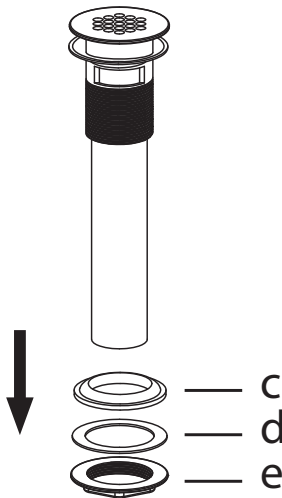
Step 5



Attach waterlines (D) to angle stops and tighten until snug. Turn on angle stops and check for leaks (DO NOT TURN FAUCET ON)

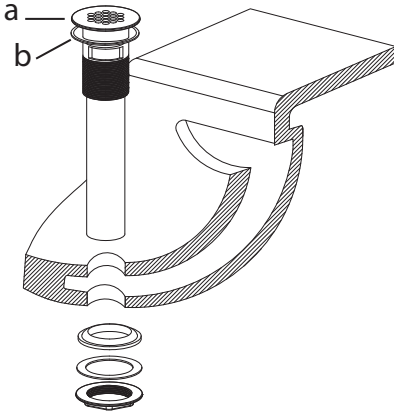
Installer Tip: Make sure *grid washer is installed at end of waterlines prior to installation

Step 6A



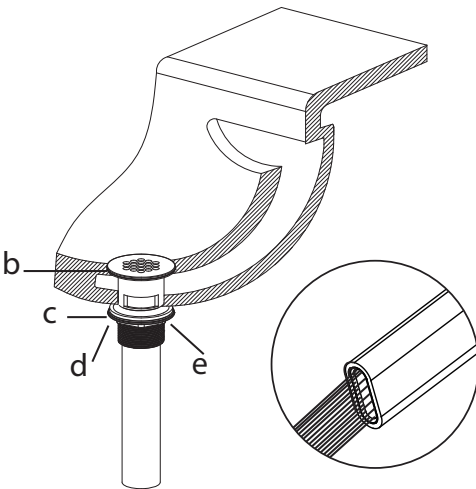
Remove washers (c & d) and mounting nut (e)

Step 6B



Place drain body (a) in sink drain opening with washer (b) attached

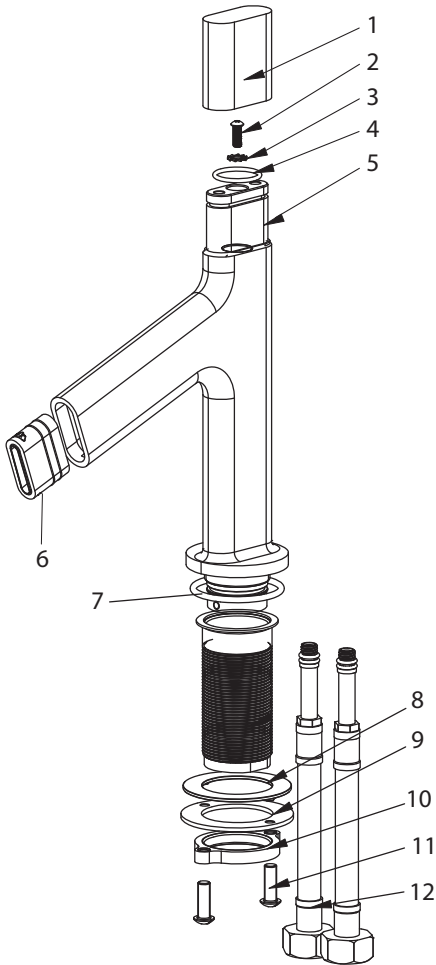
Step 6C



Attach washers (c & d) and secure with mounting nut (e). Tighten nut (e) until snug

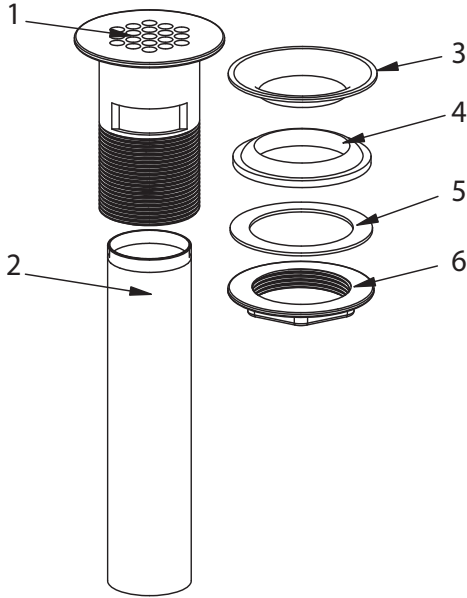
Installer Tip: After drain is installed, turn faucet on for one minute to remove any debris

Replacement Part List - KEF-15701



Parts	Part Number
1. Handle Cap	KP1000
2. Screw	KP1001
3. Washer	KP1002
4. O-Ring	KP1003
5. Plastic Sleeve	KP1004
6. Rubber Flow Guide	KP1005
7. Base O-Ring	KP1006
8. Rubber O-Washer	KP1007
9. Metal O-Washer	KP1008
10. Mounting Nut	KP1009
11. Mounting Screws	KP1010
12. Waterlines	KP1011

Replacement Part List - Grid Drain



Parts	Part Number
1. Grid Drain Body	KP1021
2. Grid Drain Tail Pipe	KP1022
3. Rubber Washer	KP1023
4. Concave Washer	KP1024
5. Plastic Washer	KP1025
6. Mounting Nut	KP1026

Trouble - Shooting

If you have followed the instructions carefully and your faucet still does not work properly, take the following corrective steps:

PROBLEM	CAUSE	ACTION
Leakage from the base of the faucet or angle stop	O-rings on waterlines (12) may be compromised	<ul style="list-style-type: none">• Make sure waterlines (12) are securely fastened on angle stops and base of faucet.• Make sure o-rings are secure at either end of waterlines (12)• Make sure waterlines (12) are not frayed or cracked
Drain is leaking	Washers may be compromised or installed incorrectly	Check washers to make sure they are installed correctly, and not cracked

Care & Maintenance

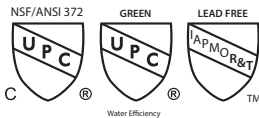
*To keep the product clean & shining, follow the steps below:



1. Rinse with clean water & dry with a soft cloth
2. Do not clean with soaps, acid, polish, abrasives, or harsh cleaners
3. Do not use cloth with a coarse surface
4. Unscrew the aerator and clean when necessary

*This installation manual is subject to change without further notice.

Codes/Standards Applicable:



NSF/ANSI 61



ASME A112.18.1M
1.2GPM 4.5L/min maximum

FAUCET WARRANTY

Kraus products are manufactured and tested to the highest quality standards by Kraus USA Inc. ("Kraus"). Kraus extends this warranty to the original purchaser for personal household use of the "**Faucet**" in its original location. The warranty is non-transferable.

Kraus warrants the structure and finish of the product to be free from defects in material and workmanship under normal usage for the lifetime of the product. The warranty commences from the initial date of purchase by the owner or trade professional, from an authorized Kraus dealer, through the lifetime of the original owner or end-user.

Kraus warrants the mechanical components (such as **sprayhead assembly**) of the product to be free from defects in material and workmanship under normal usage for a period of one (1) year. The warranty commences from the initial date of purchase by the owner or trade professional, from an authorized Kraus dealer, through the one (1) year term of the original owner or end-user.

Kraus warrants the mechanical component (**cartridge**) of the product to be free from defects in material and workmanship under normal usage for a period of five (5) years. The warranty commences from the initial date of purchase by the owner or trade professional, from an authorized Kraus dealer, through the five (5) year term of the original owner or end-user.

Any product reported to the authorized dealer or to Kraus as being defective within the warranty period will be repaired or replaced with a product of equal value at the option of Kraus. This warranty extends to the original owner or end-user, and is not transferable to a subsequent owner.

RESTRICTIONS

This warranty does not cover antediluvian, discontinued, or display products, whether such items are purchased at discount outlets, unauthorized dealers, and/or sold on clearance.

This warranty does not cover instances of negligence, misuse, abuse, improper installation, carelessness, accident, hard water or mineral deposits, exposure to corrosive materials, misapplication, damages caused by improper maintenance, alteration of the product, or failure to follow care or installation instructions enclosed with your product. Avoid using abrasive cleaners such as powders, bleach, ammonia, alcohol, or chlorine. Avoid using abrasive pads, steel wool, or wire brushes, as these will damage and wear down the finish.

This warranty does not apply to Products that have not been installed or operated in accordance with instructions supplied by Kraus and all applicable rules, regulations, and legislation pertaining to such installations.

This warranty does not apply unless the Kraus product is installed by a fully insured and licensed trade professional. Kraus insists that such professionals have experience in the installation of bathroom and kitchen manufactured goods.

This warranty does not cover labor charges or costs of removal and reinstallation of said product. This warranty does not allow recovery of incidental or consequential damages, such as loss of use, delay, property damage, or other consequential damages, and Kraus accepts no liability for such damages.

This warranty does not cover Marine or Outdoor Installation.

Except as otherwise provided above, Kraus makes no warranties, expressed or implied, including warranties of

merchantability and fitness for a particular purpose, or compliance with any code.

Shipping charges will be covered for the first (1) year of the warranted replacement part or product (HI, AK, and Puerto Rico shipping charges may apply). International shipping fees are not included.

COMMERCIAL WARRANTY

Kraus extends the above warranty for a period of one (1) year to purchasers of products for industrial, commercial, and business use.

All incidental or consequential damages are specifically excluded. No additional warranties, express or implied, are given, including but not limited to any implied warranty of merchantability or fitness for a particular purpose.

Some states do not allow the exclusion or limitation of incidental or consequential damages or limitations on how long an implied warranty lasts, so the above limitations or exclusions may not apply to you.

This warranty gives you specific legal rights, and you may also have other rights which vary from state to state.

If you are a homeowner please contact a Kraus Customer Service Representative at:

Kraus USA, Inc.
12 Harbor Park Drive
Port Washington, NY 11050
Toll-free 800-775-0703
Customerservice@kraususa.com

If you are a plumbing contractor or trade professional please contact a Kraus Pro Representative at:

Kraus USA, Inc.
12 Harbor Park Drive
Port Washington, NY 11050
516-801-8955
Proservice@kraususa.com

If you are an Authorized Partner please contact a Partner Support Representative at:

Kraus USA, Inc.
12 Harbor Park Drive
Port Washington, NY 11050
516-801-8954
Partnersupport@kraususa.com

In requesting warranty service, please be ready to provide:

1. Proof of purchase.
2. A description of the problem.

Download the Kraus Care & Maintenance Guide at:

<http://www.kraususa.com/maintenance>

IMPORTANT

Register Your Kraus Product

Activate Your Warranty

Access Premium Customer Support

Get Product Information

REGISTER TODAY

<http://www.kraususa.com/registration>



Kräus[®]
www.kraususa.com