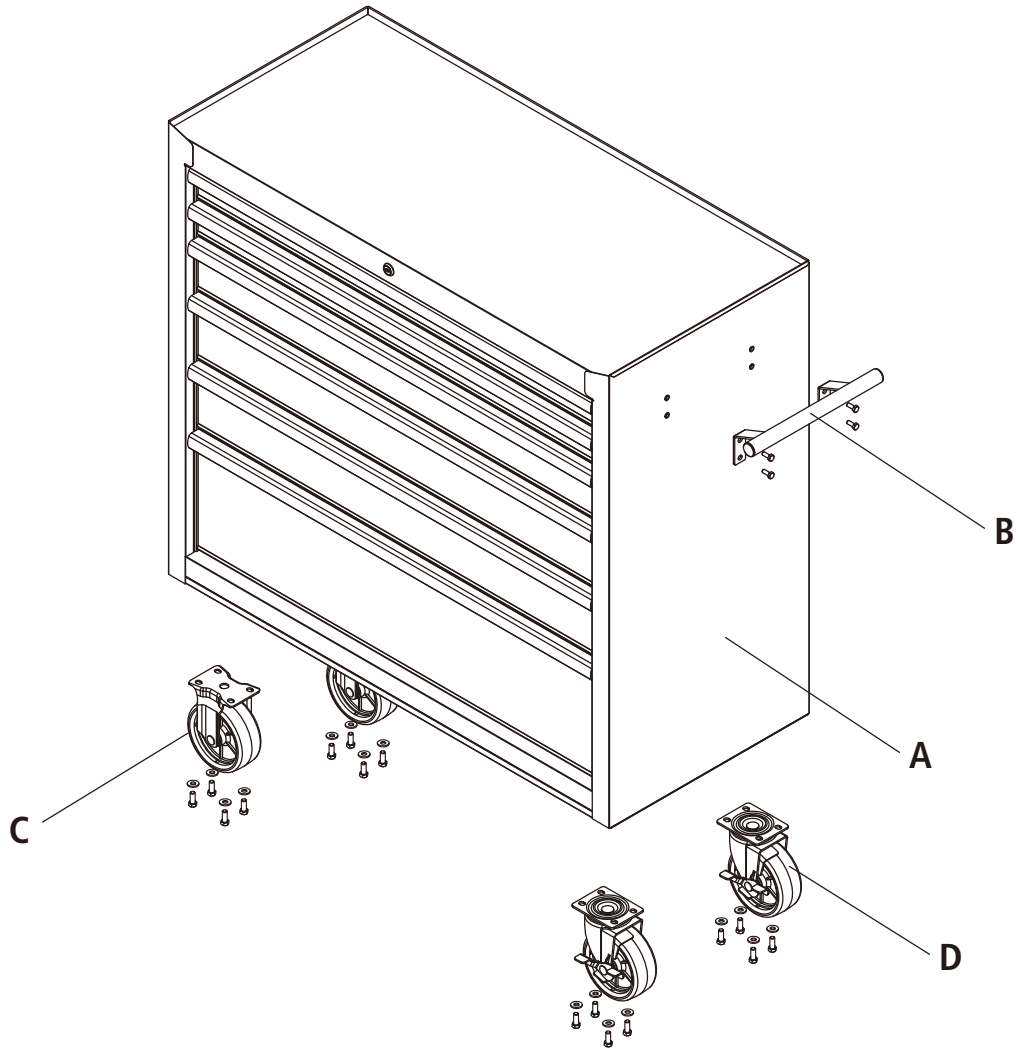


Package Contents



NOTE: The keys are taped to the top of the unit.



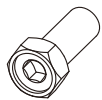
Part	Description	Quantity
A	Cabinet	1
B	Cabinet handle	1
C	Fixed caster	2
D	Swivel caster	2

Package Contents

HARDWARE INCLUDED



NOTE: Hardware not shown to actual size.



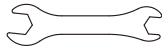
AA



BB



CC



DD

Part	Description	Quantity
AA	M8 x 25 bolt	16
BB	Washer	16
CC	M6 x 16 bolt	4
DD	Wrench	1

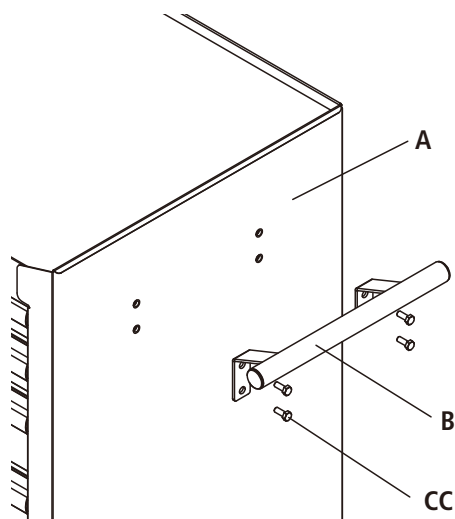
Assembly

1 Attaching the cabinet handle

- Position the cabinet handle (B) over the holes on the cabinet (A).
- Attach with the bolts (CC) and tighten with a wrench (DD).



NOTE: The holes in the cabinet are tapped and do not require nuts.



2 Attaching the casters

- Be sure the drawers are locked and lay the cabinet (A) on its top. Use packaging material to protect the finish.
- Attach the swivel casters (D) to the unit, on the same side as the handle, inserting bolts (AA) through washers (BB), the swivel casters (D) and into the cabinet (A).
- Tighten with a wrench (DD).
- Repeat this process for the fixed casters (C) on the opposite side of the cabinet (A).
- Return the cabinet (A) to its upright position.



CAUTION: Do not over tighten the bolts.

