

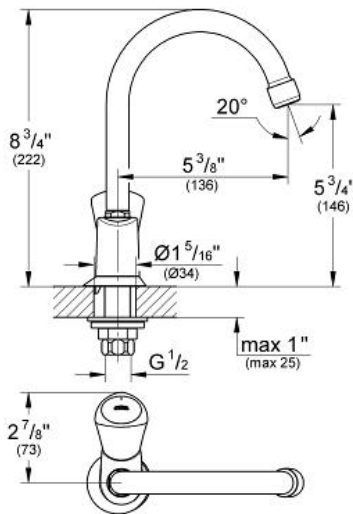
COSTA S Pillar tap

MODEL # 20179001

Pure Freude an Wasser



GROHE America, Inc | 200 North Gary Avenue, Suite G, Roselle, IL 60172
Phone: +1 (800) 444-7643 | Fax: +1 (800) 225-2778 | us-customerservice@grohe.com



Product Description:
Pillar tap

Standard Specification:

- Metal grip handle
- Heat-insulated
- Threaded
- **GROHE StarLight** finish
- Ceramic cartridge
- Flow straightener
- Swivel Spout
- Swivel area 360°
- 1/2" union nut with 7/16" drilling
- Max Flow Rate: 1.75 gpm (6.6 L/min)

Applicable Codes & Standards:

- Energy Policy Act of 1992
- NSF 61
- ASME A112.18.1/CSA B125.1
- US Federal and State material regulations

Color:

- 20179001 001 chrome

