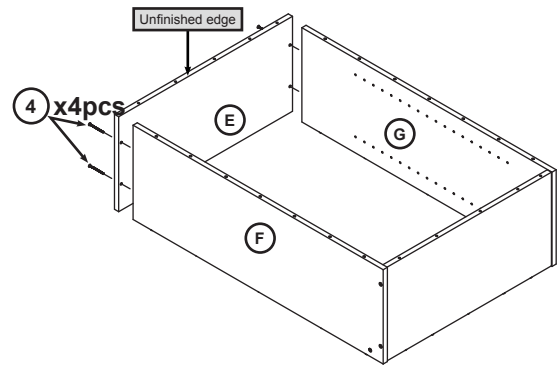
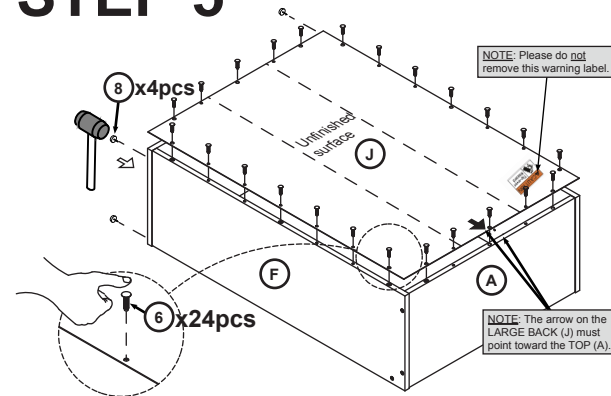


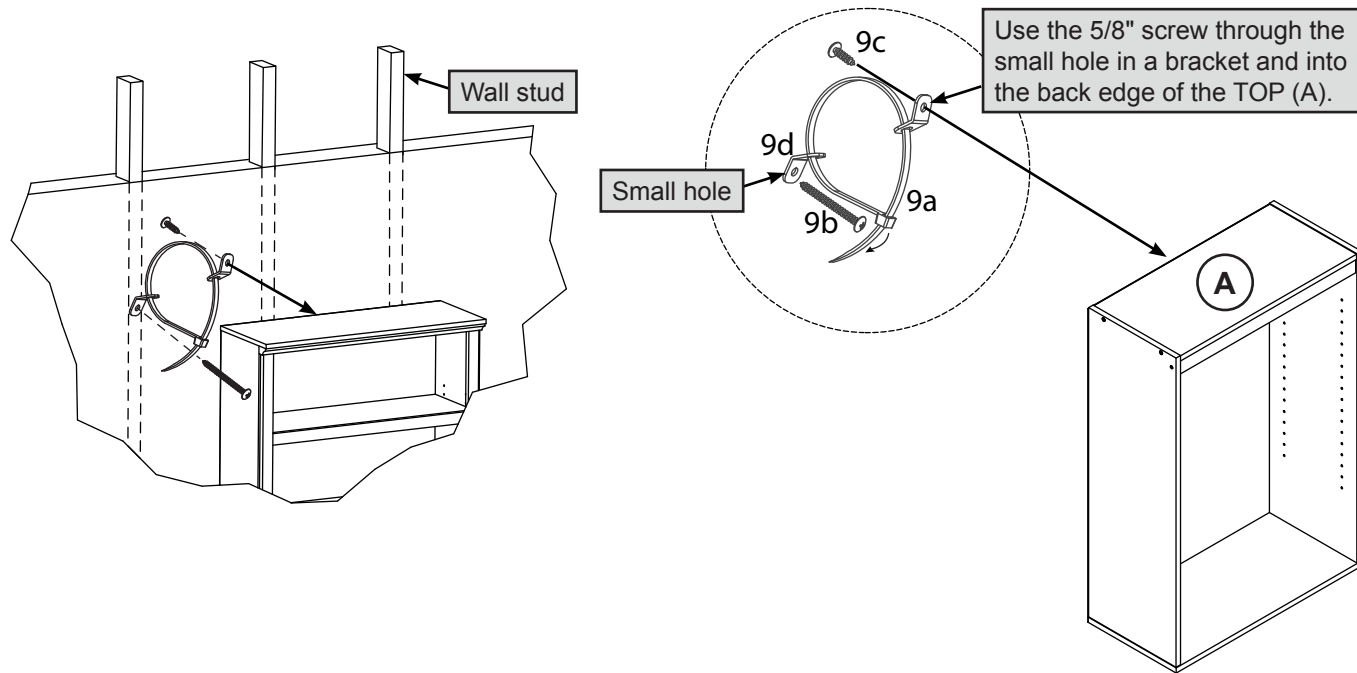
## STEP 4



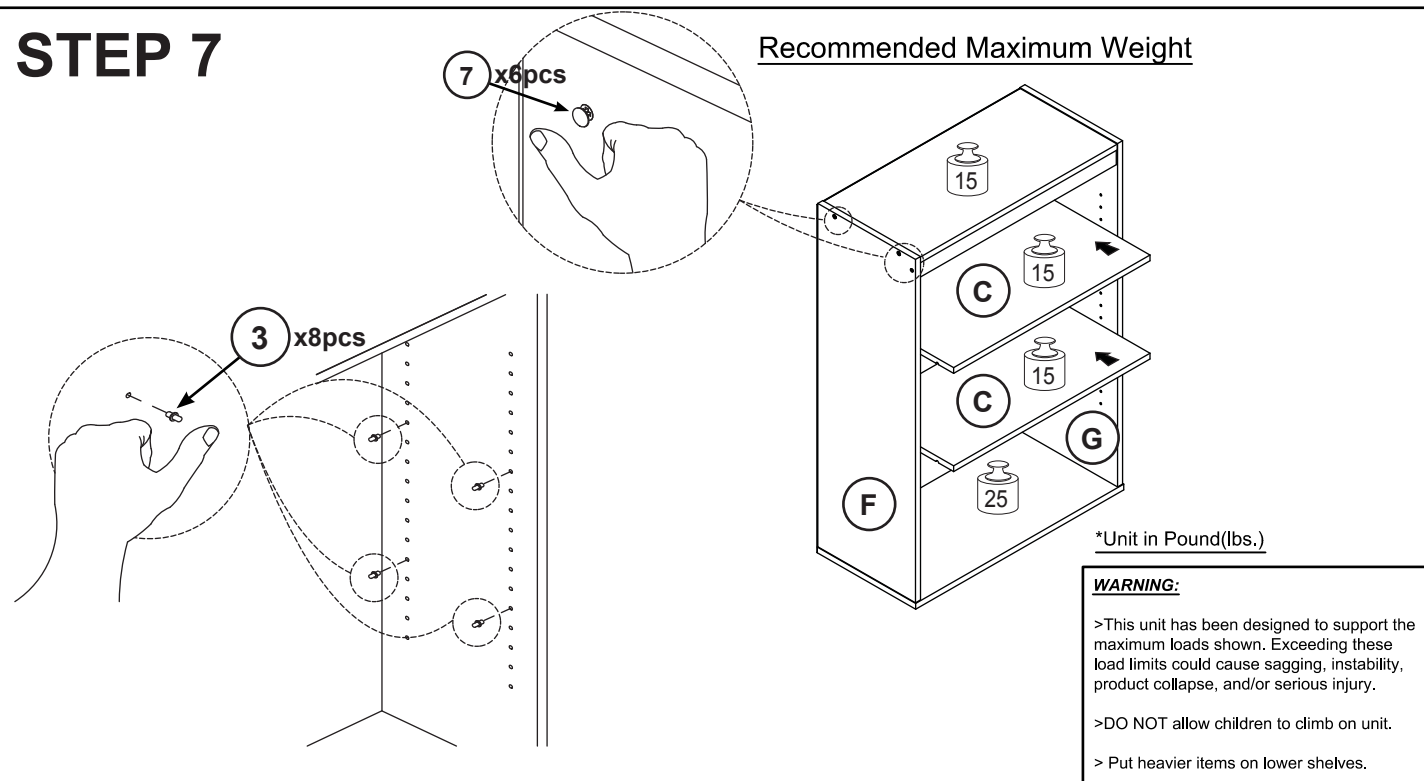
## STEP 5



## STEP 6



## STEP 7



## Assembly Instruction

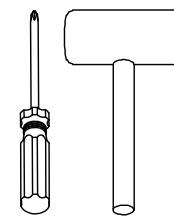
### Furinno Pasir 3-Tier Open Shelf

00:30

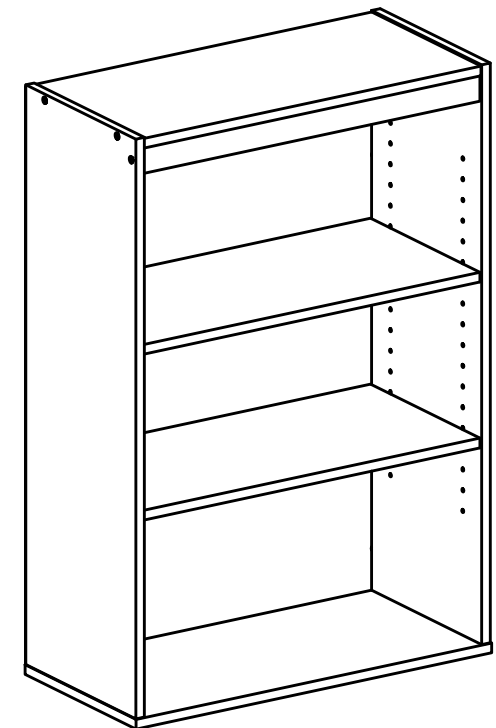
Approx. 30 minutes



Recomm. 1 Person



Tool Required











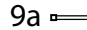
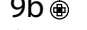

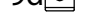
### Customer Support


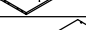


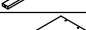


**NEED HELP?** For replacement requests or product inquiries, please contact our Customer Service Team by emailing us at [support@furinno.com](mailto:support@furinno.com). Thank you for selecting Furinno!

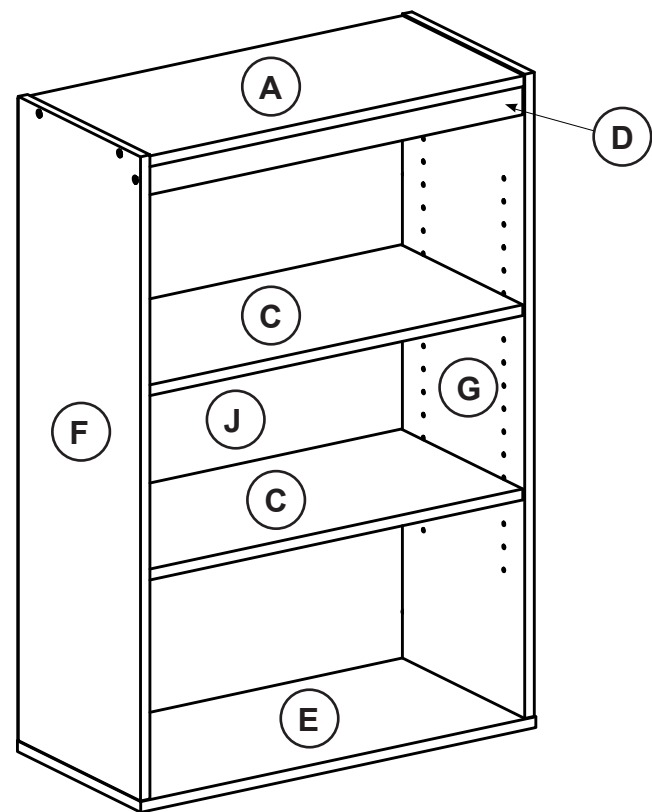
[www.furinno.com](http://www.furinno.com)



# HARDWARE & PARTS LIST

NO	HARDWARE LIST	QTY
1	SMALL SCREW 	4 PCS
2	ANGLE BRACKET 	2 PCS
3	SHELF SUPPORT 	8 PCS
4	LARGE SCREW 	10 PCS
5	WOOD DOWEL 	4 PCS
6	STOPPER 	24 PCS
7	SCREW COVER CARD 	6 PCS
8	NAIL LEG 	4 PCS
9	WALL MOUNT SET 9a  x 1 PC 9b  x 1 PC 9c  x 1 PC 9d  x 2 PCS	1 SET

NO	PARTS LIST	QTY
A	TOP PANEL 	1PC
C	ADJUSTABLE SHELF PANEL 	2 PCS
D	SKIRT BAR 	1 PC
E	BOTTOM PANEL 	1 PC
F	LEFT SIDE PANEL 	1 PC
G	RIGHT SIDE PANEL 	1 PC
J	BACK PANEL 	1 PC



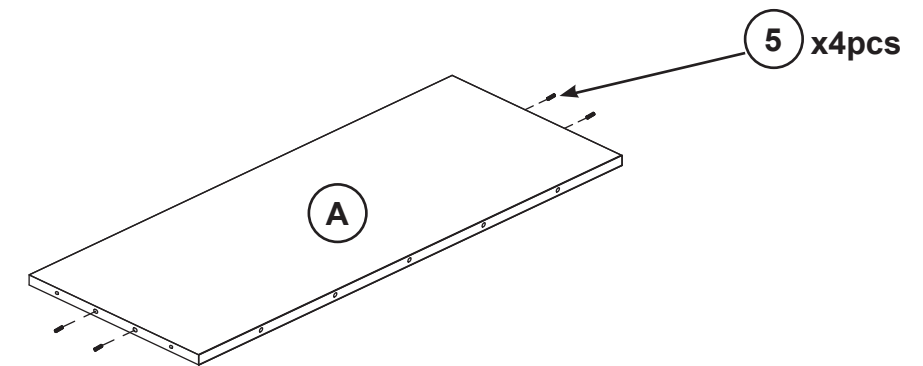
## USEFUL HINTS BEFORE YOU START:

1. Read each step carefully before starting.
2. It is important that each step is performed in correct order to avoid difficulties.
3. Identify, sort and count the parts before assembly.
4. Assemble your furniture on packaging cardboard to prevent scratch or damage.
5. Clean the product with mild cleanser using soft damped cloth. Do not use harsh or abrasive cleanser.
6. Using incompatible hardware might cause damage to product.

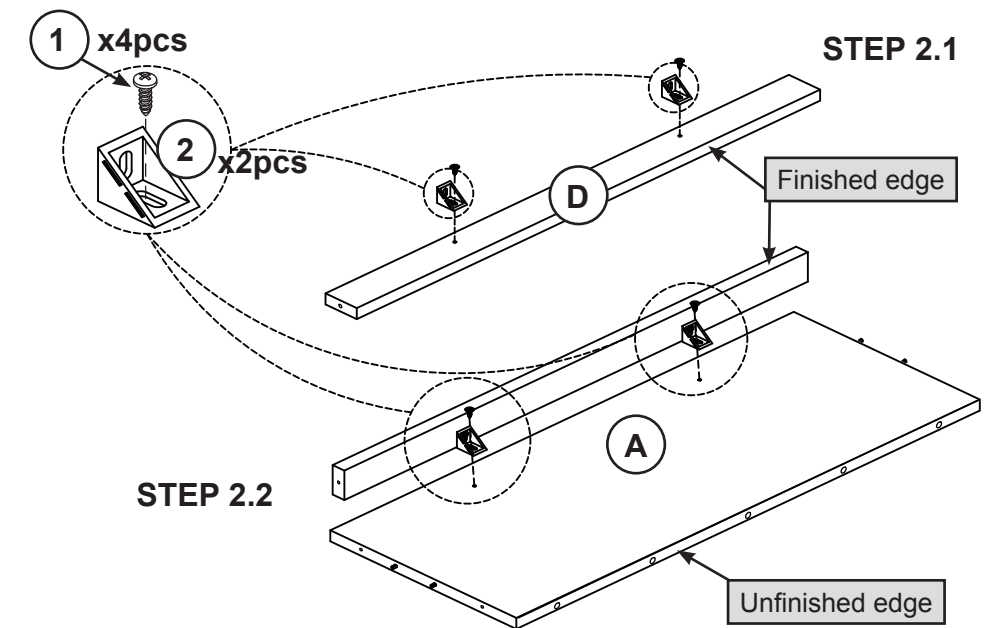
# ASSEMBLY INSTRUCTIONS

BEFORE YOU BEGIN, PLEASE READ ASSEMBLY INSTRUCTION CAREFULLY, FOLLOW THEM STEP BY STEP.

## STEP 1



## STEP 2



## STEP 3

