

**Single Handle Pull-Down Kitchen Faucet
Installation Instructions
Models: S-3510-PD-1.5 / SK0920-PD-1.5**

COMPLIANCE

ASME A112.18.1/CSA B125.1
NSF/ANSI 61.9, NSF/ANSI 372



IMPORTANT / FOR INSTALLER

⚠ WARNING:

As the installer of this faucet, you **must** first carefully read and understand the material covered in this manual before installation. Leave this manual for the owner's or user's reference.

Water lines **must** be thoroughly flushed **before** and **after** installing the faucet to prevent foreign matter i.e. copper chips, sand, stones, etc. from clogging and possibly damaging the sealing surfaces of the cartridge.

LIFETIME LIMITED WARRANTY

All warranty claims **MUST** be pre-approved by Symmons.

All parts and finishes of the Symmons products are warranted to the original consumer purchaser to be free from manufacturing defects in material and workmanship for 5 years Non-Residential or Commercial Applications. Symmons warrants to the original consumer purchaser/ end-user that any Symmons product will be free of defects in material and workmanship during normal domestic use for the life of your home.

Symmons recommends using a professional plumber for all installation and repair. During the warranty period, Symmons at its sole option, will provide replacement part(s) or product (or, if no longer available, a comparable product) to replace those which have proven defective in materials or workmanship under normal installation, use and service, **FREE OF CHARGE** for the time period of 5 years from the date of purchase. (BATTERIES NOT INCLUDED)

This warranty is extensive in that it covers replacement of all defective parts and even finish, but these are the only two things that are covered. Damage due to installation error, product abuse, product misuse, or use of cleaners containing abrasives, alcohols, or other organic solvents, whether performed by a contractor, Service Company or yourself are excluded from this warranty. Symmons will not be responsible for labor charges and/or damage incurred in installation or repair or replacement, nor for any indirect, incidental or consequential damages, losses, injury or costs of any nature relating to the bathing

products. Except provided by law, this warranty is in lieu of and excluded all other warranties, conditions and guarantees, whether expressed or otherwise, including without restriction those of merchantability or of fitness for use.

Some states do not allow the exclusion or limitation of incidental or consequential damages, so the above limitation of exclusion may not apply to you. This warranty gives you specific legal rights, and you also may have other rights which vary from state to state. This warranty is not transferable. This warranty does not cover damage or defects relating to misuse, abuse, negligence, normal wear and tear, accident, acts of God, repairs or alterations not authorized in writing by Symmons, or improper installation, storage or handling.

The above mentioned warranty information includes each product that falls under the following: Symmons Bathing Products Warranty- Non-Residential or Commercial Applications; Symmons Non-Electronic Lifetime Faucet and Finish Limited Warranty Non-Residential or Commercial Applications; Symmons Electronic Faucet Limited Warranty - Non-Residential, Commercial and Residential Applications; Symmons Bathing Products Warranty- Residential Application Symmons Non-Electronic Lifetime Faucet and Finish Limited Warranty Residential Application

If you have any questions regarding technical support, installation or concerns regarding our warranty plan, please email us at GetHelp@symmons.com or call us at: 1-800-796-6667.

RECOMMENDED TOOLS



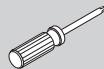
Adjustable Wrench



2.5mm Hex Key



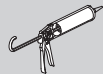
Measuring Tape



Phillips Head Screwdriver



Safety Glasses

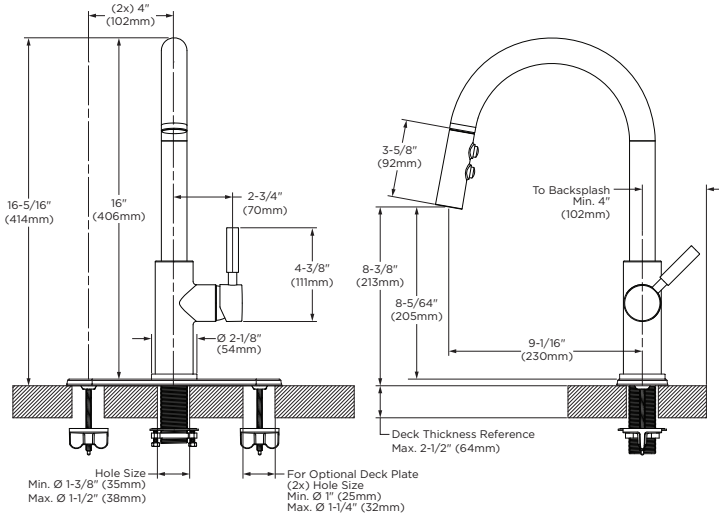


Silicone



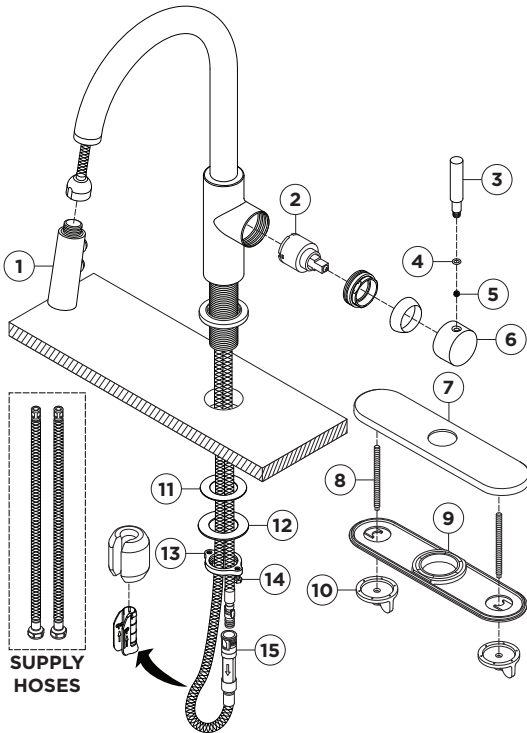
Soft Jaw Pliers

DIMENSIONS AND MEASUREMENTS



Note: Dimensions subject to change without notice.

PARTS BREAKDOWN



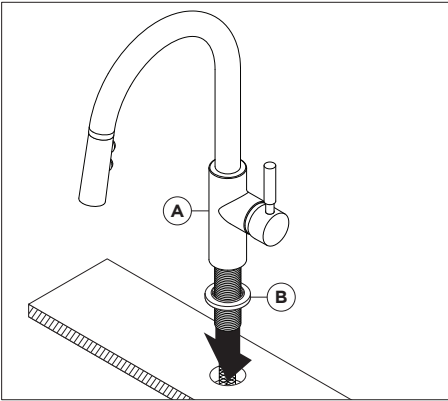
REPLACEMENT PARTS		
Item	Description	Part Number
1	Wand	RK-054*
2	Cartridge	KN-4
3	Lever	RK-055*
4	O-ring	
5	Set Screw	
6	Handle Hub	
7	Deck Plate	RK-057*
8	Shank	
9	Gasket	
10	Mounting Nuts	
11	Plastic Washer	RK-028
12	Metal Washer	
13	Mounting Nut	
14	Mounting Screws	
15	1.0 gpm Adapter	RK-060-1.0
	1.5 gpm Adapter	RK-060-1.5
	2.2 gpm Adapter	RK-060-2.2

*Append finish code to part number for premium finish.

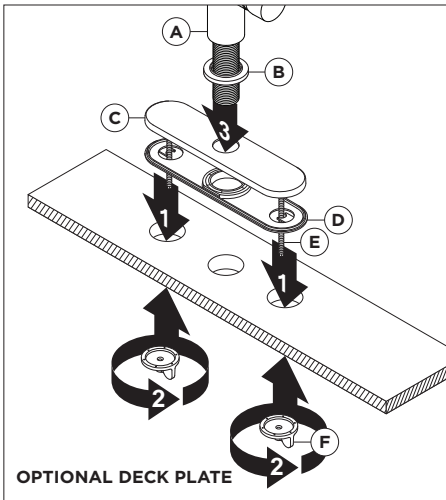
Notes:

- 1) Apply a bead of silicone around the perimeter of trim installed flush to sink.
- 2) DO NOT use plumber putty or plumber tape on fittings with face seal washers or o-ring seals.
- 3) DO NOT OVERTIGHTEN fittings with face seal washers or o-ring seals.

1. Mount Faucet



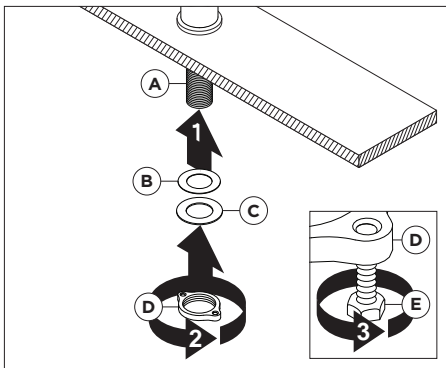
1. Install faucet (A) and faucet flange (B) to deck surface.



Optional Deck Plate:

1. Assemble deck plate (C), gasket (D) and deck plate shanks (E). Place deck plate assembly onto three hole deck surface.
2. Once deck plate is centered, hand tighten mounting nuts (F) to secure.
3. Install faucet (A) and faucet flange (B) to deck plate surface.

2. Secure Faucet Mounting Hardware

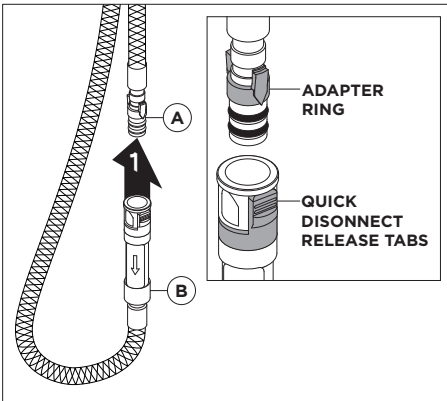


1. From below deck, slide plastic washer (B) and metal washer (C) onto threaded faucet body (A).
2. Thread mounting nut (D) onto faucet body.
3. Secure mounting hardware to deck with mounting screws (E).

Note: Hoses have been removed for clarity.

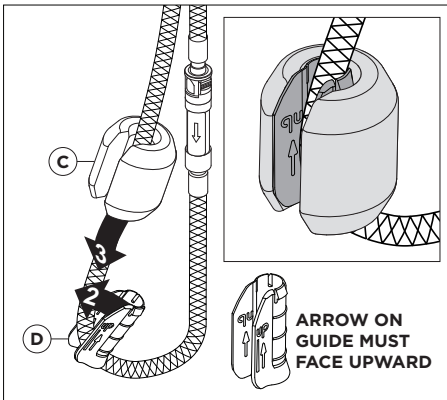
FAUCET INSTALLATION

3. Connect Pull-Down Hose



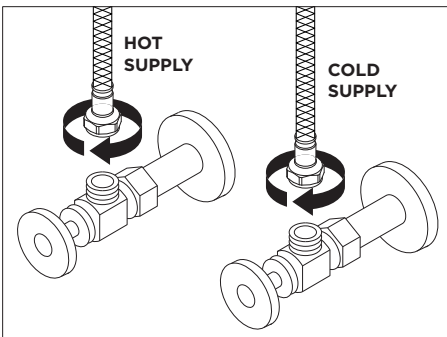
1. Attach quick disconnect adapter (B) to the pull-down hose adapter (A). Arrows on adapter ring **must** be aligned with quick disconnect release tabs for full engagement.

Note: Press both quick disconnect release tabs to easily disconnect adapters.



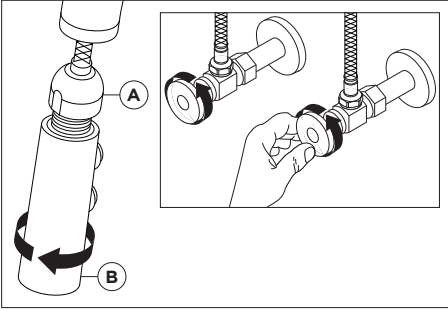
2. Orient guide (D) so arrow is facing upward. Slide bottom of guide onto pull-down hose before attaching top of guide.
3. Attach counterweight (C) to pull-down hose. Slide counterweight over top of guide. Push counterweight down so it holds guide.

4. Connect Water Supply Lines

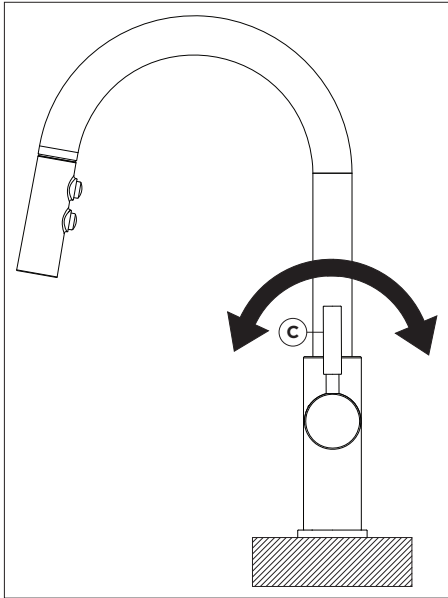


1. Connect hot supply hose (on left side) and cold supply hose (on right side) to supply outlets.

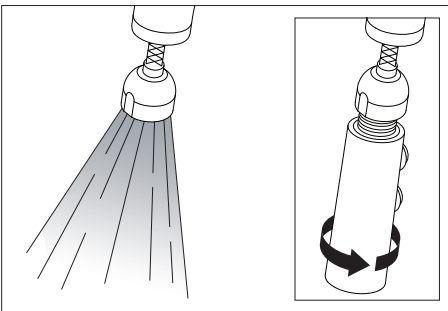
Notes: DO NOT use plumber putty or plumber tape on fittings with face seal washers or o-ring seals. DO NOT OVERTIGHTEN fittings with face seal washers or o-ring seals.

5. Flush Supply Lines

1. Remove wand (B) from pull-down hose fitting (A). With faucet handle in the off position, turn on supply outlets.



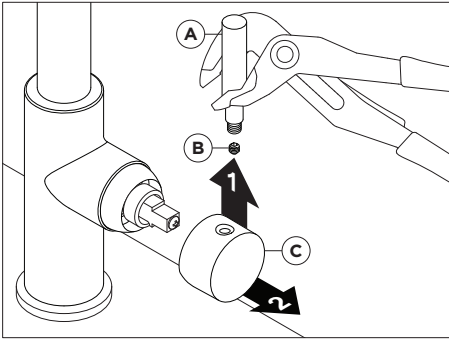
2. Turn handle (C) slowly toward the hot position, then the cold position. Check for leaks, debris and foreign matter.



3. After faucet supply lines have been flushed, install wand to pull-down hose fitting.

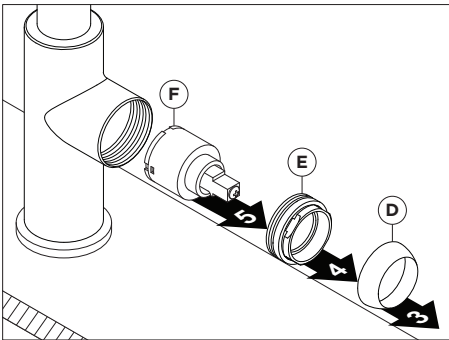
SERVICE & MAINTENANCE

1. Remove Cartridge



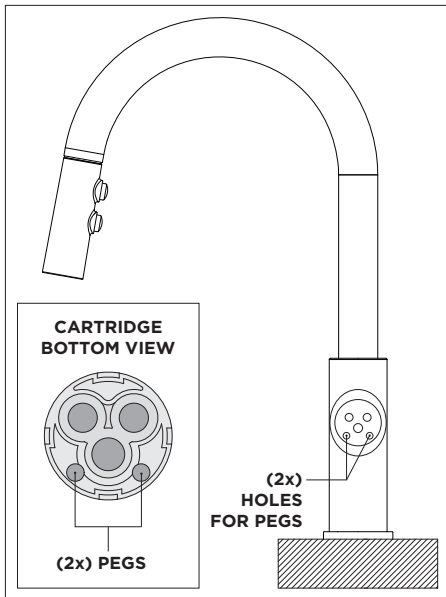
1. Remove lever (A) from handle hub (C) with soft jaw pliers as to avoid damaging finish on lever handle. Use 2.5mm hex key to remove set screw (B) from handle hub.
2. Remove handle hub (C) from faucet.

⚠ IMPORTANT: Soft jaw pliers **must** be used on lever handle to avoid damaging decorative finish.



3. Remove decorative collar (D).
4. Remove compression nut (E).
5. Remove cartridge (F) from faucet body. Inspect cartridge for debris and replace cartridge if necessary.

2. Replace Cartridge




1. Orient cartridge so pegs align with holes in faucet body (see illustration to the left for reference.)
2. To install cartridge, reverse steps 1-5 in the **Remove Cartridge** section above.

TROUBLESHOOTING CHART

PROBLEM	CAUSE	SOLUTION
Faucet no longer maintains accurate temperature.	Foreign matter such as copper chips, sand, stones, etc. clogging the cartridge ports and/or damaging the sealing surfaces of the cartridge.	Remove cartridge and inspect for debris. Replace cartridge if necessary.
Flow is irregular.	Accumulation of sediment in cartridge.	Remove cartridge and inspect for debris. Replace cartridge if necessary.
Same as above.	Accumulation of sediment in spray wand.	Remove and clean spray wand.
Pull-down hose will not retract.	Pull-down hose is not properly weighted to allow hose to retract.	Install counterweight to pull-down hose or adjust counterweight.
Handle is loose.	Set screw has loosened.	Tighten set screw.
Finish is spotting.	Elements in water supply may cause water staining on finish.	Clean finished trim area with a soft cloth using mild soap and water or a non-abrasive cleaner and then quickly rinse with water.

S-3510-PD-1.5 MODIFICATION REFERENCE

MODIFICATION OPTION	MODIFIED MODEL NUMBER
DELETE SUFFIX -1.5 FOR 2.2 GPM (8.3L/MIN) AERATOR	S-3510-PD
8 INCH DECKPLATE (-DP)	S-3510-PD-DP-1.5
STAINLESS STEEL FINISH (-STS)	SP-3510-ST5-PD-1.5 / SK0920-PD-ST5-1.5

 **WARNING:** This product can expose you to chemicals including lead, which is known to the state of California to cause cancer, birth defects, or other reproductive harm. For more information, go to www.P65Warnings.ca.gov.

Symmons Industries, Inc. ■ 31 Brooks Drive ■ Braintree, MA 02184

Phone: (800) 796-6667 ■ Fax: (800) 961-9621

symmons.com ■ gethelp@symmons.com

Copyright © 2019 Symmons Industries, Inc. ■ 012319