



Item Number: 1004171291
Model Number: ERZ782478W4R

V4tb

4-LEVEL WELDED STEEL STORAGE RACK 77"W x 24"D x 78"H

Warranty

GUARANTEED FOREVER. If your Husky tool or storage unit ever fails bring it back and we will replace it for free. This full warranty gives you specific rights which vary from state to state. If this product is defective contact the manufacturer for repair or replacement parts.

Contents

Description	Quantity	Part Number
A: frame	2	ERF7824-R
B: beam	8	ERB72-R
C: tie channel	12	ER-V4-TB-R
D: wire deck	4	RWD2472-BLK
E: plastic push clip	16	BBC.118B

General Instructions

Assembly of this unit is done by fitting the brackets of the beams into the slots of the post frames.

A rubber mallet should be used on the ledge of the beams to properly seat the beam brackets. If a hammer is used care should be taken to protect the beam surface to avoid damage by using a protective cloth or block of wood.

The stepped surface of the beam ledge is the top, and should face upwards. This is the surface that the wire deck will rest on.

A bracket should engage and fit firmly into the tapered slot of the post frame. This engagement is a tight swaged fit and will apply resistance as it fully engages. A visual inspection should be made to show that the bracket is properly engaged in the slot.

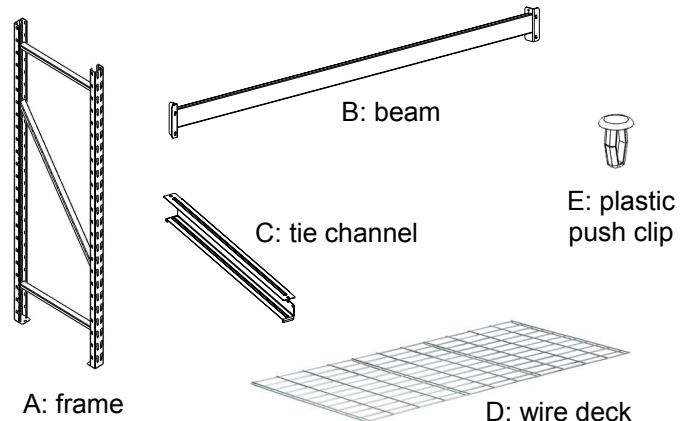
After assembly re-check each beam for proper engagement.

Items you might find helpful

Rubber Mallet, Gloves



Components



Safety Instructions

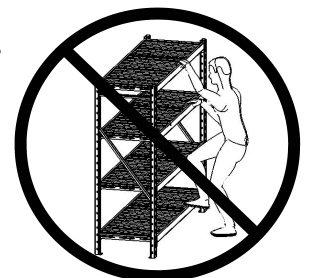
This unit should be placed on a level surface. Failure to do so can result in poor product performance or create a possible safety hazard.

This unit should be securely anchored to a wall or floor with suitable fasteners, which are not included.

Do not use this unit for anything other than the manufacturer's intended purpose.

DO NOT STAND ON ANY PART OF THE UNIT, OR USE IT AS A LADDER.

Use care when working with metal parts. Wear gloves for protection.



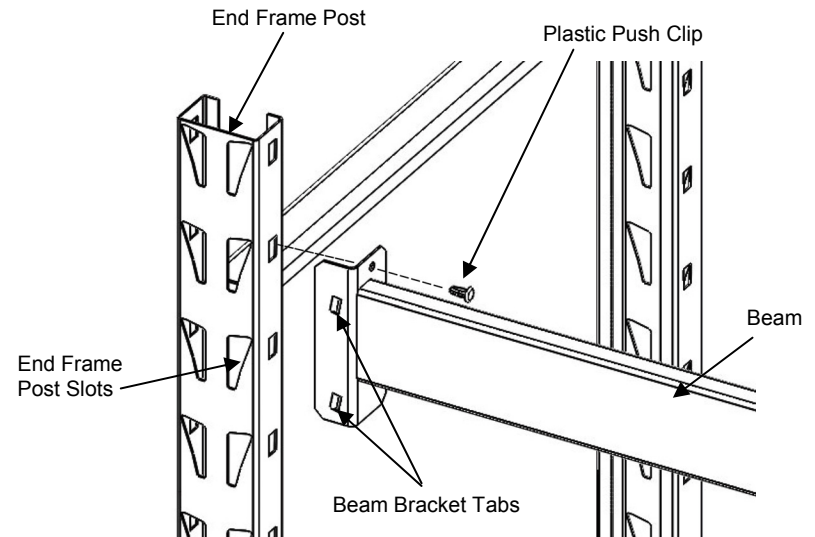
Evenly distribute the weight on each level and always keep the heavier loads on the bottom.

Assembly Instructions

ERZ782478W4R

- Attach the beams to the welded end frame posts (see figure 1) starting at the bottom level by using both end frames to establish the left and the right sides of the units.
- After a beam has been placed in both end frame post slots, tap the beam down at both ends with a rubber mallet to help drive the beam bracket tabs into the slots to secure the beam. Continue assembling each level from bottom to top level (front and back).
- If the beam bracket tabs become bent due to mishandling, it may be necessary to adjust the tabs back to their proper form.
- Place a plastic push clip into the hole of the beam end bracket, then tap the plastic clip with a mallet to drive it into the square hole of the end frame post to secure the beam to the end frame (see figure 1).

Figure 1



- The completed unit should have four (4) levels evenly spaced for maximum stability.
- Although the beams are adjustable in height, it's recommended to evenly space them so that the stability of the unit is not compromised.
- Install (3) tie channels in each level by inserting the tab located on both ends of the tie channel into the slot holes located along the inside bottom edge of the beams (see figure 2).
- Insert wire deck on each level (figure 3).
- Assembly is now complete

Figure 2

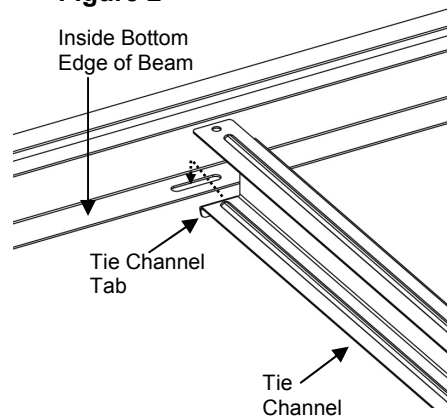
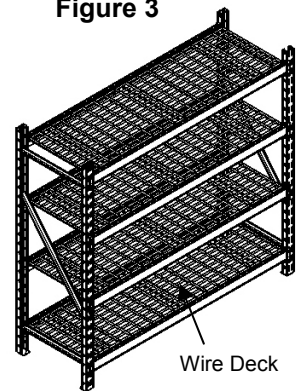


Figure 3




- Husky Welded Storage Rack is engineered to offer maximum flexibility as well as ease and quickness of assembly. The rack units can stand individually, or for greater stability, be joined together using the common post.
- Individual beams can be adjusted without disturbing the beams in adjoining units.
- These instructions should be followed exactly. All parts supplied must be used as shown. Any alteration or deviation from this instruction sheet can result in unit failure.
- After the unit is assembled, it must be placed on a level surface for safety, and optimal product performance.

Questions, problems, damage or missing part? Contact Husky's partnered manufacturer for assistance:

 **Chat:** www.edsal.com/chat or www.edsal.com/contact

 **Email:** support@edsal.com

 **Phone:** 773-475-3131

To obtain replacement parts please provide:

Model Number, Part Number & Description, Location Purchased, and Date Purchased

Edsal Manufacturing
Chicago, IL 60609

US Patents & Patents Pending

Assembled in USA
using global components

Rev: C020819_V4