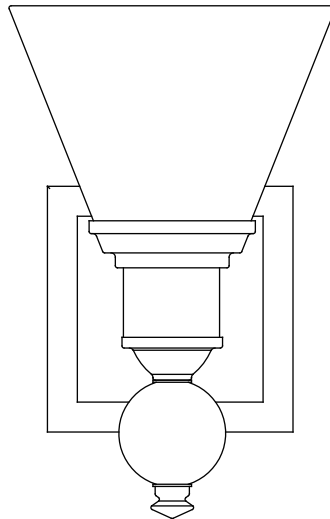


# USE AND CARE GUIDE

---

## 1-LIGHT VANITY LIGHT



Questions, problems, missing parts? Before returning to the store,  
contact Fifth and Main Customer Service at [fifthandmainsupport@troycsl.com](mailto:fifthandmainsupport@troycsl.com).

---

### THANK YOU

*We appreciate the trust and confidence you have placed in Fifth and Main Collection through the purchase of this 1-LIGHT VANITY LIGHT.  
We strive to continually create quality products designed to enhance your home. Thank you for choosing Fifth and Main!*

# Table of Contents

Table of Contents.....	2	Tools Required.....	3
Safety Information.....	2	Hardware Included.....	3
Warranty.....	2	Package Contents.....	4
What is Covered.....	2	Installation.....	5
What is Not Covered.....	2	Care and Cleaning.....	7
Pre-installation.....	3	Troubleshooting.....	7
Planning Installation.....	3		

# Safety Information



**WARNING:** Carefully read and understand the information given in this manual before beginning the assembly and installation of the product. Failure to do so could lead to electric shock, fire, or other injuries which could be hazardous or even fatal.

## NOTICE:

Suitable for damp locations.



**WARNING:** Be sure the electricity to the wires you are working on is shut off. Either remove the fuse or turn off the circuit breaker.

**NOTICE:** The luminaires shall be installed by a qualified electrician or person who is familiar with the luminaires.

**NOTICE:** Changes or modifications not expressly approved by the party responsible for compliance could void the user's authority to operate the product.

# Warranty

## WHAT IS COVERED

The manufacturer warrants this lighting fixture to be free from defects in materials and workmanship for a period of three (3) years from date of purchase. This warranty applies only to the original consumer purchaser and only to products used in normal use and service. If this product is found to be defective, the manufacturer's only obligation, and your exclusive remedy, is the repair or replacement of the product at the manufacturer's discretion, provided that the product has not been damaged through misuse, abuse, accident, modifications, alterations, neglect, or mishandling.

## WHAT IS NOT COVERED

This warranty shall not apply to any product that is found to have been improperly installed, set-up, or used in any way not in accordance with the instructions supplied with the product. This warranty shall not apply to a failure of the product as a result of an accident, misuse, abuse, negligence, alteration, faulty installation, or any other failure not relating to faulty material or workmanship. This warranty shall not apply to the finish on any portion of the product, such as surface discoloration and/or weathering, as this is considered normal wear and tear.


The manufacturer does not warrant and specifically disclaims any warranty, whether express or implied, of fitness for a particular purpose, other than the warranty contained herein. The manufacturer specifically disclaims any liability and shall not be liable for any consequential or incidental loss or damage, including but not limited to any labor/expense costs involved in the replacement or repair of said product.

Contact the Customer Service Team at [fifthandmainsupport@troycsl.com](mailto:fifthandmainsupport@troycsl.com).

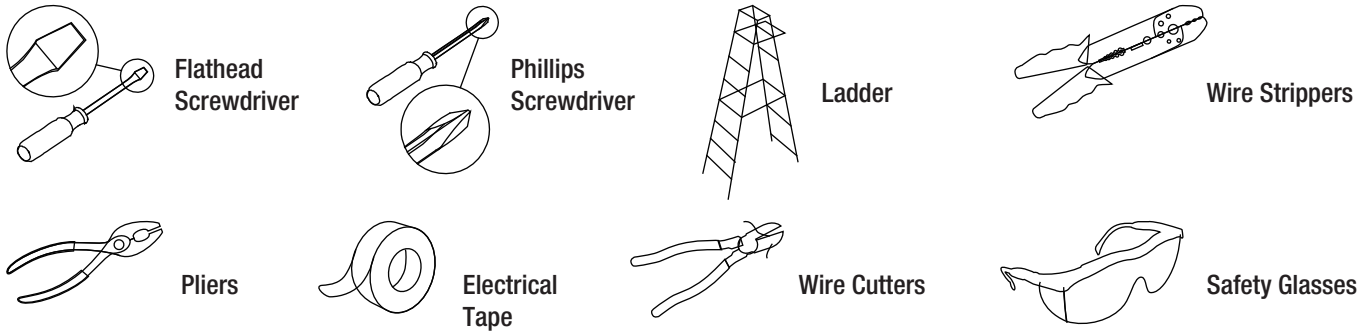
# Pre-Installation

## PLANNING INSTALLATION

Read all instructions before installation. Before starting the installation of this fixture or the removal of a previous fixture, disconnect the power by turning off the circuit breaker or by removing the fuse at the fuse box. To avoid damaging this product, assemble it on a soft, non-abrasive surface such as carpet or cardboard.

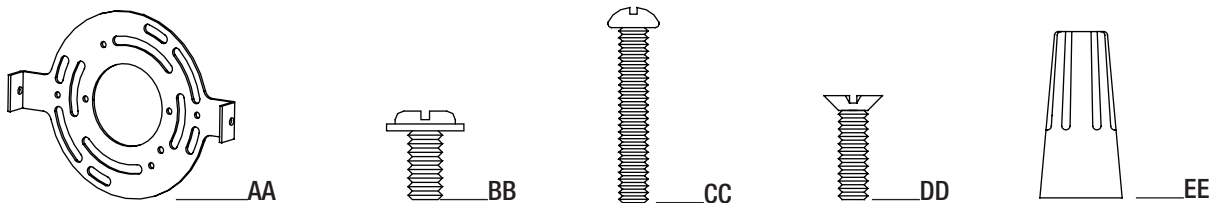
 **NOTE:** Keep your receipt and these instructions for proof of purchase.

## TOOLS REQUIRED



## HARDWARE INCLUDED

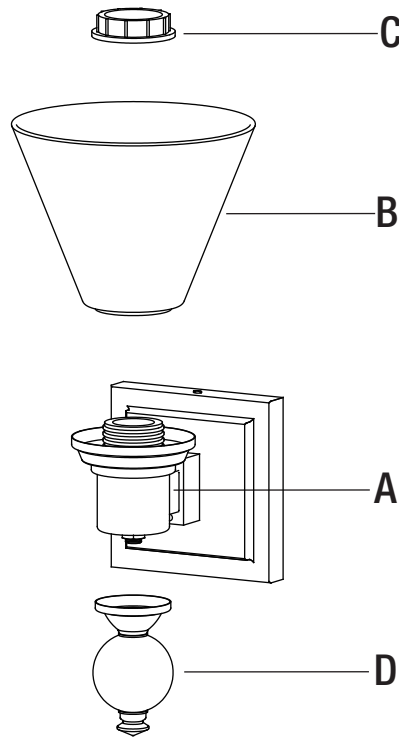
 **NOTE:** Hardware not shown to actual size.



Part	Description	Quantity
AA	Cross Bar	1
BB	Ground Screw (preassembled to Cross Bar (AA))	1
CC	Outlet Box Screw	2
DD	Mounting Screw (preassembled to Cross Bar (AA))	2
EE	Wire Connector	3

# Pre-Installation (continued)

## PACKAGE CONTENTS

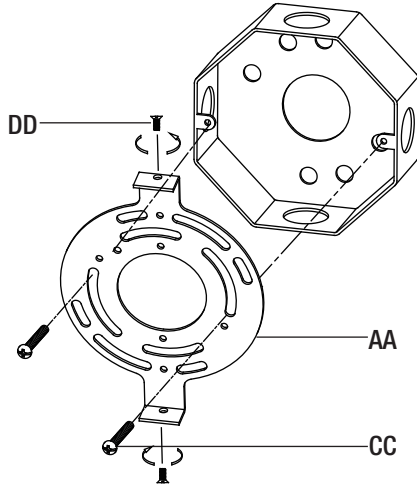


Part	Description	Quantity
A	Fixture	1
B	Glass	1
C	Socket Ring (preassembled to Fixture (A))	1
D	Knob	1

# Installation

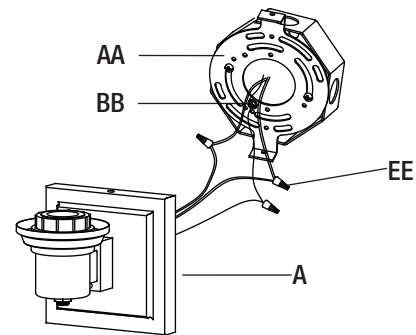
## 1 Attaching the cross bar to the outlet box

- Mount the Cross Bar (AA) to the outlet box using the two Outlet Box Screws (CC).
- Remove the Mounting Screws (DD) from the Cross Bar (AA).



## 2 Connecting the electrical wires

- Wrap the ground wire from the Fixture (A) around the Ground Screw (BB) on the Cross Bar (AA). Connect the ground wire from the Fixture (A) to the ground wire from the outlet box.
- Connect the white wire from the Fixture (A) to the white wire (neutral wire) from the outlet box.
- Connect the black wire from the Fixture (A) to the black wire (live wire) from the outlet box.
- Cover the three connections using the three Wire Connectors (EE). Wrap the three wire connections with electrical tape for a more secure connection.
- Position the wires back inside the outlet box.

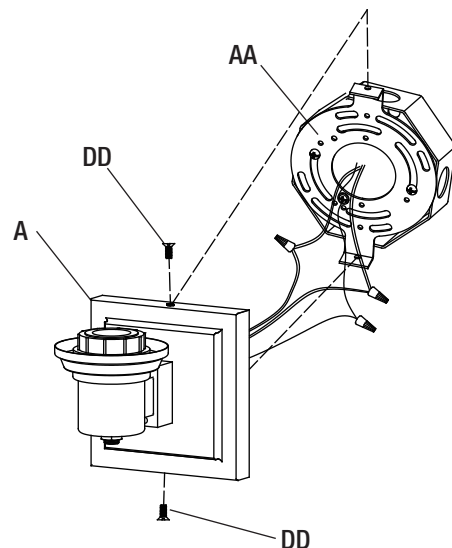


## 3 Securing the fixture to the outlet box

- Place the Fixture (A) over the Cross Bar (AA).
- Align the holes from the Fixture (A) and Cross Bar (AA).
- Secure with Mounting Screws (DD).



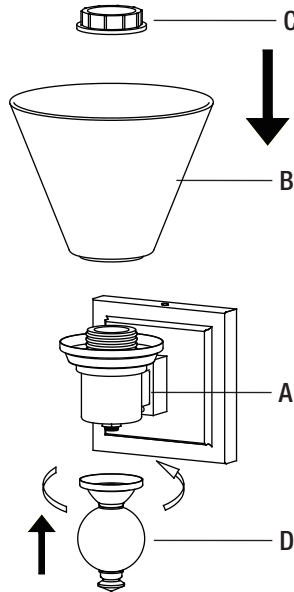
**NOTE:** This fixture can be installed as an up-light or a down-light.



## Installation (continued)

### 4 Securing the shade

- Remove the Socket Ring (C) from the socket.
- Place the Glass (B) over the socket.
- Screw the Socket Ring (C) on the socket.
- Screw the Knob (D) onto the Fixture (A).

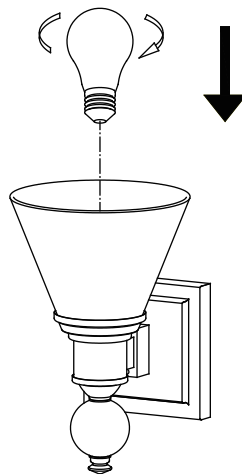


### 5 Installing the bulb

- Screw the bulb (not included) into the socket.



**NOTE:** Use 60-watt max. medium-base bulbs or equivalent energy-saving bulbs (sold separately).



## Care and Cleaning

- Clean the fixture with a soft, dry cloth.
- Do not use any cleaners with chemicals, solvents or harsh abrasives.



**CAUTION:** Before attempting to clean the fixture, disconnect the power to the fixture by turning the breaker off or removing the fuse from the fuse box.

## Troubleshooting

Problem	Possible cause	Solution
The fixture will not light.	The power is off.	Ensure the power supply is On.
	The circuit breaker is off.	Ensure the circuit breaker is in the On position.
The fuse blows or the circuit breaker trips when the light is turned on.	The wires are crossed or the power wire is grounding out.	Check the wire connections. Contact a qualified electrician or call the Customer Service Team at <a href="mailto:fifthandmainsupport@troycsl.com">fifthandmainsupport@troycsl.com</a> .

# Fifth and Main

LIGHTING

Questions, problems, missing parts? Before returning to the store,  
contact Fifth and Main Customer Service at [fifthandmainsupport@troycsl.com](mailto:fifthandmainsupport@troycsl.com).

Retain this manual for future use.