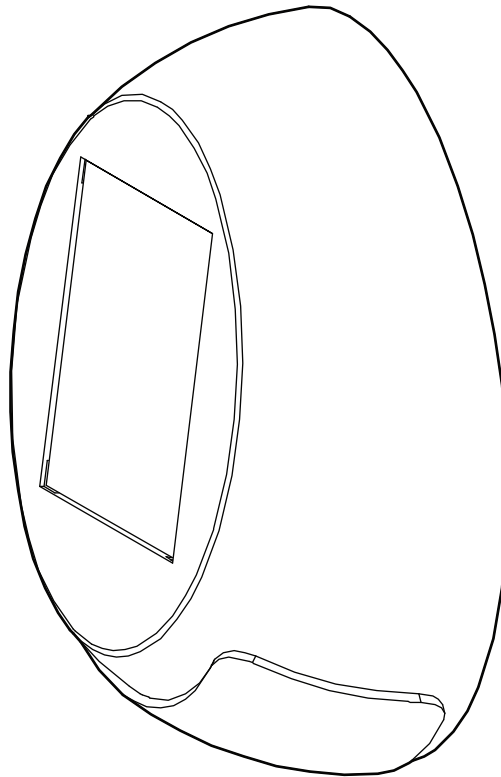




USE AND CARE GUIDE

SOLAR STEP LIGHT 4 PACK



Questions, problems, missing parts? Before returning to the store,
call Hampton Bay Customer Service
8 a.m. - 6 p.m., EST, Monday-Friday

1-855-HD-HAMPTON

HAMPTONBAY.COM

THANK YOU

We appreciate the trust and confidence you have placed in Hampton Bay through the purchase of this solar step light. We strive to continually create quality products designed to enhance your home. Visit us online to see our full line of products available for your home improvement needs. Thank you for choosing Hampton Bay!

Table of Contents

Table of Contents	2	Installation	4
Safety Information	2	Operation	4
Warranty	2	Troubleshooting	5
What is Covered	2	FAQ	5
Pre-Installation	2		
Package Contents	3		

Safety Information

Do not dispose of Ni-Cd batteries in the regular trash, municipal waste stream or by fire as batteries may leak or explode. Do not open, short circuit, or mutilate batteries as injury may occur. Preserve our environment by recycling Ni-Cd batteries or disposing of them in accordance with Local, State, and Federal regulations. Do not mix old and new batteries. Do not mix alkaline, standard (Carbon-Zinc), or rechargeable (Nickel Metal Hydride) batteries.

Warranty

WHAT IS COVERED

The manufacturer warrants this fixture to be free from defects in materials and workmanship when installed and used under normal operating conditions for a period of 1 year from the date of purchase. This warranty covers all component parts and extends only to the replacement of a defective fixture or components; it does not cover failure due to improper installation, misuse, mishandling, or damage incurred in transit.

Contact the Customer Service Team at 1-855-HD-HAMPTON or visit www.hamptonbay.com.

Pre-Installation

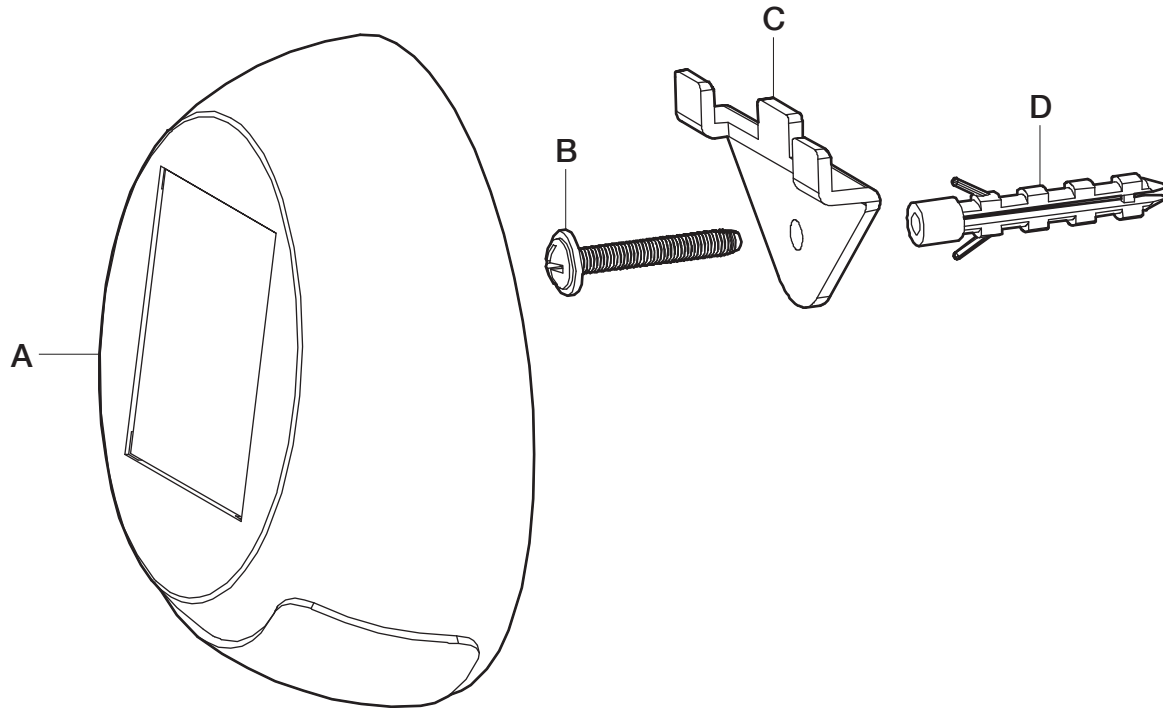
TOOLS REQUIRED



Phillips
screwdriver

Pre-Installation (continued)

PACKAGE CONTENTS



Part	Description	Quantity
A	Light Head	4
B	Screw	4
C	Mounting Bracket	4
D	Plastic Anchor	4

Installation

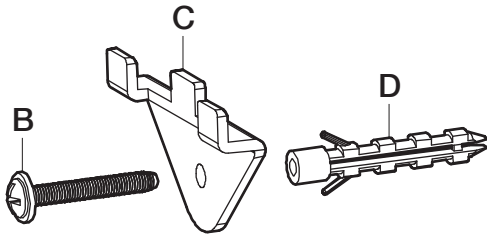
1 Installing the mounting bracket

- Place the mounting bracket (C) on the desired location.



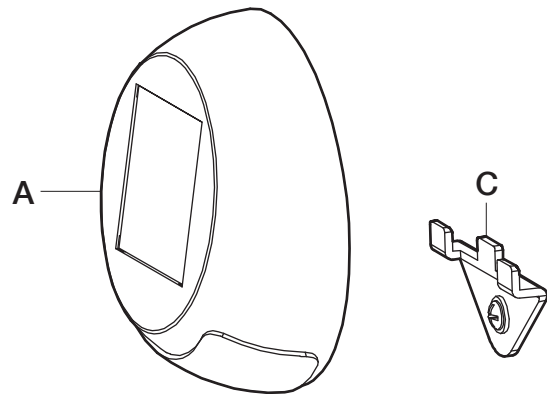
NOTE: The desired location needs to be a spot that receives at least 8 to 10 hours of sunlight each day.

- Use a pen or pencil to trace the hole.
- Pre-drill a hole where the pen/pencil mark was made.
- Insert the plastic anchor (D).
- Align the hole on the mounting bracket (C) with the plastic anchor (D) in the wall.
- Insert the screw (B). Tighten until secure.



2 Attaching the light

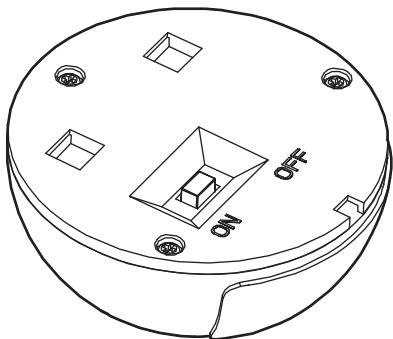
- Align the holes on the back of the light head (A) with the tabs on the mounting bracket (C) and slide the light head (A) down until secure.



Operation

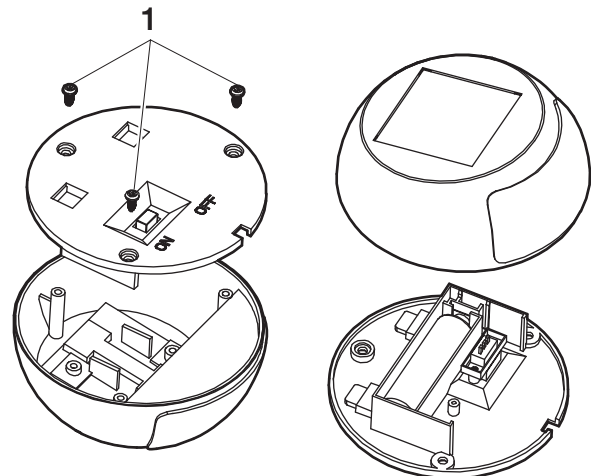
1 First time use

- Slide the power switch to the “on” position.
- The solar light needs to charge in full sunlight for 8 - 12 hours to allow the rechargeable battery to reach maximum capacity. For optimum performance, allow the battery to charge in full sunlight.



2 Replacing the battery

- Use a Phillips screwdriver to remove the screws (1) holding the battery cover in place.
- Remove the old battery and replace with a new Ni-Cd AA 250 mAh rechargeable battery.
- Return the screws (1) removed earlier.



Troubleshooting

Problem	Possible Cause	Solution
The light does not come on.	<ul style="list-style-type: none"><input type="checkbox"/> There is plastic over the solar cell.<input type="checkbox"/> The power switch is not in the "on" or "auto" position.<input type="checkbox"/> The batteries are dirty.<input type="checkbox"/> The batteries are dead.	<ul style="list-style-type: none"><input type="checkbox"/> Make sure there is no plastic over the solar cell.<input type="checkbox"/> Make sure the power switch is in the "on" or "auto" position.<input type="checkbox"/> Remove batteries, wipe both ends with a clean dry cloth, and replace batteries.<input type="checkbox"/> Test batteries by replacing with alkaline batteries and placing the light in a dark room. DO NOT leave the alkaline batteries in the light. Replace with new batteries if needed.

FAQ

What type of maintenance should I perform on the lights?

Although it is not mandatory, some people choose to periodically clean their lights. This can be done with a nonabrasive soap, sponge and water. You may also need to replace the batteries.

Will I need to / can I replace the LED in my solar light?

The solar lights have LEDs (Light Emitting Diodes) because of their long lifetime and low power consumption. The LED is not replaceable.

Can I use any other type of battery or different mAh rated battery?

Yes, you may put Ni-Cd or Ni-Mh (Nickel Metal Hydride) rechargeable batteries. Higher mAh is allowed. (Battery capacity, measured in mAh, is marked on the side of the battery.) Do NOT use Alkaline batteries. Alkaline batteries are not rechargeable and will burst or explode releasing the corrosive chemicals inside.

How long will my batteries / lights last?

Ni-Cd batteries should last for 1000 daily cycles, Ni-Mh for 500 daily cycles, Ni-Mh LSD (low self-discharge) for 800 daily cycles and the LED bulbs should last 20 years.



Questions, problems, missing parts? Before returning to the store,
call Hampton Bay Customer Service
8 a.m. - 6 p.m., EST, Monday-Friday

1-855-HD-HAMPTON

HAMPTONBAY.COM

Retain this manual for future use.