



SKU # 1003 951 538
THD.com # 1003 897 962
Model # HOLT72XDB11

USE AND CARE GUIDE

HUSKY 72 IN. ADJUSTABLE HEIGHT WORK TABLE

Questions, problems, missing parts?

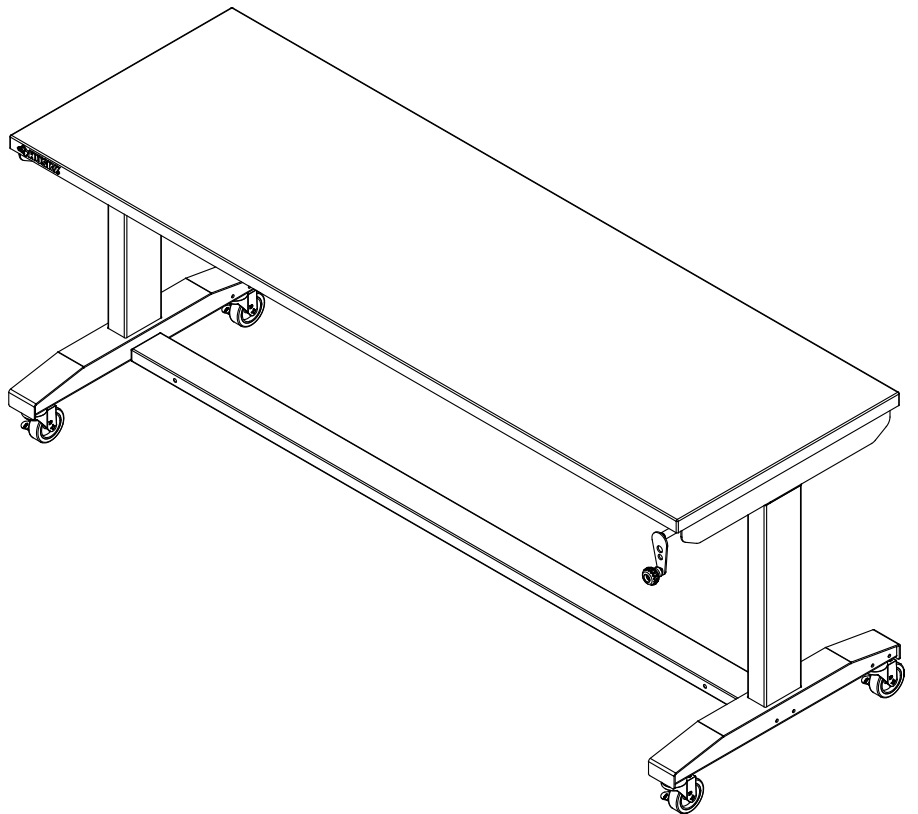
Before returning to the store, call

Husky Customer Service

8 a.m. - 7 p.m., EST, Monday-Friday, 9 a.m. - 6 p.m., EST, Saturday

1-888-HD-HUSKY

HUSKYTOOLS.COM



THANK YOU !

We appreciate the trust and confidence you have placed in Husky through the purchase of this work table. We strive to continually create quality products designed to enhance your home. Visit us online to see our full line of products available for your home improvement needs. Thank you for choosing Husky!

Table of Contents

Table of Contents	2	Assembly	6
Safety Information.....	2	Operation	8
Warranty	3	Care and Cleaning	8
Pre-Assembly.....	4	Service Parts	9
Tools Required.....	4		
Hardware Included.....	4		
Specifications.....	4		
Package Contents.....	5		

Safety Information



DANGER: Is used to indicate a hazardous situation which, if not avoided, will result in serious injury or death.



DANGER: Do not stand on this product. You may fall or cause the product to tip.



WARNING: Indicates a hazardous situation which, if not avoided, could result in serious injury or death.



WARNING: Keep the product on a level surface. The product may become unstable and tip if not properly leveled.



CAUTION: Is used to indicate a hazardous situation which, if not avoided, may result in minor injury, moderate injury, or property damage.



CAUTION: Do not lift this product directly with a forklift or tow with any mechanical devices.



CAUTION: Read and follow all Safety Rules and Operating Instructions before first use of this product.



CAUTION: Do not exceed the maximum weight loading capacity of 300 lbs.



WARNING: Due to the product's weight, it is recommended that 2 or more people help assemble and move this workbench to help reduce the risk of injury.



CAUTION: Check screws and bolts periodically for tightness.

Warranty

The manufacturer warrants the product to be free from defects in materials and workmanship for a period of three (3) years from date of purchase. This warranty applies only to the original consumer and only to products used in normal use and service. If this product is found to be defective, the manufacturer's only obligation, and your exclusive remedy, is the repair or replacement of the product at the manufacturer's discretion, provided that the product has not been damaged through misuse, abuse, accident, modifications, alteration neglect or mishandling. This warranty shall not apply to any product that is found to have been improperly installed, set up, or used in any way not in accordance with the instructions supplied with the product. This warranty shall not apply to a failure of the product as a result of an accident, misuse, abuse, negligence, alteration, faulty installation, or any other failure not relating to faulty material or workmanship. This warranty shall not apply to the finish on any portion of the products such as surface and/or weathering, as this is considered normal wear and tear.

The manufacturer does not warrant and specifically disclaims any warranty, whether express or implied, of fitness for a particular purpose, other than the warranty contained herein. The manufacturer specifically disclaims any liability and shall not be liable for any consequential or incidental loss or damage, including but not limited to any labor/expense costs involved in the replacement or repair of said product.

Contact the Customer Service Team at 1-888-HD-HUSKY or visit www.huskytools.com.

Pre-Assembly

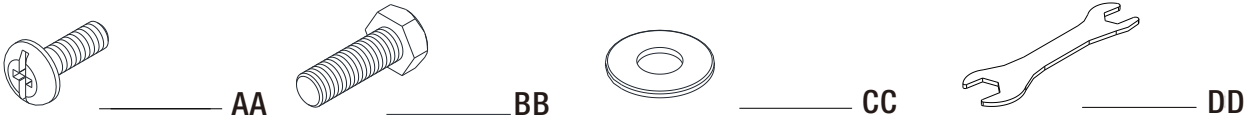
TOOLS REQUIRED



HARDWARE INCLUDED



NOTE: Hardware not shown to actual size.



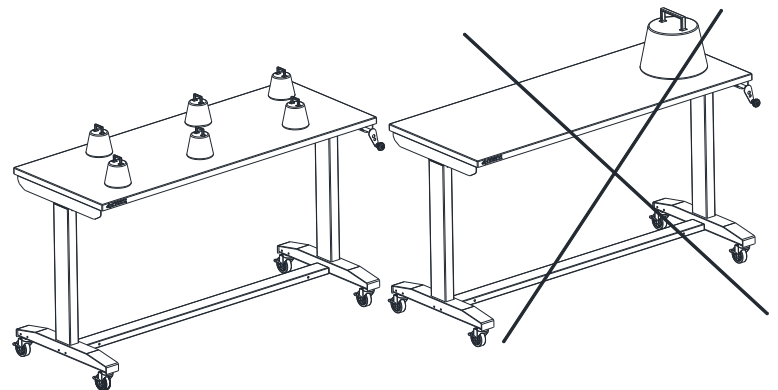
Part	Description	Quantity
AA	Screw M6 x 15L	26
BB	Bolt M8 x 15L	4
CC	Washer M8	4
DD	5/8 in. Wrench	1

SPECIFICATIONS

Maximum capacity 300 lbs

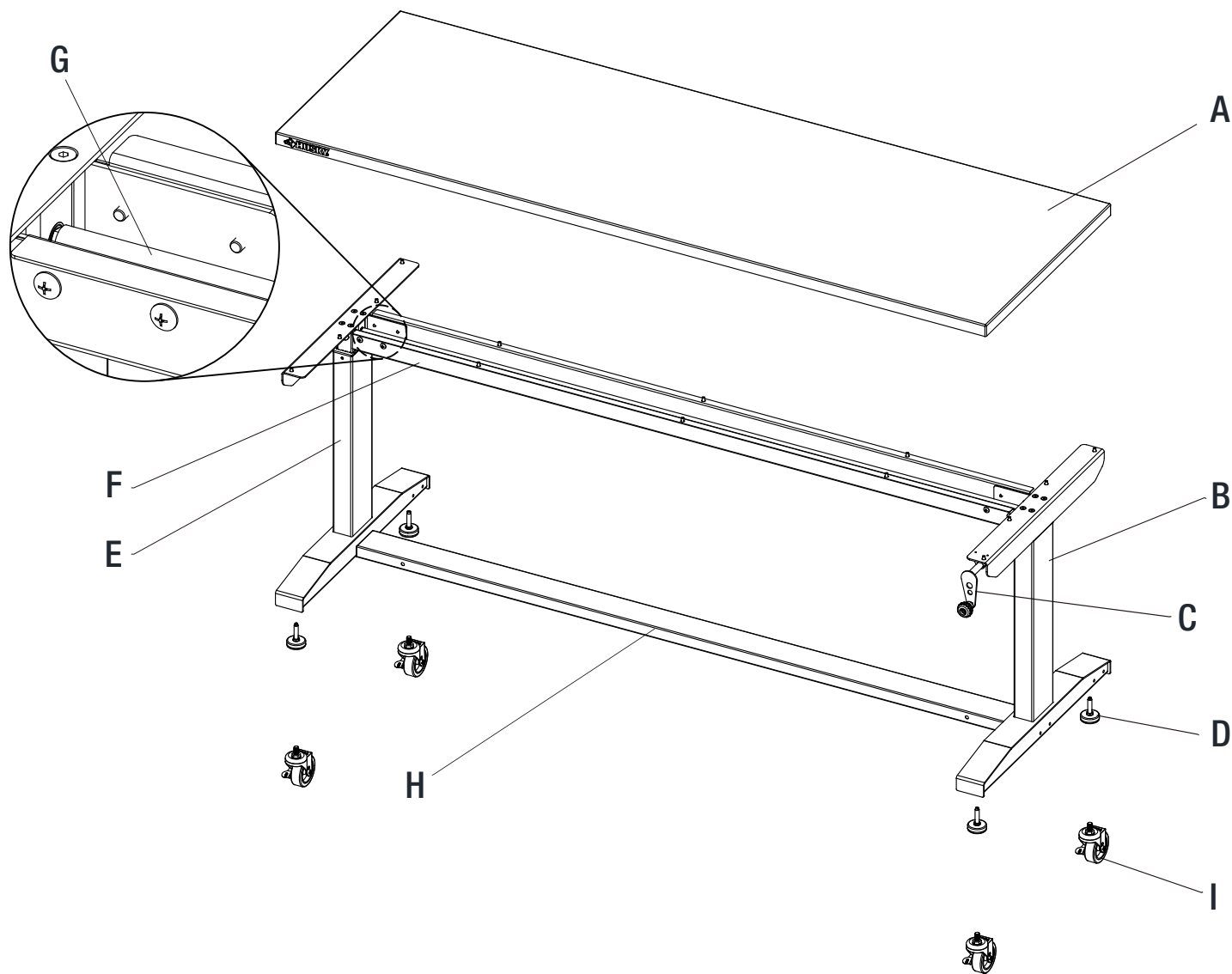


NOTE: Begin product assembly close to the final intended location of your workbench. This product is heavy and may be difficult to move after assembly.



Pre-Assembly (continued)


PACKAGE CONTENTS

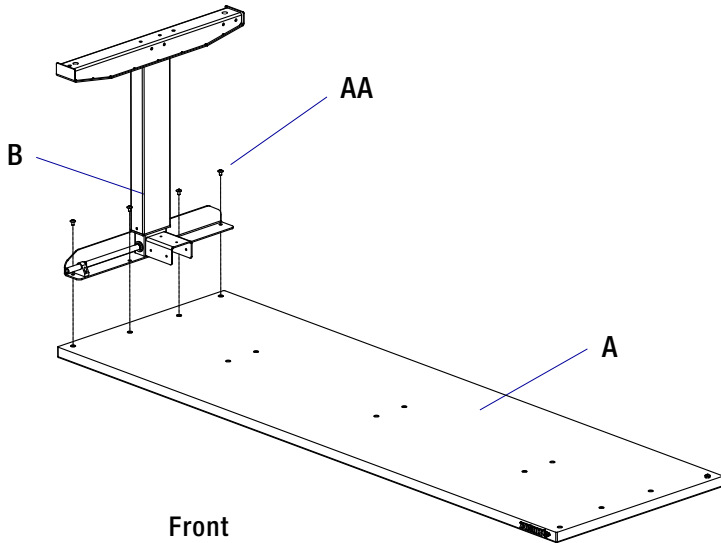


Part	Description	Quantity
A	Wood top	1
B	Leg (Right)	1
C	Crank handle	1
D	Leveling feet	4
E	Leg (Left)	1
F	Top rail	1
G	Rotating rod	1
H	Support rail	1
I	Caster	4

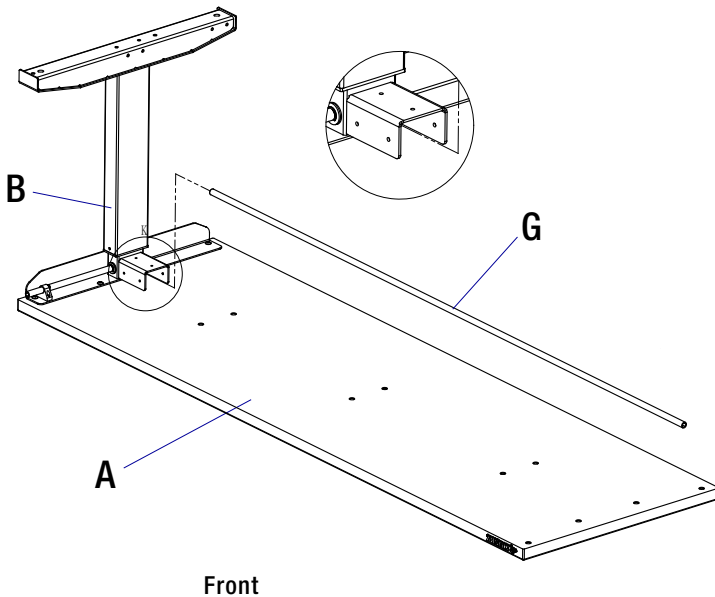
Assembly


1. While unpacking the unit, you can leave the workbench wood top (A) inside the original packaging to prevent the top from being scratched during assembly.
2. Determine the front and back of the top before starting. The front of the wood top (A) has the Husky badge on the edge.
3. Attach the right leg (B) to the wood top (A) as shown using four M6x15L screws (AA). Be sure that the rotating mechanism faces the inside of work table.

 Note: Do not overtighten the screws into the wood top to avoid damaging the wood top.

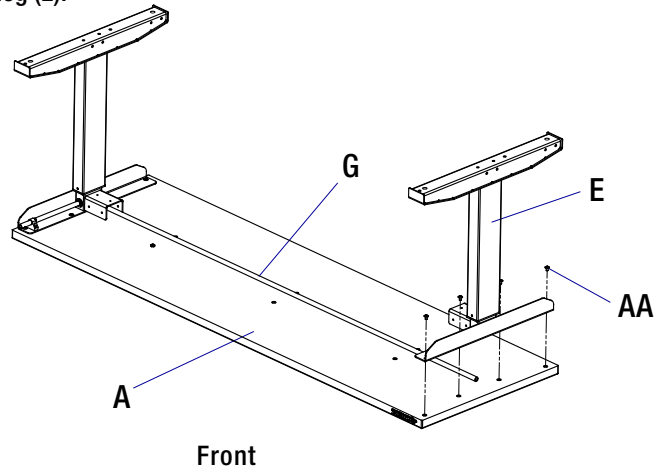


4. Attach the rotating rod (G) to the rotating mechanism in the leg (B).

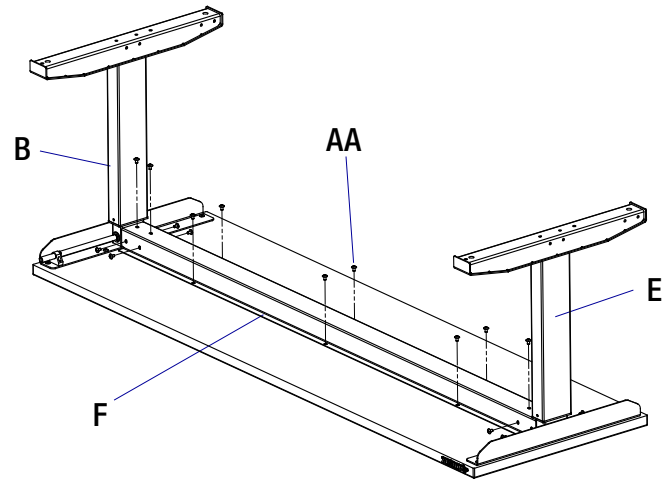


 Note: Do not turn the rotating rod yet to ensure that the leg remains at its lowest level.

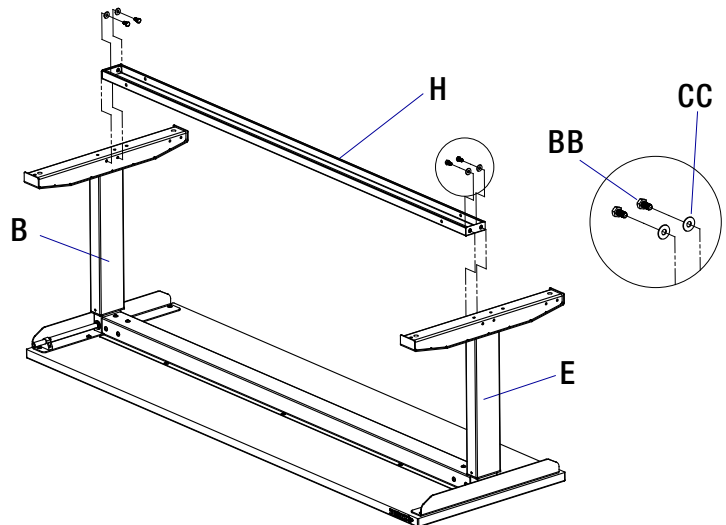
5. Attach the left leg (E) to the wood top (A) using four M6x15L screws (AA). Finger tighten only. Be sure that the rotating rod (G) clicks into the leg (E).



6. Attach the top rail (F) to the wood top (A), leg (B), and leg (E) using eighteen M6x15L screws (AA). Do not overtighten the screws.

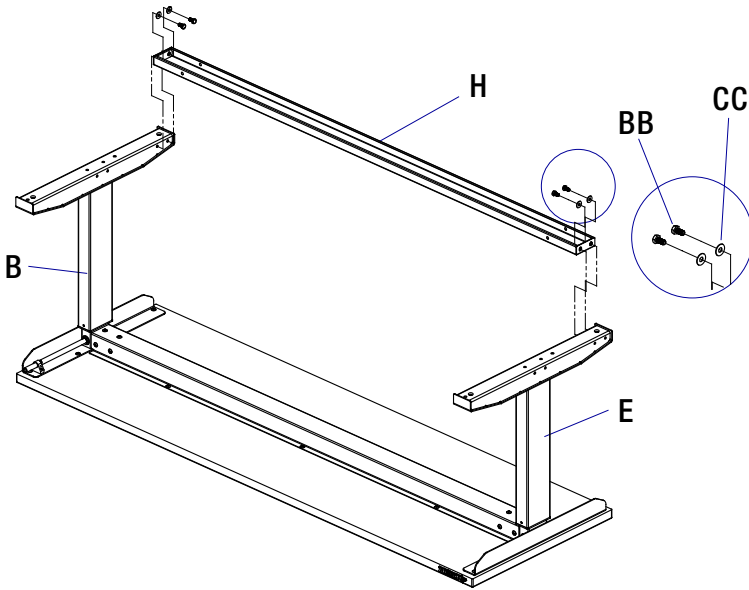


- 7a. Option 1: Attach the support rail (H) to the bottom of the leg (B) and leg (E) using four M8x15L bolts (BB) and four M8 washers (CC). Finger tighten only. The support rail can attach in the middle or rear of the legs. Attach it at your desired position. See step 7b for Option 2.



Assembly (continued)


7b. Option 2: Attach the support rail (H) to the bottom of the leg (B) and leg (E) using four M8x15L bolts (BB) and four M8 washers (CC). Finger tighten only.



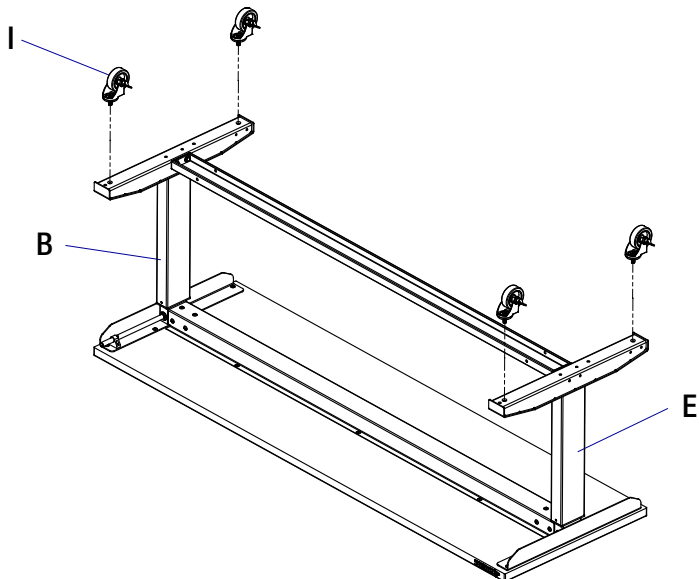
8. Square the workbench and then securely tighten all fasteners with a 10 mm and 13 mm wrench.

 **Note: Use caution to not overtighten.**

9. Screw the four leveling feet (D) or casters (I) all the way into the leg assemblies to the maximum depth. Some adjustment may be necessary after the workbench is in the desired location to properly level and use the product.

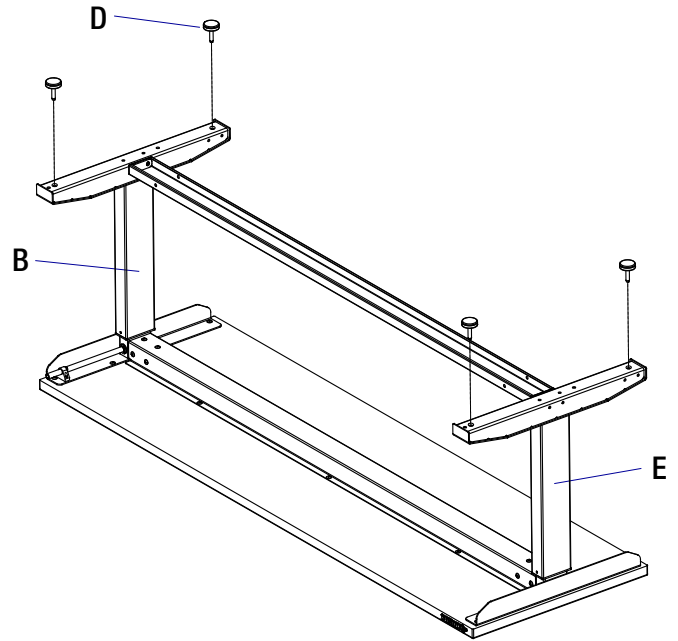
 **Note: Leveling feet have been pre-assembled on the leg.**

Caster installation



Or

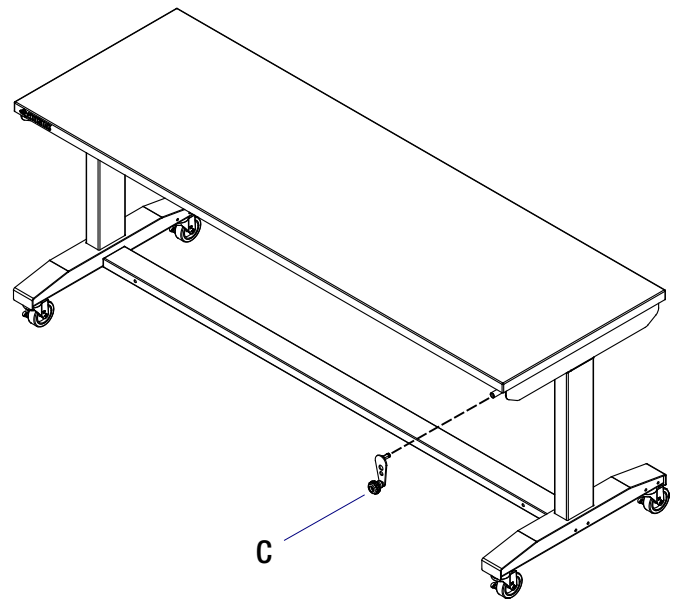
Leveling feet installation



10.

Using two or more people, stand the workbench in its upright position.

11. Install the crank handle (C) into the shaft in the corner below the wood top as shown.



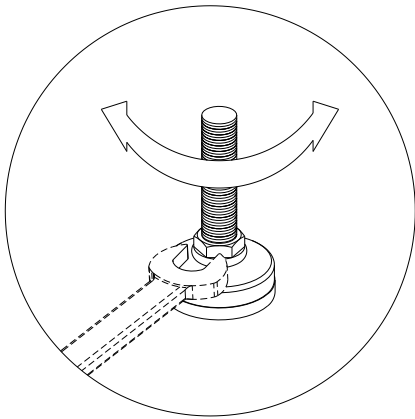
Operation

1 Leveling Foot Adjustment



IMPORTANT: Ensure there is no weight on top of the workbench when leveling.

- Adjust each leveling foot (D) to the desired elevation with a 5/8 in. wrench as shown.
- Turn the lock nut counterclockwise to elevate and clockwise to lower the leveling foot.

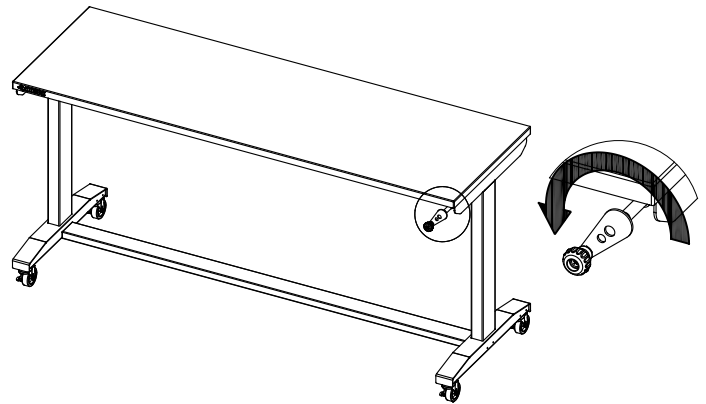


2 Height Adjustment

- Insert the crank handle (C) into the shaft and align it in the hole until it is engaged.
- To raise the table, turn the crank handle counterclockwise to the desired height.
- To lower the table, turn the crank handle clockwise until it reaches the desired height.
- To avoid damage, do not keep turning the crank handle once it has rested at its highest or lowest position.



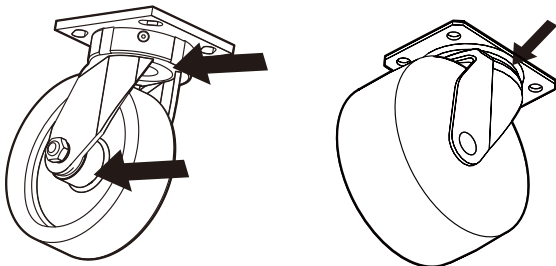
Note: Some minor squeaking is normal when operating the crank. Lubrication is not needed.



Maintenance

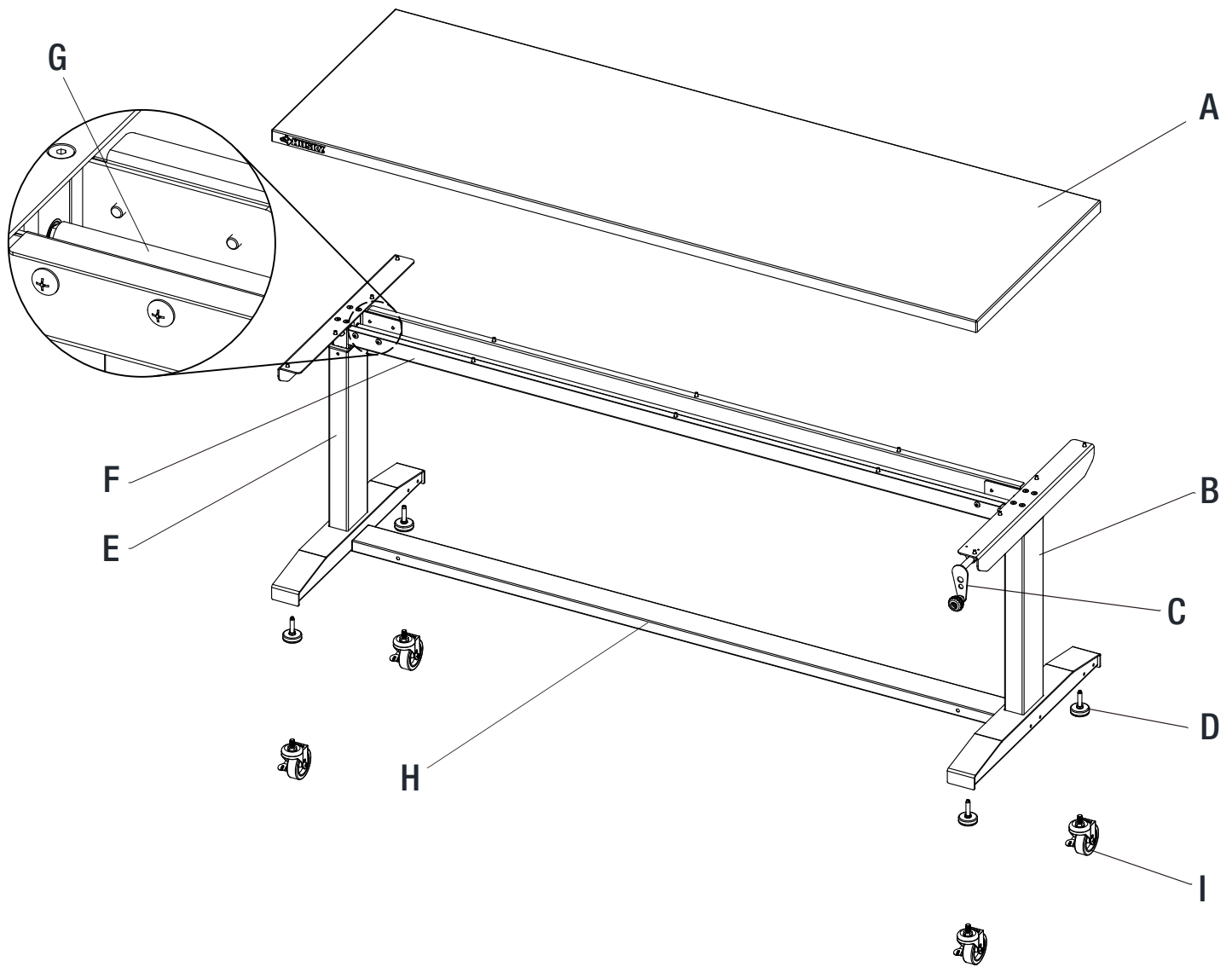
1 Maintaining the casters

- Grease the casters annually using high quality bearing grease.



Care and Cleaning

- The steel in this product has been coated with industrial powder coating for a durable finish. To help protect this finish, do not allow harsh chemicals such as oil or grease to remain on the powder coating surface. Use a glass cleaner (Windex® or equivalent product) to clean and maintain all powder coated surfaces.
- The wood top is made of Parawood (also called Rubberwood), which has a UV coating to help protect it from moisture. It can be cleaned with most gentle household cleaners, such as Windex®.
- Do not allow chemicals, water, or other substances to remain on the wood top for extended periods of time to reduce the risk of damage to the wood.



Part	Description	Quantity
A	Wood top	1
B	Leg (Right)	1
C	Crank handle	1
D	Leveling feet	4
E	Leg (Left)	1
F	Top rail	1
G	Rotating rod	1
H	Support rail	1
I	Caster	4



Questions, problems, missing parts? Before returning to the store, call
Husky Customer Service
8 a.m.-7 p.m., EST, Monday-Friday, 9 a.m. - 6 p.m., EST, Saturday

1-888-HD-HUSKY

HUSKYTOOLS.COM

Retain this manual for future use.