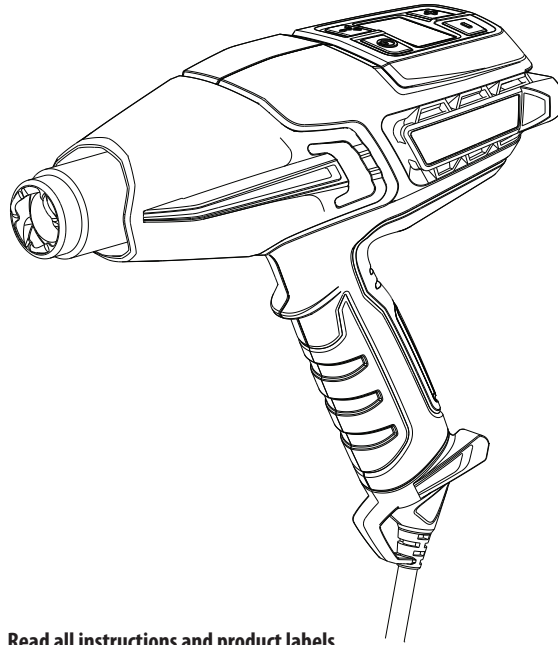


WAGNER

Model No. 2363334



Read all instructions and product labels.
When using electrical tools, follow all
precautions to reduce the risk of fire, electric
shock, and other personal injury.

FURNO™ 500 LED HEAT GUN OWNER'S MANUAL

GB F ES



Double-
insulated



Important Safety Information • Read all safety information before operating the equipment. SAVE THESE INSTRUCTIONS

To reduce the risks of fire or explosion, electrical shock and the injury to persons, read and understand all instructions included in this manual. Be familiar with the controls and proper usage of the equipment.



Indicates a hazardous situation which, if not avoided, could result in death or serious injury.



HAZARD: POISON

Extreme care should be taken when stripping paint. The peelings, residue and vapors of paint may contain lead, which is poisonous. Any paint applied to homes before 1950 is likely to contain lead. Any paint manufactured before 1977 may contain lead. Once the paint is deposited on surfaces, hand-to-mouth contact can result in the ingestion of lead. Exposure to even low levels of lead can cause irreversible brain and nervous system damage. Young and unborn children are particularly vulnerable to lead poisoning.

Before beginning any paint removal process you should determine whether the paint you are removing contains lead. This can be done by your local health department or by a professional who uses a paint analyzer to check the lead content of the paint to be removed. Lead-based paint should only be removed by a professional and should not be removed using a heat gun.

PREVENTION:

- Move the work piece outdoors. If this is not possible, keep the work area well ventilated. Open the windows and put an exhaust fan in one of them. Be sure the fan is moving the air from inside to outside.
- Remove or cover any carpets, rugs, furniture, clothing, cooking utensils and air ducts.
- Place drop cloths in the work area to catch any paint chips or peelings. Wear protective clothing such as extra work shirts, overalls and hats.
- Work in one room at a time. Furnishings should be removed or placed in the center of the room and covered. Work areas should be sealed off from the rest of the dwelling by sealing doorways with drop cloths.
- Children, pregnant or potentially pregnant women and nursing mothers should not be present in the work area until the work is done and all cleanup is complete.
- Wear a dust respirator mask of a dual filter respirator mask for dust and fumes which has been approved by the Occupational Safety and Health Administration (OSHA) the National Institute of Safety and Health (NIOSH), or the United States Bureau of Mines. These masks and replaceable filters are readily available at major hardware stores. Be sure that the mask fits properly. Beards and facial hair may keep masks from sealing properly. Change the filters often. Disposable paper masks are not adequate.
- Use caution when operating the heat gun. Keep the heat gun moving as excessive heat will generate fumes which can be inhaled by the operator.
- Keep food and drink out of the work area. Wash hands, arms and face and rinse mouth before eating or drinking. Do not smoke or chew gum or tobacco in the work area.
- Clean up all removed paint and dust by wet mopping the floors. Use a wet cloth to clean all walls, sills and any other surface where paint dust is clinging. Do not sweep, dry dust or vacuum. Use a high phosphate detergent of trisodium phosphate (TSP) to wash and mop areas.
- At the end of each work session, put the paint chips and debris in a double plastic bag, close it with tape or twist ties and dispose of properly.
- Remove protective clothing and work shoes in the work area to avoid carrying dust into the rest of the building. Wash work clothes separately. Wipe shoes off with a wet rag and then wash it with the work clothes. Wash hair and body thoroughly with soap and water.



Important Safety Information • Read all safety information before operating the equipment. SAVE THESE INSTRUCTIONS

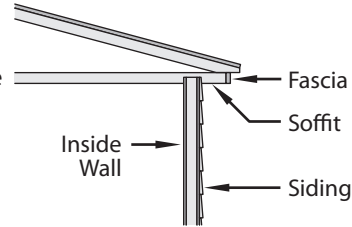


HAZARD: EXPLOSION OR FIRE

This heat gun produces extremely high temperatures (as high as 1200° F). It must be used with caution to prevent combustible material from igniting.

PREVENTION:

- Keep the gun in constant motion. Do not stop or dwell in one spot.
- Use extreme caution if the other side of the material being scraped is inaccessible, such as house siding. Hidden areas such as behind walls, ceilings, floors, soffit boards and other panels may contain flammable materials that could be ignited by the heat gun when working in these locations. The ignition of these materials may not be readily apparent and could result in property damage and injury to persons. When working in these locations, keep the heat gun moving in a back-and-forth motion. Lingering or pausing in one spot could ignite the panel or the material behind it.
- Do not use near surfaces with cracks or near metal pipes or flashing. Heat may be conducted behind the work surface and ignite hidden material. The ignition of hidden materials may not be readily apparent and can result in property damage and injury.
- Do not use electric tools in the presence of flammable liquids or gases.
- Do not use near combustible materials such as dry grass, leaves, and paper which can scorch and catch fire.
- The nozzle becomes very hot. Do not lay the heat gun on flammable surfaces when operating the gun or immediately after shutting the gun off. Always set the gun on a flat, level surface so that the nozzle tip is directed upwards and away from the supporting surface.
- Do not touch the nozzle until the tool has cooled.
- Do not use the heat gun as a hair dryer.
- Tools and paint scrapings become very hot. To avoid burns, use work gloves when scraping.
- Always treat the hot air units with the same respect as an open flame.



HAZARD: ELECTRIC

May cause property damage, severe injury or loss of life.

PREVENTION:

- Do not disassemble the heat gun.
- Do not work in wet areas or expose the heat gun to rain.
- Guard against electric shock by preventing body contact with grounded surfaces such as pipes, radiators, ranges, aluminum ladders or other grounded devices.
- Do not abuse the electric cord. Never carry the heat gun by the cord or yank on the cord to disconnect it from the power supply. Keep the electric cord away from heat, oil and sharp edges. Inspect the cord for wear or damage regularly.
- Use only extension cords rated for outdoor use. If an extension cord is damaged or otherwise unsuitable for use, replace it with a new cord.
- **WARNING** - To reduce the risk of electric shock, do not expose this product to rain or moisture. Store indoors. Read instruction manual before using.



Important Safety Information • Read all safety information before operating the equipment. SAVE THESE INSTRUCTIONS



HAZARD: GENERAL

May cause property damage or severe injury.

PREVENTION:

- ALWAYS disconnect the heat gun from the power supply when not in use. Store indoors in a dry place and out of the reach of children.
- Keep your work area well lit and clean.
- Do not overreach, especially when working on ladders. Keep proper footing and balance at all times. Be certain any ladders being used are sturdy, stable, on a firm surface, or on firm ground and erected at safe working angles.
- Avoid power lines.
- Keep moveable items secured and steady while scraping.
- Always use protective eyewear when working.
- Stay alert and use common sense when operating any tool.
- When using to thaw frozen pipes, always use the curved deflector (P/N 2366225). NEVER use to thaw pipes located inside walls or near combustibles.



Some dust, peelings, residue, and vapors caused by paint removal activities contain chemicals known to the state of California to cause birth defects or other reproductive harm. An example of a chemical would be lead from lead-based paints (do not use a heat tool to remove lead-based paint). Your risk from exposure varies, depending on how often you do this type of work. To reduce your exposure to these chemicals: work in a ventilated area, and work with approved safety equipment, such as those dust masks that are specially designed to filter out microscopic particles.

Important Electrical Information

Use only an extension cord that will accept the plug on the product. Make sure your extension cord is in good condition. When using an extension cord, be sure to use one heavy enough to carry the current your product will draw. An undersized cord will cause a drop in line voltage resulting in loss of power and overheating. A SJT type cord is required. Cord shall be 14 AWG minimum for general indoor use.

This appliance has a polarized plug (one blade is wider than the other). To reduce the risk of electric shock, this plug is intended to fit in a polarized outlet only one way. If the plug does not fit fully in the outlet, reverse the plug. If it still does not fit, contact a qualified electrician. Do not modify the plug in any way. When servicing, only use identical service parts. Contact WAGNER for a replacement cordset.

General Description

This heat gun is a quality power tool. Like any power tool, it can be dangerous when misused. Read the following instructions carefully and follow all safety precautions. It is the responsibility of the owner to use the heat gun properly. Only adults should use a heat gun.

Specifications

Housing:.....Engineered high-impact corrosion and heat-resistant polymers

Wattage: 1500 Watts on highest, 150 Watts on lowest.

Heat Output:Approximately 1200°F on high, approximately 150°F on low

Weight:..... 1.95 pounds



For more details on multiple projects and 'how to' videos please visit www.wagnerspraytech.com.



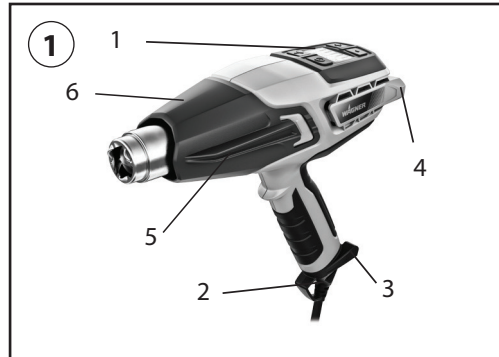
Using the Heat Gun



Always read the safety information included in this manual before using the heat gun.

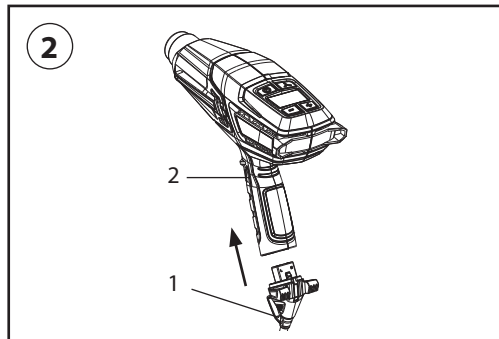
Component Description (Fig. 1)

- 1) Graphic LED screen and control panel
- 2) Hanging hook
- 3) Cordset with integrated stabilizers (removable with tool)
- 4) Rear stabilizer fins (stand)
- 5) Side bars to prevent nozzle touching surface
- 6) Heat shield



Attaching the power cord (Fig. 2)

The power cord (Fig. 2, 1) for the heat gun is delivered detached from the gun (Fig. 2, 2). To attach, line up the cord by the forward facing groove with the socket on the handle of the gun and press together until you hear a click.



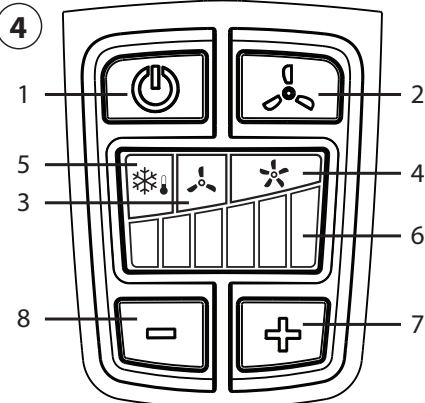
Hands-free operation (Fig. 3)

The heat gun has an integrated stand for bench top applications and cool down mode.

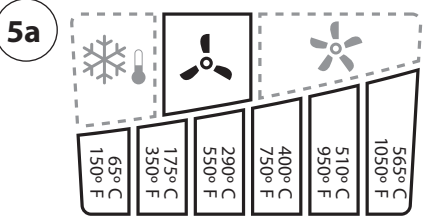
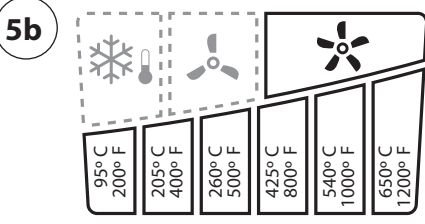


Touch Pad Control Panel

The heat gun gives you a wide temperature range to choose from, depending upon the type of project. These can be controlled via the Touch Pad Control Panel.

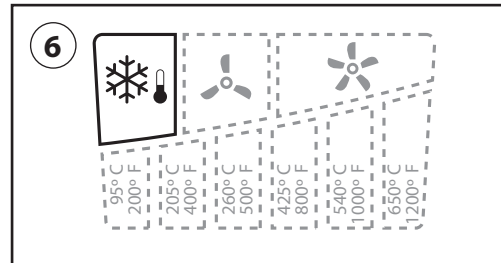
Description	4
1) Power button: Turns the heat gun ON and OFF or switches the heat tool into cool down mode	
2) Mode selector: Sets the temperature range and air flow speed you are using	
3) Mode indicator: Low air flow / low temperature range (See Fig. 5, a)	
4) Mode indicator: High air flow / high temperature range (See Fig. 5, b)	
5) Mode indicator: Cool down	
6) Temperature indicator: Shows the current heat output setting (see Fig. 5)	
7) Temperature selector: Increases the temperature (+)	
8) Temperature selector: Decreases the temperature (-)	

Temperature Guide LED display

Description	5a
<p>Air flow mode: Low</p> <p>Temperature range: 150°F - 1050°F</p> <p>Cycle temperatures: See Fig. 4, #7 & #8</p> <p>———— = Illuminated</p> <p>- - - - - = not illuminated</p>	
<p>Air flow mode: High</p> <p>Temperature range: 200°F - 1200°F</p> <p>Cycle temperatures: See Fig. 4, #7 & #8</p> <p>———— = Illuminated</p> <p>- - - - - = not illuminated</p>	

Cool Down Mode (Fig. 6)

While the heat gun is operating, press the power button once to enter cool down mode. When cool down mode is entered, the gun will run for 30 seconds with maximum air flow. During this period, the temperature bars will all flash and step down to indicate cooling. To override cool down mode, press and hold the power button for 2-3s.



Startup

1. Plug the unit into a standard wall outlet.
2. Turn on the heat gun by pressing the power button on the Control Panel (Fig. 4, 1). When the gun is turned on, it is automatically set in the low temperature range (Fig. 5, a) at 150°F and a low air flow setting.
3. If you wish to continue working within the low temperature range, simply press the plus or minus button on the touch pad until your desired temperature setting is selected, this will be indicated by the temperature bar being lit.
4. If you wish to operate within the high temperature range and high air flow setting, press the Mode Selector button (Fig. 4, 2) once. The high temperature range indicator light will turn on. You can now simply press the plus or minus button on the touch pad until you reach your desired temperature setting, this will be indicated by the temperature bar being lit.

IMPORTANT: If the blower motor in the heat gun does not turn on when the POWER button is activated, turn the switch OFF immediately. The heating element will burn out if it is not cooled by the blower.

5. During rest periods or when you are finished with your project, press the power button to enter cool down mode. The blue cool down indicator light will turn on and the gun will continue to run with the element disabled, so that cooling occurs.
6. Set the gun down in an upright position. The heat gun will shut itself off after 30 seconds.

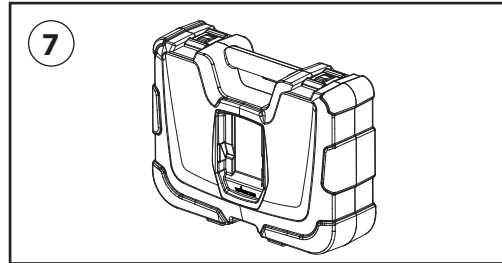


Following cool down mode the barrel of the heat gun may still be hot.

Note: Smoke may appear during the initial start up due to the burning of manufacturing oils. The smoke should disappear in less than a minute.

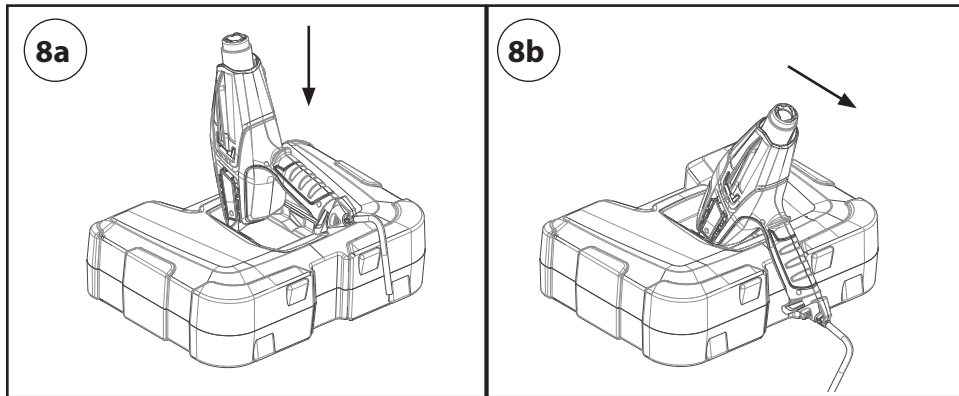
Carry Case (optional) (Fig. 7)

The heat gun case has been specifically designed to secure the heat gun in the upright position for work on uneven surfaces (see AngleLoc, below).



AngleLoc™ (Fig. 8)

- A:** Insert the back of the heat gun so that the rear stabilizing fins locate themselves below the ridges on the side wall of the cavity in the top of the carry case.
- B:** Then slide the heat gun forward so that it naturally locks into place at a 135 degree angle. The heat gun should now be secure for upright use.



Note: Always set the heat gun upright after it is turned off, either for a short break or for storage. Avoid laying the unit on the side after shutdown. The heat will remain in the unit and cooling will take longer. Store the unit only after the nozzle is cool. Unplug the unit before storing to prevent accidental startup.

Many variables affect heating applications, such as the material being heated, ambient temperature, the distance from the gun to the substrate and the heating technique. For this reason, Wagner has provided temperature guidelines for certain applications. Always start the heat gun at the lowest temperature in the range then raise the temperature until the optimum temperature is achieved. Always keep the heat gun in motion and at least 2" from the substrate when applying heat.

For more details on multiple projects and 'how to' videos please visit our website - www.wagnerspraytech.com.

IMPORTANT: Always protect glass when working near windows.



Do not touch nozzle or the scraper blade when working. These become extremely hot and will cause severe burns. Wear gloves to protect hands from hot scrapings.

Heating Guidelines

The heat gun is one of the most versatile tools you can own. It can be used for a great variety of projects, from big DIY to small Art & Crafts jobs.

Use		Heat Setting	Nozzle Tip Options*
DIY	Stripping paint	HIGH	Concentrator or Flare
	Wall repair	LOW/MED	Open (no tip)
	Drying paint	LOW/MED	Open (no tip)
	Soften adhesives to remove floor tiles	LOW/MED	Flare
	Bend plastic, plexiglass, formica	LOW/HIGH	Open / Concentrator
	Removing formica and linoleum	LOW/MED	Flare
	Soften paint, caulking and putty for easier removing (use heat shield)	HIGH	Concentrator or Flare
	Shrink plastic film for wrapping or weatherproofing	LOW/MED	Flare
Small jobs (including repair)	Loosen rusted nuts, bolts and fittings	HIGH	Open / Concentrator
	Removing adhesives	LOW/MED	Open (no tip)
	Waxing skis/snowboard	LOW/MED	Flare
	Glass fiber work	MED / HIGH	Concentrator or Flare
	Unfreezing pipes	LOW	Curved deflector
	Lighting a BBQ grill	HIGH	Concentrator / BBQ Nozzle
	Heat concrete prior to patching	LOW/HIGH	Concentrator
	Defrosting refrigerator / freezer	LOW/MED	Open (no tip)
Arts & Crafts	Making candles	LOW	Open (no tip)
	Making soap	LOW	Open (no tip)
	Shrink wrapping presents	LOW	Open (no tip)
	Forming foam	LOW	Open (no tip)
	Cookie decoration	LOW/HIGH	Open (no tip)
Automotive	Removing stickers, emblems and decals	LOW/MED	Open (no tip)
	Removing dents	MED / HIGH	Open (no tip)
	Removing paint	HIGH	Concentrator or Flare
	Applying and removing window tint	LOW/MED	Open (no tip)
	Restoring bumpers	MED / HIGH	Open (no tip)
Electronics	Smartphone & tablet repair	LOW	Concentrator
	PlayStation and Xbox repair	LOW	Concentrator

*Nozzle tips may not be included with your heat gun. See Accessories page 11.

IMPORTANT: If the blower motor in the heat gun does not turn on when the switch is set to either LOW, MEDIUM or HIGH, turn the switch OFF immediately. The heating element will burn out if it is not cooled by the blower.

Stripping Paint

IMPORTANT: Read the general operating and safety information sections of this owner's manual before using the heat gun.

The heat gun heats up the surface and causes the paint to soften, at which time it can be scraped off easily without damaging the surface. Some paints may soften even though they do not blister; some may become rubbery, and some may require higher heat.

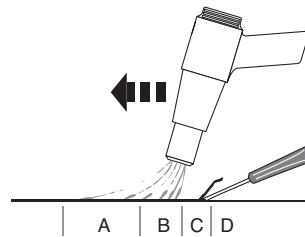
When working with several layers of paint, it speeds up the scraping process to heat the surface thoroughly, all the way to the wood. Then all the layers can be scraped at one time.

A soft wire brush may be the best tool to use for very intricate surfaces. Mineral paints and finishes, such as cement paint and porcelain, do not soften with heat, so using a heating tool will not work for paint removal.

The best method of paint removal

Move the gun slowly and steadily forward at an angle to the surface, pointing the nozzle in the direction of motion. This allows you to scrape safely outside the hot air stream and keeps the scraper and the scraped surface cooler.

- A. Warm air preheats the surface.
- B. Paint is softened by hot air.
- A + B. Deep penetration of heat over total area.
- C. Paint can be easily scraped off as soon as it is softened and the gun is moved forward.
- D. Stripped surface allowed to cool.



Note: Do not use the heat gun on surfaces that can be damaged by heat, such as vinyl-coated paneling, siding or window frames.

When removing paint from window frames, the heat gun will soften the putty. Be careful not to gouge the putty with the scraper. The putty will firm up after it cools.

Do not use the heat gun on insulating laminated window glass such as Thermopane. The glass edge expansion may break the edge seal.

When scraping fascia, do not overheat the edges of the asphalt shingles protruding over the edge of the sheathing. Too much heat will melt the asphalt.

IMPORTANT: The removal of paint by heat gun is safe if the above guidelines are used, but always keep either a container of water or an ABC fire extinguisher (suitable against Class A, B and C type fires) within reach.

Cleaning and Maintenance

Keep the intake openings on the housing clean and free of obstructions. Use a soft, dry brush to clean the openings periodically. Use only mild soap and a damp cloth to clean the heat gun. Many household cleaners contain chemicals which could seriously damage the housing.

Do not use gasoline, turpentine, lacquer or paint thinner, dry cleaning fluids or similar products when cleaning the heat gun. Never allow any liquid to get inside the tool or immerse any part of the tool into a liquid.





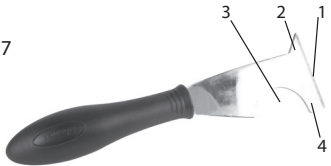
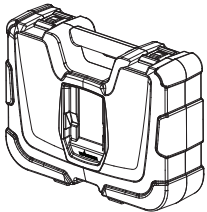
Storage

Allow the heat gun nozzle to cool to room temperature before placing in storage.

The nozzle will turn dark over time because of the high heat. This is normal and will not affect the performance or life of the unit.

Accessories

The following accessories may come with the heat gun or may be purchased separately by calling 1-800-727-4023.

Name	Description	Name	Description
Concentrator P/N 2366222 	Directs a concentrated heat flow to the work surface. Ideal for removing paint in awkward corners, crevices, mouldings, beading or architraves.	Glass Protector P/N 2366224 	Deflects the heat away from glass or other fragile areas. Ideal for window sills, ledges, frames and skirting boards.
Flare P/N 2366223 	Directs a long, narrow heat pattern to the work surface. Ideal for removing paint or varnish from large, flat surfaces such as skirting boards, doors, stairs, etc. It should be used in conjunction with a flat scraper.	Curved Deflector P/N 2366225 	Disperses the heat flow evenly around the whole work surface. Ideal for thawing frozen pipes, solder pipe work, bending plastics or heat shrinking electrical insulating tubing.
Name		Description	
5-in-1 tool P/N 2366227 			The blade (1) is used to scrape paint and spread compound. The gouge point (2) is used to remove putty/caulk and the curved area (3) is used to clean roller covers. Flat side (4) can also be used to open paint cans.
Case P/N 2366226 			The heat gun case has been specifically designed to locate the heat gun in the upright position for work on uneven surfaces.

IMPORTANT: Always use gloves when handling the heat gun.

To attach a nozzle to the gun:

1. Set the heat gun upright on a level surface until the tip is cool.
2. Set the item onto the tip of the heat gun and push firmly into place by hand.

To remove a nozzle:

1. Set the heat gun upright on a level surface until the tip is cool.
2. Pull the item off of the tip.



Product Registration

Register your product online at www.wagnerspraytech.com.

Wagner three year limited warranty - Keep on file

This product, manufactured by Wagner Spray Tech Corporation (Wagner), is warranted against defects in material and workmanship for three years following the date of purchase if operated in accordance with Wagner's printed recommendations and instructions. This warranty does not cover any defects or damages caused by service or repair performed by unauthorized personnel.

ANY IMPLIED WARRANTY OF MERCHANTABILITY OR FITNESS FOR A PARTICULAR PURPOSE IS LIMITED TO THREE YEARS FOLLOWING THE DATE OF PURCHASE. WAGNER SHALL NOT IN ANY EVENT BE LIABLE FOR ANY INCIDENTAL OR CONSEQUENTIAL DAMAGES OF ANY KIND, WHETHER FOR BREACH OF THE WARRANTY OR ANY OTHER REASON. THIS WARRANTY DOES NOT APPLY TO ACCESSORIES.

THE PRODUCT IS DESIGNED FOR HOME USAGE ONLY. IF USED FOR COMMERCIAL OR RENTAL PURPOSES, THIS WARRANTY APPLIES ONLY FOR 30 DAYS FROM THE DATE OF PURCHASE.

If any product is defective in material and workmanship during the applicable warranty period, return it with proof of purchase, transportation prepaid to Wagner Spray Tech, 1770 Fernbrook Lane, Plymouth, MN 55447. Wagner will either repair or replace the product (at Wagner's option) and return it to you, postage prepaid.

SOME STATES DO NOT ALLOW LIMITATIONS ON HOW LONG AN IMPLIED WARRANTY LASTS OR THE EXCLUSION OF INCIDENTAL OR CONSEQUENTIAL DAMAGES, SO THE ABOVE LIMITATION AND EXCLUSION MAY NOT APPLY TO YOU.

THIS WARRANTY GIVES YOU SPECIFIC LEGAL RIGHTS, AND YOU MAY ALSO HAVE OTHER RIGHTS WHICH VARY FROM STATE TO STATE.

Questions?

Call Wagner Technical Service at:

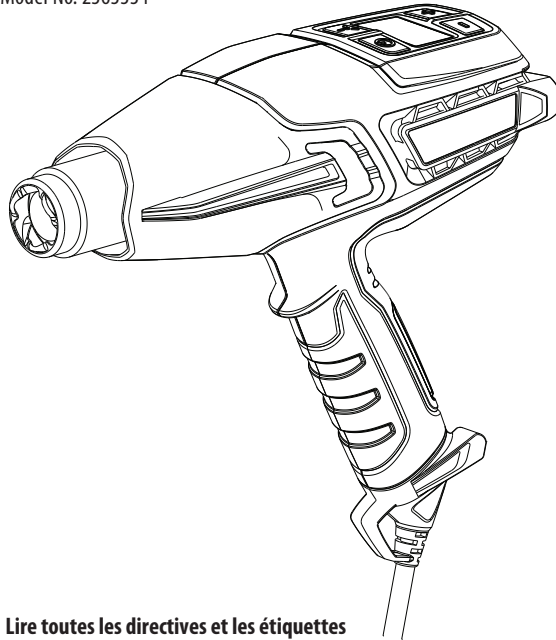
1-800-727-4023

Register your product online at:

www.wagnerspraytech.com

WAGNER

Model No. 2363334



Lire toutes les directives et les étiquettes de produits. Suivre toutes les mesures de sécurité lors de l'utilisation d'outils électriques afin de réduire tout risque d'incendie, de choc électrique ou de blessure.

FURNO™ 500

PISTOLET À AIR CHAUD

À ÉCRAN DEL

GUIDE D'UTILISATION

F



Double
isolation



Importantes consignes de sécurité • Lire toutes ces consignes avant d'utiliser l'appareil. GARDER CES CONSIGNES.

Pour réduire les risques d'incendie ou d'explosion, de choc électrique et de blessure, vous devez lire et comprendre les directives figurant dans ce manuel. Familiarisez-vous avec les commandes et l'utilisation adéquate de l'équipement.



Indique une situation à risque, laquelle, si elle n'est pas évitée, peut entraîner des blessures graves, voire la mort.



RISQUE D'EMPOISONNEMENT -

Il est essentiel de faire preuve d'une extrême prudence lors du décapage d'une surface peinte. Les pellicules, les résidus et les émanations de peinture peuvent contenir du plomb, un produit toxique. Toute peinture ayant été appliquée sur des maisons avant 1950 est susceptible de contenir du plomb; et toute peinture ayant été fabriquée avant 1977 peut aussi contenir du plomb. Une fois que la peinture est déposée sur une surface, le fait de porter la main à la bouche peut entraîner l'ingestion d'une quantité de plomb. Cette quantité, si minime soit-elle, peut causer des dommages irréversibles sérieux au cerveau ou au système nerveux. Les jeunes enfants et les foetus sont particulièrement vulnérables à ce type d'empoisonnement.

Avant de commencer tout décapage d'une surface peinte, il est essentiel de vérifier si la peinture contient du plomb. Cette opération peut être effectuée par un service de la santé local, ou par un professionnel, à l'aide d'un analyseur de peinture servant à vérifier le contenu en plomb de la peinture. **LES PEINTURES CONTENANT DU PLOMB NE DOIVENT ÊTRE ENLEVÉES QUÉ PAR UN PROFESSIONNEL; LE PISTOLET À AIR CHAUD NE PEUT ÊTRE, DANS UN TEL CAS, UTILISÉ.**

MESURES PRÉVENTIVES :

- Déplacer l'objet à décapier à l'extérieur. Si cela n'est pas possible, s'assurer que la zone de travail reçoit un bon apport d'air. Ouvrir les fenêtres et placer un ventilateur d'évacuation à l'intérieur de l'une d'elles. S'assurer que le ventilateur déplace l'air de l'intérieur à l'extérieur.
- Enlever ou recouvrir tout tapis, toute carpe, tout meuble, tout vêtement, tout ustensile de cuisine et tout conduit d'air.
- Placer des toiles de protection à l'intérieur de la zone de travail, afin de recueillir toute pellicule ou tout éclat de peinture. Porter des vêtements de protection, tels qu'une chemise de travail supplémentaire, une combinaison et un chapeau.
- Ne travailler que dans une seule pièce à la fois. Les meubles doivent être retirés ou placés au centre de la pièce et recouverts. La pièce dans laquelle s'effectue le travail doit être isolée du reste de l'édifice à l'aide de toiles de protection placées sur les portes.
- Les enfants, les femmes enceintes ou possiblement enceintes, ainsi que les mères qui allaitent, ne doivent pas pénétrer dans la pièce tant et aussi longtemps que le travail n'est pas terminé et que le nettoyage n'a pas été effectué.
- Porter un masque anti-poussière ou un masque à deux filtres contre la poussière et les émanations, ayant été approuvé par l'Occupational Safety and Health Administration (OSHA), le National Institute of Safety and Health (NIOSH), ou le United States Bureau of Mines. Ces masques, ainsi que les filtres jetables, peuvent être facilement obtenus chez les principaux quincailliers. S'assurer que le masque s'adapte bien aux formes du visage. La barbe et les poils faciaux peuvent empêcher le masque de bien adhérer au visage. Changer les filtres régulièrement. **LES MASQUES EN PAPIER JETABLES NE SONT PAS ACCEPTÉS.**
- Faire preuve de prudence lors de l'utilisation du pistolet. Garder ce dernier constamment en mouvement, étant donné qu'une chaleur excessive engendre des vapeurs pouvant être inhalées par l'opérateur.
- Conserver toute nourriture et tout breuvage à l'extérieur de la pièce où s'effectue le travail. Se laver les mains, les bras et le visage, et se rincer la bouche avant de manger ou



Importantes consignes de sécurité • Lire toutes ces consignes avant d'utiliser l'appareil. GARDER CES CONSIGNES.

de boire. Ne pas fumer ou mastiquer de la gomme à mâcher ou du tabac dans la pièce dans laquelle on effectue le travail.

- Enlever tous les résidus de peinture et toute la poussière en essuyant le plancher à l'aide d'un balai à franges humide. Utiliser aussi un linge humide pour nettoyer tous les murs, tous les rebords et toute autre surface pouvant comporter des résidus de peinture. NE PAS BALAYER, ÉPOUSSETER OU UTILISER D'ASPIRATEUR. Au cours de l'opération de nettoyage, utiliser un détergent à haute teneur de phosphate trisodique.
- À la fin de chaque session de travail, placer les éclats et les débris de peinture dans un sac en plastique double, le fermer à l'aide d'un ruban adhésif ou d'attaches, puis en disposer d'une manière adéquate.
- Retirer les vêtements de protection et les chaussures de travail avant de quitter la zone de travail, afin d'éviter de transporter de la poussière dans le reste de l'édifice. Laver les vêtements de travail séparément. Essuyer les chaussures avec un linge humide, puis les laver avec les vêtements de travail. Se laver les cheveux et le corps entièrement avec de l'eau et du savon.

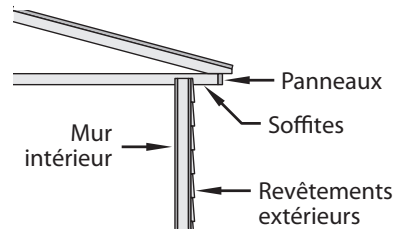


RISQUE D'EXPLOSION OU D'INCENDIE

Le pistolet à air chaud génère des températures extrêmement élevées (pouvant atteindre 1200°F, ou 648°C). Il doit donc être utilisé avec prudence, afin d'éviter toute inflammation de matériau combustible.

MESURES PRÉVENTIVES :

- Garder le pistolet constamment en mouvement. Ne pas s'arrêter ou s'attarder à un endroit précis.
- Agir avec une extrême prudence lorsque la partie se trouvant à l'arrière du matériau devant être enlevé est inaccessible, tel le revêtement extérieur d'une maison. Endroits cachés tels que derrière les murs, plafonds, planchers, planches d'intrados et d'autres panneaux peuvent contenir des matériaux inflammables qui pourraient être allumés par le pistolet thermique lorsque l'on travaille dans ces endroits. L'allumage de ces matériaux peut ne pas être évident et pourrait entraîner des dommages matériels et des blessures à des personnes. Lorsque vous travaillez dans ces endroits, garder le pistolet à air chaud se déplaçant dans un mouvement de va-et-vient. Persistante ou la pause dans un endroit pourrait enflammer le panneau ou de la matière derrière elle.
- Ne pas utiliser l'appareil à proximité de surfaces présentant des fissures ou à proximité de conduits en métal ou de bandes d'étanchéité. La chaleur peut traverser la surface de travail et enflammer le matériau caché. L'inflammation d'un matériau caché n'étant pas toujours facile à déceler, des blessures ou des dommages matériels peuvent en résulter.
- Ne pas utiliser d'outils électriques à proximité de liquides ou de gaz inflammables.
- Ne pas utiliser l'appareil à proximité de matériaux combustibles, tels que de l'herbe ou des feuilles sèches, ou encore, du papier, étant donné que ces derniers peuvent s'enflammer rapidement.
- La buse devient très chaude. Par conséquent, ne pas déposer le pistolet sur des surfaces inflammables lors de son utilisation ou immédiatement après l'avoir arrêté. Toujours déposer le pistolet sur une surface plate et de niveau de façon que le bec de la buse soit dirigé vers le haut et, de par le fait même, éloigné de la surface.
- Ne pas toucher la buse avant que l'outil ne soit refroidi.
- Ne pas utiliser le pistolet en tant que séchoir à cheveux.
- Les outils et les raclures de peinture deviennent très chauds. Pour éviter toute brûlure, porter des gants de travail et une protection oculaire lors de l'opération de raclage.
- Toujours traiter les unités d'air chaud avec la même précaution que s'il s'agissait d'une flamme nue.





Importantes consignes de sécurité • Lire toutes ces consignes avant d'utiliser l'appareil. GARDER CES CONSIGNES.



RISQUES AU NIVEAU DES ÉLÉMENTS ÉLECTRIQUES

Peut causer des dommages matériels, des blessures graves ou même mortelles.

MESURES PRÉVENTIVES :

- Ne démontez pas le pistolet à air chaud.
- Ne pas travailler dans un endroit humide ou exposer le pistolet à la pluie.
- Se protéger contre les chocs électriques en évitant tout contact du corps avec des éléments mis à la terre, telles que des conduits, des radiateurs, des cuisinières, des échelles en aluminium, ou tout autre dispositif mis à la terre.
- Ne pas faire un usage abusif du cordon électrique. Ne jamais transporter le pistolet à l'aide du cordon électrique, ou tirer sur ce dernier pour débrancher l'appareil. Garder le cordon électrique éloigné des sources de chaleur, des contenants d'huile ou des arêtes vives. Vérifier régulièrement le cordon, afin de s'assurer que ce dernier n'est pas usé ou endommagé.
- N'utiliser que les rallonges appropriées à un usage extérieur. Si une rallonge est endommagée ou autrement inadéquate, la remplacer.
- **AVERTISSEMENT** - Afin d'éviter tout risque d'électrocution, ne pas exposer à l'eau de pluie ou à l'humidité. A stocker à l'intérieur. Lire le manuel de l'utilisateur avant chaque utilisation.



RISQUES D'ORDRE GÉNÉRAL

Peut causer des dommages matériels ou des blessures graves.

MESURES PRÉVENTIVES :

- Toujours débrancher le pistolet à air chaud lorsque ce dernier n'est pas utilisé. L'entreposer à l'intérieur dans un endroit sec et hors de la portée des enfants.
- Maintenir la zone de travail propre et assurer un bon éclairage.
- Ne pas trop étirer le corps, surtout lorsque l'on travaille sur une échelle. Se maintenir dans une position stable en tout temps. S'assurer que les échelles sont solides, ou la terre ferme, bien en équilibre et érigées sur une surface plate et à un angle sécuritaire.
- Éviter les fils électriques.
- Garder les articles amovibles stables et en lieu sûr lors de l'opération de décapage.
- Toujours utiliser des lunettes de protection au cours de l'opération.
- Toujours être vigilant et faire preuve de jugement lors de l'utilisation de n'importe quel outil.
- Toujours utiliser buse déflecteur incurvé (P/N 2366225) pour dégeler des tuyaux. NE JAMAIS utiliser pour dégeler des tuyaux situés à l'intérieur des murs ou près de combustibles.



Certains fragments, résidus, poussières et vapeurs engendrés par l'enlèvement de peinture contiennent des produits chimiques que l'état de la Californie reconnaît comme générateurs d'anomalies congénitales ou de troubles reproductifs. On peut notamment penser à l'élément principal des peintures à base de plomb, en présence desquelles on ne doit pas utiliser de décapage thermique. Les risques varient en fonction de la fréquence et du degré d'exposition; pour réduire ce dernier, on doit toujours travailler dans un endroit bien ventilé et être muni d'équipement de sécurité approuvé, comme un masque antipoussières spécialement conçu pour filtrer les particules microscopiques.



Importantes consignes de sécurité • Lire toutes ces consignes avant d'utiliser l'appareil. GARDER CES CONSIGNES.

Renseignements importants sur l'électricité

Utilisez uniquement une rallonge qui acceptera la fiche du produit. S'assurer que la rallonge est en bon état. S'assurer également que cette dernière convient au courant consommé par l'appareil. Une rallonge de calibre inférieur produirait une perte de tension, entraînant une perte de puissance et une surchauffe de l'appareil. Un cordon de type SJT est nécessaire. Cordon doit être 14 AWG minimum pour un usage général à l'intérieur.

Le pistolet à air chaud est muni d'une fiche polarisée. Une pale est plus large que l'autre. Afin de réduire le risque de choc électrique, la fiche a été conçue pour se brancher dans une prise polarisée d'une seule manière. Si vous ne pouvez insérer la fiche à fond dans la prise, inversez-la. Si elle ne s'enfonce toujours pas correctement, consultez un électricien qualifié. Veuillez n'apporter aucune modification à la fiche. Lors de l'entretien, utiliser uniquement des pièces de rechange identiques. Contactez WAGNER pour un cordon de remplacement.

Description générale

Le pistolet à air chaud est un outil électrique de qualité. Comme tout autre outil électrique, une utilisation non adéquate de l'appareil pourrait s'avérer dangereuse. Il est donc important de lire attentivement les directives présentées ci-dessous et de respecter toutes les mesures de sécurité indiquées. Il incombe au propriétaire d'utiliser cet appareil correctement. L'utilisation du pistolet à air chaud est réservée uniquement aux personnes adultes.

Spécifications

Boîtier: fabrication en polymère hautement résistant à la corrosion et à la chaleur

Tension: 1 500 W en régime élevé et 150 W en régime lent

Chaleur émise: environ 648°C (1 200°F) en régime élevé et 66°C (150°F) en régime lent

Poids: 0,88 kg (1,95 lb)



Pour de plus amples renseignements sur plusieurs projets et vidéos « pratico-pratique », veuillez consulter le site www.wagnerspraytech.com.

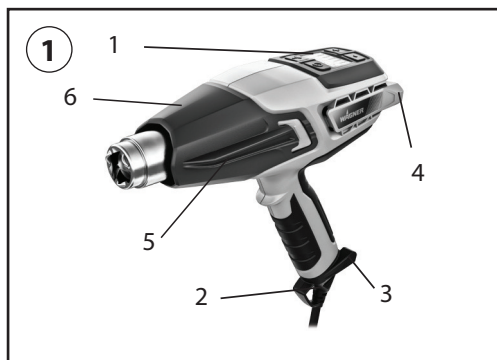
Utilisation du Pistolet à Air Chaud



Toujours lire les consignes de sécurité incluses dans le présent manuel avant d'utiliser le pistolet à air chaud.

Description du composant (fig. 1)

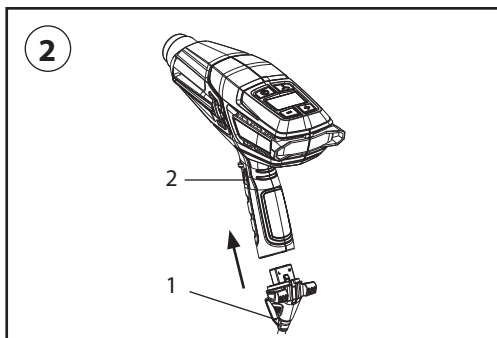
- 1) Écran DEL graphique et panneau de commande
- 2) Anneau
- 3) Cordon amovible avec stabilisateurs intégrés (amovible avec l'outil)
- 4) Bavures stabilisatrices arrière (support)
- 5) Barres latérales pour empêcher la buse de toucher la surface
- 6) Écran thermique



Fixation du cordon d'alimentation (fig. 2)

Le cordon d'alimentation (fig. 2, 1) du pistolet à air chaud est livré séparé du pistolet (fig. 2, 2).

Pour le fixer, aligner le cordon près de la rainure faisant face vers l'avant avec l'emboîtement sur la poignée du pistolet et pousser les pièces ensemble jusqu'à ce qu'un déclic soit entendu.



Fonctionnement mains libres (Fig. 3)

Le pistolet à air chaud dispose d'un support intégré pour les applications sur table et le refroidissement.



Panneau de commande tactile

Le pistolet à air chaud offre une vaste plage de température, permettant de choisir la température selon le type de projet. La température peut être réglée au moyen du panneau de commande.

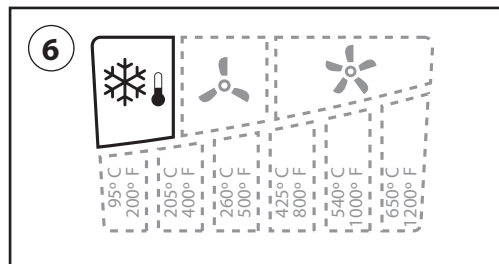
Description	4
1) Bouton de mise en marche : Met le pistolet à air chaud EN MARCHÉ et l'ARRÊTE, ou met l'outil en mode refroidissement.	1
2) Sélecteur de mode : Règle la température et la vitesse de débit d'air	2
3) Indicateur de mode : Faible débit d'air/ faible température (voir la fig. 5, a)	3
4) Indicateur de mode : Débit d'air élevé/ température élevée (voir la fig. 5, b)	4
5) Indicateur de mode : Refroidissement	5
6) Indicateur de température : Indique la puissance calorifique (voir la fig. 5)	6
7) Sélecteur de température : Augmente la température (+)	7
8) Sélecteur de température : Réduit la température (-)	8

Écran DEL pour affichage de la température

Description	5a
<p>Débit d'air : Faible</p> <p>Plage de température : 150 °F à 1050 °F</p> <p>Températures du cycle : Voir les fig. 4, 7 et 8</p> <p>———— = Illuminé</p> <p>- - - - - = Non illuminé</p>	<p>5a</p>
<p>Débit d'air : Élevé</p> <p>Plage de température : 200 °F à 1200 °F</p> <p>Températures du cycle : Voir les fig. 4, 7 et 8</p> <p>———— = Illuminé</p> <p>- - - - - = Non illuminé</p>	<p>5b</p>

Mode refroidissement (fig. 6)

Pendant le fonctionnement du pistolet à air chaud, appuyer une fois sur le bouton de mise en marche pour passer au mode refroidissement. En mode refroidissement, le pistolet fonctionnera pendant 30 secondes avec un débit d'air maximal. Pendant cette période, toutes les barres de température clignoteront et s'éteindront en descendant pour indiquer le refroidissement. Pour annuler le mode refroidissement, appuyer sur le bouton de mise en marche et le maintenir enfoncé pendant deux ou trois secondes.



Démarrage

1. Brancher l'appareil dans une prise de courant murale standard.
2. Mettre le pistolet à air chaud en marche en appuyant sur le bouton de mise en marche du panneau de commande (fig. 4, 1). Lorsque le pistolet est mis en marche, il est automatiquement réglé à la faible température (fig. 5, a) à 150 °F (66°C) et à un faible débit d'air.
3. Pour continuer à travailler avec la faible température, il suffit d'appuyer sur le bouton plus ou moins de l'écran tactile jusqu'à ce que la température souhaitée soit sélectionnée. La barre de température allumée indique la température sélectionnée.
4. Pour continuer à travailler avec la plage de température élevée et le débit d'air élevé, il faut appuyer une fois sur le bouton du sélecteur de mode (fig. 4, 2). L'indicateur de la plage de température élevée s'allumera. Il suffit maintenant d'appuyer sur le bouton plus ou moins de l'écran tactile jusqu'à ce que la température souhaitée soit sélectionnée, soit lorsque la bonne barre de température sera allumée.

IMPORTANT : Si le moteur de ventilateur du pistolet à air chaud ne se met pas en marche lorsqu'on active le bouton de mise en marche, arrêter immédiatement le pistolet.

L'élément chauffant brûlera s'il n'est pas refroidi par le ventilateur.

5. Pendant les périodes de repos ou à la fin du projet, appuyer sur le bouton de mise en marche pour passer au mode refroidissement. Le témoin bleu du mode refroidissement s'allumera et le pistolet continuera de fonctionner avec l'élément désactivé afin de refroidir l'appareil.
6. Poser le pistolet à la verticale. Le pistolet à air chaud s'éteindra après 30 secondes.

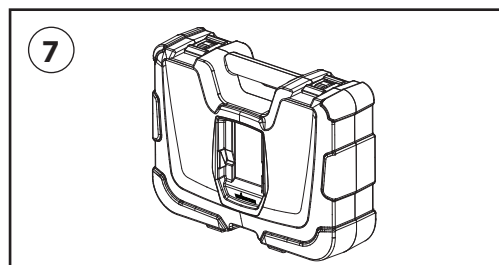


Le canon du pistolet à air chaud pourrait encore être chaud après le passage au mode refroidissement.

Remarque : De la fumée causée par la combustion des huiles de fabrication peut se manifester au cours du démarrage initial. Cette fumée devrait disparaître en moins d'une minute.

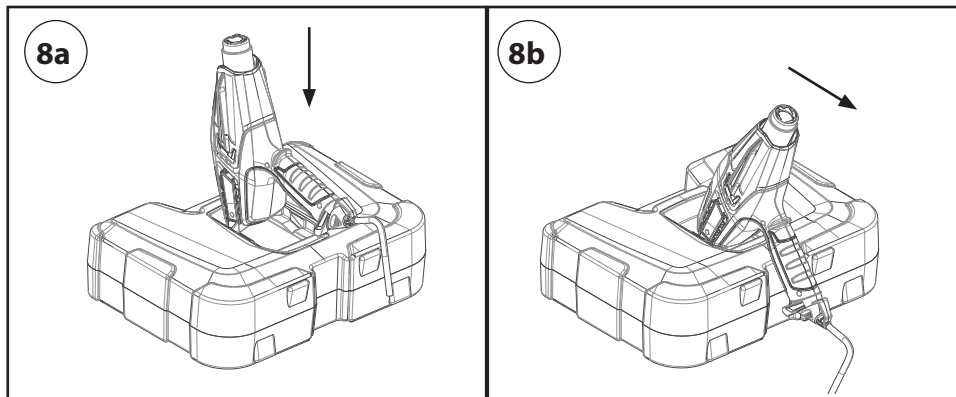
Étui (facultatif) (fig. 7)

L'étui du pistolet à air chaud a été spécialement conçu pour garder le pistolet à air chaud à la verticale pour faciliter le travail sur des surfaces inégales (voir AngleLoc, ci-dessous).



AngleLoc™ (fig. 8)

- A:** Insérer l'arrière du pistolet à air chaud de façon à ce que les bavures stabilisatrices arrière se trouvent sous les saillies sur la paroi latérale de la cavité du dessus de l'étui.
- B:** Glisser ensuite le pistolet à air chaud vers l'avant afin qu'il s'enclenche en place à un angle de 135 degrés. Le pistolet à air chaud devrait maintenant être fixé solidement pour utilisation à la verticale.



Remarque: Lorsqu'on arrête le pistolet soit momentanément ou pour le ranger, toujours le placer à la verticale (éviter de le mettre sur le côté). L'outil reste chaud pendant un moment avant de se refroidir; on doit donc attendre que la buse se soit refroidie avant de le ranger, et le débrancher, afin d'éviter les démarrages accidentels.

De nombreuses variables ont des répercussions sur les applications de chauffage, comme le produit à chauffer, la température ambiante, la distance entre le pistolet et le substrat, ainsi que la technique de chauffage. C'est pour cette raison que Wagner a fourni des lignes directrices relatives aux températures pour certaines applications. Toujours démarrer le pistolet à air chaud à la plus faible température de la plage de température et augmenter ensuite la température jusqu'à l'obtention de la température optimale. Toujours garder le pistolet à air chaud en mouvement au moins à 5 cm du substrat pendant l'application de la chaleur.

Pour de plus amples renseignements sur plusieurs projets et vidéos « pratico-pratique », veuillez consulter notre site Web à l'adresse www.wagnerspraytech.com.

IMPORTANT: Toujours protéger la surface vitrée lorsqu'on travaille près des fenêtres.



Au cours du travail, éviter de toucher à la buse du pistolet ou à tout outil métallique exposé à l'air chaud. Ceux-ci deviennent extrêmement chauds et peuvent entraîner de graves brûlures. Porter des gants en cuir pour protéger vos mains.

Lignes directrices en matière de chauffage

Le pistolet à air chaud est l'un des outils les plus polyvalents que l'on puisse posséder. Le pistolet peut être utilisé pour une grande variété de projets, qu'il s'agisse de gros projets de bricolage ou de petits projets d'artisanat.

Low = FAIBLE

Medium = MOYENNE

High = ÉLEVÉE

Utilisation		Réglage de chaleur	Options de la buse*
Bricolage	Décaper de la peinture	ÉLEVÉE	Buse de concentration ou buse évasée
	Réparer un mur	FAIBLE/ MOYENNE	Ouvert (aucune buse)
	Sécher de la peinture	FAIBLE/ MOYENNE	Ouvert (aucune buse)
	Ramollir les adhésifs pour enlever des carreaux de sol	FAIBLE/ MOYENNE	Buse évasée
	Plier du plastique, du verre plastique, du formica	FAIBLE/ ÉLEVÉE	Ouvert/buse de concentration
	Enlever du formica et du linoléum	FAIBLE/ MOYENNE	Buse évasée
	Ramollir la peinture, le calfeutrant et le mastic pour faciliter l'enlèvement (utiliser l'écran thermique)	ÉLEVÉE	Buse de concentration ou buse évasée
	Contracter du film plastique pour emballer ou étanchéifier	FAIBLE/ MOYENNE	Buse évasée
Petites tâches (y compris des réparations)	Dévisser les écrous, les boulons et les raccords rouillés	ÉLEVÉE	Ouvert/buse de concentration
	Enlever les adhésifs	FAIBLE/ MOYENNE	Ouvert (aucune buse)
	Farter des skis/une planche à neige	FAIBLE/ MOYENNE	Buse évasée
	Travailler avec des fibres de verre	MOYENNE/ ÉLEVÉE	Buse de concentration ou buse évasée
	Dégeler des tuyaux	FAIBLE	Déflexeur courbé
	Allumer le grill d'un BBQ	ÉLEVÉE	Buse de concentration/buse pour BBQ
	Chauffer du béton avant le ragréage	FAIBLE/ ÉLEVÉE	Buse de concentration
	Dégivrer le réfrigérateur/ congélateur	FAIBLE/ MOYENNE	Ouvert (aucune buse)

Artisanat	Fabriquer des chandelles	FAIBLE	Ouvert (aucune buse)
	Fabriquer des savons	FAIBLE	Ouvert (aucune buse)
	Emballer des cadeaux par rétraction	FAIBLE	Ouvert (aucune buse)
	Façonner la mousse	FAIBLE	Ouvert (aucune buse)
	Décorer des biscuits	FAIBLE/ ÉLEVÉE	Ouvert (aucune buse)
Automobile	Enlever des autocollants, des emblèmes et des décalcomanies	FAIBLE/ MOYENNE	Ouvert (aucune buse)
	Débosseler	MOYENNE / ÉLEVÉE	Ouvert (aucune buse)
	Enlever la peinture	ÉLEVÉE	Buse de concentration ou buse évasée
	Appliquer et enlever une pellicule teintée	FAIBLE/ MOYENNE	Ouvert (aucune buse)
	Restaurer des pare-chocs	MOYENNE/ ÉLEVÉE	Ouvert (aucune buse)
Électronique	Réparer des téléphones intelligents et des tablettes	FAIBLE	Buse de concentration
	Réparer un PlayStation et un Xbox	FAIBLE	Buse de concentration

*Il se peut que les buses ne soient pas incluses dans votre ensemble pistolet à air chaud. Voir la section Accessoires à la page 25.

IMPORTANT : Placer immédiatement l'interrupteur à la position arrêt si le moteur à soufflerie du pistolet à air chaud ne s'allume pas quand l'interrupteur est placé à la position LOW (BAS), MEDIUM (MOYENNE) ou HIGH (ÉLEVÉ). L'élément chauffant peut griller s'il n'est pas refroidi au moyen de la soufflerie.

Décapage d'une surface peinte

IMPORTANT : Lire la section comportant des renseignements généraux sur l'utilisation de l'appareil, ainsi que sur la sécurité, présentés dans le présent manuel de l'utilisateur, avant toute utilisation du pistolet à air chaud.

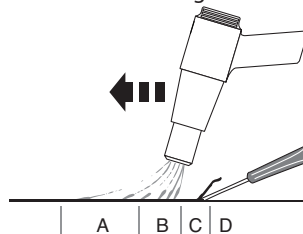
Le pistolet chauffe la surface, ramollissant ainsi la peinture. À ce stade, cette dernière peut être enlevée. Certaines peintures peuvent se ramollir sans se boursoufler, d'autres peuvent adopter une consistance de caoutchouc, et d'autres encore, exiger plus de chaleur. Lorsque l'on doit retirer plusieurs couches de peinture, il est préférable de chauffer la surface en profondeur, jusqu'au bois, afin d'accélérer le processus de décapage. Ainsi toutes les couches peuvent être retirées en une seule fois.

Une brosse métallique douce est probablement l'outil idéal pour travailler sur des surfaces complexes. Les peintures et les finis minéraux, telles les peintures et les porcelaines à base de ciment, ne se ramollissent pas sous l'effet de la chaleur; un outil à air chaud ne sera donc d'aucune utilité pour ce type de produits.

La meilleure méthode pour enlever de la peinture

Déplacer le pistolet lentement et d'une façon régulière vers l'avant en le plaçant de façon qu'il forme un angle avec la surface et pointer la buse dans la direction du mouvement. Ce procédé permet de décaper en toute sécurité en dehors du jet d'air chaud et de conserver le grattoir et la surface décapée plus froide.

- A. Au préalable, l'air chaud chauffe la surface.
- B. La peinture se ramolli sous l'effet de l'air chaud.
- A+B. La chaleur pénètre toute la surface en profondeur.
- C. La peinture peut être enlevée aussitôt que celle-ci s'est ramollie et que le pistolet a été déplacé vers l'avant.
- D. La surface ayant été décapée doit refroidir.



Remarque : Ne pas utiliser le pistolet sur des surfaces susceptibles de s'endommager par la chaleur, comme les panneaux, les parements et les cadres de fenêtres recouverts de vinyle.

Si on utilise le pistolet pour enlever la peinture de cadres de fenêtres, la chaleur émise peut faire ramollir le mastic; s'assurer de ne pas endommager ce dernier avec le grattoir utilisé; le mastic se raffermira une fois refroidi.

Ne pas utiliser le pistolet sur des vitres feuilletées isolantes (comme celles de marque Thermopane par exemple); les bords risent de se dilater et de percer le calfeutrage.

Lorsque'on gratte les bordures de toit, s'assurer de ne pas surchauffer les bords des bardeaux d'asphalte qui font saillie sur le support de couverture; une chaleur excessive peut faire fondre l'asphalte.

IMPORTANT : Le décapage d'une surface peinte à l'aide d'un pistolet à air chaud est une opération ne présentant aucun danger, pourvu que les directives présentées ci-dessus soient respectées. Il est néanmoins recommandé de conserver un contenant d'eau ou un extincteur ABC (convient à la protection contre les incendies de catégorie A, B et C) à portée de la main.

Nettoyage et entretien

Garder les ouvertures d'alimentation du boîtier propres et libres de toute obstruction. Utiliser une brosse douce et sèche pour nettoyer les ouvertures régulièrement. Pour nettoyer le pistolet, utiliser uniquement un linge humide. Plusieurs nettoyeurs domestiques contiennent des produits chimiques qui pourraient endommager sérieusement le boîtier du pistolet.





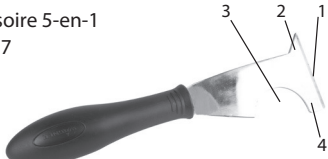
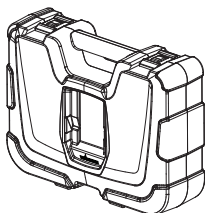
Nes pas utiliser d'essence, de térébenthine, de vernis-laque, de diluant pour peintures, de solution à sec (ou tout autre produit semblable) pour nettoyer le pistolet. Ne jamais laisser de liquide s'infiltrer à l'intérieur de l'outil et ne jamais immerger ce dernier, en tout ou en partie dans quelque liquide que ce soit.

Entreposage

Conserver ce manuel avec le pistolet à air chaud. Attendre que la buse du pistolet se soit refroidie à la température de la pièce avant de l'entreposer. Au bout d'un certain temps d'utilisation, la buse devient noire à cause de la chaleur élevée produite par l'appareil. Ceci est tout à fait normal et ne nuira aucunement à la performance ou à la durée de vie de l'unité.

Accessoires

Les accessoires suivants peuvent être fourni avec le pistolet à air chaud ou peuvent être séparément achetés en appelant 1-800-727-4023.

<p>Buse de concentration P/N 2366222</p> 	<p>Orienté un flux de chaleur concentré sur la surface de travail. Idéale pour enlever la peinture dans les coins, les fissures, les moulures, les moulures demi-rond ou chambranles difficiles.</p>	<p>Buse de protection du verre P/N 2366224</p> 	<p>Détourne la chaleur du verre ou d'autres surfaces fragiles. Idéale pour les appuis, rebords et cadres de fenêtres, ainsi que les plinthes.</p>
<p>Buse évasée P/N 2366223</p> 	<p>Orienté un long flux de chaleur étroit vers la surface de travail. Idéale pour enlever de la peinture ou du vernis de grandes surfaces plates, comme les plinthes, les portes, les escaliers, etc. La buse devrait être utilisée conjointement avec un grattoir plat.</p>	<p>Défecteur courbé P/N 2366225</p> 	<p>Disperse le flux de chaleur uniformément autour de la surface de travail complète. Idéale pour dégelés des tuyaux congelés, souder des tuyaux, plier du plastique ou contracter des tubes isolants.</p>
<p>Outil accessoire 5-en-1 P/N 2366227</p> 	<p>La lame (1) est utilisée pour gratter la peinture et étaler le composé. La pointe pour creuser (2) est utilisée pour enlever le mastic/calfeutrant et le bord courbé (3) est utilisé pour nettoyer les manchons de rouleau. Le côté plat (4) peut également servir à ouvrir les pots de peinture.</p>		
<p>Étui P/N 2366226</p> 	<p>L'étui du pistolet à air chaud a été spécialement conçu pour garder le pistolet à air chaud à la verticale afin de faciliter le travail sur des surfaces inégales.</p>		

IMPORTANT : Toujours porter des gants lorsqu'on manipule le pistolet à air chaud.

Pour fixer un buse au pistolet:

1. Placer le pistolet à la verticale sur une surface plane et attendre que l'extrémité se soit refroidie.
2. Fixer l'accessoire sur l'extrémité du pistolet et l'enfoncer fermement en place.

Pour retirer un buse:

1. Placer le pistolet à la verticale sur une surface plane et attendre que l'extrémité se soit refroidie.
2. Retirer l'accessoire fixé sur l'extrémité.

Enregistrement du produit

Enregistrement du produit en ligne sur le site www.wagnerspraytech.com.

Garantie Limitée de Wagner - À Conserver

Ce produit, fabriqué par Wagner Spray Tech Corporation (Wagner) est garanti contre tout défaut de matières et de fabrication pour les trois ans qui suivent la date d'achat lorsqu'il est utilisé conformément aux recommandations et directives imprimées de Wagner. La présente garantie ne vise pas les dégâts ou dommages causés par la mauvaise utilisation, les accidents, la négligence de l'utilisateur ou l'usure normale. La présente garantie ne vise pas les défauts ou dommages causés par l'entretien ou les réparations effectués par toute personne, sauf par un Centre d'entretien autorisé Wagner.

TOUTE GARANTIE IMPLICITE DE VENDABILITÉ OU DE CONVENANCE À UNE DESTINATION PARTICULIÈRE EST LIMITÉE AUX TROIS ANS QUI SUIVENT LA DATE D'ACHAT. EN TOUT ÉTAT DE CAUSE, WAGNER NE SAURAIT ÊTRE TENUE RESPONSABLE DE TOUT DOMMAGE INDIRECT OU CONSÉCUTIF, QUELLE QU'EN SOIT LA NATURE, QUE CE SOIT POUR VIOLATION DE LA PRÉSENTE GARANTIE OU POUR TOUT AUTRE MOTIF. LA PRÉSENTE GARANTIE NE S'APPLIQUE PAS AUX ACCESSOIRES.

CE PRODUIT EST CONÇU POUR USAGE DOMESTIQUE SEULEMENT. LORSQU'IL EST UTILISÉ À DES FINS COMMERCIALES OU DE LOCATION, LA PRÉSENTE GARANTIE NE S'APPLIQUE QUE POUR LES 30 JOURS QUI SUIVENT LA DATE D'ACHAT.

Si un produit démontre un défaut de matières ou de fabrication durant la période de garantie pertinente, le retourner avec la preuve d'achat, port payé, à Wagner Spray Tech, 1770 Fernbrook Lane, Plymouth, MN 55447. Wagner effectuera soit la réparation ou le remplacement du produit (au choix de Wagner) et vous le retournera, frais de poste payés.

CERTAINES PROVINCES N'AUTORISANT AUCUNE RESTRICTION SUR LA DURÉE DE TOUTE GARANTIE IMPLICITE OU AUCUNE EXCLUSION QUANT AUX DOMMAGES IMPRÉVUS OU CONSÉQUENTIELS, LES EXCLUSIONS ET LES RESTRICTIONS ÉNONCÉES CI-DESSUS POURRAIENT NE PAS S'APPLIQUER.

CETTE GARANTIE VOUS CONFÈRE DES DROITS LÉGAUX PARTICULIERS, EN SUS DES AUTRES DROITS PROPRES À CHACUNE DES PROVINCES DONT VOUS POUVEZ BÉNÉFICIER.

Besoin d'aide?

Appelez le service technique Wagner

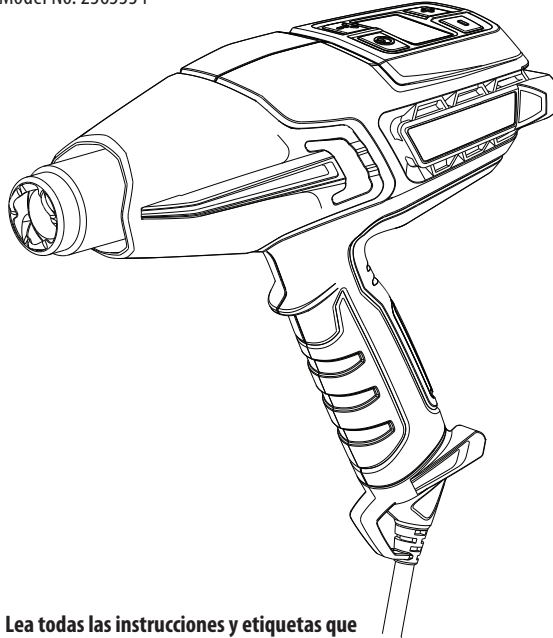
1-800-727-4023

Enregistrement du produit en ligne sur le site :

www.wagnerspraytech.com

WAGNER

Model No. 2363334



Lea todas las instrucciones y etiquetas que tenga el producto. Cuando use herramientas eléctricas, siga todas las precauciones para reducir el riesgo de incendio, electrocución y otras lesiones personales.

FURNO™ 500

PISTOLA DE CALOR LED

MANUAL DEL PROPIETARIO

ES



Aislamiento
doble



Información de seguridad importante • Lea toda la información de seguridad antes de operar el equipo. GUARDE ESTAS INSTRUCCIONES.

Para reducir los riesgos de incendios, explosiones, descargas eléctricas o lesiones a las personas, lea y entienda todas las instrucciones incluidas en este manual. Familiarícese con los controles y el uso adecuado del equipo.



Indica una situación peligrosa que, de no evitarse, puede causar la muerte o lesiones graves.



PELIGRO DE ENVENENAMIENTO

Se debe tener un cuidado extremo cuando se esté raspando pintura. Las escamas, residuos y vapores de pintura pueden contener plomo, el cual es venenoso. Cualquier pintura que se haya aplicado en las casas antes de 1950 es probable que contenga plomo. Cualquier pintura fabricada antes de 1977 es probable que contenga plomo. Una vez que la pintura se ha depositado sobre la superficie, cualquier contacto que haya de la mano a la boca puede traer como resultado la ingestión de plomo. El estar expuesto a incluso niveles bajos de plomo puede causar daños irreversibles en el cerebro y el sistema nervioso. Los niños pequeños y los fetos son particularmente vulnerables al envenenamiento por plomo.

Antes de iniciar cualquier proceso para quitar pintura debe determinar si la pintura que va a quitar contiene plomo. Esto puede hacerlo el departamento de salud de su localidad o un profesional que utilice un analizador de pintura para verificar el contenido de plomo de la pintura que se va a quitar. **LA PINTURA A BASE DE PLOMO LA DEBE QUITAR SOLAMENTE UN PROFESIONAL Y NO DEBE QUITARSE USANDO UNA PISTOLA DE AIRE CALIENTE.**

PARA PREVENIR:

- Saque la pieza de trabajo al exterior. Si esto no es posible, mantenga entonces el área de trabajo bien ventilada. Abra las ventanas y ponga un ventilador aspirante en una de ellas. Asegúrese de que el ventilador transporte el aire del interior hacia el exterior.
- Saque o cubra todas las alfombras, tapetes, muebles, prendas de ropa, utensilios para cocinar y conductos de aire.
- Ponga unas mantas protectoras en el área de trabajo para que se recoja cualquier pizca o escama de pintura. Póngase ropa protectora como son las camisas, overoles y cascos para trabajos extraordinarios.
- Trabaje en un sólo cuarto a la vez. Los muebles se deben sacar o poner en el centro del cuarto y cubrirse. Las áreas de trabajo deben cerrarse herméticamente, para aislarlas del resto del inmueble, sellando los arcos de las puertas con mantas protectoras.
- Los niños, las mujeres que estén embarazadas o que potencialmente puedan estarlo y las mamás que estén amamantando no deberán presentarse en el área de trabajo hasta que el trabajo esté terminado y se haya completado la limpieza.
- Póngase una mascarilla respiradora de polvos de tipo mascarilla respiradora de polvos y vapores de doble filtro que esté aprobada por la Administración de la Seguridad y Salud Ocupacionales (OSHA por sus siglas en inglés), el Instituto Nacional de la Seguridad y Salud (NIOSH por sus siglas en inglés) o la Oficina de Minas de los Estados Unidos. Estas mascarillas y filtros reemplazables se pueden conseguir fácilmente en las ferreterías principales. Asegúrese de que la mascarilla quede ajustada debidamente. Las barbas y demás pelo facial podrían evitar que las mascarillas sellaran apropiadamente. Cambie los filtros frecuentemente. Las mascarillas de papel desechables no son adecuadas.
- Sea precavido cuando tenga funcionando la pistola de aire caliente. Mantenga la pistola de aire caliente en movimiento ya que el calor excesivo generará vapores que el operario podría inhalar.
- Mantenga los alimentos y bebidas fuera del área de trabajo. Lávese las manos, los brazos y la cara y enjuáguese la boca antes de comer o beber algo. No fume ni mastique chicle ni tabaco cuando esté en el área de trabajo.



Información de seguridad importante • Lea toda la información de seguridad antes de operar el equipo. GUARDE ESTAS INSTRUCCIONES.

- Limpie y recoja toda la pintura que se raspó y el polvo trapeando los pisos. Use un trapo mojado para limpiar todas las paredes, bases de ventanas y cualquier otra superficie en donde haya polvo de pintura adherido. **NO BARRA, NI LIMPIE EL POLVO EN SECO O USANDO UNA ASPIRADORA.** Use un detergente de fosfato trisódico (TSP por sus siglas en inglés) con alto contenido de fosfato, para lavar y trapear las áreas.
- Al final de cada sesión de trabajo, ponga las pizcas y residuos de pintura en una bolsa doble de plástico, ciérrela con una cinta o ataduras de retorsión y elimínela en forma apropiada.
- Quítese la ropa protectora y los zapatos de trabajo en el área de trabajo para evitar meter el polvo al resto del edificio. Lave las prendas de ropa de trabajo por separado. Limpie los zapatos frotándolos con un trapo mojado y lave después el trapo junto con las prendas de ropa de trabajo. Lávese perfectamente el cabello y el cuerpo con agua y jabón.

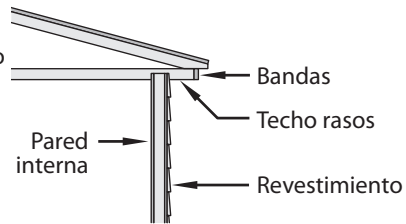


PELIGRO DE EXPLOSIÓN O INCENDIO

Esta pistola de aire caliente produce temperaturas extremadamente altas (tan altas como 1200° F [648° C]). Se debe usar con precaución para prevenir que el material combustible se encienda.

PARA PREVENIR:

- Mantenga la pistola con un movimiento constante. No se pare o detenga en un solo sitio.
- Sea extremadamente precavido si el otro lado del material que se está raspando está inaccesible, como es la fachada de la casa. Áreas ocultas como detrás de las paredes, techos, pisos, tableros de plafones y otros paneles pueden contener materiales inflamables que pueden inflamarse por la pistola de aire caliente cuando se trabaja en estos lugares. La ignición de estos materiales puede no ser evidente y podría resultar en daños a la propiedad y lesiones personales. Cuando se trabaja en lugares de contención, mantenga la pistola de aire caliente que se mueve en un movimiento hacia atrás y hacia adelante. Persistente o haciendo una pausa en un solo lugar se pudo encender el panel o el material detrás de él.
- No la use cerca de superficies con grietas ni cerca de tubería de metal o donde haya destellos. El calor podría transmitirse por detrás de la superficie de trabajo y encender el material oculto. La combustión de los materiales ocultos podría no notarse rápidamente, lo que puede traer como consecuencia daños en la propiedad y lesiones.
- No use herramientas eléctricas cuando haya líquidos o gases inflamables.
- No la use cerca de materiales combustibles, como son el pasto y hojas secas y el papel, que pueden chamuscarse e incendiarse.
- La boquilla se pone muy caliente. No recueste la pistola de aire caliente sobre superficies inflamables cuando la tenga funcionando ni inmediatamente después de haberla apagado. Fije siempre la pistola sobre una superficie nivelada y plana de modo que la punta de la boquilla quede apuntando hacia arriba y alejada de la superficie de apoyo.
- No toque la boquilla hasta que la herramienta se haya enfriado.
- No use la pistola de aire caliente como secadora de pelo.
- Las herramientas y la raspadura de pintura se ponen muy calientes. Para evitar las quemaduras, use guantes de trabajo y protección para los ojos cuando raspe.
- Trate siempre a las unidades de aire caliente con el mismo respeto con el que trataría a las llamas abiertas.





Información de seguridad importante • Lea toda la información de seguridad antes de operar el equipo. GUARDE ESTAS INSTRUCCIONES.



PELIGRO ELÉCTRICO

Podría causar daños en la propiedad, lesiones severas o la pérdida de la vida.

PARA PREVENIR:

- No desensamble la pistola de aire caliente.
- No trabaje en áreas mojadas ni exponga la pistola de aire caliente a la lluvia.
- Protéjase contra choques eléctricos previniendo el contacto corporal con las superficies conectadas a tierra como son las tuberías, radiadores, estufas, escaleras de aluminio y demás dispositivos conectados a tierra.
- No abuse del cordón eléctrico. No transporte nunca la pistola de aire caliente tomándola del cordón ni jale el cordón para desconectarla de la fuente de energía. Mantenga el cordón eléctrico lejos del calor, lubricantes y bordes filosos. Inspeccione el cordón regularmente para ver que no esté desgastado ni dañado.
- Use solamente cordones de extensión especificados para uso en exteriores. Si una extensión se daña o de algún modo resulta inapropiada para usarse, reemplácela con una nueva.
- **ADVERTENCIA** - Para reducir el riesgo de incendio o electrocución, no se exponga a la lluvia o a la humedad. No se almacene a la intemperie. Lea el manual del propietario antes de usar la unidad.



PELIGROS GENERALES

Podría causar daños en la propiedad o lesiones severas.

PARA PREVENIR:

- Desconecte siempre la pistola de aire caliente de la fuente de energía si no la está usando. Guárdela en el interior, en un lugar seco y fuera del alcance de los niños.
- Mantenga el área donde trabaje bien iluminada y limpia.
- No se estire, en especial cuando esté trabajando subido en una escalera. Mantenga una pisada y equilibrio apropiados en todo momento. Cerciérese de que cualquier escalera que se esté usando esté firme, estable, sobre una superficie sólida o sobre suelo firme y parada a un ángulo de trabajo seguro.
- Evite las líneas de energía.
- Mantenga los artículos que puedan moverse asegurados y firmes mientras esté raspando.
- Use siempre unas gafas protectoras cuando esté trabajando.
- Permanezca alerta y use su sentido común cuando tenga funcionando cualquier herramienta.
- Siempre utilice la boquilla deflector curvado (P/N 2366225) para descongelar tuberías congeladas. NUNCA utilice para descongelar tuberías congeladas ubicadas dentro de las paredes o cerca de materiales combustibles.



El polvo, el descascarillado, los residuos y los vapores creados al quitar la pintura contienen químicos que el estado de California ha determinado causan defectos congénitos u otros daños al sistema reproductor. Un ejemplo de esos químicos es el plomo de las pinturas a base de plomo (no use la pistola de aire caliente para quitar pintura a base de plomo). El riesgo de exposición varía, dependiendo de la frecuencia con que realiza este tipo de trabajo. Para reducir la exposición a esos químicos: trabaje en áreas bien ventiladas y trabaje con equipo de seguridad aprobado, por ejemplo, mascarillas antipolvo diseñadas especialmente para filtrar partículas microscópicas.



Información de seguridad importante • Lea toda la información de seguridad antes de operar el equipo. GUARDE ESTAS INSTRUCCIONES.

Información eléctrica importante

Utilice sólo un cable de extensión que acepte el enchufe del producto. Revise que el cable de extensión esté en buen estado. Al utilizar un cable de extensión, fíjese que sea del calibre apto para transmitir la corriente que consume el producto. Un cable de calibre insuficiente hará que baje el voltaje de la línea perdiendo potencia y produciendo sobrecalentamiento en la unidad. Se requiere un cable de tipo SJT. Cordón será 14 AWG mínimo para uso en interiores en general.

Esta pistola de aire caliente cuenta con un enchufe polarizado. Una de sus paletas es más ancha que la otra. Para reducir el riesgo de descarga eléctrica, este enchufe está diseñado para adaptarse al tomacorriente polarizado de sólo una manera. Si el enchufe no encaja completamente en el tomacorriente, inviértalo. Si aún así no encaja, comuníquese con un electricista calificado. No modifique el enchufe de ninguna manera. Al dar servicio, use sólo partes de servicio idénticos. Contacto WAGNER para un cable de reemplazo.

Descripción General

La pistola de aire caliente es una herramienta eléctrica de calidad. Como cualquier herramienta eléctrica, puede ser peligrosa cuando no se usa correctamente. Lea las instrucciones siguientes con cuidado y siga todas las advertencias de seguridad. Será responsabilidad del usuario usar la pistola de aire caliente de manera apropiada. Solo debe ser usada por un adulto.

Especificaciones

Cubierta Polímeros resistentes a fuertes impactos, corrosión y altas temperaturas

Vatíaje 1500 vatios en alta, 150 vatios en baja

Salidad de calor... Aproximadamente 648°C (1200°F) en alta y 65°C (150°F) en baj.

Peso 0,7 kg (1,6 lb).

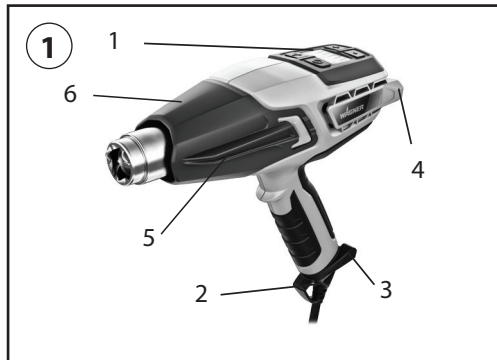


Para obtener más detalles sobre diferentes proyectos y vídeos con instrucciones, visite www.wagnerspraytech.com.

Para usar la pistola de aire caliente

Descripción de componentes (Fig. 1)

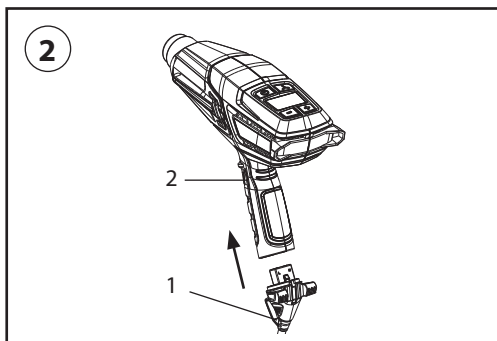
- 1) Pantalla gráfica LED y panel de control
- 2) Gancho para colgar
- 3) Cable con estabilizadores integrados (desmontable con herramienta)
- 4) Aletas estabilizadoras posteriores (pedestal)
- 5) Barras laterales para evitar el contacto de la boquilla con la superficie
- 6) Protección contra el calor



Conexión del cable de alimentación (Fig. 2)

El cable de alimentación (Fig. 2, 1) de la pistola de calor se entrega desconectado de la pistola (Fig. 2, 2).

Para conectarlo, alinee el cable con la ranura orientada hacia adelante, junto con el tomacorriente del mango de la pistola y presiónelos hasta que oiga un clic.



Operación con manos libres (Fig. 3)

La pistola de calor tiene una base integrada para aplicaciones en superficies de trabajo y en modo de enfriamiento.



Panel de control táctil

La pistola de calor le ofrece una amplia gama de temperaturas para escoger, según el tipo de proyecto. Estas se pueden controlar por medio del panel de control.

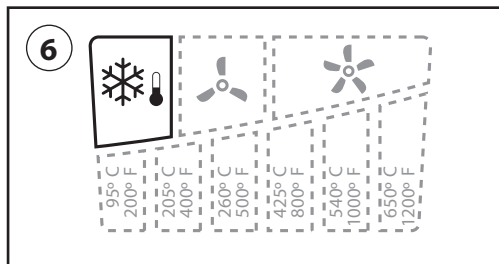
Descripción	4
<ol style="list-style-type: none"> 1) Botón de encendido: ENCIENDE o APAGA la pistola de calor o la cambia a modo de enfriamiento 2) Selector de modo: Ajusta el margen de temperatura y la velocidad del flujo de aire que está usando 3) Indicador de modo: Flujo de aire bajo o margen de temperatura bajo (ver Fig. 5, a) 4) Indicador de modo: Flujo de aire alto o margen de temperatura alto (ver Fig. 5, b) 5) Indicador de modo: Enfriamiento 6) Indicador de temperatura Muestra la configuración de salida de calor actual (ver Fig. 5) 7) Selector de temperatura: Aumenta la temperatura (+) 8) Selector de temperatura: Disminuye la temperatura (-) 	

Guía de temperatura LED

Descripción	5a
<p>Modo de flujo de aire: Bajo Margen de temperatura: 66 °C a 566 °C Temperaturas de ciclo: Ver Fig. 4, 7 y 8</p> <p>———— = Iluminado - - - - - = No iluminado</p>	
<p>Modo de flujo de aire: Alto Margen de temperatura: 93 °C a 649 °C Temperaturas de ciclo: Ver Fig. 4, 7 y 8</p> <p>———— = Iluminado - - - - - = No iluminado</p>	

Modo de enfriamiento (Fig. 6)

Mientras la pistola de calor se encuentra en operación, presione el botón de encendido una vez para ingresar al modo de enfriamiento. Una vez que se ingrese al modo de enfriamiento, la pistola se mantendrá por 30 segundos a su capacidad máxima de flujo de aire. Durante este período, las barras de temperatura se encenderán y se apagarán. Esto indica que la pistola se está enfriando. Para anular el modo de enfriamiento, mantenga presionado el botón de encendido de 2 a 3 segundos.



Arranque

1. Conecte la unidad a un tomacorriente estándar.
2. Para encender la pistola de calor, presione el botón encendido en el panel de control (Fig. 4, 1). Cuando la pistola está encendida, se fija automáticamente en el margen de temperatura baja (Fig. 5, a) en 150 °F (66 °C) y en una configuración de flujo de aire baja.
3. Si desea continuar trabajando dentro del margen de temperatura bajo, simplemente presione el botón más o menos en el panel táctil hasta que seleccione la temperatura deseada. La barra de temperatura se iluminará para indicarle la acción anterior.
4. Si desea operar dentro del margen de temperatura y flujo de aire alto, presione el botón selector de modo (Fig. 4, 2) una vez. La luz indicadora de margen de alta temperatura se encenderá. Ahora simplemente puede presionar el botón más o menos en el panel de control hasta que alcance la configuración de temperatura deseada. La barra de temperatura se iluminará para indicarle la acción anterior.

IMPORTANTE: Si el motor del ventilador de la pistola de calor no se enciende cuando se activa el botón de ENCENDIDO, APAGUE la pistola inmediatamente. El elemento de calentamiento se quemará si el ventilador no lo enfría.

5. Durante los períodos de descanso o cuando haya terminado su proyecto, presione el botón de encendido para ingresar al modo de enfriamiento. Se encenderá la luz indicadora azul de enfriamiento y la pistola seguirá funcionando con el elemento de calentamiento desactivado, para permitir el enfriamiento.
6. Coloque la pistola en posición vertical. La pistola de calor se apagará automáticamente luego de 30 segundos.

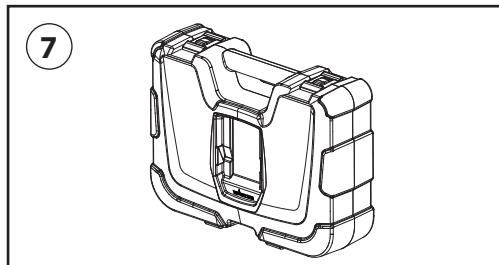


Es posible que el cuerpo de la pistola de calor siga caliente después del modo de enfriamiento.

Nota: Es posible que observe humo al usar la pistola por primera vez debido al calentamiento de los aceites usados durante la fabricación. El humo debería desaparecer en menos de un minuto.

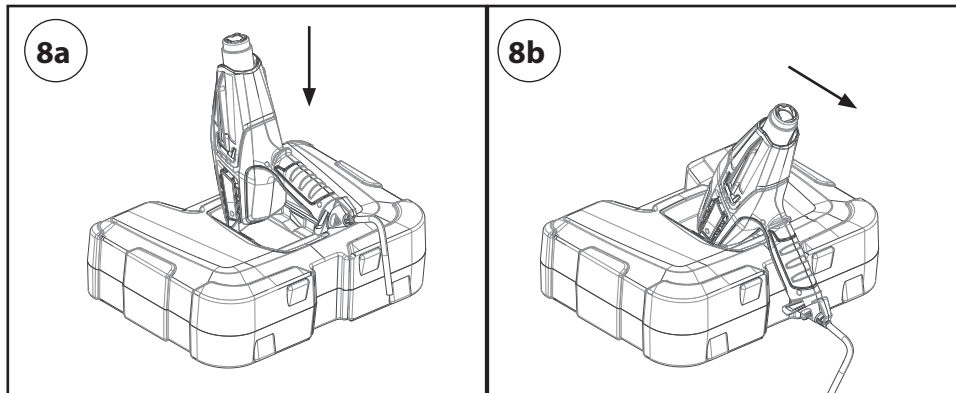
Maletín de transporte (opcional) (Fig. 7)

El maletín de transporte de la pistola de calor ha sido diseñado específicamente para asegurar la pistola en posición vertical para trabajos incluso en superficies dispares (ver AngleLoc a continuación).



AngleLoc™ (Fig. 8)

- A:** Inserte la parte trasera de la pistola de calor hasta que las aletas estabilizadoras posteriores se ubiquen bajo los rebordes en la cavidad lateral en la parte superior del maletín de transporte.
- B:** Luego deslice la pistola de calor hacia adelante, de manera que se ajuste de forma natural en esa posición en un ángulo de 135°. Ahora la pistola de calor debería estar asegurada para usarla en forma vertical.



Nota: Enderece la pistola térmica cada vez que la apague, ya sea por un corto período o para almacenarla. Evite acostarla después de haberla apagado ya que la unidad permanecerá caliente y tardará más enfriarse. Almacene la unidad sólo después de que se haya enfriado la tobera y desenchúfela antes de almacenarla para evitar que se encienda accidentalmente.

Muchas variables afectan las aplicaciones de calor, tales como: el material que se está calentando, la temperatura ambiente, la distancia que existe entre la pistola y el sustrato y la técnica de calentamiento. Por este motivo, Wagner le entrega guías de temperatura para ciertas aplicaciones. Siempre encienda la pistola de calor en el rango mínimo de temperatura y luego ajústela hasta que alcance la temperatura óptima para su trabajo. Siempre mantenga la pistola de calor en movimiento y al menos a 5 centímetros del sustrato cuando aplique calor.

Para obtener más detalles sobre diferentes proyectos y vídeos con instrucciones, visite www.wagnerspraytech.com.

IMPORTANTE: Proteja siempre los vidrios cuando trabaje cerca de las ventanas.



No toque la boquilla de la pistola o cualquier herramienta metálica que se exponga al aire caliente cuando use la pistola. Estas se ponen extremadamente calientes y ocasionarán quemaduras severas. Use guantes de cuero para proteger sus manos.

Instrucciones de calentamiento

La pistola de calor es una de las herramientas más versátiles que puede tener. Se puede usar en una amplia variedad de proyectos, desde grandes proyectos "hágalo usted mismo" hasta pequeños trabajos de arte y artesanías.

Low = BAJO

Medium = MEDIO

High = ALTO

Uso	Ajuste de calor	Opciones de punta de boquilla	
"Hágalo usted mismo"	Decapar pintura	ALTO	Boquilla concentradora o ancha
	Reparar paredes	BAJO/MEDIO	Abierta (sin boquilla)
	Secar pintura	BAJO/MEDIO	Abierta (sin boquilla)
	Ablandar adhesivos para quitar baldosas	BAJO/MEDIO	Boquilla ancha
	Doblar plástico, plexiglás, formica	BAJO/ALTO	Boquilla abierta / concentradora
	Quitar formica y linóleo	BAJO/MEDIO	Boquilla ancha
	Ablandar pintura, calafateo y masillas para quitarlas fácilmente (use protección contra el calor)	ALTO	Boquilla concentradora o ancha
Envolver con plástico o hacer impermeable	BAJO/MEDIO	Boquilla ancha	
Trabajos pequeños (también reparaciones)	Tuercas sueltas oxidadas, pernos y acoples.	ALTO	Boquilla abierta / concentradora
	Quitar adhesivos	BAJO/MEDIO	Abierta (sin boquilla)
	Encerar esquís o tablas de snowboard	BAJO/MEDIO	Boquilla ancha
	Trabajos con fibra de vidrio	MEDIO/ALTO	Boquilla concentradora o ancha
	Descongelar tuberías	BAJO	Deflector curvo
	Encender una parrilla	ALTO	Boquilla concentradora/boquilla de parrilla
	Calentar hormigón antes de reparar	BAJO/ALTO	Boquilla concentradora
Descongelar un refrigerador o congelador	BAJO/MEDIO	Abierta (sin boquilla)	
Artes y artesanías	Hacer velas	BAJO	Abierta (sin boquilla)
	Hacer jabón	BAJO	Abierta (sin boquilla)
	Envolver regalos por contracción	BAJO	Abierta (sin boquilla)
	Hacer espuma	BAJO	Abierta (sin boquilla)
	Decorar galletas	BAJO/ALTO	Abierta (sin boquilla)

Automotriz	Quitar pegatinas, insignias y calcomanías	BAJO/MEDIO	Abierta (sin boquilla)
	Quitar abolladuras	MEDIO/ALTO	Abierta (sin boquilla)
	Quitar pintura	ALTO	Boquilla concentradora o ancha
	Aplicar o quitar tintes de ventanas	BAJO/MEDIO	Abierta (sin boquilla)
	Reparar parachoques	MEDIO/ALTO	Abierta (sin boquilla)
Aparatos electrónicos	Reparar teléfonos inteligentes y tabletas	BAJO	Boquilla concentradora
	Reparar PlayStation y Xbox	BAJO	Boquilla concentradora

*Algunas puntas de boquillas no se incluyen con su pistola de calor. Consulte la sección Accesorios en la página 38.

IMPORTANTE: Si el motor impelente de la pistola no enciende al colocar el conmutador en la posición LOW (bajo), MEDIUM (medio) o HIGH (alto), apague de inmediato el conmutador. El elemento calefactor se quemará si no recibe aire del ventilador.

Para raspar pintura

IMPORTANTE: Lea las secciones de operación general y de información de seguridad de este manual del propietario antes de usar la pistola de aire caliente.

La pistola de aire caliente calienta la superficie y hace que la pintura se reblandezca, en cuyo momento fácilmente se le puede quitar raspando. Algunas de estas pinturas pueden reblandecerse aunque no se formen ampollas en ellas; algunas otras pueden volverse elásticas y otras más podrían requerir un calor más elevado.

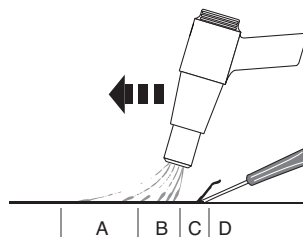
Cuando se trabaja con varias capas de pintura, el proceso de raspado se acelerará calentando la superficie completamente, hasta llegar a la madera. En seguida, todas las capas se pueden raspar a la vez.

La mejor herramienta que puede usarse en las superficies intrincadas es un cepillo de alambre suave. Las pinturas y acabados minerales, como son la pintura de cemento y la porcelana, no se reblandecen con el calor, de manera que el usar una herramienta de calentamiento no servirá para quitar la pintura.

El mejor método para quitar la pintura

Mueva la pistola lentamente y con firmeza hacia adelante, en ángulo recto con la superficie, dirigiendo la punta de la boquilla en la dirección del movimiento. Esto le permite raspar con seguridad, fuera de la corriente de aire caliente, además de que mantiene tanto al raspador como a la superficie raspada más fríos.

- A. El aire caliente calienta previamente la superficie.
- B. La pintura se reblandece por medio de aire caliente.
- A+B. Una penetración profunda del calor sobre toda el área.
- C. La pintura se puede quitar raspando fácilmente tan pronto como se reblandezca y la pistola se mueva hacia adelante.
- D. La superficie raspada se deja enfriar.



Nota: No utilice la pistola térmica sobre superficies que se puedan dañar con el calor, como paneles revestidos con vinilo, chapas de paredes y marcos de ventanas. Cuando se elimina la pintura de los marcos de ventanas, la masilla se reblandece. Trate de no arrancar la masilla con el raspador, ésta se volverá a endurecer cuando se haya enfriado.

No utilice la pistola térmica sobre láminas de vidrio aislante, como el Thermopane. La expansión de los cantos del vidrio podría romper el sello de éstos.

Cuando raspe impostas, no sobrecaliente los bordes de los tejamaniles de asfalto que sobresalgan por encima del revestimiento exterior. Demasiado calor derretirá el asfalto.

IMPORTANTE: Quitar la pintura con una pistola de aire caliente será un proceso seguro si se siguen las directrices anteriores, pero mantenga siempre tanto un recipiente con agua como un extintor de incendios de clasificación ABC (adecuada contra incendios tipo A, B y C) al alcance.

Limpeza y mantenimiento

Mantenga la toma de aire de la cubierta limpia y libre de obstrucciones. Use un cepillo suave y seco para limpiar regularmente las tomas. Use solamente un trapo húmedo para limpiar la pistola de aire caliente. Muchos detergentes domésticos tienen sustancias químicas que podrían causar serios daños a la cubierta.

No utilice gasolina, trementina, lacas o disolventes de pintura, sustancias químicas para la limpieza de ropa o productos similares para limpiar la pistola térmica. Jamás permita que penetren líquidos en la herramienta ni sumerja parte alguna de esta en algún líquido.

Almacenamiento







Mantenga este manual junto a la pistola de aire caliente.

Deje que la boquilla de la pistola de aire se enfríe a la temperatura ambiente antes de dejarla almacenada.

La boquilla se oscurecerá con el tiempo a causa del elevado calor. Esto es normal y no afectará el funcionamiento ni la duración de la unidad.

Accesorios

Los accesorios siguientes pueden venir con el pistola de aire caliente o pueden ser comprados separadamente llamando al 1-800-727-4023.

<p>Boquilla concentradora P/N 2366222</p> 	<p>Dirige un flujo concentrado de calor a la superficie de trabajo. Ideal para quitar pintura en lugares de difícil acceso, grietas, molduras o arquitrabes.</p>	<p>Protector de vidrio P/N 2366224</p> 	<p>Protege el vidrio u otras superficies frágiles contra el calor. Ideal para soleras de ventanas, marcos y rodapiés.</p>
<p>Flare P/N 2366223</p> 	<p>Dirige un flujo de calor angosto y concentrado a la superficie de trabajo. Ideal para quitar pintura o barniz desde superficies grandes y planas, tales como rodapiés, puertas, escaleras, etc. Se recomienda su uso en conjunto con una espátula.</p>	<p>Deflector curvo P/N 2366225</p> 	<p>Dispersa el calor de forma pareja en toda la superficie de trabajo. Ideal para descongelar tuberías congeladas, soldaduras de tuberías, para doblar plásticos o termocontraer cableados eléctricos aislados.</p>
<p>Herramienta de raspado 5 en 1 P/N 2366227</p> 	<p>La hoja (1) se usa para raspar pintura y esparcir compuestos. La parte (2) tiene una gubia que se usa para quitar masillas o calafateos; y la parte curva (3) se usa para limpiar cubiertas de rodillos. El lado plano (4) también puede se puede usar para abrir tarros de pintura.</p>		
<p>Maletín P/N 2366226</p> 	<p>El maletín de transporte de la pistola de calor ha sido diseñado específicamente para ubicar la pistola en posición vertical para trabajos incluso en superficies disperejas (ver AngleLoc abajo).</p>		

IMPORTANTE: Use siempre guantes cuando utilice la pistola térmica

Para colocar una boquilla en la pistola:

1. Enderece la pistola y colóquela sobre una superficie horizontal hasta que se enfríe la punta.
2. Coloque la pieza en la punta de la pistola y empújela firmemente con la mano hasta que calce en posición.

Para retirar una boquilla:

1. Enderece la pistola y colóquela sobre una superficie horizontal hasta que se enfríe la punta.
2. Tire de la pieza para retirarla.

Registro del producto

Regístrelo del producto en línea en www.wagnerspraytech.com.

Garantía Limitada de Wagner - Conservese en sus archivos

Wagner Spray Tech Corporation (Wagner), fabricante del producto, garantiza al comprador original que el producto no posee defectos materiales ni de mano de obra, por tres años después de la fecha de compra, si se usa de acuerdo con las recomendaciones e instrucciones impresas de Wagner. Esta garantía no cubre ningún defecto o daño causado por servicios o reparaciones realizadas por personal no autorizado, desgaste normal, falta de mantenimiento o accidentes.

CUALQUIER GARANTIA IMPLICITA DE COMERCIALIZACION O IDONEIDAD PARA CUALQUIER PROPOSITO EN PARTICULAR QUEDA LIMITADA A TRES AÑOS A PARTIR DE LA FECHA DE COMPRA. WAGNER NO SERA RESPONSABLE EN NINGUN CASO POR DAÑOS INCIDENTALES O CONSECUENCIALES DE CUALQUIER TIPO, YA SEAN POR INCUMPLIMIENTO DE LA GARANTIA O POR CUALQUIER OTRA RAZON. ESTA GARANTIA NO SE EXTIENDE A LOS ACCESORIOS.

ESTE PRODUCTO HA SIDO DISEÑADO EXCLUSIVAMENTE PARA USOS DOMESTICOS. SI SE USA CON MOTIVOS COMERCIALES O PARA ALQUILER, LA GARANTIA TENDRA UNA DURACION DE 30 DIAS A PARTIR DE LA FECHA DE COMPRA.

Si cualquier producto presenta defectos de materiales o de mano de obra durante el período de garantía, devuélvalo junto con la factura de compra y transporte prepagado a Wagner Spray Tech, 1770 Fernbrook Lane, Minneapolis, MN 55447. Wagner reparará o reemplazará el producto (a la opción de Wagner) y lo regresará a usted mediante flete prepagado.

ALGUNOS ESTADOS NO PERMITEN LIMITACIONES EN LA DURACION DE UNA GARANTIA IMPLICITA O EN LA EXCLUSION DE GARANTIAS INCIDENTALES O CONSECUENCIALES, ASI QUE LAS LIMITACIONES Y EXCLUSIONES INDICADAS ANTERIORMENTE PUEDEN NO APLICAR A USTED.

ESTA GARANTIA LE OTORGA A USTED DERECHOS LEGALES ESPECIFICOS. USTED PUEDE TENER OTROS DERECHOS, LOS CUALES VARIAN DE UN ESTADO A OTRO.

¿Necesita ayuda?

Llame Wagner Technical Service al:

1-800-727-4023

Regístrelo del producto en línea en:

www.wagnerspraytech.com