

# Pro Series

## 2x8ft Wall Mounted Shelf

---



### **Warning: Excessive weight hazard!**

Use two or more people to move, assemble, or install Wall Mounted Shelf to avoid back or other injury. Do not leave children unattended near Wall Mounted Shelf. High risk of items falling if Wall Mounted Shelf is installed incorrectly: must be securely installed to avoid serious injury. For assistance, call 1.877.306.8930; e-mail at [info@newageproducts.com](mailto:info@newageproducts.com).



### **ATTENTION:**

Is your Wall Mounted Shelf damaged?  
Need help or spare parts?  
For fastest service, contact NewAge Products at 1-877-306-8930; or [support@newageproducts.com](mailto:support@newageproducts.com).  
Do not return to the retailer.

# INDEX

## **Product Overview:**

[Safety Warning - 3](#)

[Tools Needed - 5](#)

[Included Quantities - 6](#)

[Spare Parts - 7](#)

[Weight Capacity - 8](#)

[Installation Overview - 9](#)

## **Installation Overview:**

[Installation Options - 10](#)

**[Wall Configuration: Installation Location - 11](#)**

**[Ceiling Configuration: Installation Location - 12](#)**

[Installing Wall Brackets & Back Beam - 13, 14](#)

**[Wall Configuration: Installing Pad Eye Plate - 15](#)**

[Perimeter Beam & Cable Assembly-16](#)

**[Ceiling Configuration: Installing Pad Eye Plate - 17](#)**

[Perimeter Beam & Cable Assembly - 18](#)

[Cable Assembly - 19](#)

[Cross Support Assembly - 21](#)

[Grid Supports & Wire Grids - 21, 22](#)

## **Installation Tips**

[Irregular Joist Spacing - 23](#)

[Fastening to Engineered Joists - 25](#)

[Connecting Wall Mounted Shelf Horizontally - 26](#)

[Connecting Wall Mounted Shelf Vertically - 27](#)

[Connecting Corner Wall Mounted Shelf - 28,29](#)

# **SAFETY WARNING**

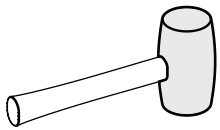
## **PLEASE READ THIS FIRST**

1. All Wall Mounted Shelf units have a rated load capacity of 600 pounds, evenly distributed, using 3" lag bolts anchored into solid wood studs or 3" concrete anchors into solid concrete supports capable of supporting such a load.
2. Each Wall Mounted Shelf utility hook can hold a maximum of 50lbs. Weight of utility hook storage must be included in the maximum load of 600lbs for the overhead rack.
3. Do not load more than 600lbs onto a Wall Mounted Shelf. Live loads (people, pets, etc.) may weigh less than the rated weight capacity, however will exert force on the rack beyond it's rated capacity. As such, do not stand, jump or hang from your Wall Mounted Shelf.
4. Wall Mounted Shelf units must be installed into structurally sound overhead/wall joists or supports. NewAge Products Inc. make no claim to the capacity or strength of the structure to which the units are mounted.
5. NewAge Products Inc. cannot be held liable for structure failure, or damage or injury resulting from structural failure.
6. Always inspect the structure of the ceiling and wall to ensure there are suitable supports.
7. The Wall Mounted Shelf is designed for installation into wooden joists/studs and solid concrete. Do not attempt mounting to steel beams.
8. Ensure all weight is distributed evenly on the rack. Place heavier objects near the perimeter frame and cross supports with lighter objects in the center.
9. Do not jump or climb on your Wall Mounted Shelf.
10. Do not lean a ladder against the Wall Mounted Shelf.
11. Routinely inspect your system to ensure all components are fastened correctly

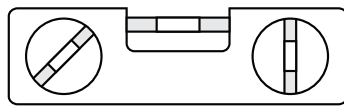
# Unpacking

- Begin by placing the package on a covered flat surface.
- Remove all cardboard, packaging material and clear plastic bags.
- Dispose / recycle all packaging materials.
- Verify all the contents in the box and gather the required tools. See "Tools Needed", and "Included Quantities" list.

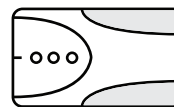
## Tools Needed



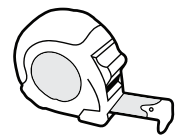
Rubber Mallet



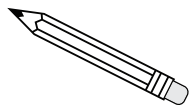
Magnetic Leveler



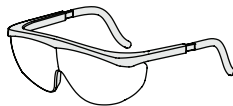
Stud Finder



Tape Measure



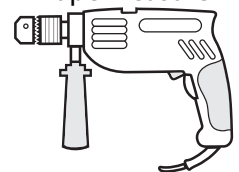
Pencil



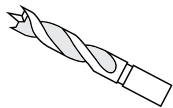
Safety Glasses



7/16" & 1/2"  
socket



**1 x Hammer Drill**



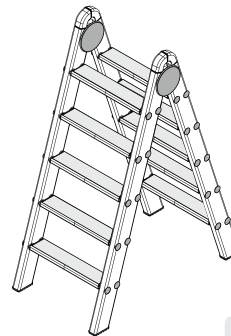
3/16" Drill Bit



7/16" & 1/2"  
Socket Wrench



Cordless Power Drill



Ladder



**1 x Masonry Bit**

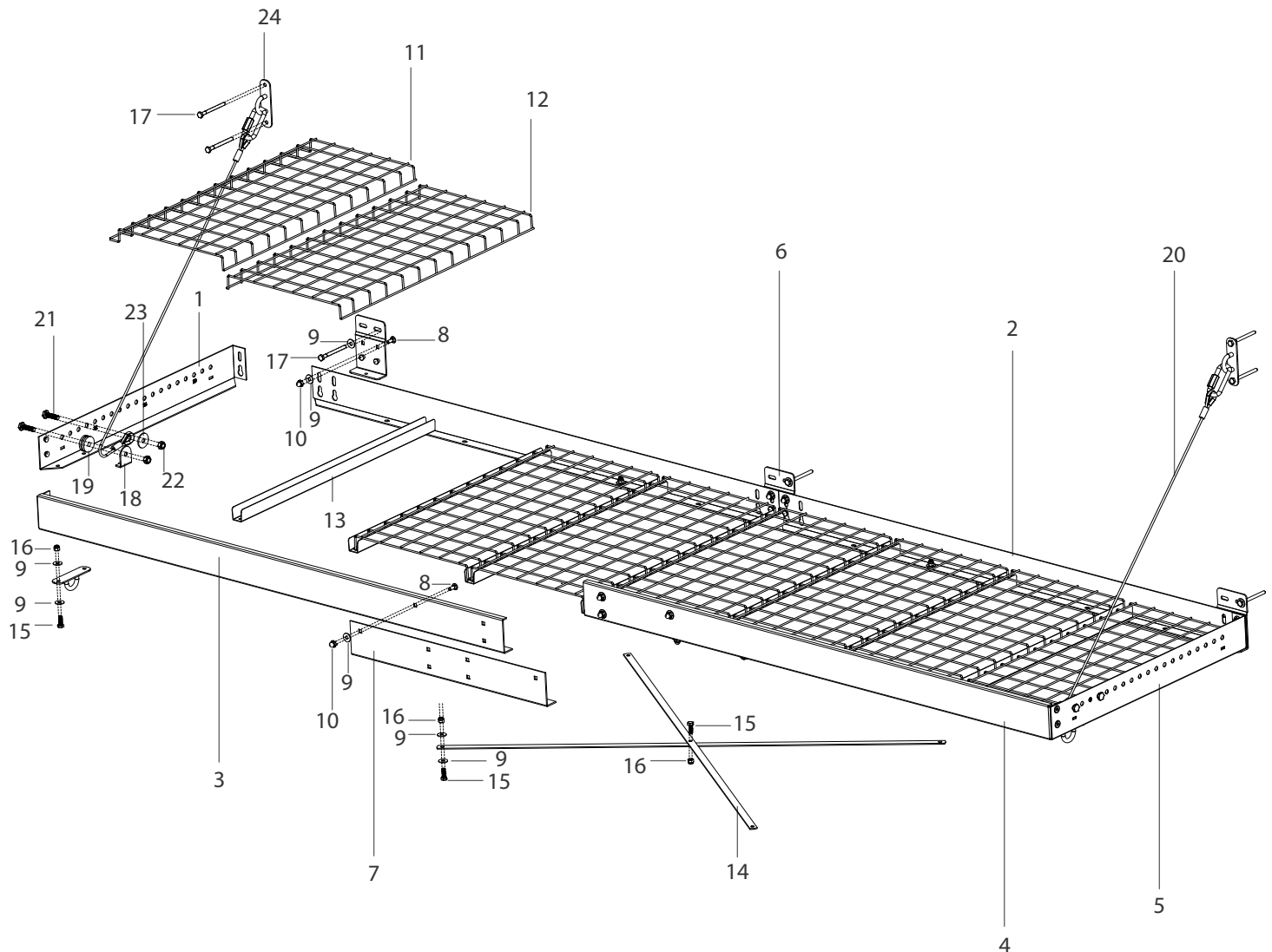
**[optional for masonry]**

# Included Quantities

## 2x8ft Pro Series Wall Mounted Shelf

Part Number		DESCRIPTION	QTY.
WSH-02A-01-XX		2x8ft Pro Series Wall Mounted Shelf	
WSH-02.001A-01-XX	1	2ft Side Beam - LHS	1
WSH-01.005A-01-XX	2	Back Beam	2
WSH-01.002A-01-XX	3	Front 'c' channel - LHS	1
WSH-01.001A-01-XX	4	Front 'c' channel - RHS	1
WSH-02.002A-01-XX	5	2ft Side Beam - RHS	1
WSH-01.006A-01-XX	6	Back Hanging Bracket	3
WSH-01.007A-01-XX	7	Front L Joining Bracket	1
H00001A-01	8	1/4-20x0.625in Carriage Bolt	12
H00002A-01	9	1/4in Flat Washer	31
H00003A-01	10	1/4-20 Acorn Nut	12
WSH-02.003A-01-XX	11	2ft Finishing Grid Section	2
WSH-02.004A-01-XX	12	2ft Middle Grid Section	6
WSH-02.005A-01-XX	13	2ft 'U' Shaped Grid Supports	7
WSH-02.006A-01-XX	14	2ft Cross Support	2
H00004A-01	15	1/4-20x0.75in Hex Bolt	9
H00005A-01	16	1/4-20 Lock Nut	9

Part Number		DESCRIPTION	QTY.
H00009A-01	17	1/4 x 3in Lag Screw	7
WSH-01.012A-01-XX	18	Pulley Cable Cap	2
WSH-01.013A-01	19	Pulley	2
WSH-02.007A-01	20	2ft Wire Cable Assembly	2
WSH-02.007.01A-01		2ft Wire Cable	2
WSH-01.014.02A-01		Aluminium Sleeve	4
WSH-01.014.07A-01		Quick Link Connector	2
WSH-01.014.08A-01		Quick Link Connector - Closing/ Opening Cylinder	2
WSH-01.014.03A-01		Capel	4
H00006A-01	21	5/16-18x1.25in Hex Bolt	4
H00007A-01	22	5/16-18 Lock Nut	4
H00008A-01	23	5/16in Flat Washer	2
WSH-01.015A-01	24	Pad Eye Plate	2
H00010A-01	25	Concrete Anchors	7

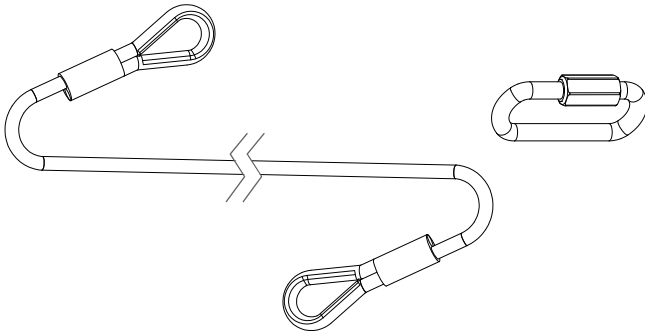


# Spare Parts

**SKU 40481**

**Part # : WSH-02.007A-01**

## Cable Assembly

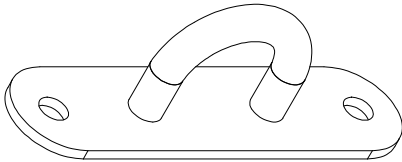


- 2ft Cable Assembly  
4mm cable  
Aluminium Sleeve  
Capel
- Quick Link Connector

**SKU 40482**

**Part # : WSH-01.015A-01**

## Pad Eye Plates

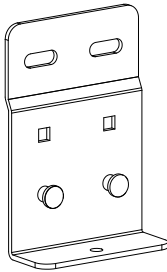


**SKU 40484**

**Part # : WSH-01.006A-01-BS**  
**Black - Back Hanging Brackets**

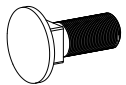
**SKU 40485**

**Part # : WSH-01.006A-01-WH**  
**White- Back Hanging Brackets**

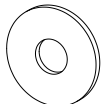


**SKU 40483**

## Hardware Box



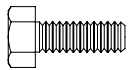
Carriage Bolt  
(1/4" dia x 3/4")



Flat Washer  
(1/4")



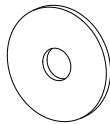
Acorn Nut  
(1/4")



Hex Bolt  
(5/16" dia x 1.25")  
(1/4" dia x 0.75")



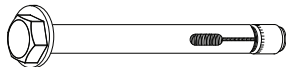
Lock Nut  
(5/16")  
(1/4")



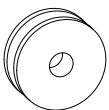
Flat Washer  
(5/16")



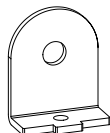
Lag Screw (1/4" dia x 3")



Concrete Anchor  
(M6 x 3")



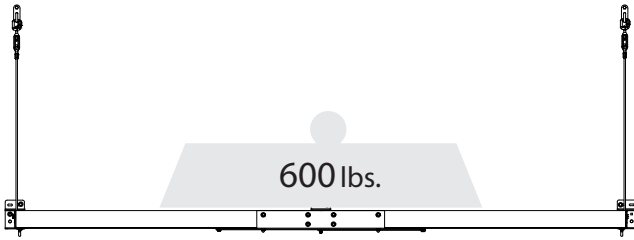
Pulley



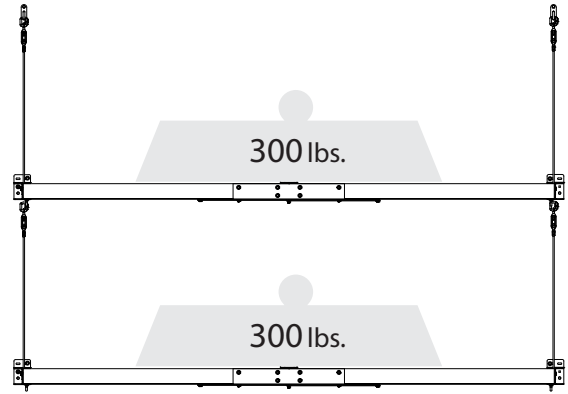
Pulley Cable Cap

- 1/4-20 x 0.625in Carriage Bolt
- 1/4in Flat Washer
- 1/4-20 Acorn Nut
- 1/4-20 x 0.75in Hex Bolt
- 1/4-20 Lock Nut
- 5/16-18x1.25in Hex Bolt
- 5/16-18 Lock Nut
- 5/16in Flat Washer
- 1/4 x3in Lag Screw
- Concrete Anchors
- Pulley
- Pulley Cable Cap

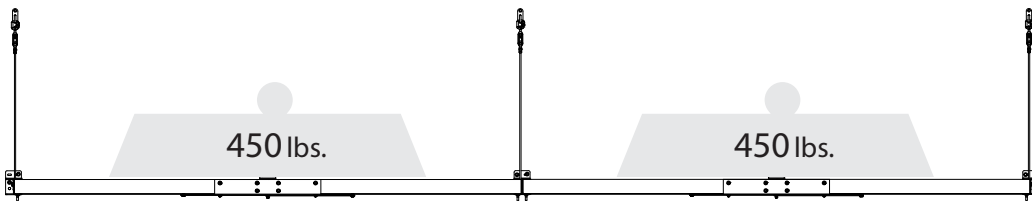
# Weight Capacity



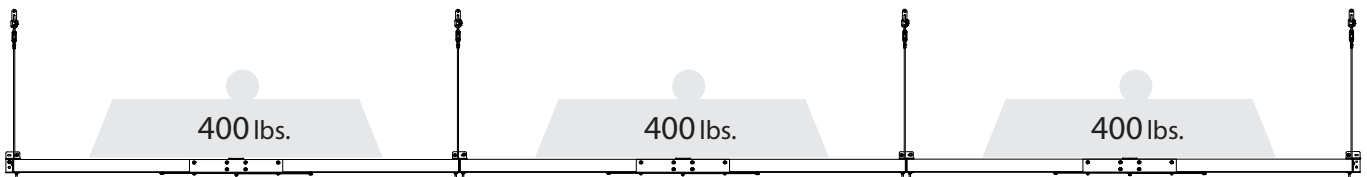
Single Wall Mounted Shelf



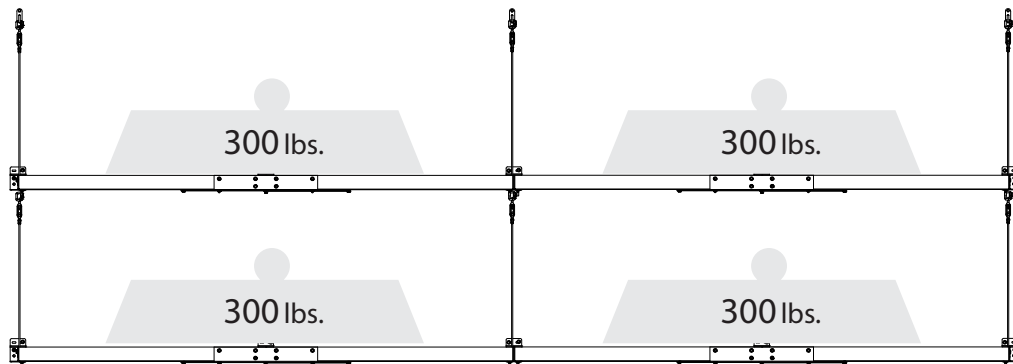
Two Linked Wall Mounted Shelves Installed Vertically



Two Linked Wall Mounted Shelves Installed Horizontally



Three Linked Wall Mounted Shelves Installed Horizontally



Four Linked Wall Mounted Shelves Installed Vertically & Horizontally

**Safety Warning:** All Wall Mounted Shelf units have a rated load capacity of 600 pounds, evenly distributed, using 3" Lag Screws anchored into solid wood studs or concrete supports capable of supporting such a load.

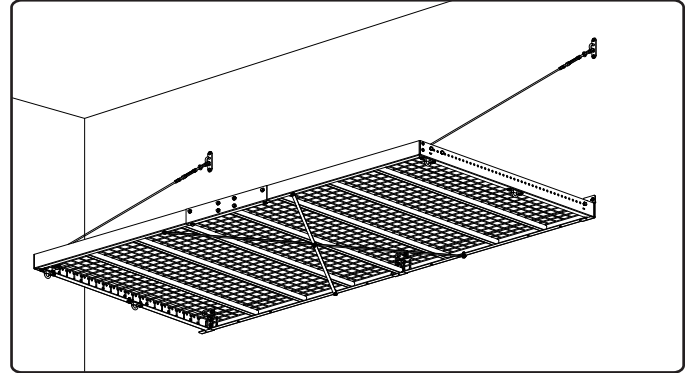
Ensure all weight is distributed evenly on the rack. Place heavier objects near the perimeter frame and cross supports with lighter objects in the center.

# Wall Mounted Shelf Installation Overview

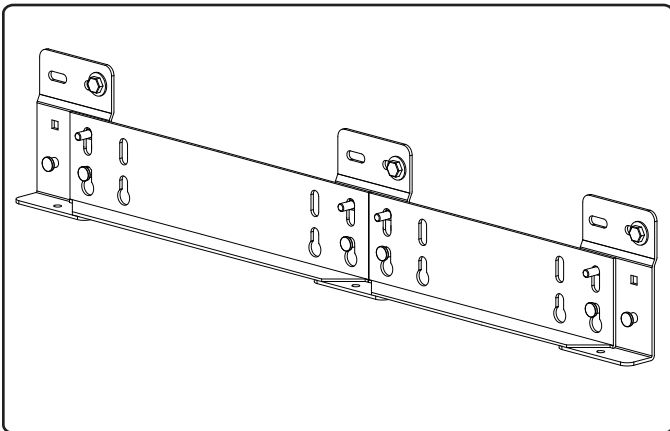
**1** Determine your preferred configuration before beginning assembly. (Page 10)

- Wall brackets must be fully secured to studs using 1 lag bolt each or to concrete wall using 1 concrete anchor.
- **Read through the entire instruction manual first before beginning installation.**

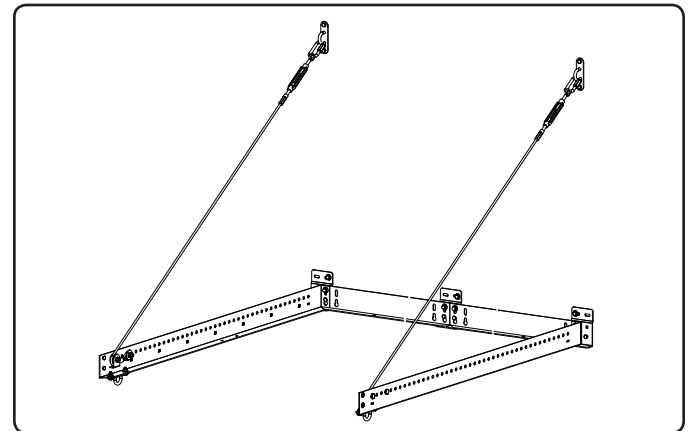
**2** Plan your Wall Mounted Shelf installation location, determine orientation and verify spacing of studs. (Page 11-12)



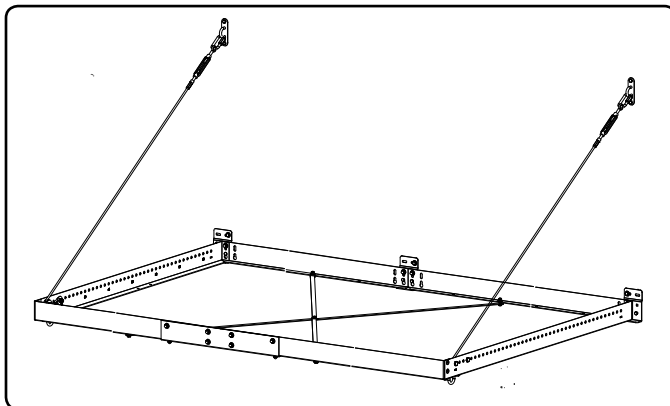
**3** Install wall brackets & back perimeter beams onto the wall at a determined height. (Page 13-14)



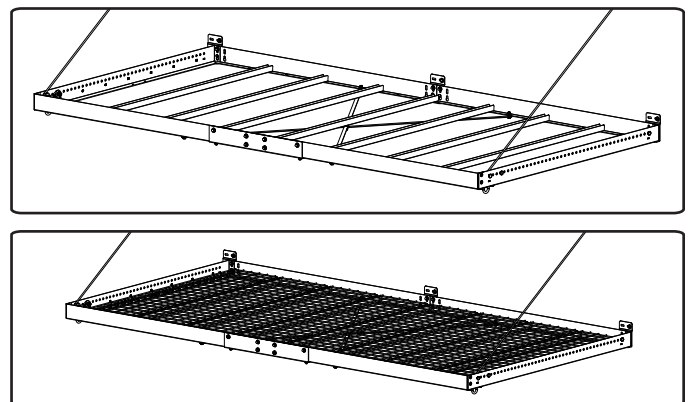
**4** Install the Pad Eye Plate and Side Beams with Cable Assemblies. (Page 15-19)



**5** Install the front perimeter beams and angled cross supports. (Page 20-21)



**6** Place the grid supports followed by the steel grids to complete the Wall Mounted Shelf installation. (Page 21-22)



## Note:

If installing the Wall Mounted Shelf cables to the wall, start on page 11. If installing the Wall Mounted Shelf cables to the ceiling, start on page 12.



# Installation options for Wall Mounted Shelf

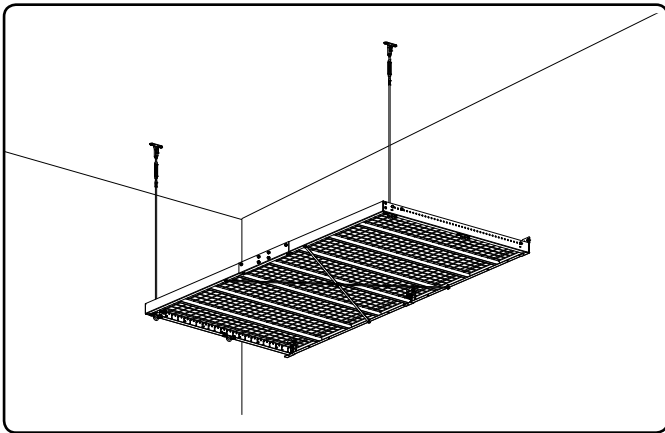
**i** **Important information:** Please read entire manual before beginning installation.

- Layouts shown are examples only.
- Do not exceed total weight capacity of Wall Mounted Shelf.
- Plan layout and measure space for clearance and stud spacing before installing.
- Ensure wall mounted shelf is securely installed to suitable structure.

## **Option B.**

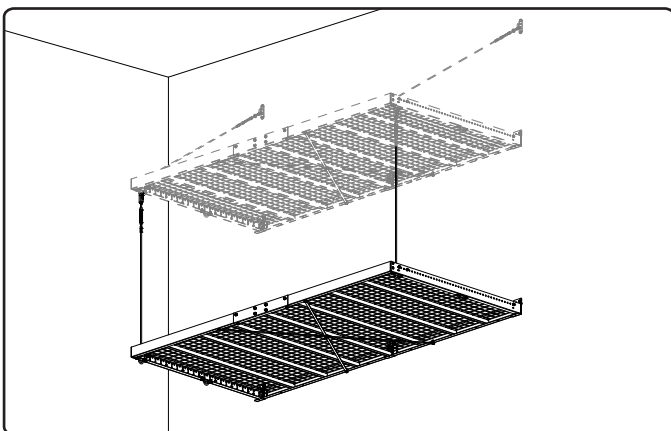
Single Wall Mounted Shelf attached to ceiling. Distance from Ceiling is adjustable from 18in to 33in.

(Start on page 12, Option B)



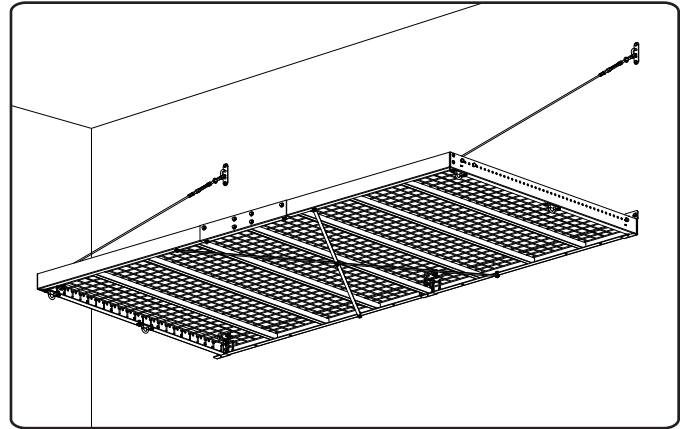
## **Option D.**

Connecting Wall Mounted Shelves Vertically (Page 27)



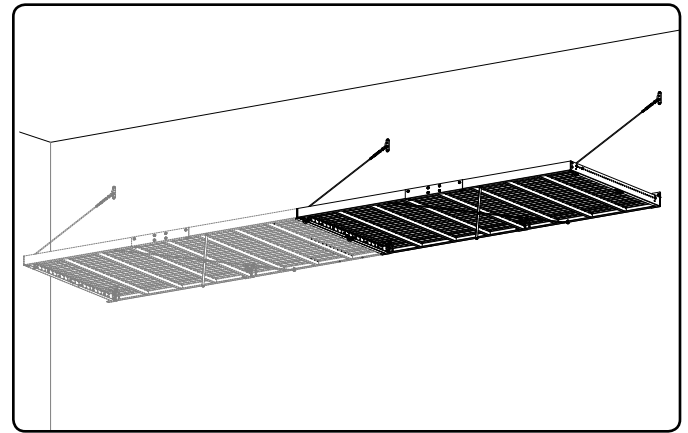
## **Option A.**

Single Wall Mounted Shelf attached to wall. (Start on page 11, Option A)



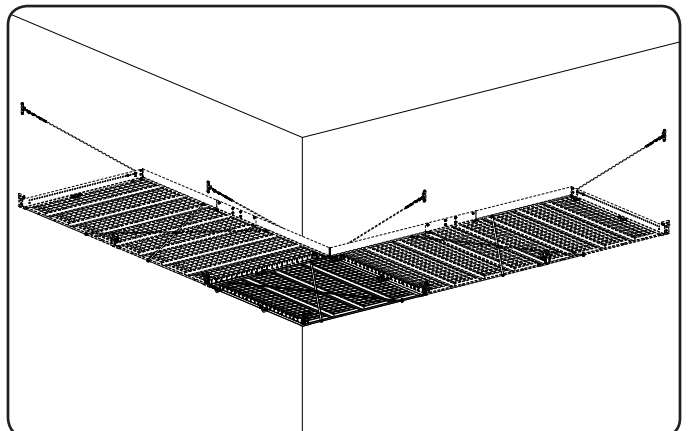
## **Option C.**

Connecting Wall Mounted Shelves Horizontally. (Page 26)



## **Option E.**

Corner Wall Mounted Shelf (Page 28)



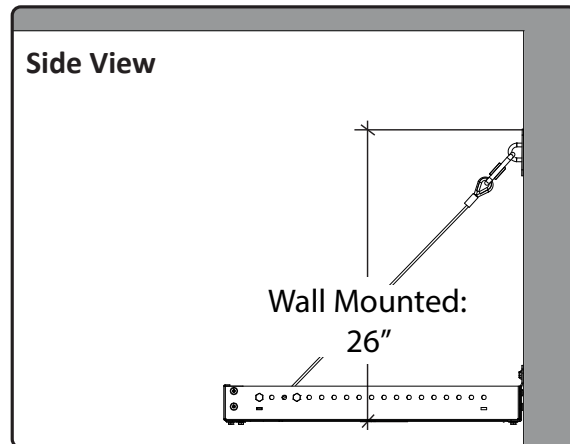
# Plan the Installation Location

## Option A: Installing Wall Mounted Shelf To the Wall

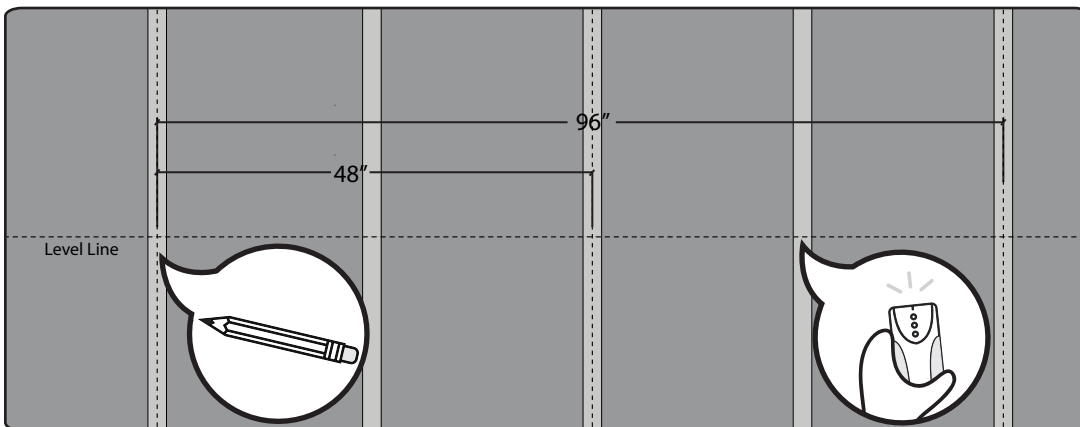
- 1A** Once it is determined that your Wall Mounted Shelf will be installed to the wall, verify there is sufficient clearance. Mark the desired position of the bottom of the Wall Mounted Shelf with a horizontal level line across the wall.

**Note:**

- Wall mounted configurations require greater than 26" between the ceiling and the bottom of the Wall Mounted Shelf.

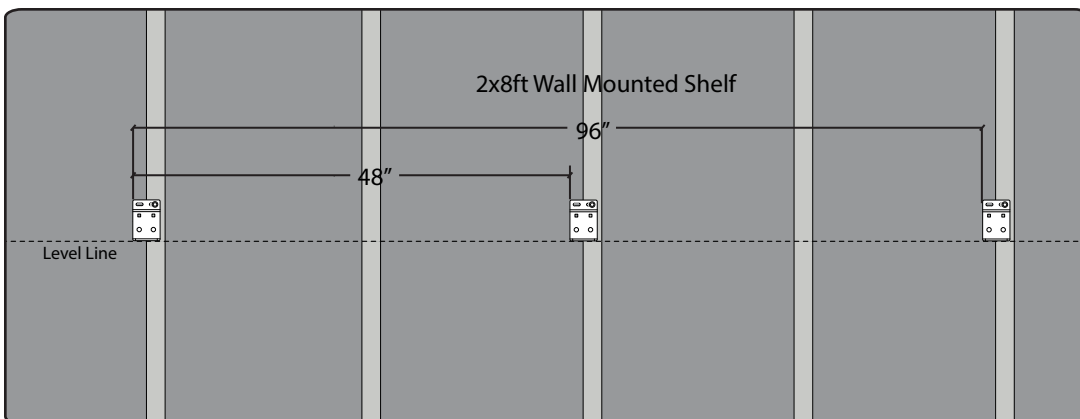


- 2A** Using a stud finder, locate and mark the center position of the studs on the wall. Check the spacing of your wall studs and ensure they fit the size of your install.



**Note:**

If the spacing of your studs do not align with the install locations, please refer to installing a Wall Brace on page 25



**Note:**

Outer Wall Mounting Brackets should be placed 96in apart center to center.

Inner Wall Mounting Brackets should be placed 48in apart center to center.

**Note:**

Skip to page 13 to continue wall Installation.

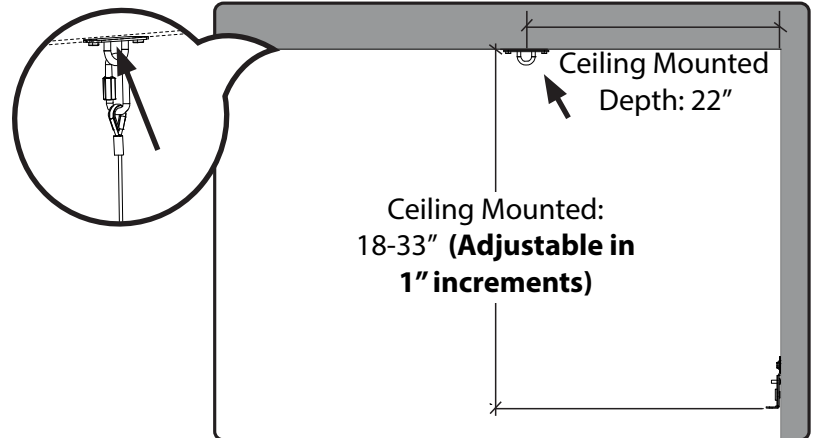
# Plan Installation Location

## Option B: Installing Wall Mounted Shelf To the Ceiling

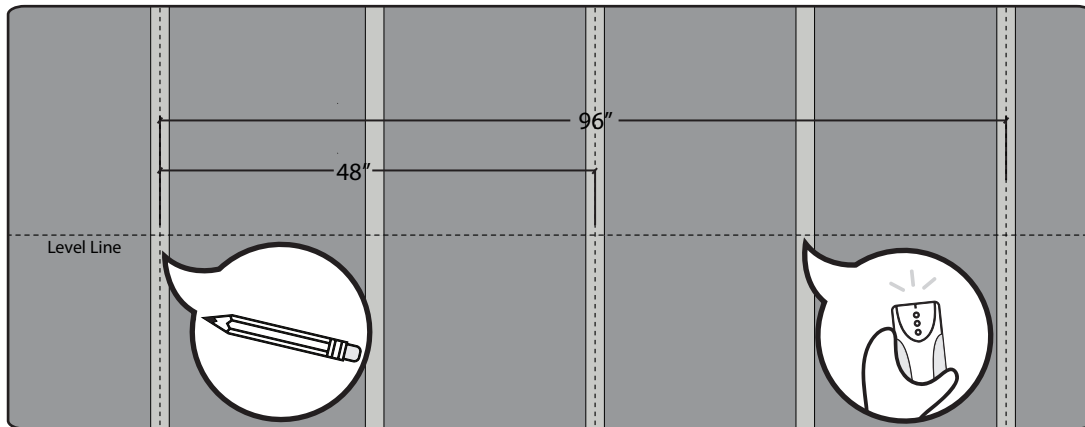
**1B** Once it is determined that your Wall Mounted Shelf will be installed to the ceiling, verify there is sufficient clearance. Mark the desired position of the bottom of the Wall Mounted Shelf with a horizontal level line across the wall.

**Note:**

- Ceiling mounted configurations can range from 18-33" (**Adjustable in 1" Increments**)
- The center of the Pad Eye plates mounted to the ceiling should be 22" from the back wall.



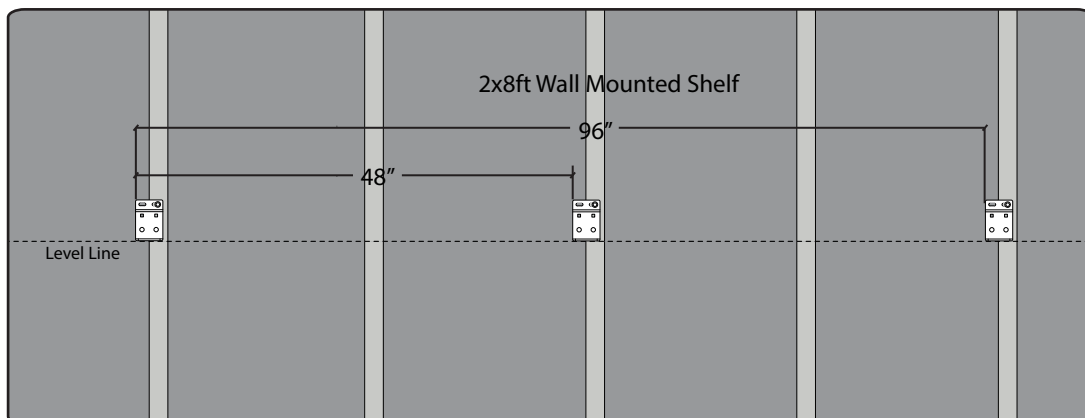
**2B** Using a stud finder, locate and mark the studs on the wall. Check the spacing of your ceiling joists and ensure they fit the size of your install.



**Note:**

If the construction of your ceiling is using engineered joists, please refer to "Fastening to Engineered Joists" on page 25.

If the spacing of your studs do not align with the install locations, please refer to installing a Wall Brace on page 25



**Note:**

Outer Wall Mounting Brackets should be placed 96in apart center to center.

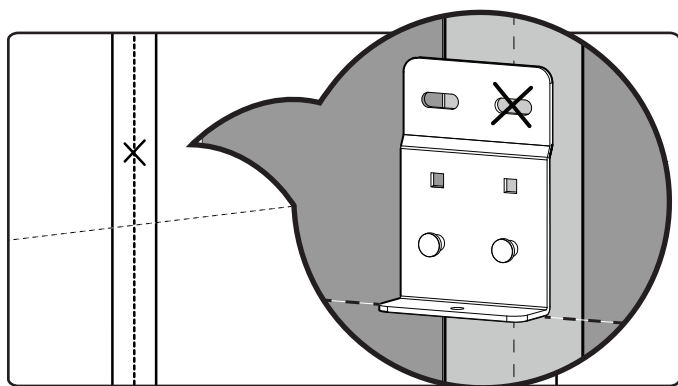
Inner Wall Mounting Brackets should be placed 48in apart center to center.

**Note:**

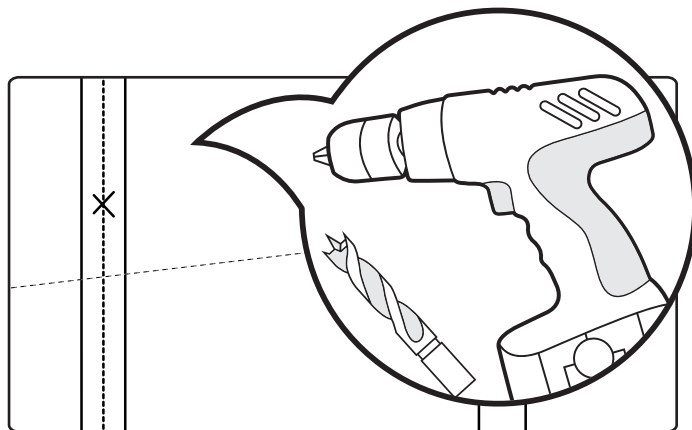
Continue to page 13 for remaining ceiling installation.

# Installing Wall Brackets & Back Beam

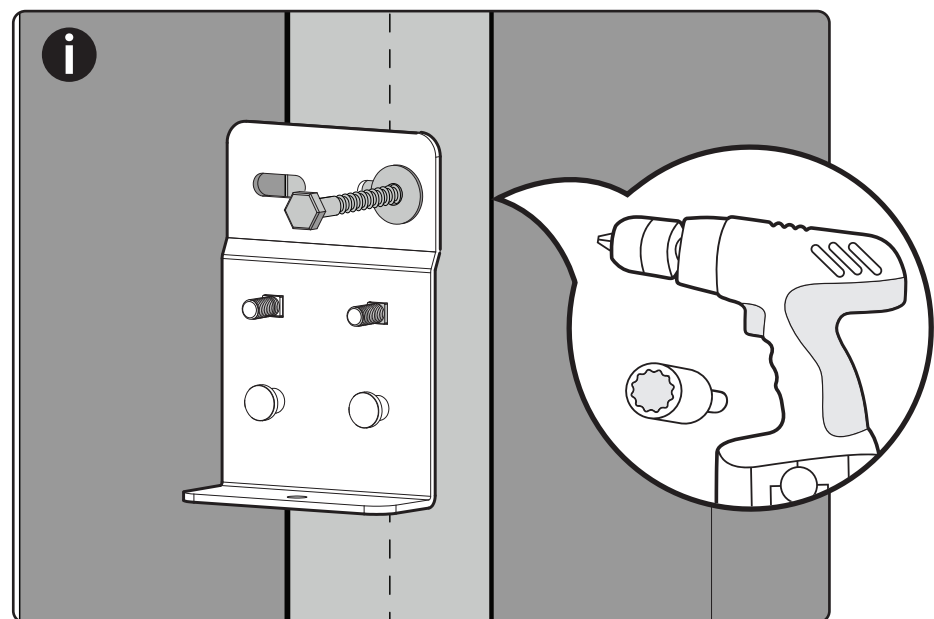
- 3** Start installation with the middle hanging bracket. Align the bottom of the Wall Mounting Bracket (#6) with the bottom level line and the center of the wall stud with the center of the horizontal slot in the mounting bracket (mark the hole to be drilled)



- 4** Drill a pilot hole using a 3/16" drill bit. **Note:** Pilot hole must bore into 3 inches of solid wood for lag screw to be fully secured.



- 5** **i** **8ft Wide Wall Mounted Shelf:** Insert two carriage bolts (#8) into the middle wall mounting bracket. Secure wall mounting bracket to stud using one 3in Lag Screw (#17), one 1/4" washer (#9) and 7/16" socket. **Note:** If connecting 2 or more Wall Mounted Shelves horizontally, refer to pg 26 before installing bracket.



**Warning:** Make sure the Lag Screws are tight against the stud but DO NOT over-tighten the lag screws.

If lag screws are over-tightened, the lag screw could snap or the hole may be stripped.

## **i** Masonry

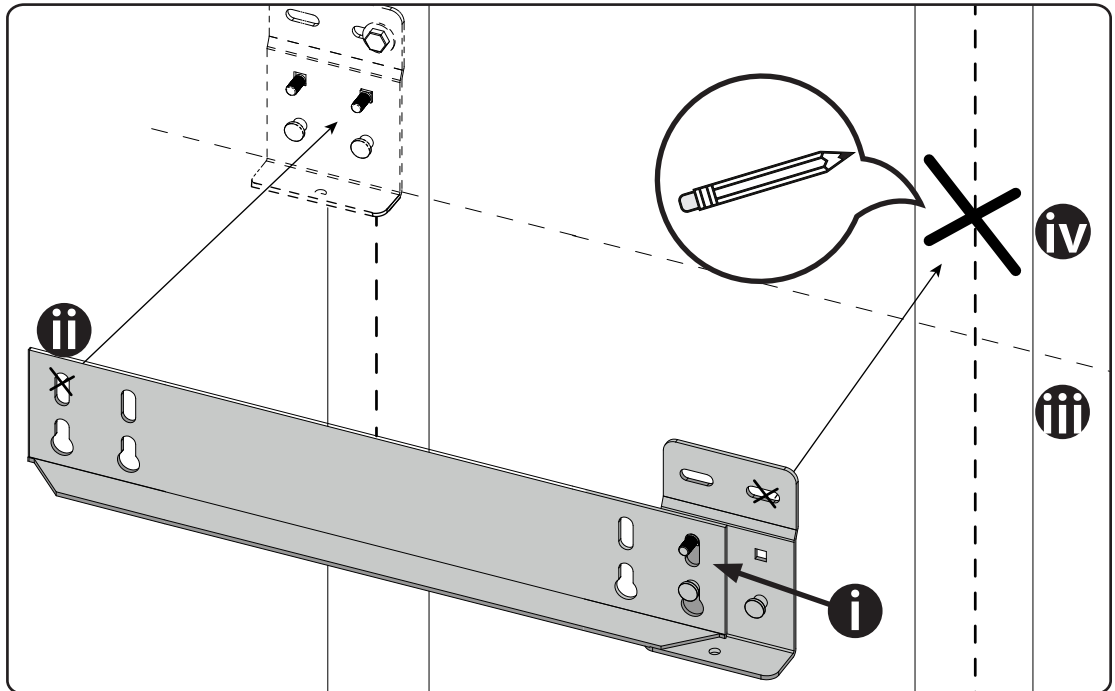
- Follow steps 1 to 11.
- Drill pilot holes through the marked locations with hammer drill & 5/16" masonry bit.
- Use Concrete Anchor for each pilot hole.

**6** Mark next location for pilot hole using the wall mounting bracket (#6) and rear perimeter beam (#2). Follow steps i through iii below.

**i** Insert the Wall Mounting Bracket and Carriage Bolt onto the Rear Perimeter Beam.

**ii** Mount the Rear Perimeter Beam onto the previously installed Wall Mounting Bracket.

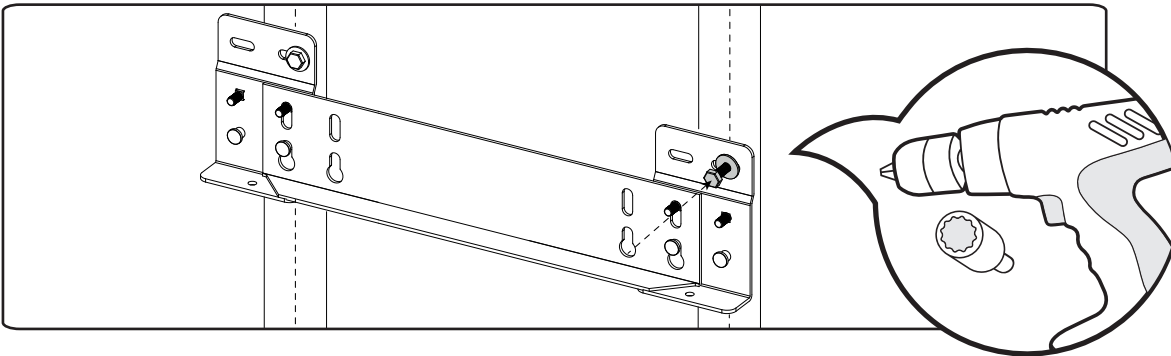
**iii** Align the bracket with the level line drawn from step 2.



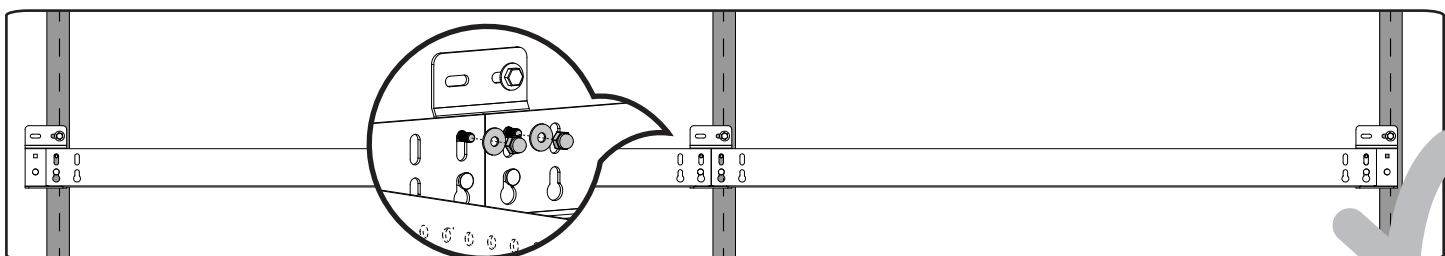
**iv** Mark the wall location to be drilled along the center of the stud (as shown above).  
Note: If the spacing of your studs do not align with the install locations refer to installing wall brace on Page.25

**Note:** Do not install nut onto carriage bolts until step 15.

**7** Drill a 3/16" pilot hole & secure wall mounting bracket into stud using one 3" Lag Screw (#17) one 1/4" washer (#9) and a 7/16" socket. Ensure Carriage Bolt (#8) is mounted before installing bracket.



**8** Repeat steps 6 & 7 for opposite side, or connecting multiple wall mounted shelves horizontally. Bolt the center of the rear perimeter beams to the wall mounting bracket with two 1/4" washers (#9) and two 1/4" acorn nuts (#10).



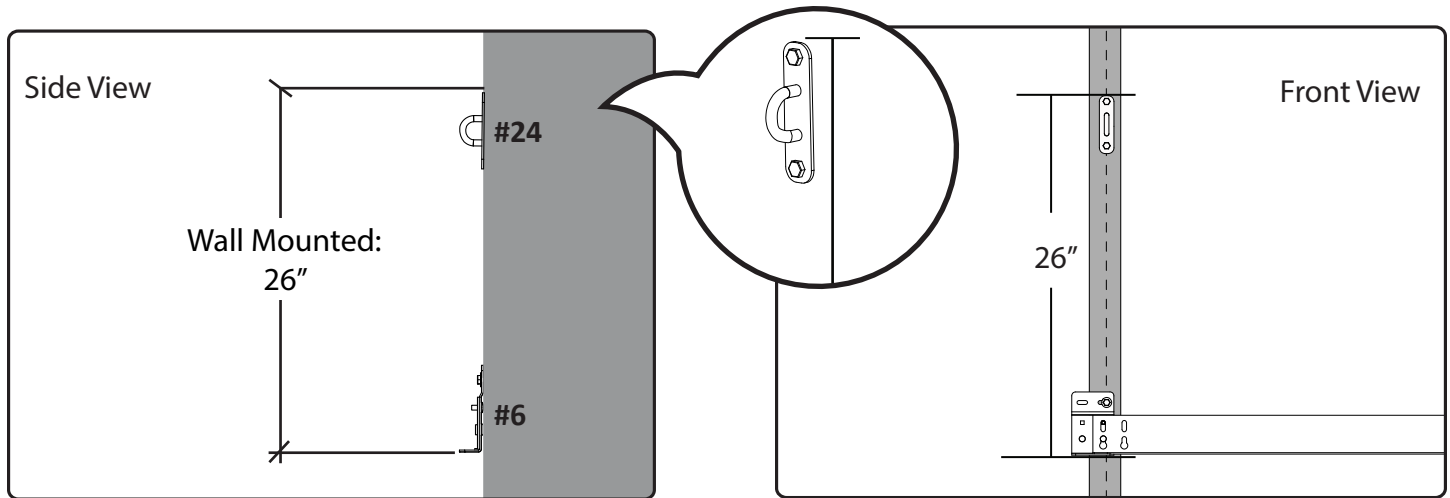
**Note:**

To continue Wall Installation continue to page 15. To Continue Ceiling installation, skip to page 17.

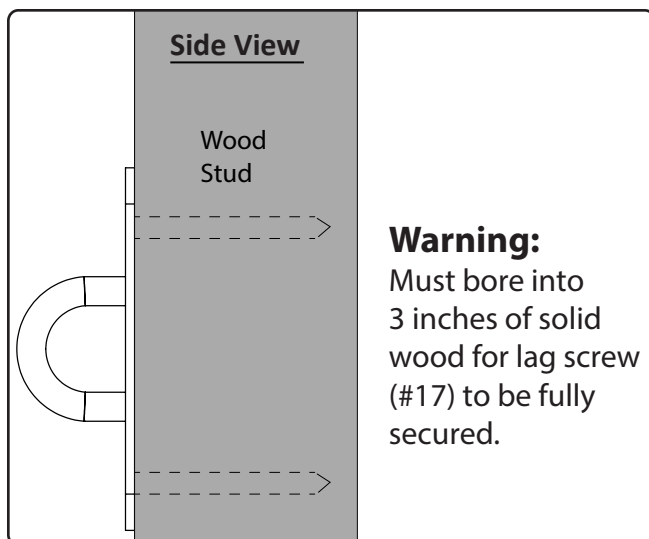
# Installing Pad Eye Plate

## Option A: Wall Configuration

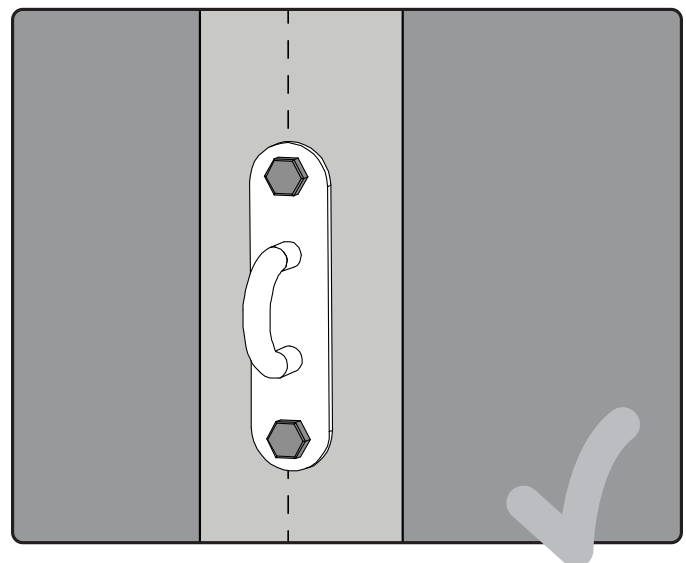
- 9A** **Wall Mounting:** Measure and mark 26" vertically from the bottom of the Wall Mounted bracket (#6) to the top of the pad eye plate (#24). Align the pad eye plate (#24) on the center of the stud and the top of the eye plate below the level line and mark the wall for pilot holes.



- 10A** Drill pilot holes into the solid wood using a 3/16" drill bit.



- 11A** Secure Pad Eye Plate (#24) to the stud or joist using two 3" Lag Screws (#17), and a 7/16" socket.



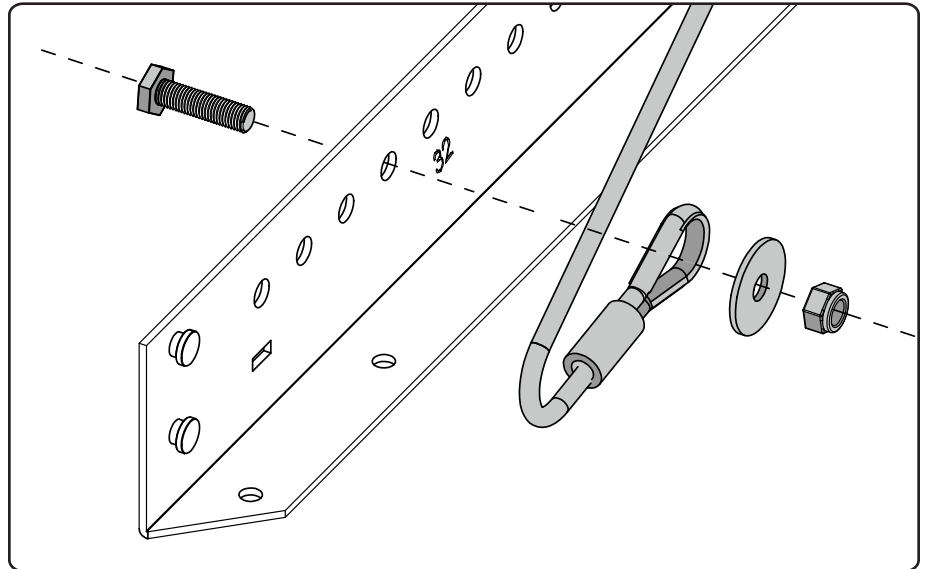
# Perimeter Beam & Cable Assembly

## Option A: Wall Configuration

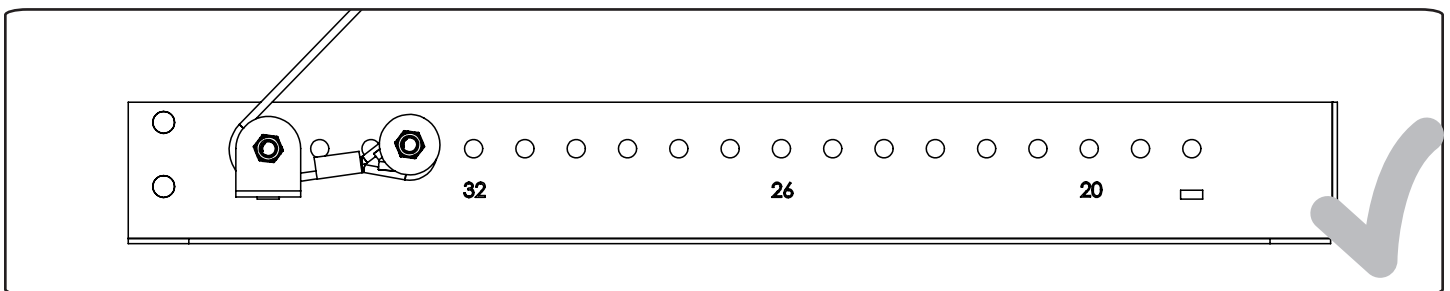
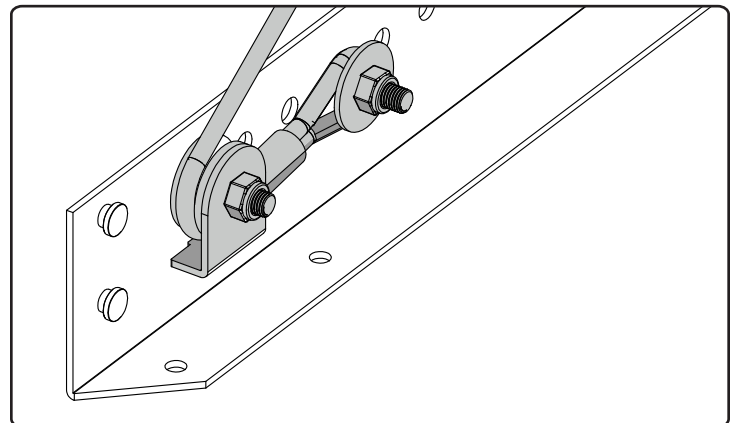
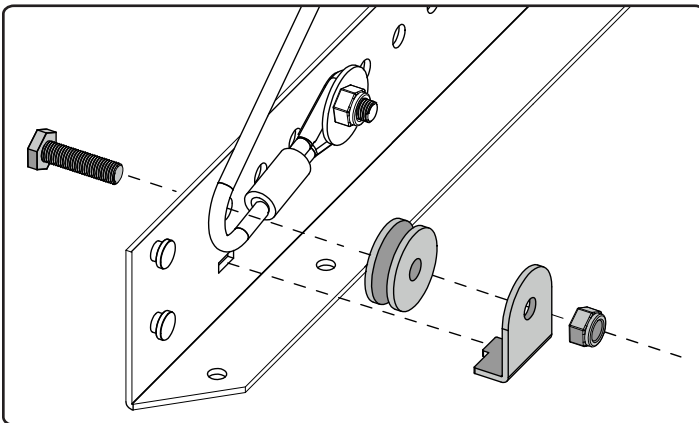
- 12A** Attach cable eyelet to side beam (#1/ #5) using 5/16" bolt (#21) , nut (#22) and fender washer (#23)

### Wall Mounted Cable Assembly:

Insert a 5/16" Hex Bolt into the 33rd hole of the side perimeter beam.



- 13A** Insert a 5/16" Hex Bolt (#21) into the Front/First hole of the side perimeter beams. Slide Pully cable cap (#18) onto the Hex Bolt and wrap the Cable Assembly around the pulley (#19). Slide the Pulley Cable Cap onto the Hex Bolt and secure with a 5/16" lock nut (#22). Align tab on Pulley Cable Cap with cutout in side frame.



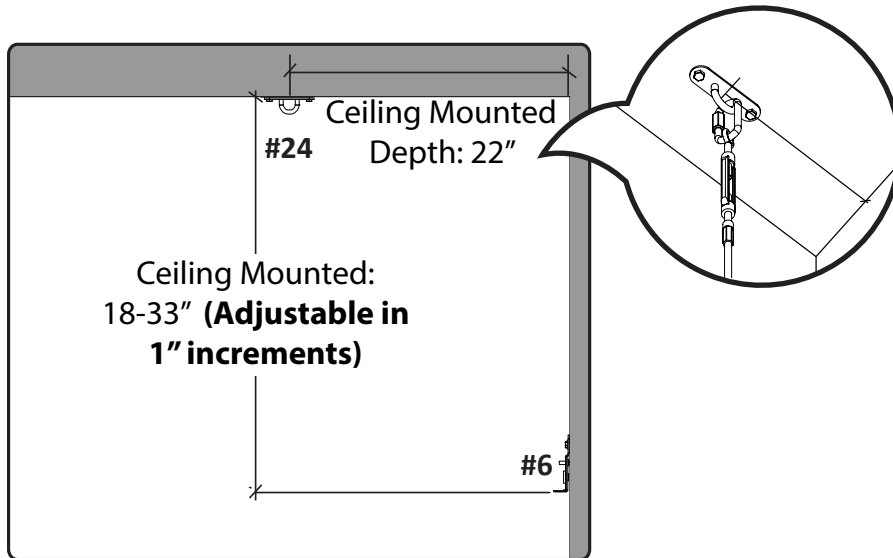
### **Note:**

To continue Wall Installation skip to page 19.

# Installing Pad Eye Plate

## Option B: Ceiling Configuration

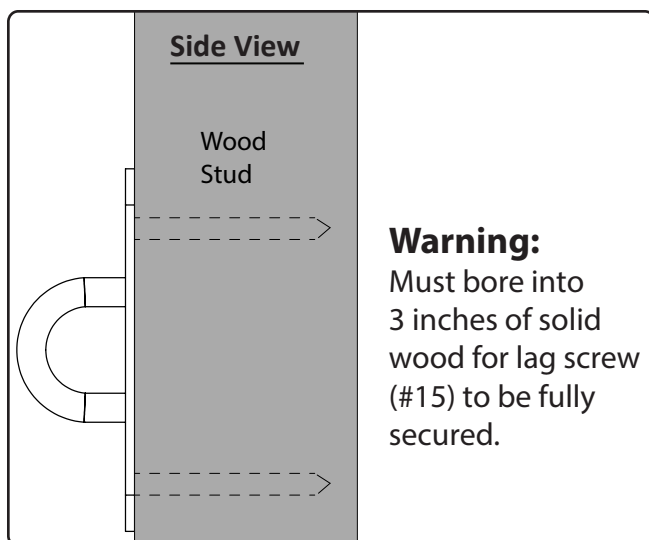
- 9B** **Ceiling Mounting:** Measure and mark 22" from the wall, in line with the wall mounting bracket (#6) and center of the ceiling joist, this will be the closest eye plate hole (#24) to the wall. Align the pad eye plate on the center of the ceiling joist and mark the ceiling for pilot holes.



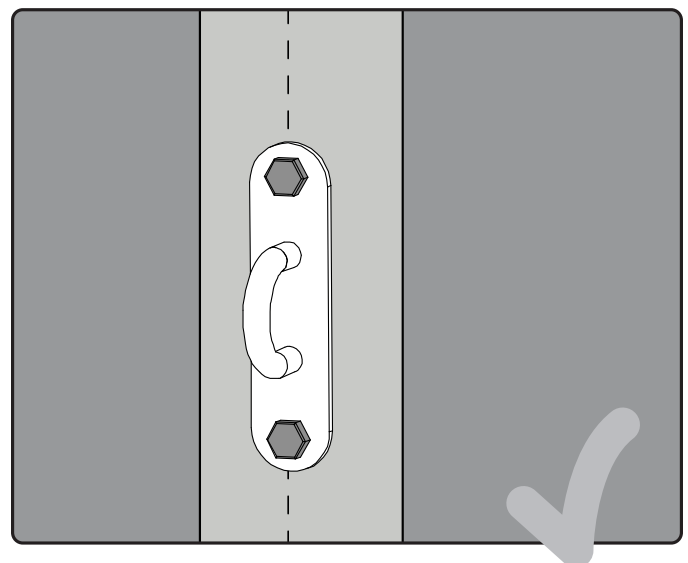
**Note:**

If Ceiling Joists are not in the required location, refer to "Installing with Irregular Joist Spacing" on Page 23.

- 10B** Drill pilot holes into the solid wood using a 3/16" drill bit.



- 11B** Secure Pad Eye Plate (#24) to the stud or joist using two 3" lag screws (#17), and a 7/16" socket.





# Perimeter Beam & Cable Assembly

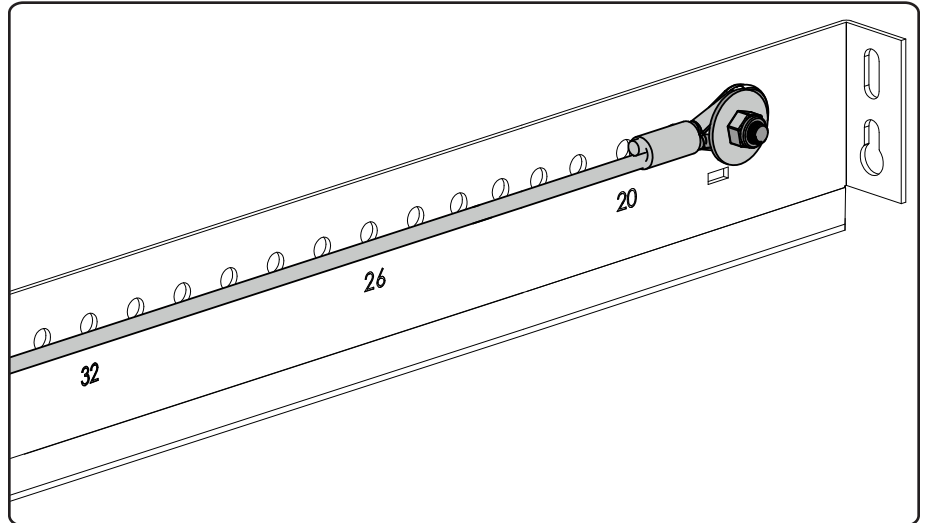
## Option B: Ceiling Configuration

**12B** Attach cable eyelet to side beam (#1/#5) using 5/16" bolt (#21), nut (#22) and fender washer (#23)

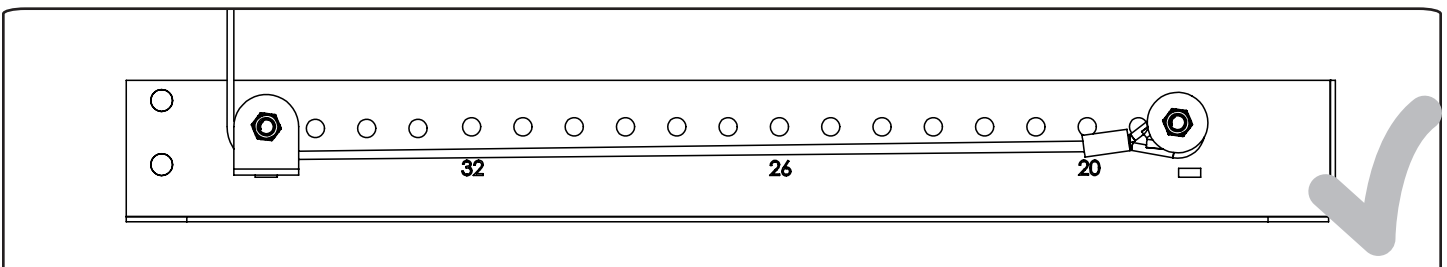
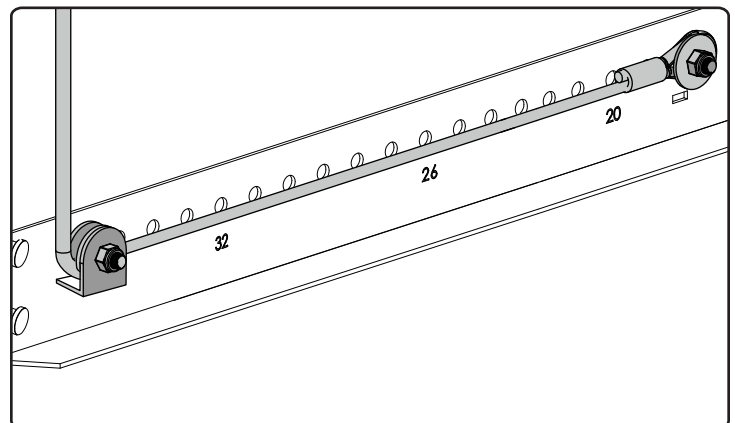
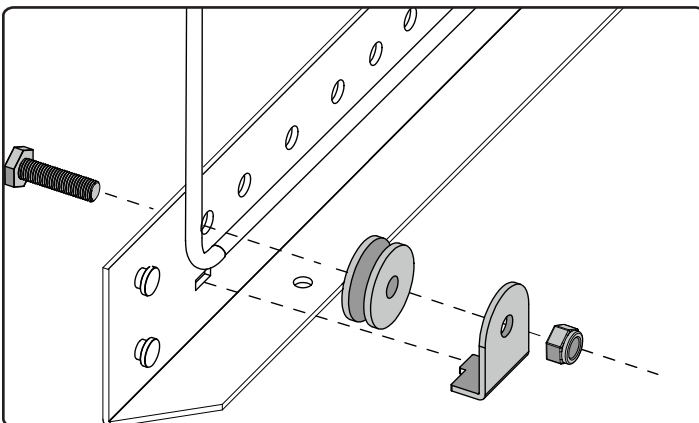
### Ceiling Mounted Cable Assembly:

Attach the Cable Eyelet (#20) to the respective hole according to the distance measured from the ceiling to the bottom of the Wall Mounted Shelf.

Example shown 18" from ceiling = 18th hole.



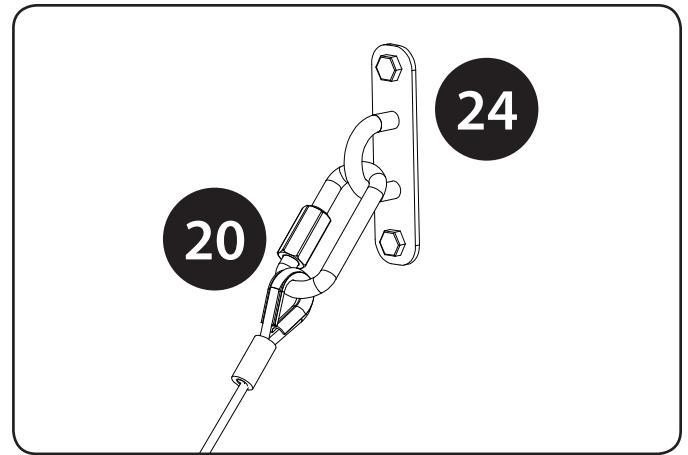
**13B** Insert a 5/16" Hex Bolt (#21) into the Front/First hole of the side perimeter beams. Slide Pulley cable cap (#18) onto the Hex Bolt and wrap the Cable Assembly around the pulley (#19). Slide the Pulley Cable Cap onto the Hex Bolt and secure with a 5/16" lock nut (#22). Align tab on Pulley Cable Cap with cutout in side frame.



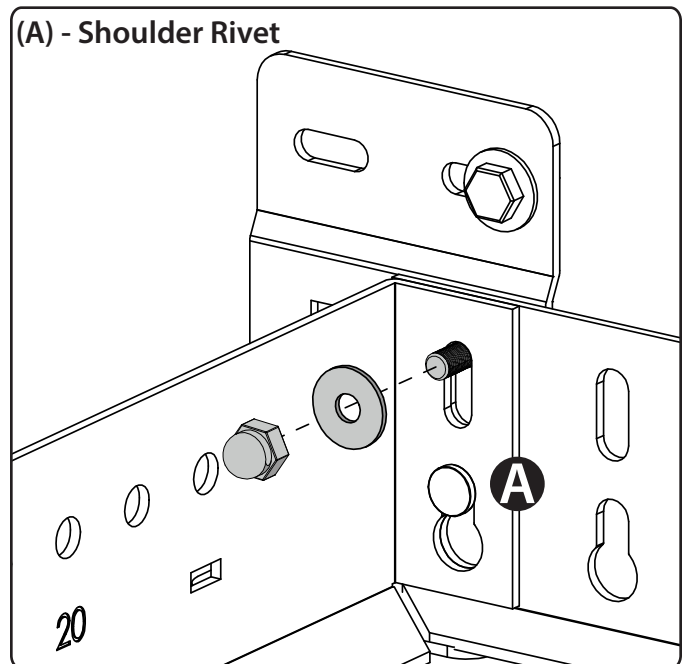
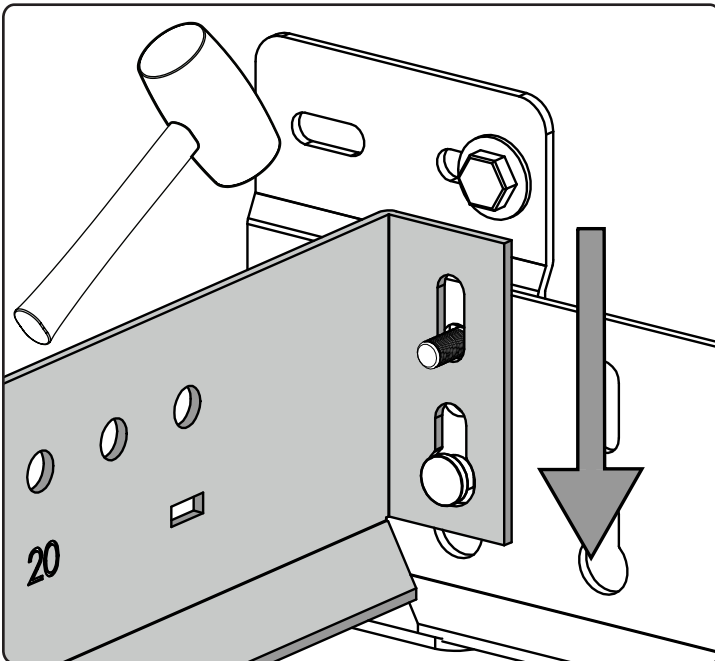
### **Note:**

To continue Ceiling installation continue to page 19.

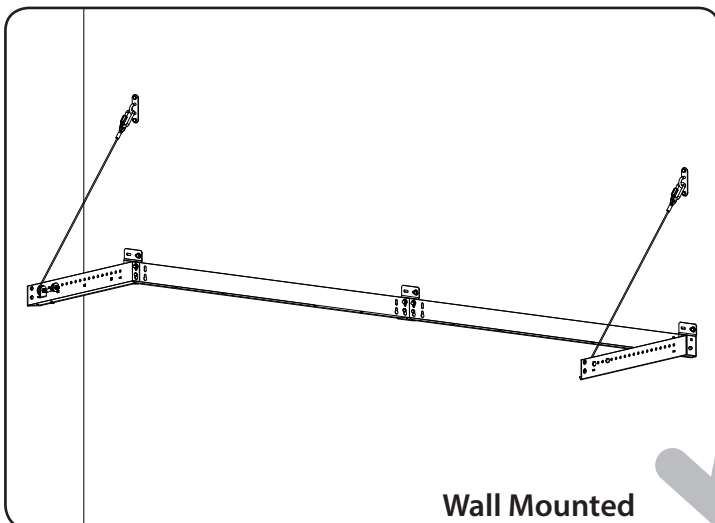
- 14** Attach the Quick Link Connector (#20) to the Pad Eye Plate (#24).



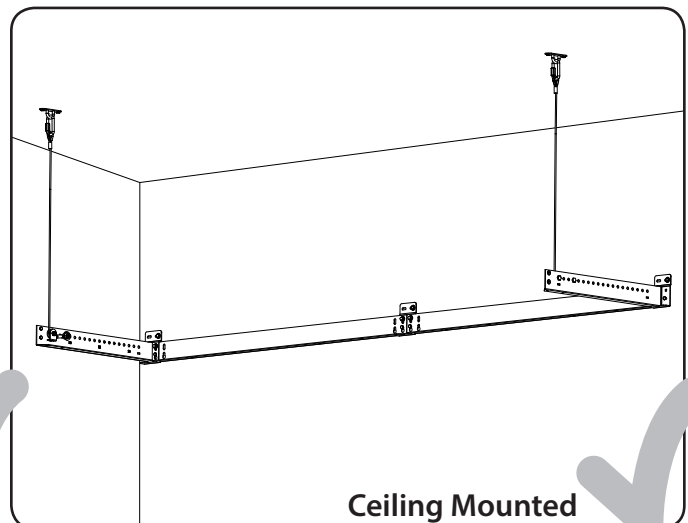
- 15** Attach Side Beam( #1/#5) by guiding the mounting holes into the carriage bolt (#8) and shoulder rivet on the wall bracket. Then bolt the side perimeter beam with a 1/4" washer (#9) and 1/4" acorn nut (#10).



- 16** Repeat steps 12-15 for the opposite side.

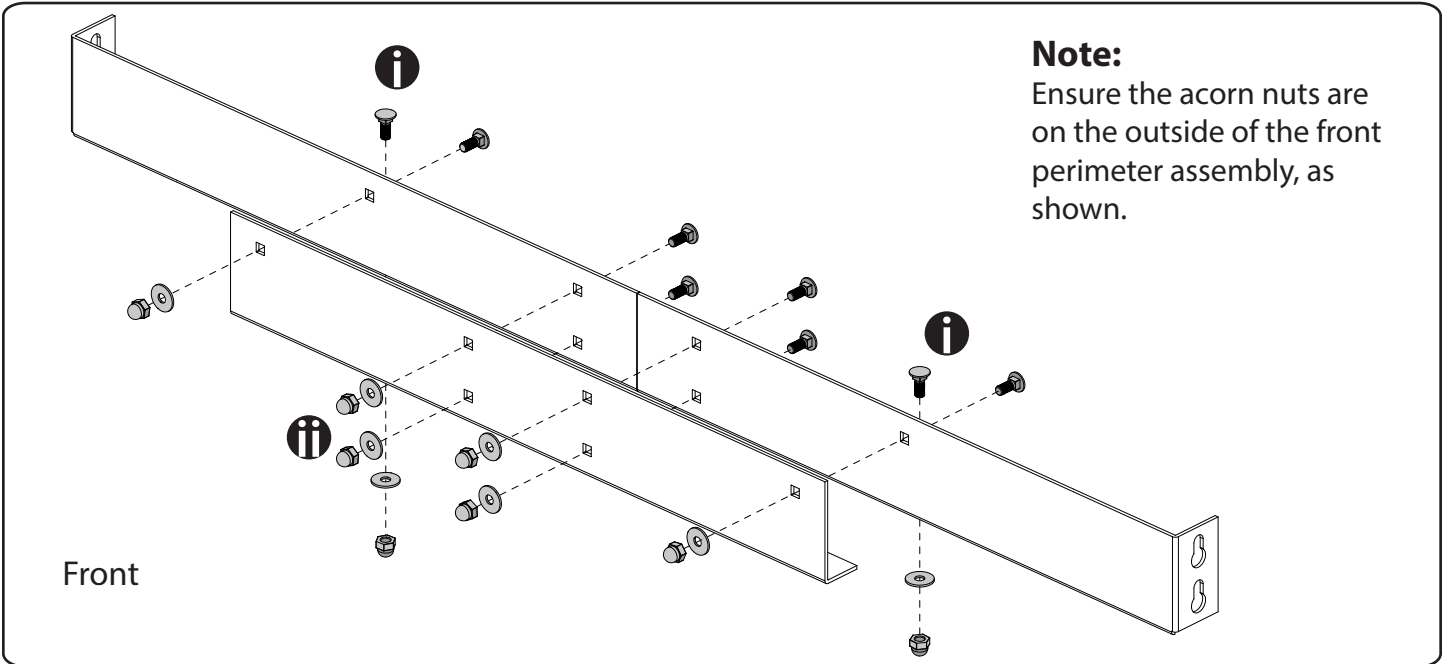


Wall Mounted

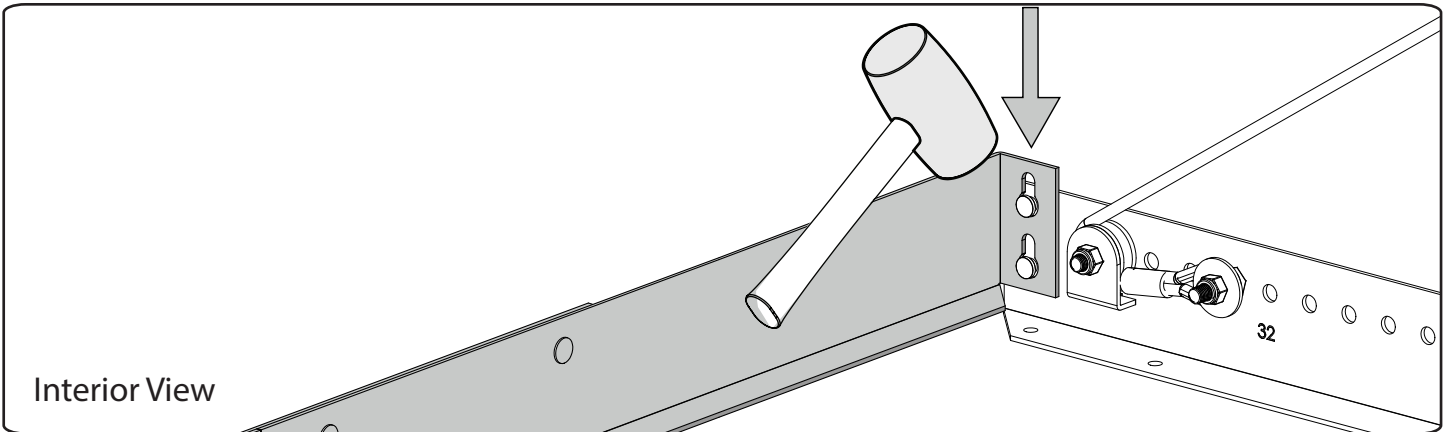


Ceiling Mounted

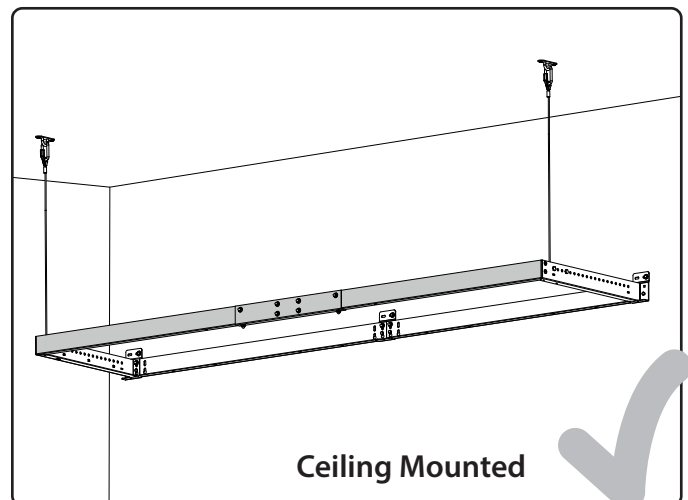
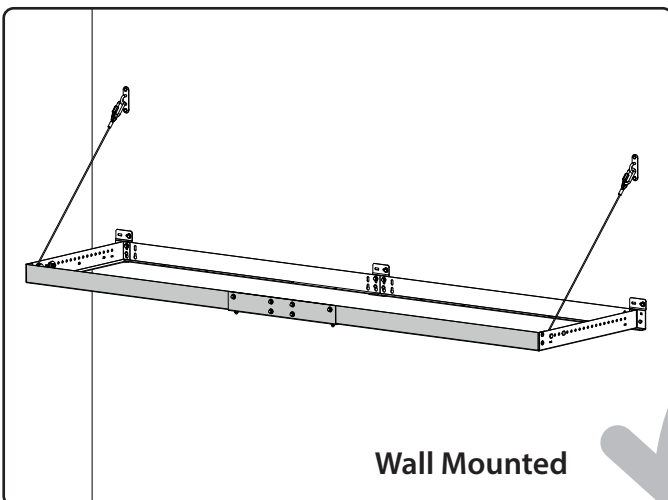
- 17** Bolt together the front perimeter beams (#3 / #4) with the front perimeter bracket (#7) with eight 1/4" carriage bolts (#8), washers (#9) and acorn nuts (#10). Begin with the vertical Bolts (i) followed by the horizontal Bolts (ii)



- 18** Guide the mounting holes of the front beam into the shoulder rivets on the side perimeter beam. Use a rubber mallet to seat the rivets with the top of the keyholes.

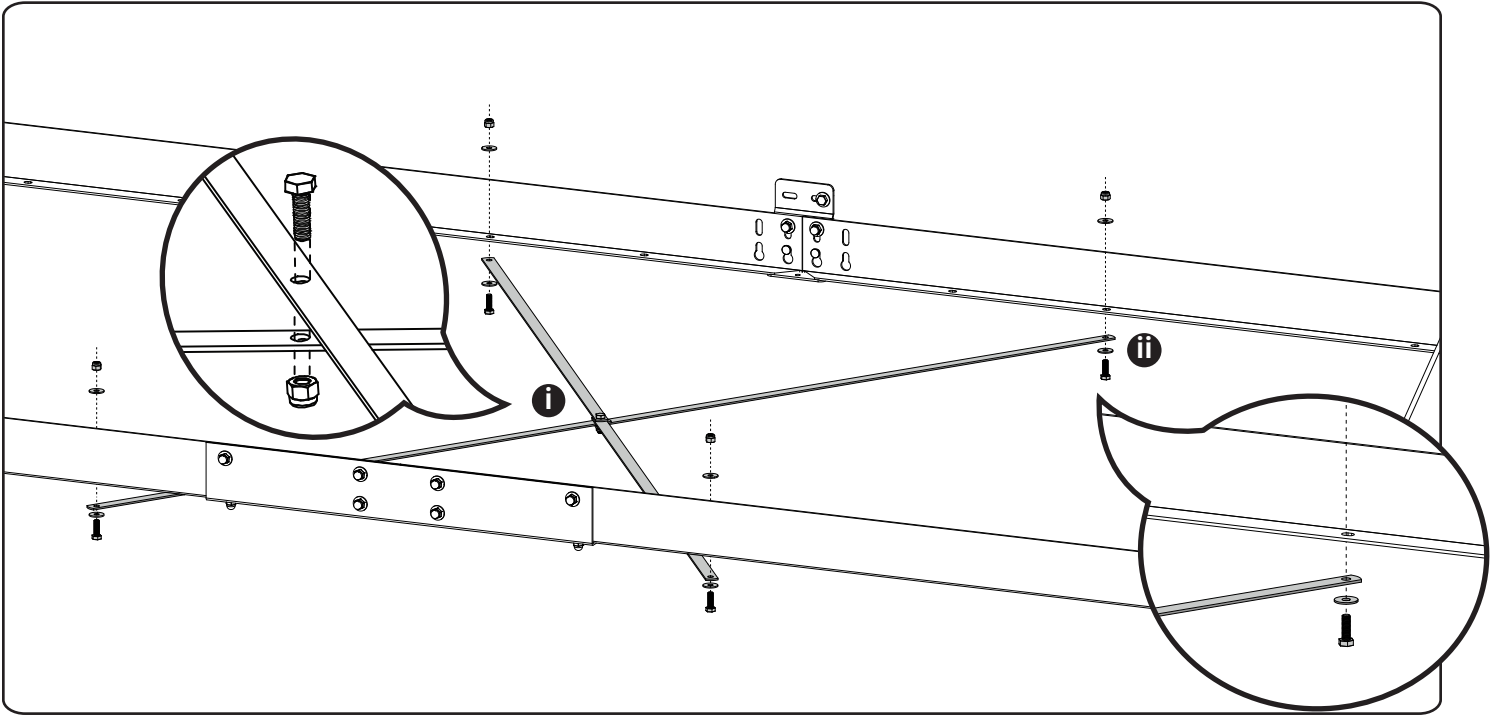


- 19** Repeat step 18 for the opposite side of the beam



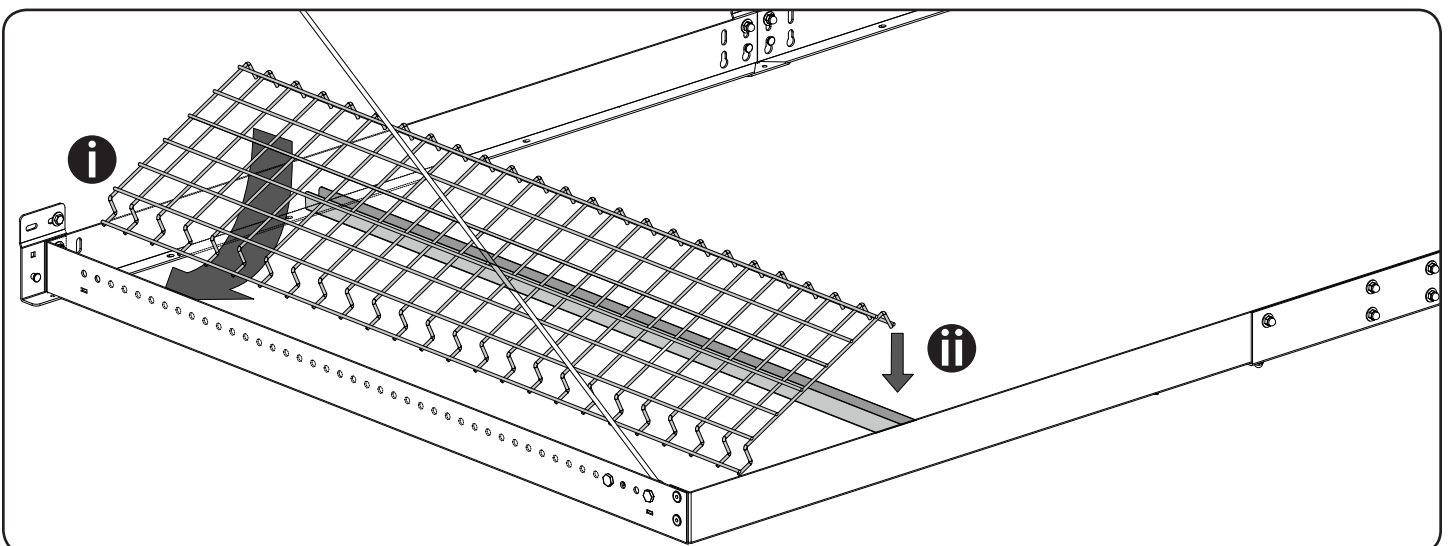
# 2ft Cross Support Assembly

- 20** (i) Assemble the 2ft Cross Supports (#14) with one 1/4" hex bolt (#15) and 1/4" lock nut (#16). (ii) Attach the assembled 2ft cross supports to the perimeter frame with four hex bolts (#15), eight washers (#9), and four lock nuts (#16)

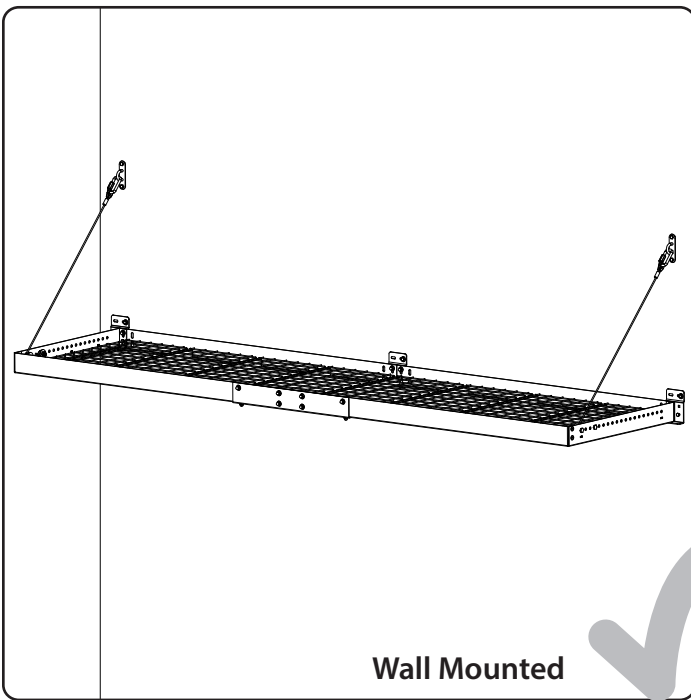
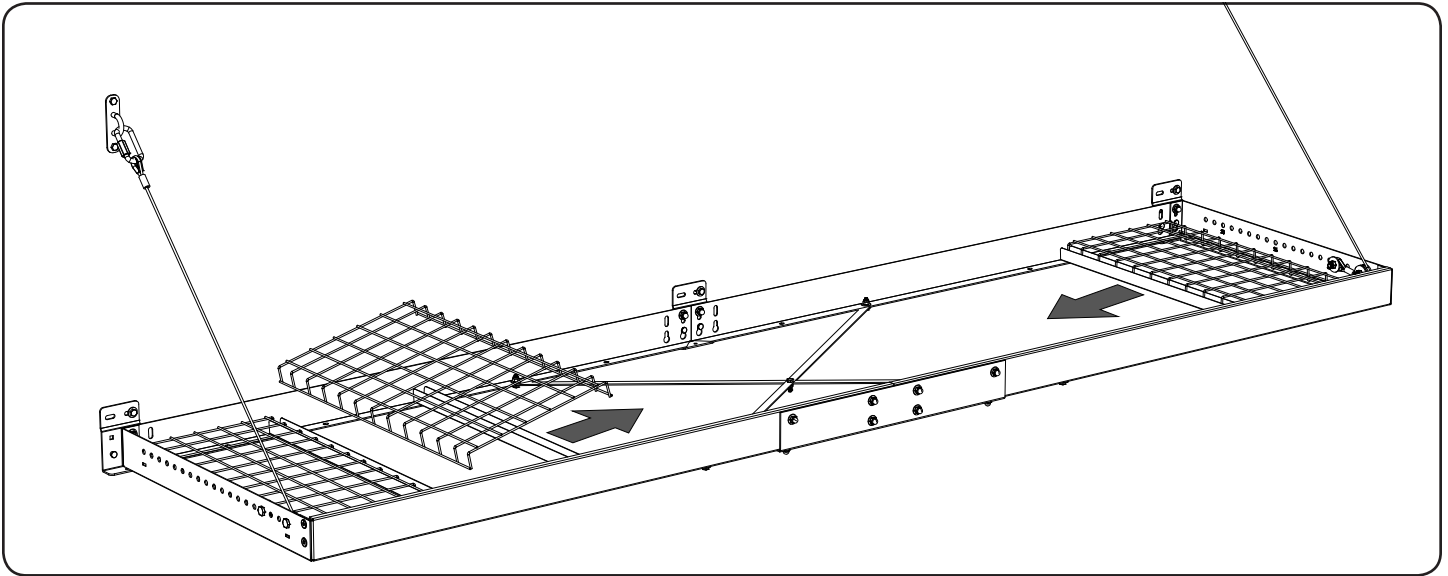


# Grid Supports & Wire Grids Installation

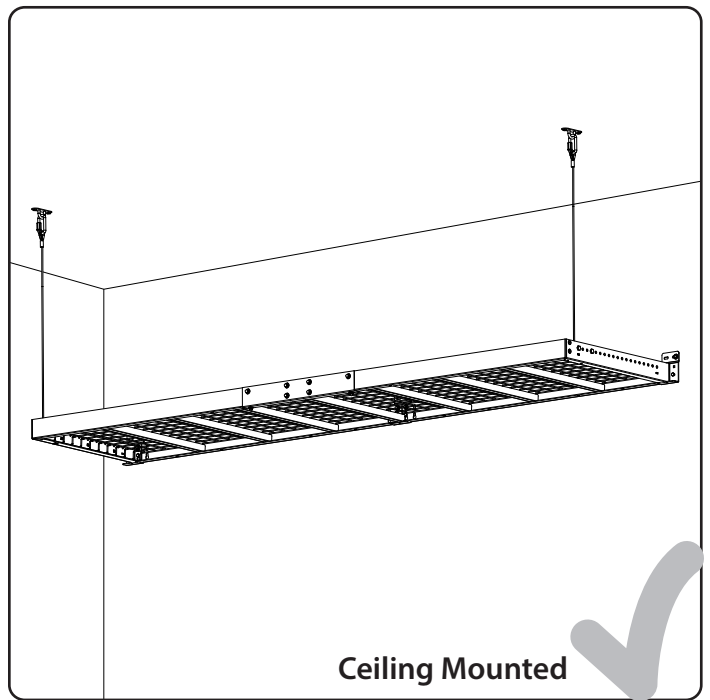
- 21** (i) Begin at the side ends of the Wall Mounted Shelves and slide the 2ft Finishing Grid Section with bent edges (#11) . The bent edges would slide below the installed Pulley & Cables. (ii) Place 2ft "U" Shaped Grid Supports under wire grid (#13).



**22** Moving inward, place remaining bottom “U” Shaped Grid Supports and Grid Sections onto the Wall Shelf.



Wall Mounted



Ceiling Mounted

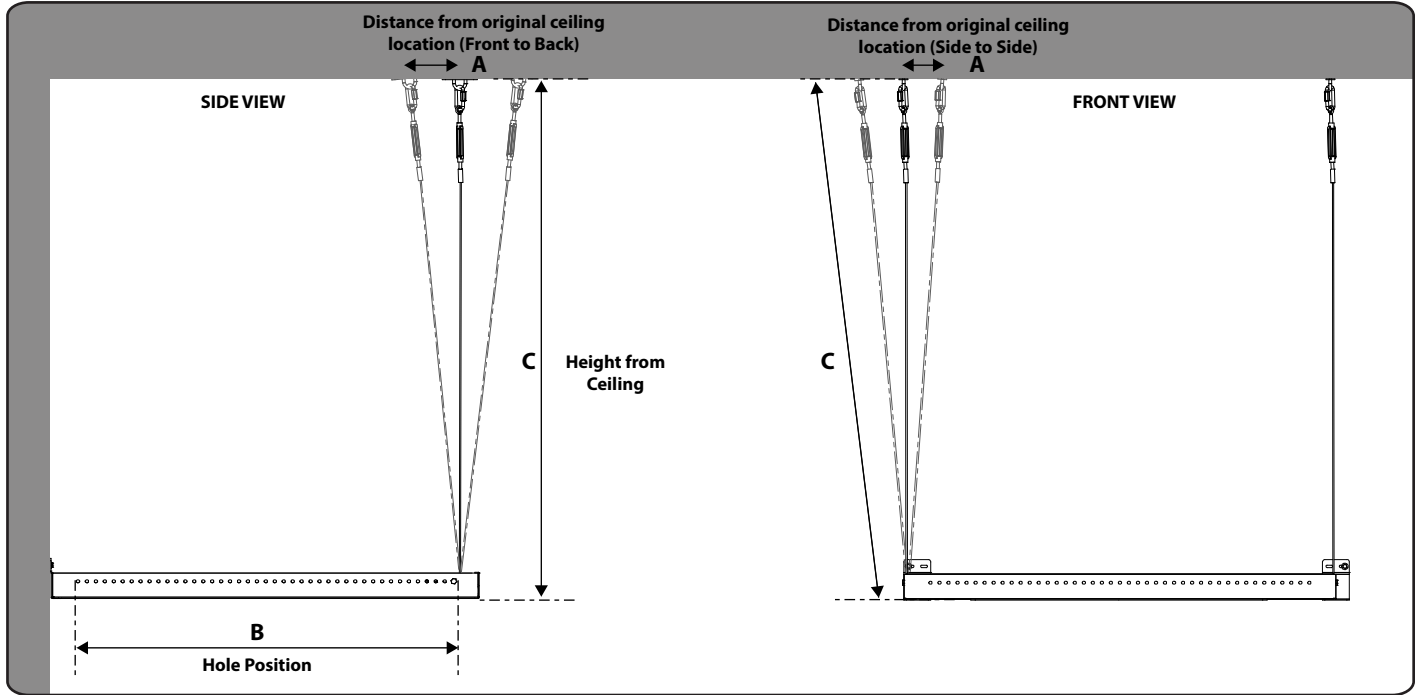
**Warning:**

Periodically (at least quarterly) inspect your Wall Mounted Shelf unit to ensure brackets are seated properly and bolts are firmly connected to the studs/joists. If the Wall Mounted Shelf has begun unseating, uninstall the Wall Mounted Shelf and install proper ceiling/wall support.

# Installation Tips

## Installing with Irregular Joist Spacing

**A** Pad eye plates can be positioned up to 6 inches side to side or 12 inches front to back to align with a ceiling joist. If you are not installing the pad eye plates in the intended location, the height of the shelf needs to be adjusted according to the values in the table below.

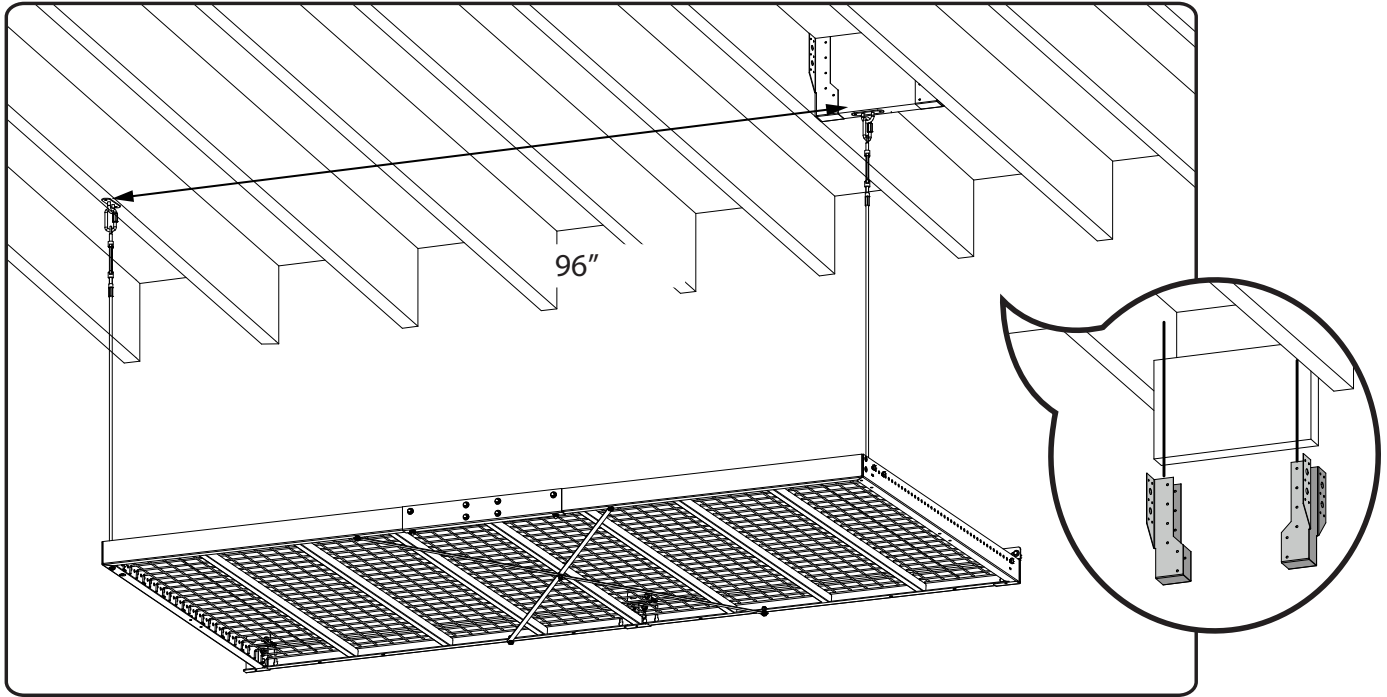


Determine the distance of your pad eye plate from the intended original ceiling location (A) and hole position (B). Look at your corresponding values in the table below (for A and B) to determine your height from ceiling location (C).

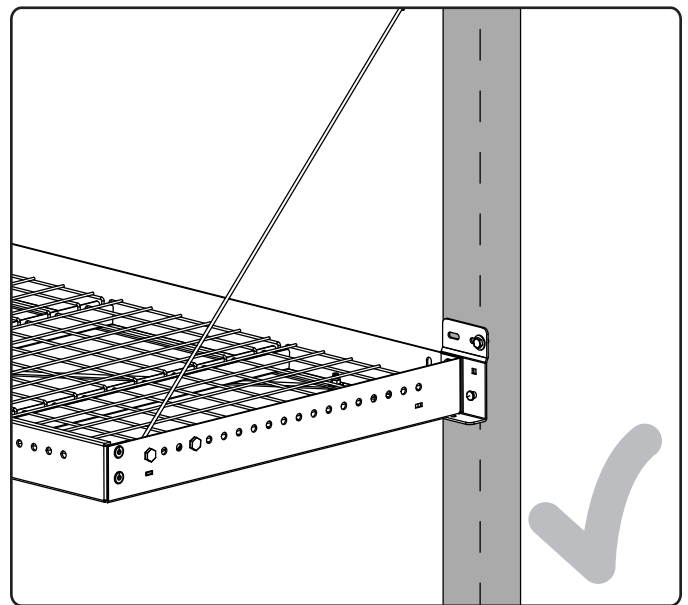
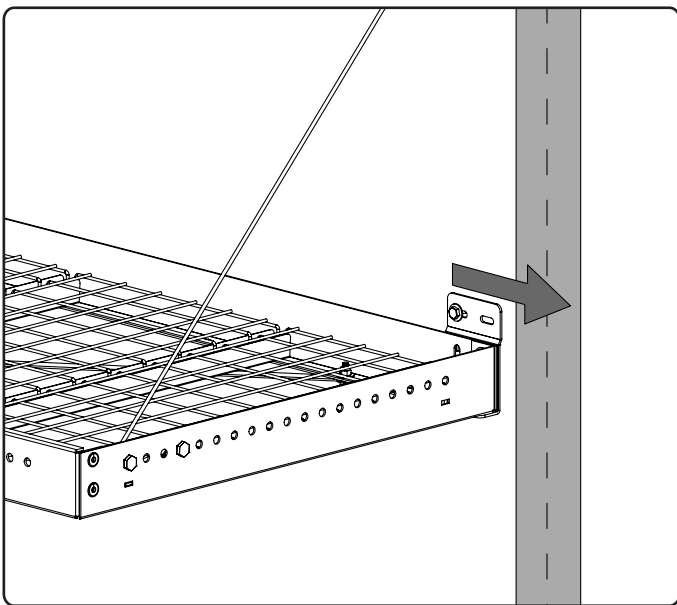
		Distance from original Ceiling Location(Inches) (A)											
		1	2	3	4	5	6	7	8	9	10	11	12
Hole Position(B)	18	18	17 7/8	17 3/4	17 1/2	17 1/4	17	16 5/8	16 1/8	15 5/8	15	14 1/4	13 3/8
	19	19	18 7/8	18 3/4	18 5/8	18 3/8	18	17 5/8	17 1/4	16 3/4	16 1/8	15 1/2	14 3/4
	20	20	19 7/8	19 3/4	19 5/8	19 3/8	19 1/8	18 3/4	18 3/8	17 7/8	17 3/8	16 3/4	16
	21	21	20 7/8	20 3/4	20 5/8	20 3/8	20 1/8	19 3/4	19 3/8	19	18 1/2	17 7/8	17 1/4
	22	22	21 7/8	21 3/4	21 5/8	21 3/8	21 1/8	20 7/8	20 1/2	20 1/8	19 5/8	19	18 1/2
	23	23	22 7/8	22 3/4	22 5/8	22 1/2	22 1/4	21 7/8	21 5/8	21 1/8	20 3/4	20 1/4	19 5/8
	24	24	23 7/8	23 3/4	23 5/8	23 1/2	23 1/4	23	22 5/8	22 1/4	21 7/8	21 3/8	20 3/4
	25	25	24 7/8	24 7/8	24 5/8	24 1/2	24 1/4	24	23 5/8	23 3/8	22 7/8	22 1/2	21 7/8
	26	26	25 7/8	25 7/8	25 3/4	25 1/2	25 1/4	25	24 3/4	24 3/8	24	23 1/2	23 1/8
	27	27	26 7/8	26 7/8	26 3/4	26 1/2	26 3/8	26 1/8	25 3/4	25 1/2	25 1/8	24 5/8	24 1/8
	28	28	27 7/8	27 7/8	27 3/4	27 1/2	27 3/8	27 1/8	26 7/8	26 1/2	26 1/8	25 3/4	25 1/4
	29	29	28 7/8	28 7/8	28 3/4	28 5/8	28 3/8	28 1/8	27 7/8	27 5/8	27 1/4	26 7/8	26 3/8
	30	30	29 7/8	29 7/8	29 3/4	29 5/8	29 3/8	29 1/8	28 7/8	28 5/8	28 1/4	27 7/8	27 1/2
	31	31	30 7/8	30 7/8	30 3/4	30 5/8	30 3/8	30 1/4	30	29 5/8	29 3/8	29	28 5/8
32	32	31 7/8	31 7/8	31 3/4	31 5/8	31 3/8	31 1/4	31	30 3/4	30 3/8	30	29 5/8	
33	33	33	32 7/8	32 3/4	32 5/8	32 1/2	32 1/4	32	31 3/4	31 1/2	31 1/8	30 3/4	

**B** If the spacing of your ceiling joists do not match the desired size and direction of your Wall Mounted Shelf installation you will need to install a joist in the correct position. Please consult your local professional contractor for assistance installing a joist hanger.

Using suitable joist hangers, install two additional wooden ceiling joists in the desired location.  
(ceiling joist, joist hanger and hardware not included)

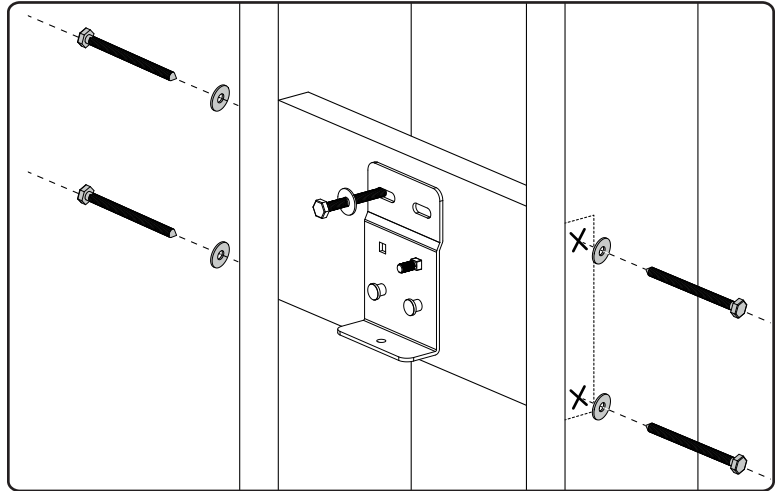


**C** Adjust your back wall mounting brackets left or right to align with the wall studs.



**D** If the spacing of your wall studs do not match the desired size and direction of your Wall Mounted Shelf installation, you will need to install a horizontal support brace in the correct position (minimum 2" x 8").

Install an additional horizontal support brace in the required locations for your wall mounting depending on the Wall Mounted Shelf and orientation as determined on page 10 (ceiling joist and hardware not included)



## Fastening to Engineered Joists

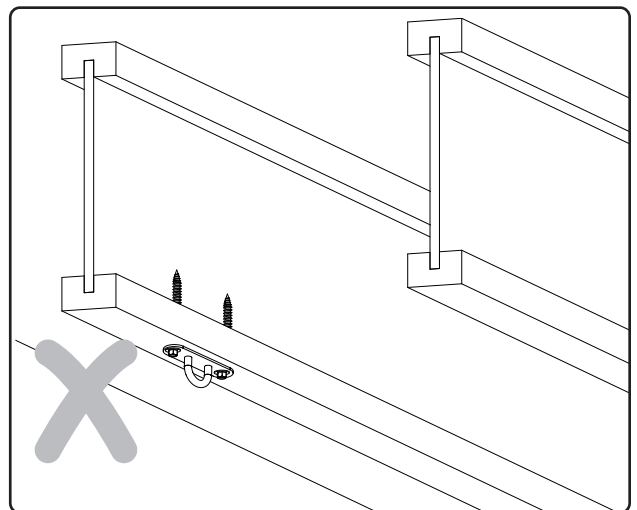
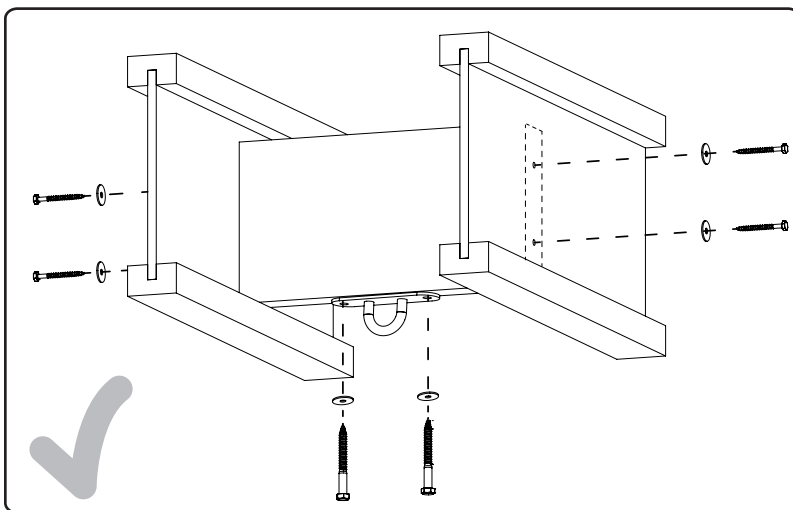


### Warning:

Engineered ceiling joists are not suitable for directly fastening the ceiling mounting angles to.

If the construction of your ceiling is using engineered ceiling joists you must install an additional ceiling joist (minimum 2" x 8") perpendicular between two of the engineered ceiling joists.

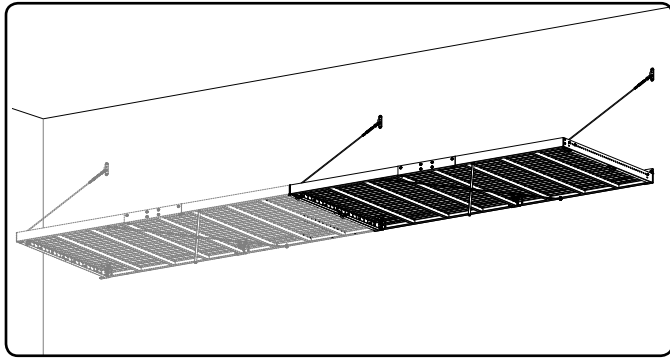
Install two additional wooden ceiling joists in the required locations for your ceiling mounting angles depending on the Wall Mounted Shelf size and orientation as determined on page 10 (ceiling joist and hardware not included)



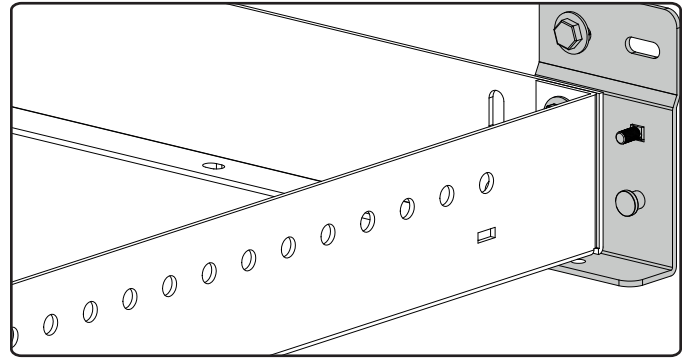


# Connecting Wall Mounted Shelves Horizontally

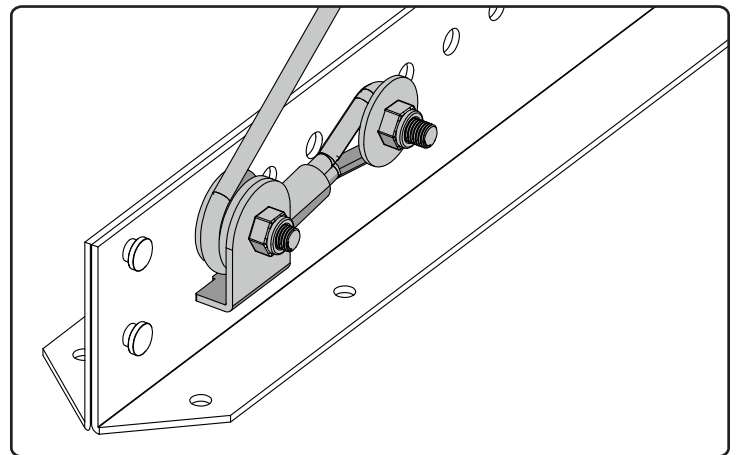
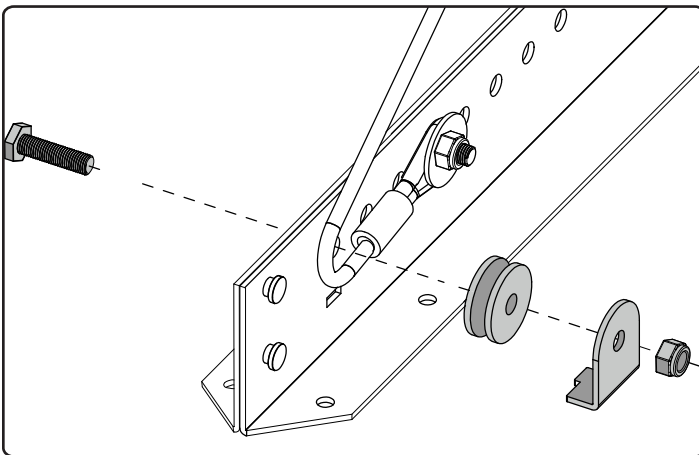
- 1** Install first wall shelf according to option A (Wall Mounted) or B (Ceiling Mounted), until reaching Step 12 on page 16 or page 18.



- 2** Note: Before installing the Wall Mounting Brackets, ensure wall mounted bracket will be shared between two shelves that both carriage bolts are mounted where there will be two Wall Mounted Shelves connected.



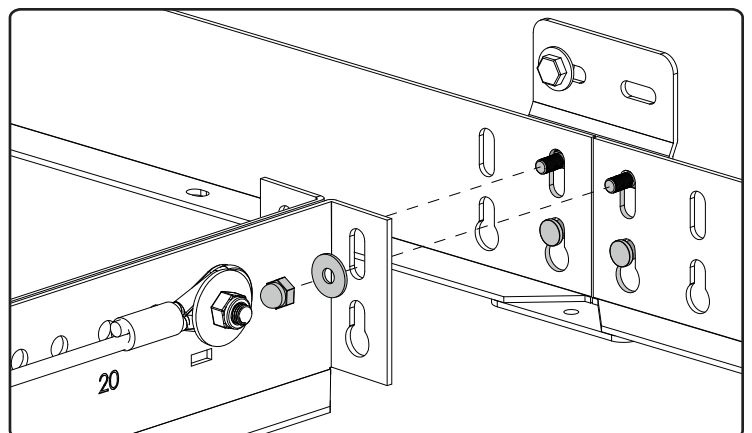
- 3** Insert a 5/16" Hex Bolt into the Front/First hole of the side perimeter beams. Slide Pulley cable cap onto the Hex Bolt and wrap the Cable Assembly around the pulley. Slide the Pulley Cable Cap onto the Hex Bolt and secure with a 5/16" lock nut. Align tab on Pulley Cable Cap with cutout in side frame.



**Note:** Only one cable assembly is required for each pair of side perimeter beams.

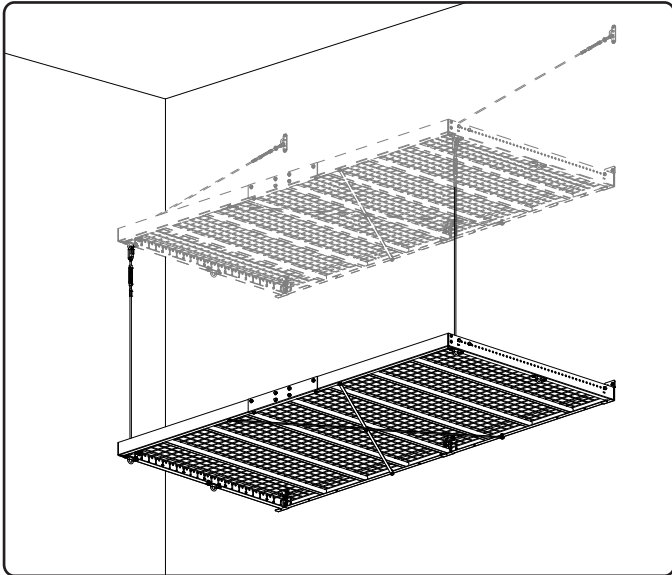
- 4** Attach Side Beams by guiding the mounting holes into the carriage bolts and shoulder rivets on the wall bracket. Then bolt the side perimeter beams with a 1/4" washer and 1/4" acorn nut.

- 5** Once the connecting side beams have been installed, continue installation with step 17 on page 20.



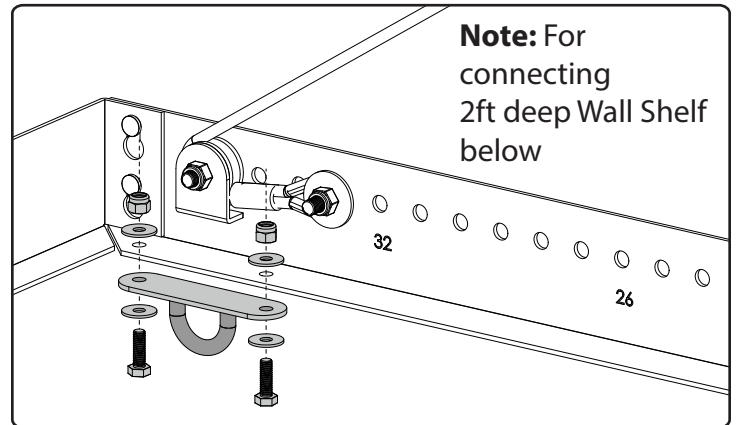
# Connecting Wall Mounted Shelf Vertically

- 1 Fully Install upper wall shelf according to option A (Wall Mounted) or B (Ceiling Mounted). Start installing lower wall shelf up until Step 8 on Page.14



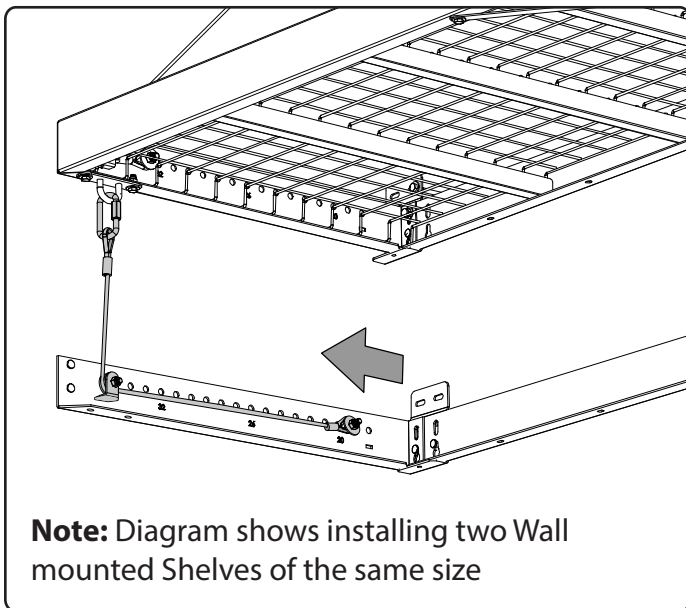
- 2 Once you have followed steps 1 to 8 for the lower wall shelf, install the pad eye plates on your upper wall shelf according to diagram below. You may need to remove the end grids to access the mounting holes.

Using two 1/4" hex bolts, four 1/4" washers and two 1/4" lock nuts, bolt a pad eye plate to the mounting holes furthest away from the wall. Repeat to the opposite side.

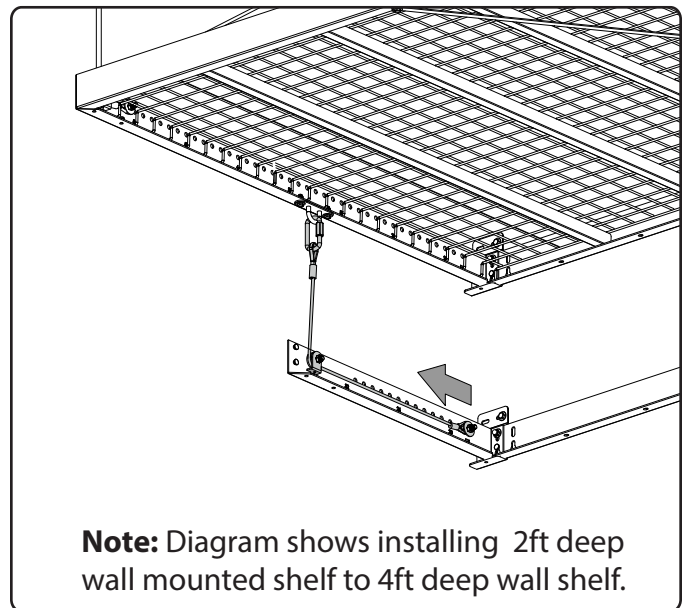


**Note:** For connecting 2ft deep Wall Shelf below

- 3 Begin assembly of the lower Wall Mounted Shelf according to steps 3-8, based upon desired height from the Wall Mounted Shelf above. Install back hanging brackets on the same stud as above Wall Mounted Shelf.



**Note:** Diagram shows installing two Wall mounted Shelves of the same size



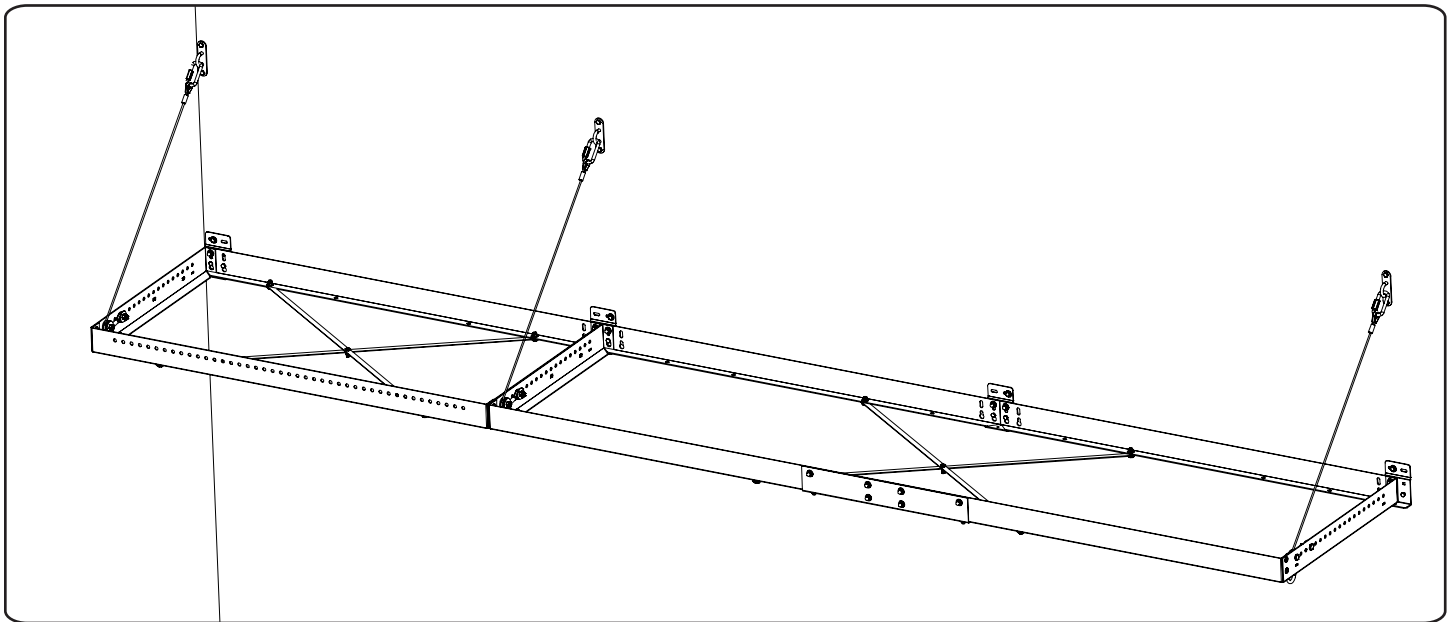
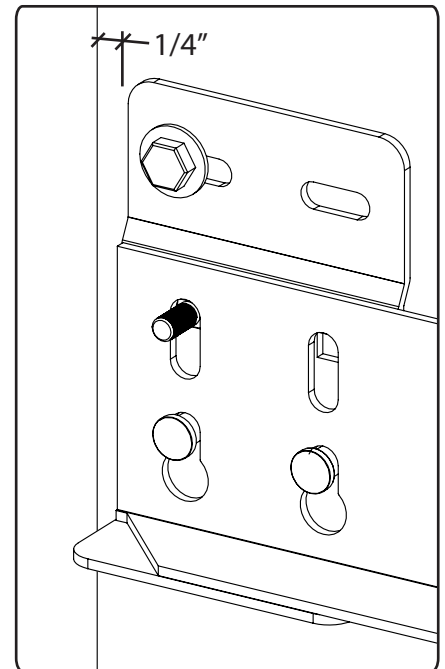
**Note:** Diagram shows installing 2ft deep wall mounted shelf to 4ft deep wall shelf.

- 4 Complete the Cable Assembly by installing the Cable Eyelet according to the distance measured from the bottom of the upper Wall Mounted Shelf to the bottom of the lower Wall Mounted Shelf. (Similar to step 9b pg.17)
- 5 Continue assembly according to Wall Mounted Shelf installation instructions, resuming on step 12.

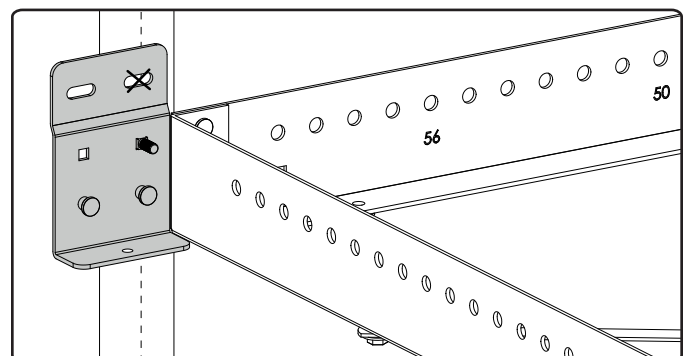
# Connecting Corner Wall Mounted Shelf

**Note:** If installing two 2ftx8ft and one 2ftx4ft Wall Mounted Shelves in an L configuration, follow instructions starting on 1B of this page:

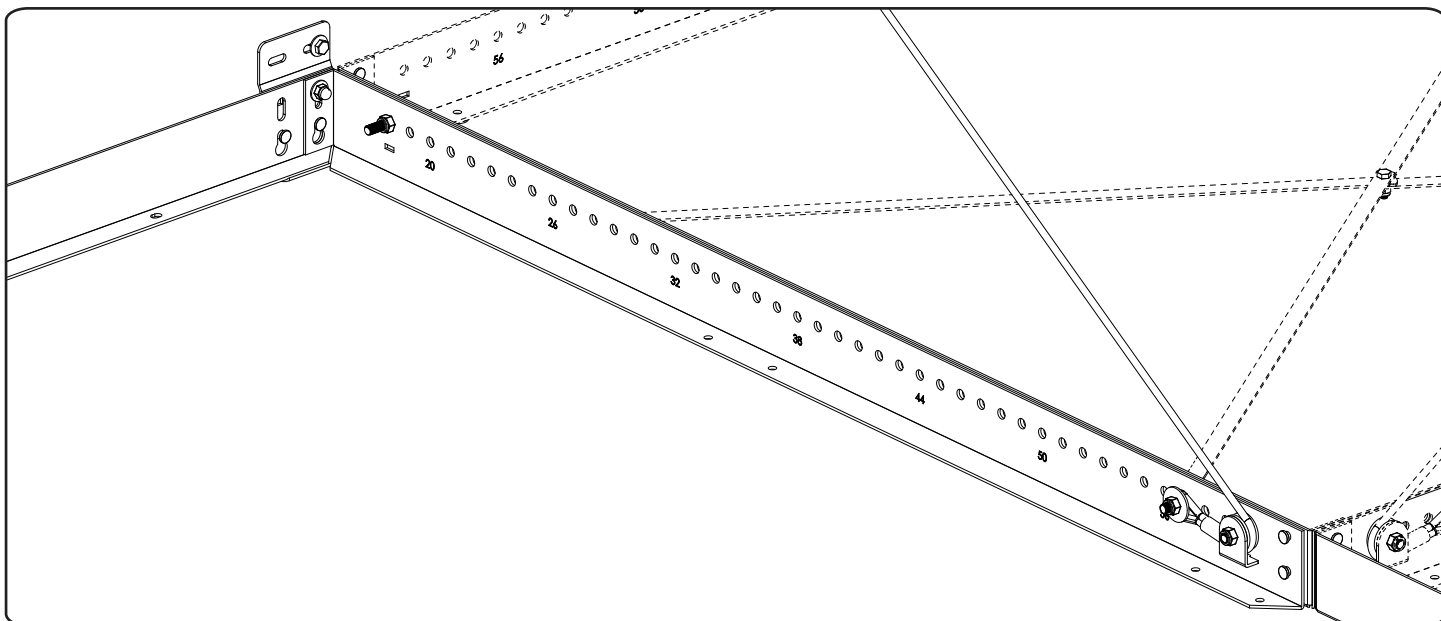
- 1** Begin installing the 2ftx4ft Wall Mounted Shelf by following the instructions below.
- A** If you are only installing Wall Mounted Shelves in one direction, follow the instructions on page 26 - "Connecting Wall Mounted Shelves Horizontally";
- B** Once the location of the Wall Mounted Shelf has been decided, install the Wall Mounting Bracket of the 2ftx4ft Wall Mounted Shelf a 1/4" off the wall following the instructions on page 13 - "Installing Wall Mounting Brackets."
- 2** Continue with the assembly following instructions on page 26 - "Connecting Wall Mounted Shelves Horizontally."



- 3** Align the side of the Wall Mounting Bracket of the next 2ftx8ft Wall Mounted Shelf with the Front Perimeter Beam of the 2ftx4ft Wall Mounted Shelf. Mark, drill a pilot hole and install accordingly.



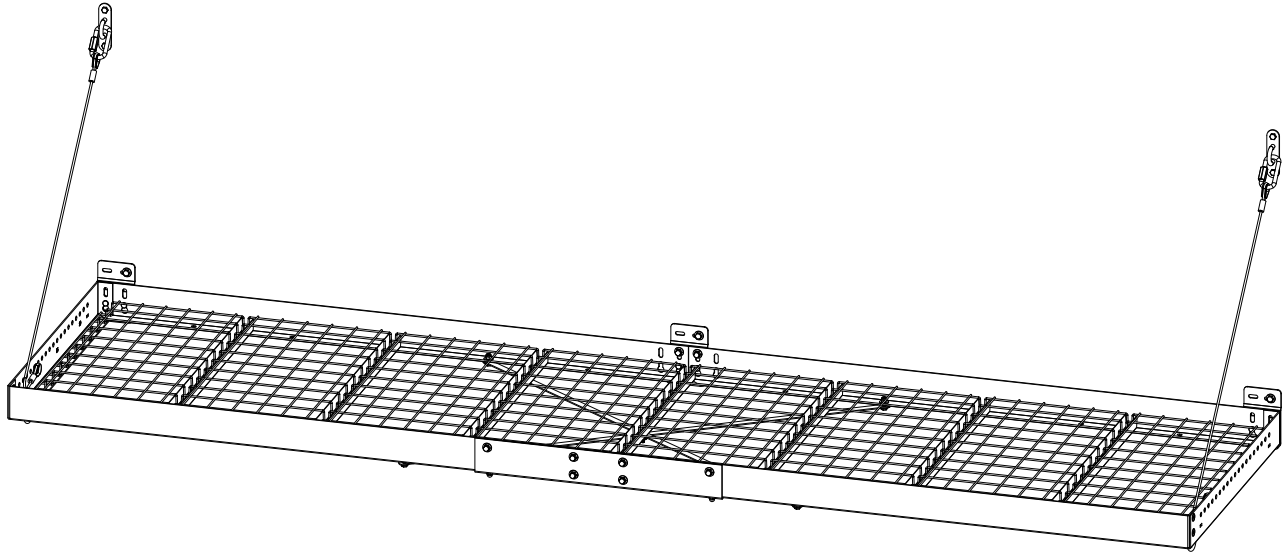
- 4** Attach the Rear Perimeter Beam followed by the Side Perimeter Beam. Bolt together the 2ftx4ft Wall Mounted Shelf Front Perimeter Beam with the Side Perimeter Beam of the next Wall Mounted Shelf using one hex bolt and lock nut. Attach the Cable Assembly through both Perimeter Beams.



- 5** Proceed and complete the assembly of the second Wall Mounted Shelf beginning on Step 3 (pg.13) of the Installation Manual.

**Thank you for purchasing a NewAge Product!**  
Please give us a call or visit online if you have any questions.

Call 1.877.306.8930; for UK 0800.031.4069; e-mail us at [info@newageproducts.com](mailto:info@newageproducts.com)



# Série Pro

Etagère 2 pi x 8 pi



## **Warning: Excessive weight hazard!**

Use two or more people to move, assemble, or install Wall Mounted Shelf to avoid back or other injury. Do not leave children unattended near Wall Mounted Shelf. High risk of items falling if Wall Mounted Shelf is installed incorrectly: must be securely installed to avoid serious injury. For assistance, call 1.877.306.8930; e-mail at [info@newageproducts.com](mailto:info@newageproducts.com).



## **ATTENTION:**

Is your Wall Mounted Shelf damaged?  
Need help or spare parts?  
For fastest service, contact NewAge Products at 1-877-306-8930; or [support@newageproducts.com](mailto:support@newageproducts.com).  
Do not return to the retailer.

# INDEX

## **Aperçu de produit:**

[Avertissement de sécurité - 3](#)

[Outils nécessaires - 5](#)

[Quantités incluses - 6](#)

[Pièces de rechange - 7](#)

[Capacité de poids - 8](#)

[Aperçu de l'installation - 9](#)

## **Aperçu de l'installation:**

[Options d'installation - 10](#)

**[Configuration du mur: Emplacement d'installation - 11](#)**

**[Configuration de plafond: Emplacement d'installation - 12](#)**

[Installation des supports muraux et de la poutre arrière - 13, 14](#)

**[Configuration murale: Installation de la plaque à oeil de protection - 15](#)**

[Poutre périmétrique et câble - 16](#)

**[Configuration de plafond: Installation de la plaque à oeil de protection - 17](#)**

[Poutre périmétrique et câble - 18](#)

[Assemblage de câble - 18](#)

[Assemblage de support en croix - 21](#)

[Supports de grille et grilles métalliques - 21, 22](#)

## **Conseils d'installation**

[Espacement des solives irrégulières - 23](#)

[Fixation aux solives d'ingénierie - 25](#)

[Raccordement mural des étagères horizontalement - 26](#)

[Raccordement vertical des étagères - 27](#)

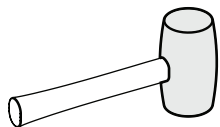
[Ensemble de coin - 28,29](#)

# **ALERTE DE SÉCURITÉ**

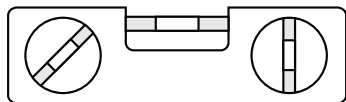
## **VEUILLEZ LIRE CE PREMIER**

1. Toutes les étagères ont une capacité de charge nominale de 600 livres, uniformément répartie, à l'aide de tire-fonds de 3 po, ancrés dans des montants en bois massif ou d'ancrages à béton de 3 po dans des supports en béton solides capables de supporter une telle charge.
2. Chaque crochet utilitaire pour l'étagère peut contenir un maximum de 50 lb. Le poids total de crochet utilitaire doit être inclus dans la charge maximale de 600 lb du rack suspendu.
3. Ne chargez pas plus de 600 lb sur une étagère. Les charges actives (personnes, animaux domestiques, etc.) peuvent peser moins que la capacité de poids nominale, mais exerceront une force sur le rack au-delà de sa capacité nominale. En tant que tel, ne vous tenez pas debout, ne sautez pas et ne vous suspendez pas à votre étagère murale.
4. Les étagères doivent être installées dans des solives ou des supports de sol / mur / plafond. NewAge Products Inc. ne prétend pas à la capacité ni à la résistance de la structure sur laquelle les unités sont montées.
5. NewAge Products Inc. ne peut être tenu responsable des défaillances de la structure, des dommages ou des blessures résultant d'une défaillance de la structure..
6. Inspectez toujours la structure du plafond et du mur pour vous assurer qu'il existe des supports appropriés
7. L'étagère est conçue pour être installée dans des solives / des montants en bois et du béton plein. Ne pas essayer de monter sur des poutres en acier.
8. Assurez-vous que tout le poids est réparti uniformément sur le rack. Placez des objets plus lourds près du cadre périphérique et croisez les supports avec des objets plus légers au centre.
9. Ne sautez pas et ne montez pas sur votre étagère.
10. Ne vous appuyez pas sur une échelle contre l'étagère.
11. Inspectez régulièrement votre système pour vous assurer que tous les composants sont correctement fixés.

# Les outils nécessaires



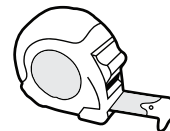
Maillet en caoutchouc



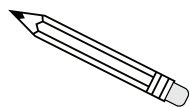
Niveau magnétique



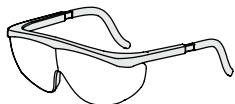
Localisateur de montants



Ruban à mesurer



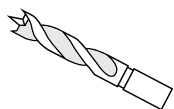
Crayon



Lunettes de protection



7/16" & 1/2"  
Douille



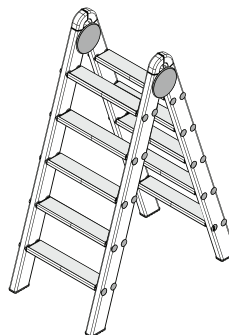
Foret de 3/16"



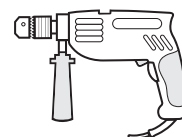
7/16" & 1/2"  
Clé à douille



Perceuse-visseuse électrique



Échelle



**1 x** Marteau perforateur



**1 x** Mèche à béton

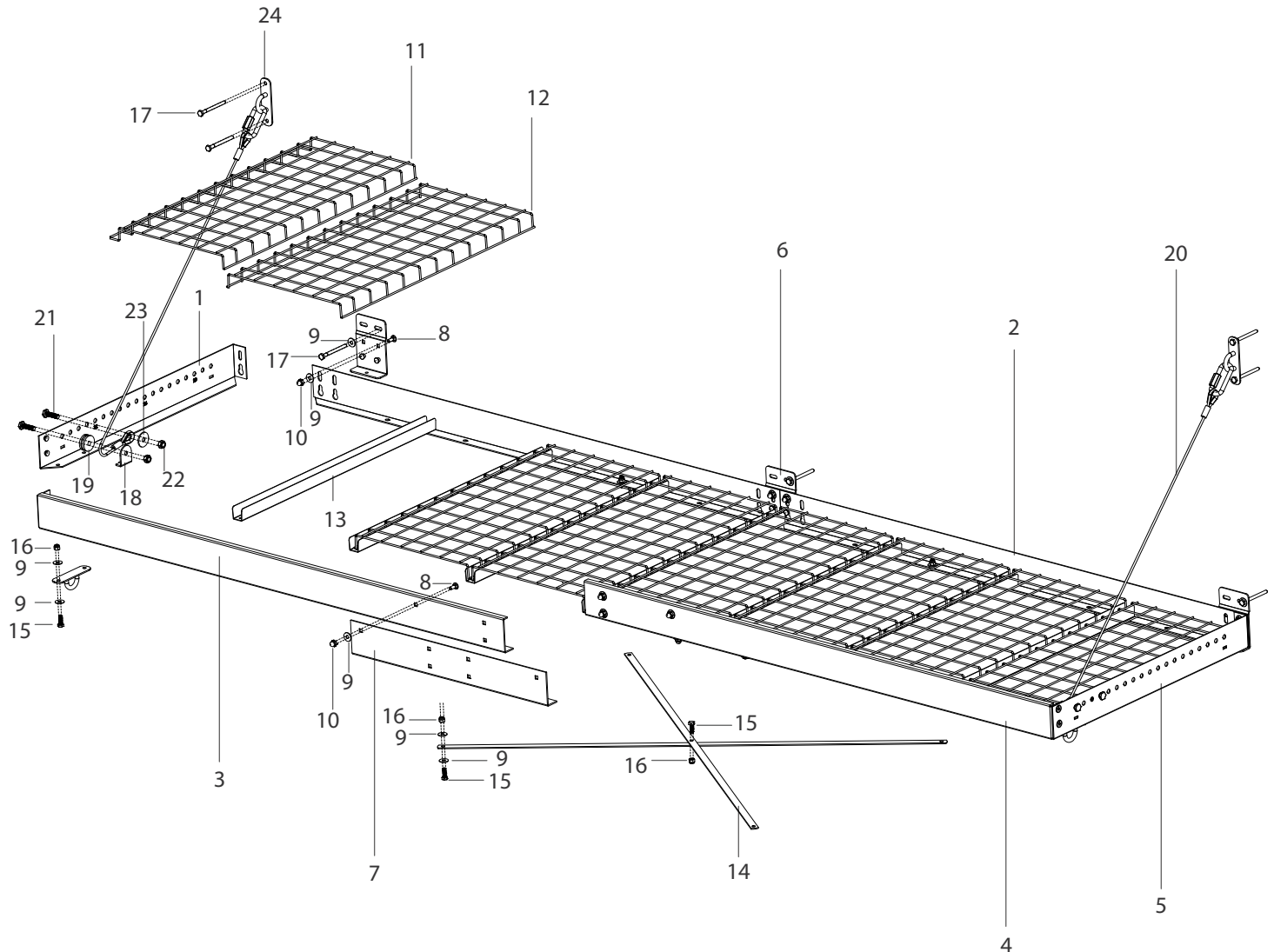


# Included Quantities

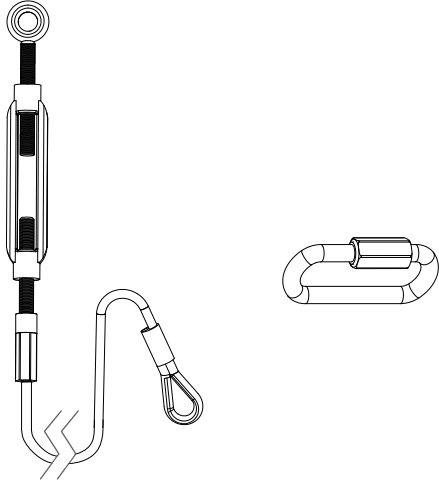
## 2x8ft Pro Series Wall Mounted Shelf

Numéro de pièce	DESCRIPTION	QTE.
WSH-02A-01-XX	Etagère murale série Pro. 2 pi x 8 pi	
WSH-02.001A-01-XX	1 Faisceau latéral -2 pi - Coté gauche	1
WSH-01.005A-01-XX	2 Poutre arrière	2
WSH-01.002A-01-XX	3 Poutre en forme"C" - Coté gauche	1
WSH-01.001A-01-XX	4 Poutre en forme"C" - Coté droit	1
WSH-02.002A-01-XX	5 Faisceau latéral - 4 pi - Coté droit	1
WSH-01.006A-01-XX	6 Support à suspendre	3
WSH-01.007A-01-XX	7 Support de raccordement en forme - L -	1
H00001A-01	8 1/4-20x0.625in Boulons de carrosserie	12
H00002A-01	9 1/4in Rondelle plat	31
H00003A-01	10 1/4-20 Ecrou dôme	12
WSH-02.003A-01-XX	11 Section de grille - 2 pi	2
WSH-02.004A-01-XX	12 Section de grille au milieu - 2 pi	6
WSH-02.005A-01-XX	13 Supports de grille en forme de 'U'	7
WSH-02.006A-01-XX	14 Support croisé - 2 pieds	2
H00004A-01	15 1/4-20x0.75in Boulon Hexagonale	9
H00005A-01	16 1/4-20 Ecrou de blocage	9

Numéro de pièce	DESCRIPTION	QTE.
H00009A-01	17 1/4 x 3in Tire Fond	7
WSH-01.012A-01-XX	18 Capuchon de câble de poulie	2
WSH-01.013A-01	19 Poulie	2
WSH-02.007A-01	20 Assemblage de câble métallique - 2 pieds	2
WSH-02.007.01A-01	Câble métallique - 2 pieds	2
WSH-01.014.02A-01	Manchon en aluminium	4
WSH-01.014.07A-01	Maillon Rapide	2
WSH-01.014.08A-01	Maillon Rapide- cylindre d'ouverture / fermeture	2
WSH-01.014.03A-01	Manchon pour câble	4
H00006A-01	21 5/16-18x1.25in Boulon Hexagonale	4
H00007A-01	22 5/16-18 Ecrou de blocage	4
H00008A-01	23 5/16in Rondelle Plat	2
WSH-01.015A-01	24 Plaque à œillet	2
H00010A-01	25 Ancre en béton	7



# Pièces de rechange



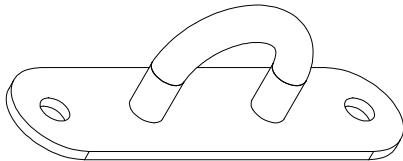
**SKU 40480**

**Part # : WSH-01.014A-01**

**L'assemblage de poulie**

- L'assemblage
  - Cable 4mm
  - Tendeur
  - Crampon on forme de C
  - Connecteur serti

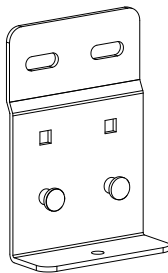
- Maillon Rapide



**SKU 40482**

**Part # : WSH-01.015A-01**

**Plaque à oeillet**



**SKU 40484**

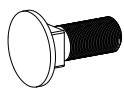
**Part # : WSH-01.006A-01-BS**

**Noir - Supports de suspension arrière**

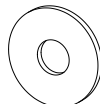
**SKU 40485**

**Part # : WSH-01.006A-01-WH**

**Blanc-Supports de suspension arrière**



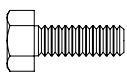
Boulons de carrosserie  
(1/4" dia x 3/4")



Rondelle(1/4")



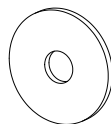
Écrou à dôme  
(1/4")



Boulons Hexagonale  
(5/16" dia x 1.25")  
(1/4" dia x 0.75")



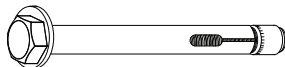
Ecrou de blocage  
(5/16")  
(1/4")



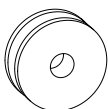
Rondelle  
(5/16")



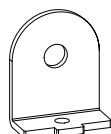
Tire Fond(1/4" dia x 3")



Ancre en béton  
(M6 x 3")



Poulie



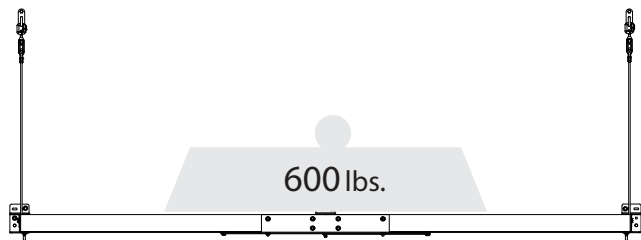
Capuchon de câble de poulie

**SKU 40483**

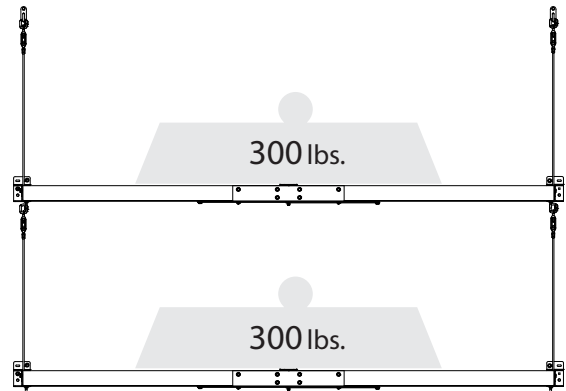
**Boîte de matériel**

- 1/4-20 x 0.625in Boulon de carrosserie
- 1/4in Rondelle plate
- 1/4-20 Ecrou à dôme
- 1/4-20 x 0.75in Boulons Hexagonale
- 1/4-20 Ecrou de blocage
- 5/16-18x1.25in Boulons Hexagonale
- 5/16-18 Ecrou de blocage
- 5/16in Rondelle plate
- 1/4 x3in Tire fond
- Ancre en béton
- Poulie
- Capuchon de câble de poulie

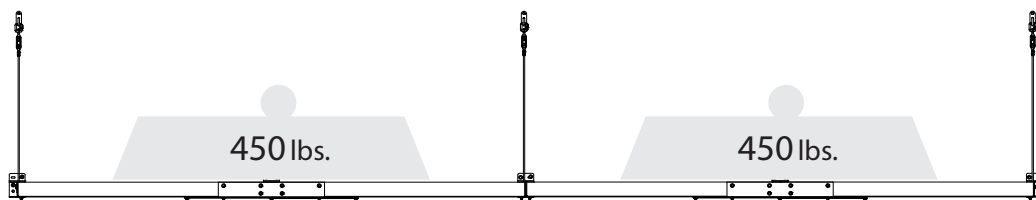
# Capacité de poids



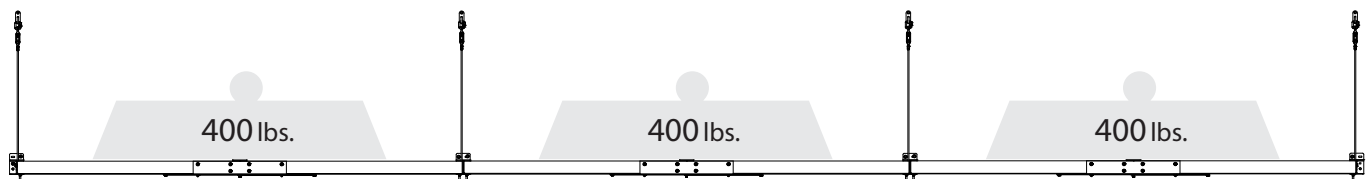
Une seule étagère



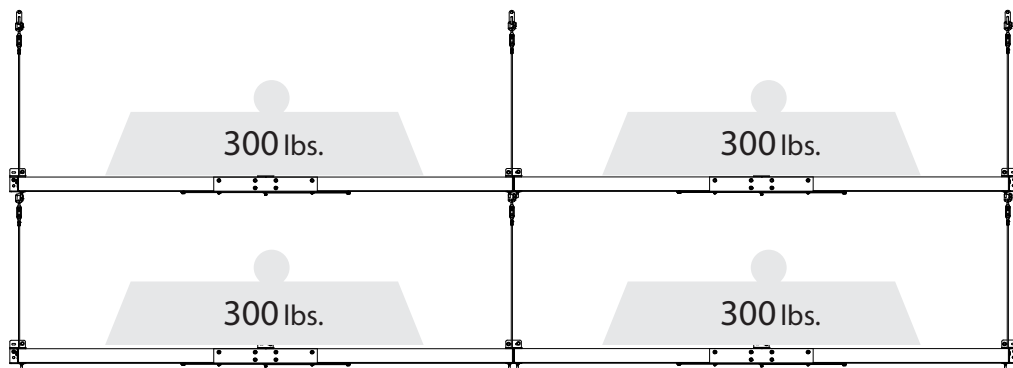
Deux étagères murales reliées installées verticalement



Deux étagères murales reliées installées horizontalement



Trois étagères murales reliées installées horizontalement



Quatre étagères murales reliées installées verticalement ou horizontalement

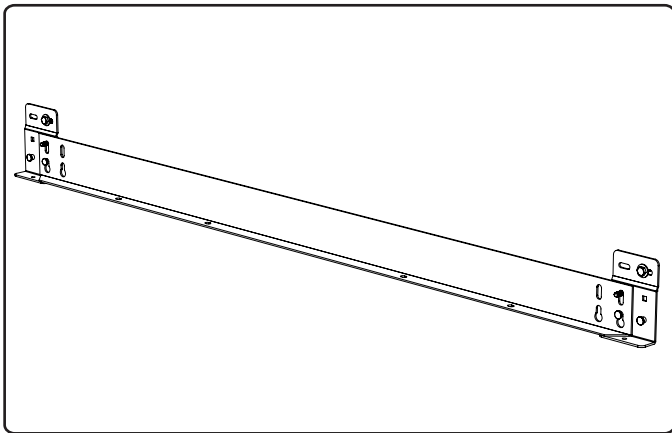
**Avertissement de sécurité:** Toutes les étagères murales ont une capacité de charge nominale de 600 livres, uniformément répartie, à l'aide de tirefonds de 3 "ancrés dans des poteaux en bois massif ou des supports en béton capables de supporter une telle charge. Assurez-vous que tout le poids est réparti uniformément sur le rack. Placez des objets plus lourds près du cadre périphérique et croisez les supports avec des objets plus légers au centre.

# Vue d'ensemble de l'installation d'une étagère murale

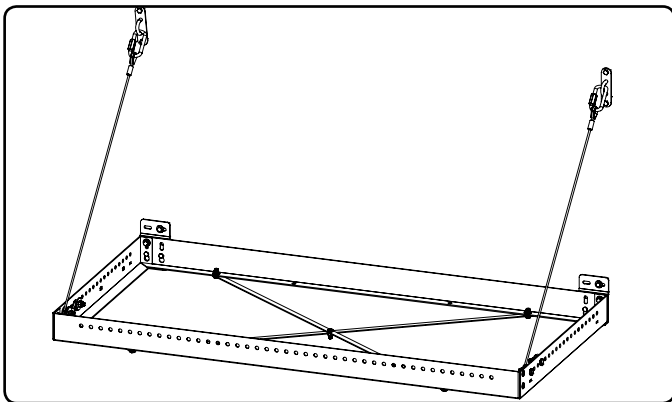
- 1** Déterminez votre configuration préférée avant de commencer l'assemblage. (Voir:Page 10)

- Les fixations murales doivent être entièrement fixées aux montants à l'aide d'un tire-fond chacune ou au mur en béton à l'aide d'une ancre.
- **Lisez tout le manuel d'instructions avant de commencer l'installation.**

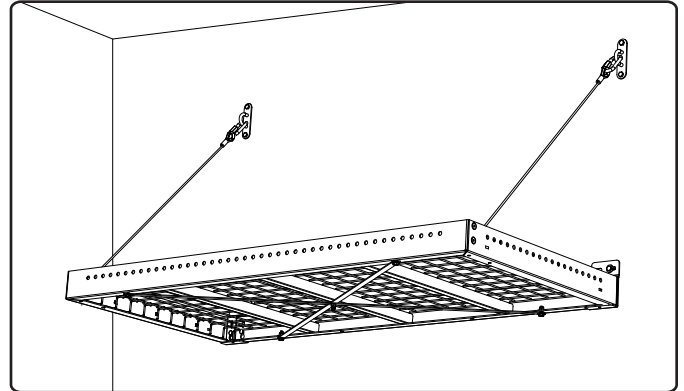
- 3** Installez les supports muraux et la poutre du cadre arrière sur le mur à une hauteur déterminée. (Voir:Page 13-14)



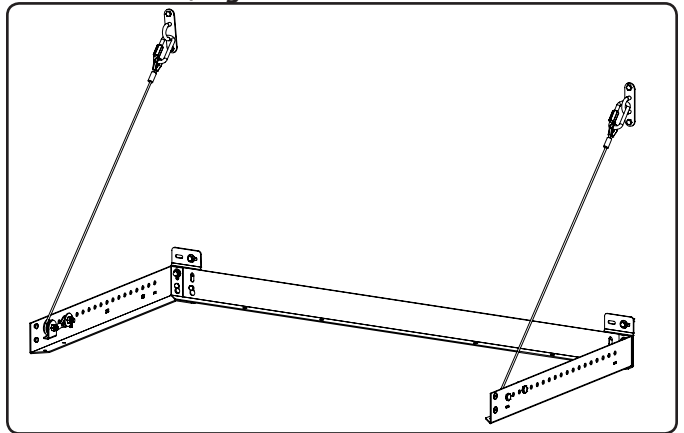
- 5** Installez les poutres périmétriques avant et les supports croisés. (Page 20-21)



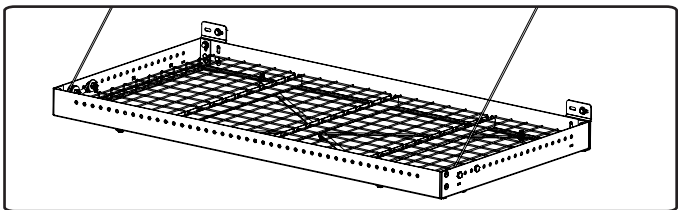
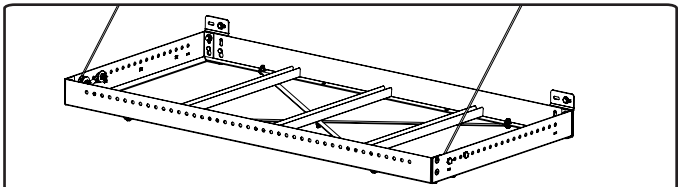
- 2** Planifiez l'emplacement de votre tablette murale, déterminez l'orientation et vérifiez l'espacement des montants. (Voir:Page 11-12)



- 4** Installez la plaque à œillet de protection et les poutres latérales avec les assemblages de câbles. (Page 15-19)



- 6** Placez les supports de grille suivis par les grilles en acier pour terminer l'installation de l'étagère murale. (Voir: Page 21-22)



## Remarque:

Si vous installez les câbles du support mural au mur, commencez à la page 11. Si vous installez les câbles du support mural au plafond, commencez à la page 12.

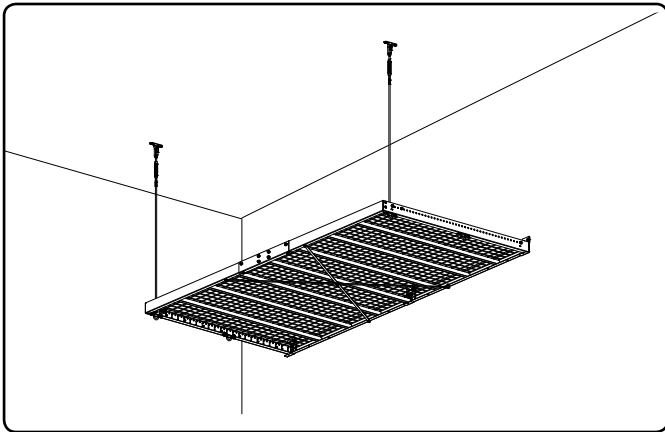
# Options d'installation pour l' étagère murale

**i Informations importantes:** Veuillez lire le manuel en entier avant de commencer l'installation.

- Les mises en page présentées ne sont que des exemples.
- Ne dépassez pas la capacité de poids total de l'étagère.
- Planifiez la disposition et mesurez l'espace pour le dégagement et l'espacement des poteaux avant l'installation.
- Assurez-vous que la tablette murale est bien installée sur la structure appropriée.

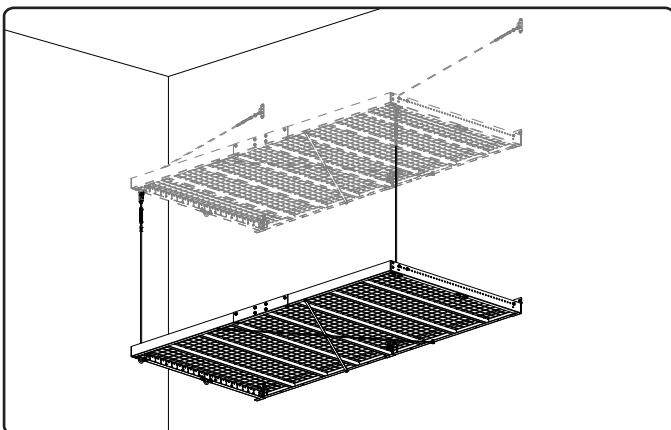
## **Option B.**

Étagère murale simple fixée au plafond. La distance du plafond est réglable de 18 po à 33 po (à partir de la page 12, option B)



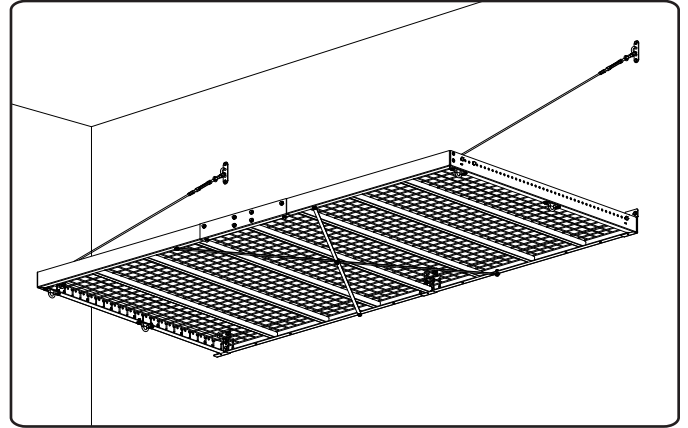
## **Option D.**

Raccordement vertical des étagères murales (Page 27)



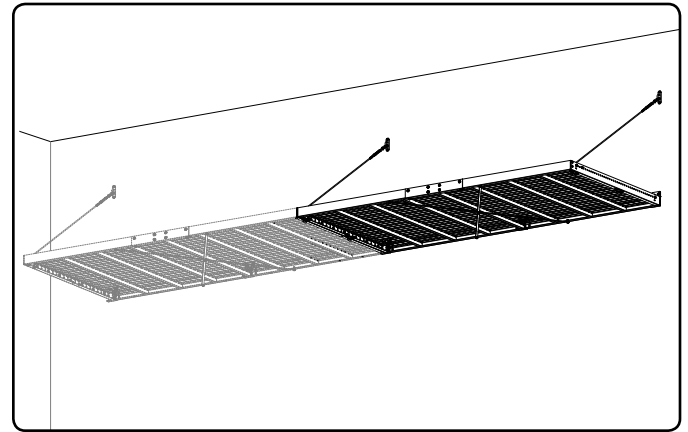
## **Option A.**

Étagère murale simple fixée au mur. (Commencez à la page 11, option A)



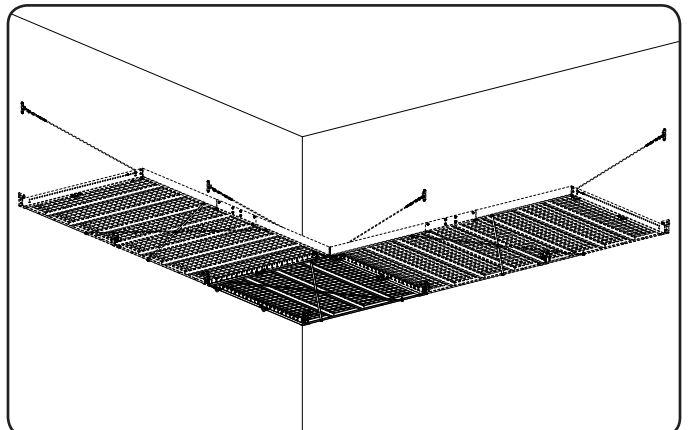
## **Option C.**

Connexion des étagères murales horizontalement. (Page 26)



## **Option E.**

Étagère murale d'angle (Page 28)



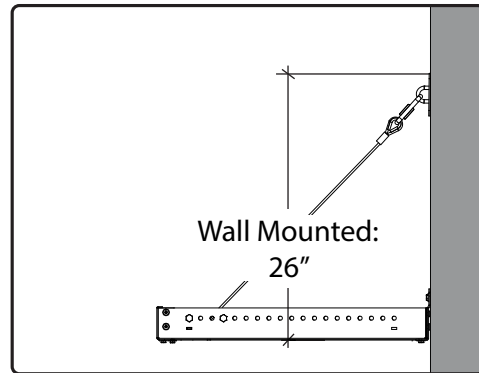
# Planifier l'emplacement d'installation

## Option A: Installation d'une étagère murale au mur

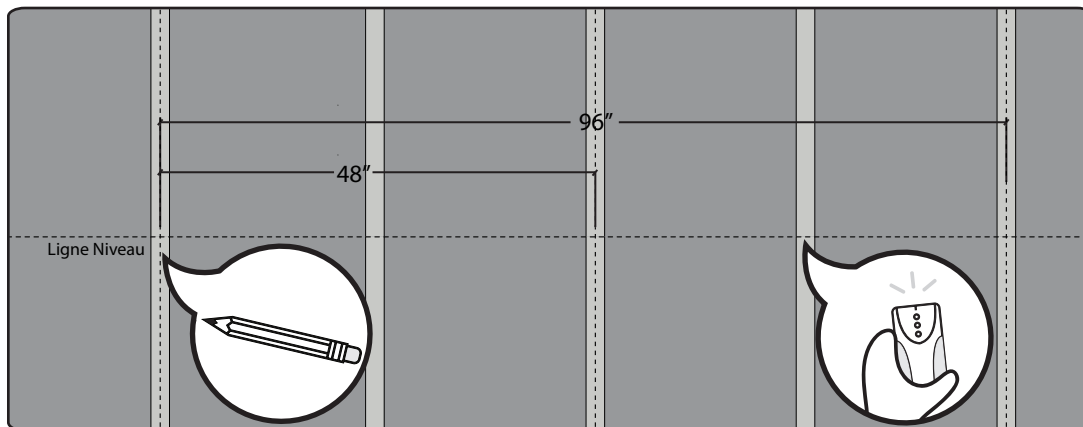
**1A** Une fois que vous avez déterminé que votre étagère murale sera installée contre le mur, vérifiez que le dégagement est suffisant. Marquez la position souhaitée du bas de la tablette murale avec une ligne horizontale de niveau sur le mur.

### Remarque:

- Les configurations murales nécessitent plus de 26 po entre le plafond et le bas de l'étagère murale.

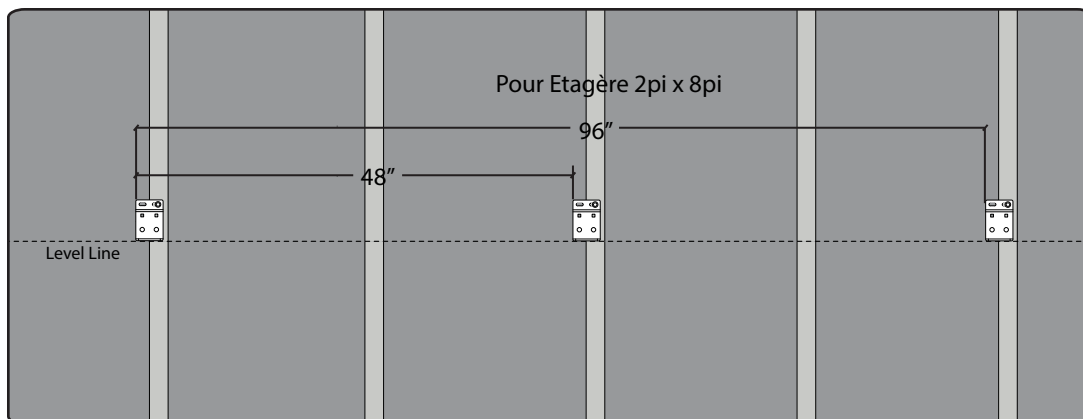


**2A** À l'aide d'un détecteur de montants, repérez et marquez la position centrale des montants sur le mur. Vérifiez l'espacement de vos poteaux muraux et assurez-vous qu'ils correspondent à la taille de votre installation.



### Remarque:

Si l'espacement de vos poteaux ne correspond pas aux emplacements d'installation, veuillez vous reporter à la section Installation d'un support mural à la page 25.



### Remarque:

Les supports de fixation muraux extérieurs doivent être placés à 96 po des centres les uns des autres.

Les supports de fixation au mur intérieur doivent être placés à 48 pouces des centres les uns des autres.

### Remarque:

Passez à la page 13 pour continuer l'installation du mur.

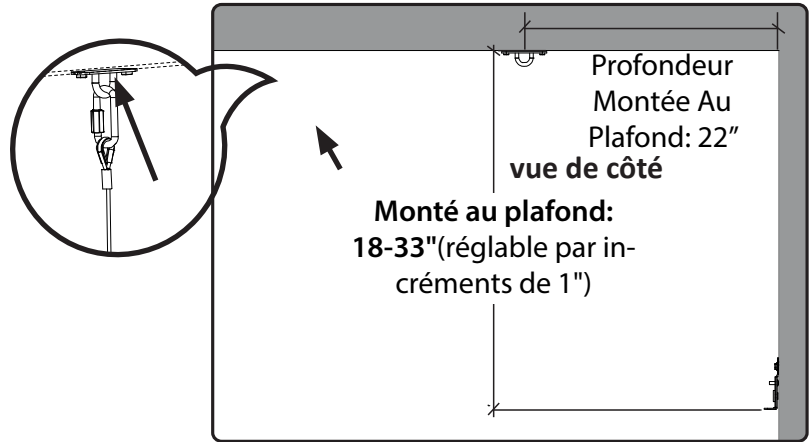
# Planifier l'emplacement d'installation

## Option B: Installation d'une étagère murale au plafond

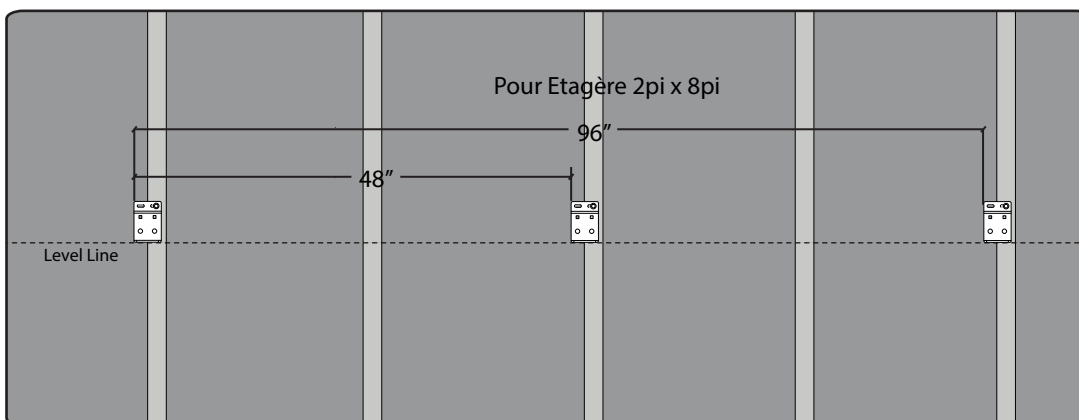
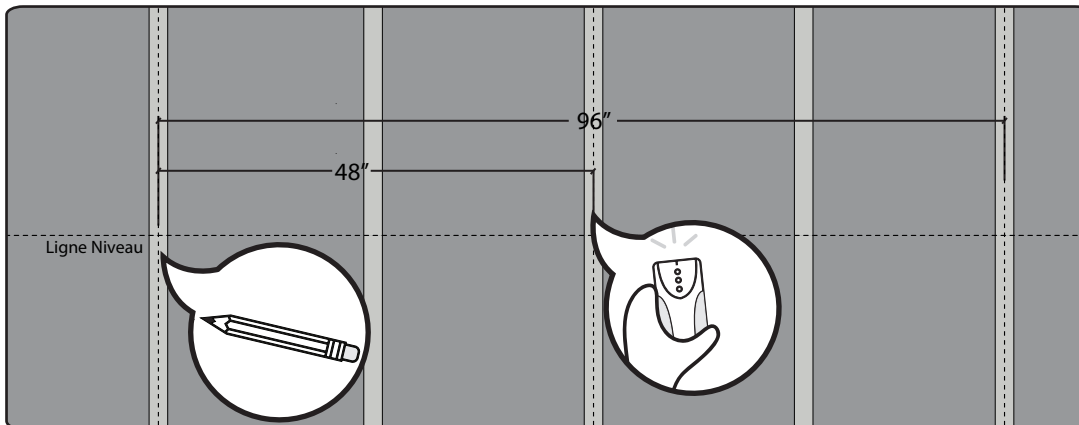
**1B** Une fois que vous avez déterminé que votre étagère murale sera installée au plafond, vérifiez que le dégagement est suffisant. Marquez la position souhaitée du bas de la tablette murale avec une ligne horizontale de niveau sur le mur.

### Remarque:

- Les configurations montées au plafond peuvent aller de 18 à 33 pouces (**Réglable par incréments de 1"**)
- Le centre des plaques à œillet montées au plafond doit se situer à 22 po du mur arrière.



**2B** À l'aide d'un détecteur de montants, repérez et marquez les montants sur le mur. Vérifiez l'espacement de vos solives de plafond et assurez-vous qu'elles correspondent à la taille de votre installation.



### Remarque:

Si la structure de votre plafond utilise des solives d'ingénierie, veuillez vous reporter à la section «Fixation aux solives d'ingénierie» à la page 25.

Si l'espacement de vos poteaux ne correspond pas aux emplacements d'installation, veuillez vous reporter à la section Installation d'un support mural à la page 25.

### Remarque:

Les supports de fixation muraux extérieurs doivent être placés à 96 po des centres les uns des autres.

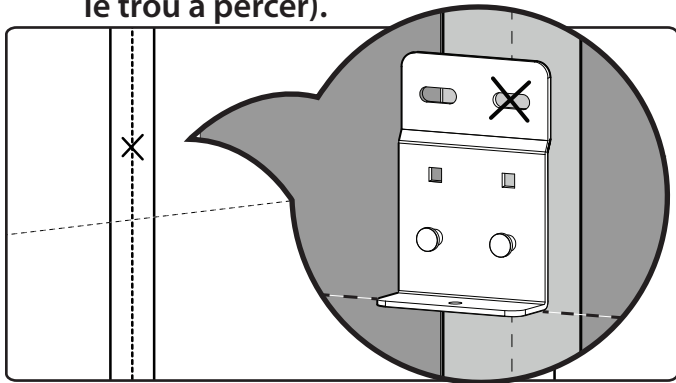
Les supports de fixation au mur intérieur doivent être placés à 48 pouces des centres les uns des autres.

### Remarque:

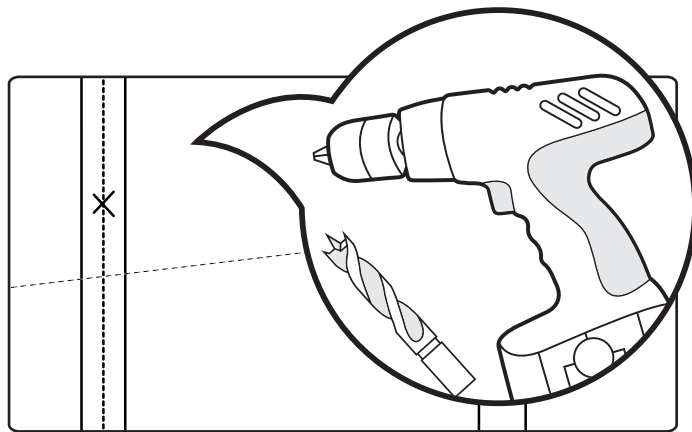
Continuez à la page 13 pour l'installation restante du plafond.

# Installation de supports muraux et de poutre arrière

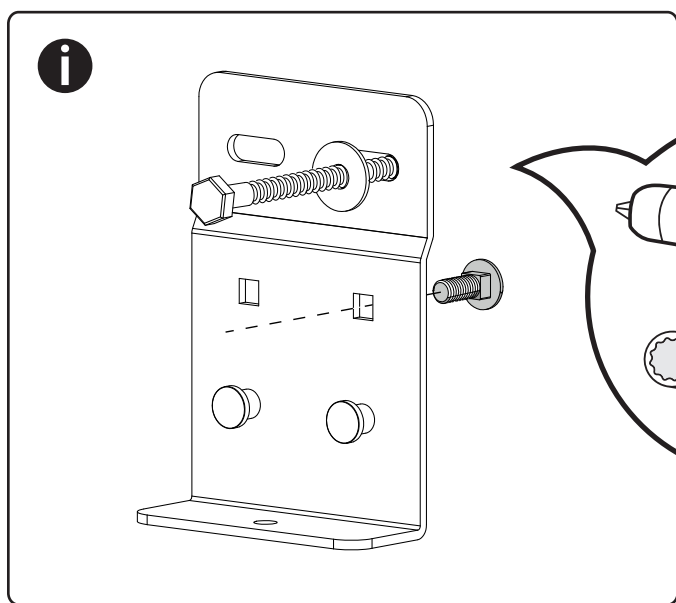
- 3** Commencez l'installation avec le support de suspension central. Alignez le bas du support de montage mural (n° 6) avec la ligne de niveau inférieure et le centre du montant mural avec le centre de la fente horizontale du support de fixation (marquez le trou à percer).



- 4** Percez un avant-trou avec un foret de 3/16".  
**Remarque:** le trou pilote doit percer dans 3 pouces de bois massif pour que la vis tire-fond soit complètement sécurisé.



- 5** **i** Insérez deux boulons de carrosserie (n° 8) dans le support de fixation mural du milieu. Fixez le support de fixation murale au goujon à l'aide d'une vis tire-fond 3 pouces (n° 17), d'une rondelle de 1/4" (n° 9) et d'une douille 7/16". **Remarque:** Si vous connectez au moins deux étagères murales horizontalement, reportez-vous à la page 26 avant d'installer le support.



**!** **Attention:** Assurez-vous que les tirefonds sont bien serrés contre le goujon, mais ne serrez PAS trop les tirefonds.

Si les tirefonds sont trop serrés, ils risquent de se briser ou des filets endommagés.

## **i** Maçonnerie

- Suivez les étapes 1 à 11.
- Percez des avant-trous dans les emplacements marqués avec une perceuse à percussion et un foret de maçonnerie de 5/16 po
- Utilisez une ancre en béton pour chaque trou pilote.

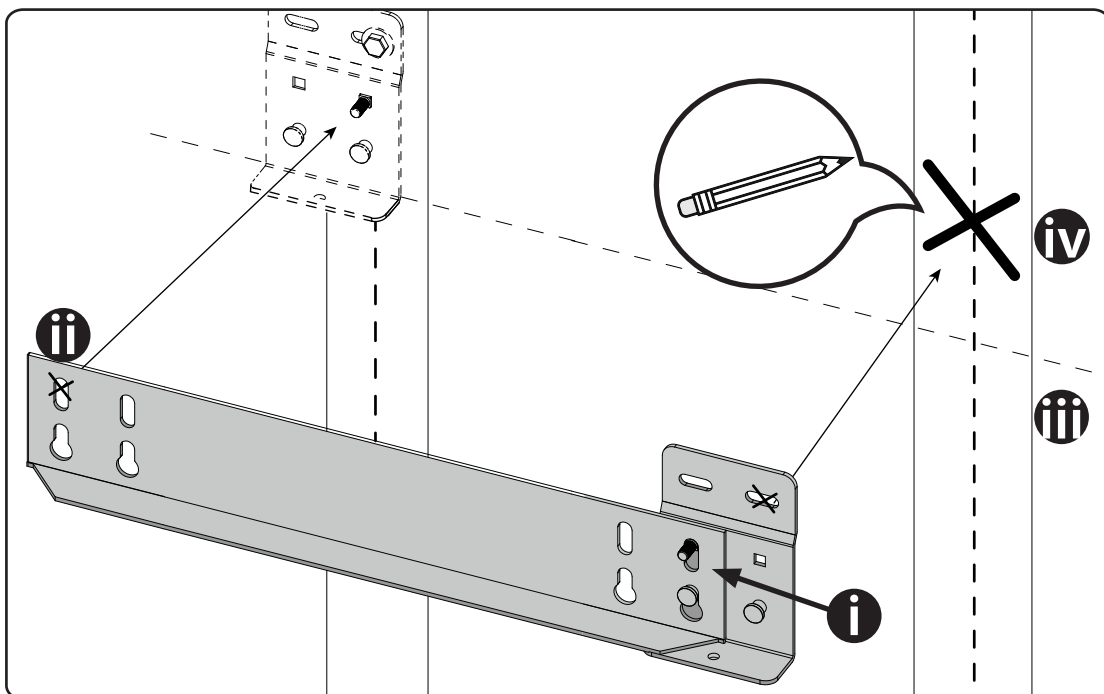


**6** Marquez l'emplacement suivant pour le trou pilote à l'aide du support de fixation mural (n° 6) et de la poutre périphérique arrière (n° 2). Suivez les étapes (i) à (iii) ci-dessous.

**i** Insérez le support de fixation murale et le boulon de carrosserie sur le faisceau de périmètre arrière.

**ii** Montez la poutre de périmètre arrière sur le support de montage mural précédemment installé.

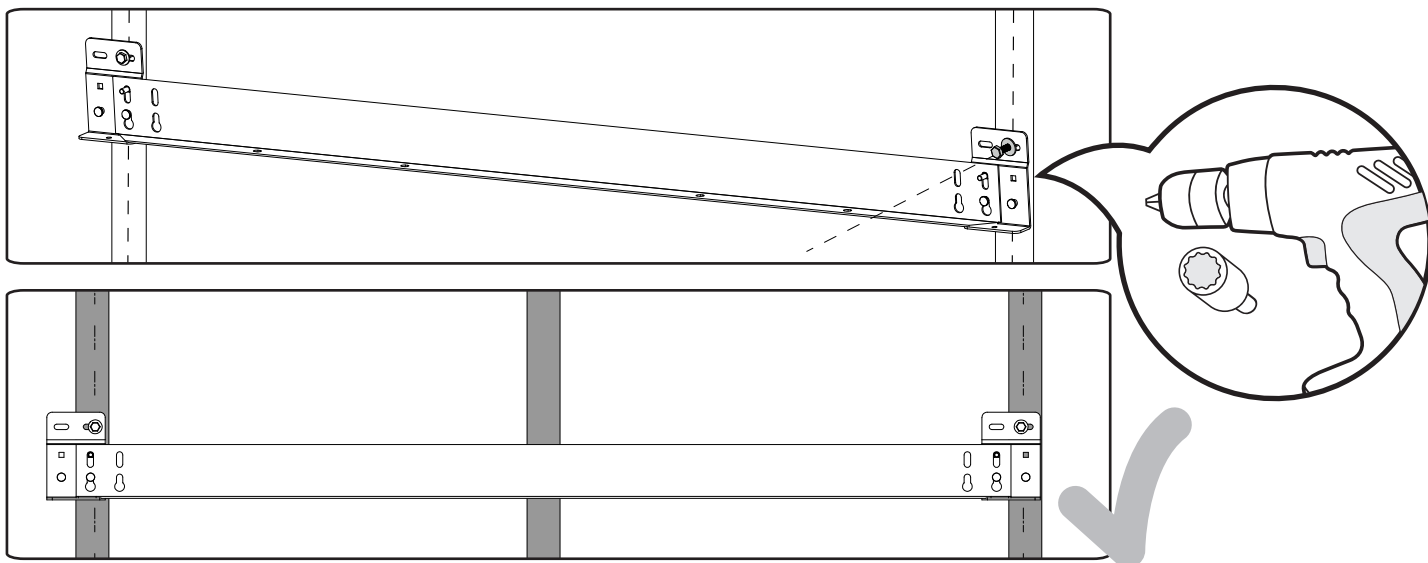
**iii** Alignez le support avec la ligne de niveau tracée à partir de l'étape 2.



**iv** Tracez des lignes centrales le long des emplacements des poteaux (comme montré ci-dessus).  
Note: Si l'espacement de vos montants n'est pas aligné sur les emplacements d'installation, reportez-vous à la section relative à l'installation d'un support de mur à la page 25.

**Remarque:** N'installez pas d'écrou sur les boulons de carrosserie avant l'étape 15.

**7** Percez un avant-trou de 3/16" et fixez le support de fixation murale dans le montant à l'aide d'un tire-fond de 3" (n° 17), d'une rondelle de 1/4" (n° 9) et d'une douille de 7/16". Assurez-vous que le boulon de carrosserie (n° 8) est monté avant d'installer le support.



**8** Répétez les étapes 6 et 7 pour le côté opposé ou connectez plusieurs étagères murales horizontalement. Boulonnez le centre des poutres du périmètre arrière sur le support de montage mural avec deux rondelles de 1/4" (n° 9) et deux écrous borgnes de 1/4" (# 10).

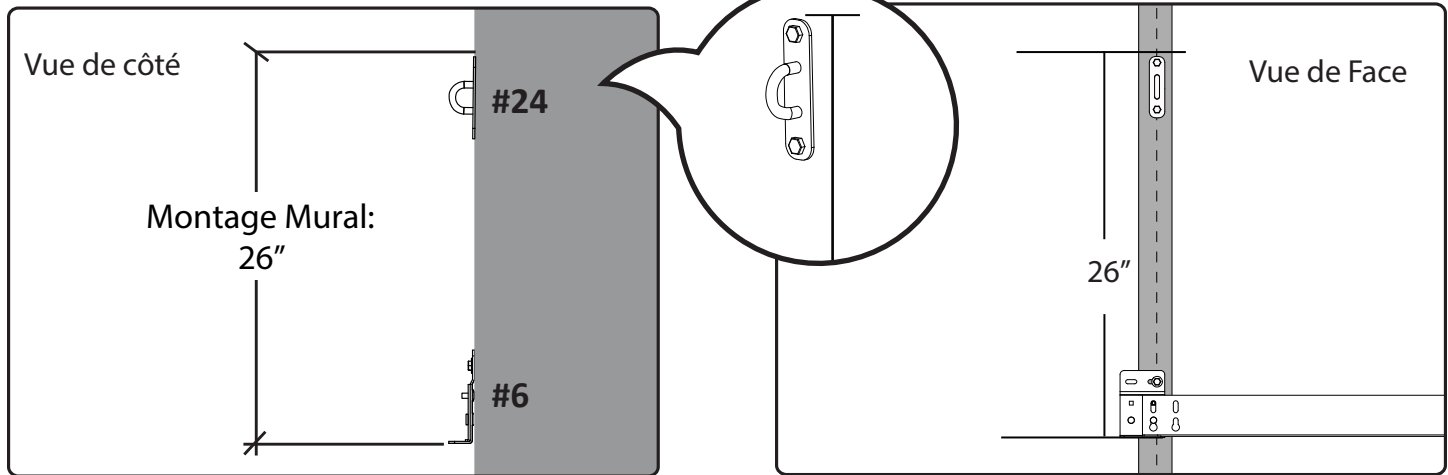
**Remarque:**

Pour continuer l'installation murale, passez à la page 15. Pour continuer l'installation au plafond, passez à la page 17.

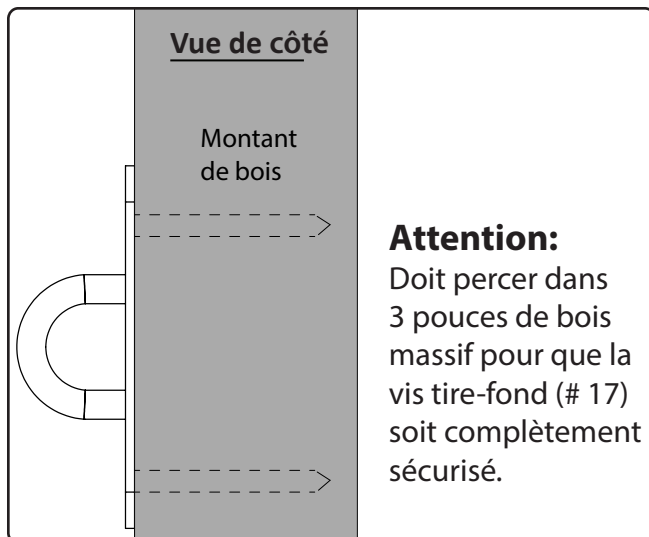
# L'installation du plaque à ouillet

## Option A: Configuration du mur

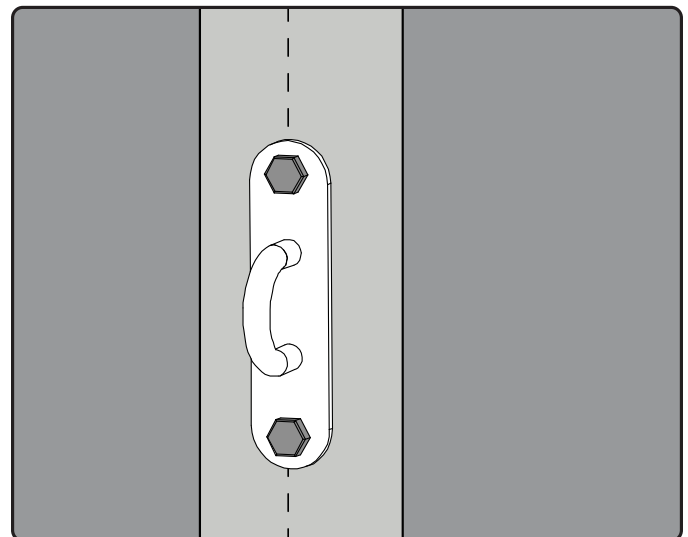
- 9A** **Montage Mural:** Mesurez et marquez 26 pouces verticalement du bas du support mural (n° 6) au sommet de la plaque à oeillets (n° 24). Alignez la plaque à oeillets (n° 24) sur le centre du goujon et le haut de la plaque à oeil sous la ligne de niveau et marquez le mur pour les trous pilotes.



- 10A** Percez des avant-trous dans le bois massif à l'aide d'un foret de 3/16".



- 11A** Fixez la plaque à oeillets (n° 24) au poteau ou à la solive à l'aide de deux tire-fond de 3 po (n° 17) et d'une douille de 7/16".



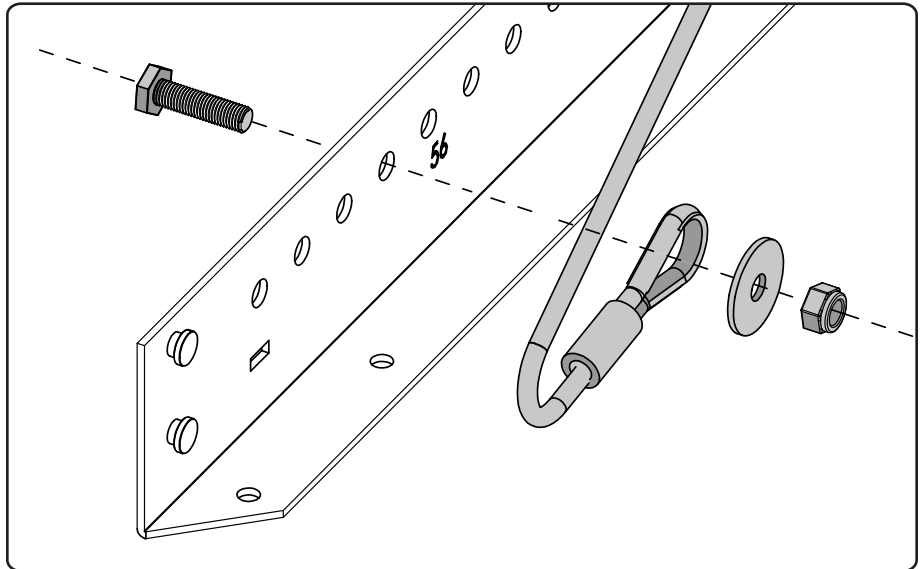
# Poutre périmétrique et câble

## Option A: Configuration du mur

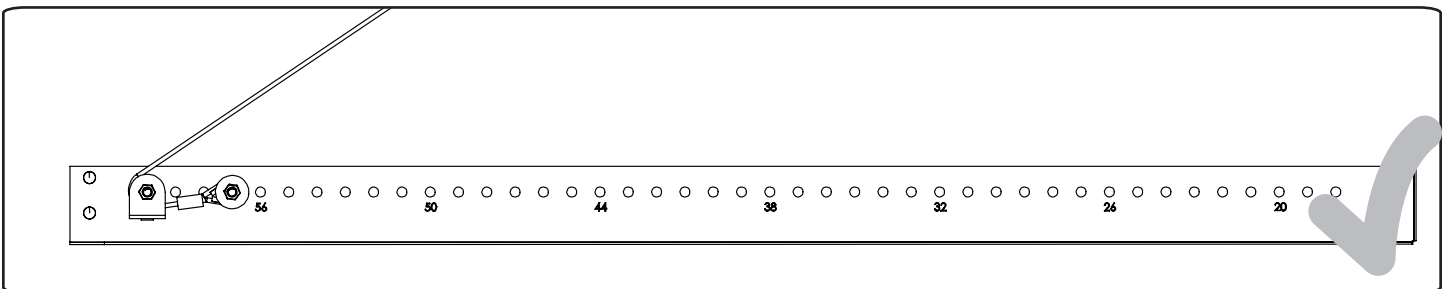
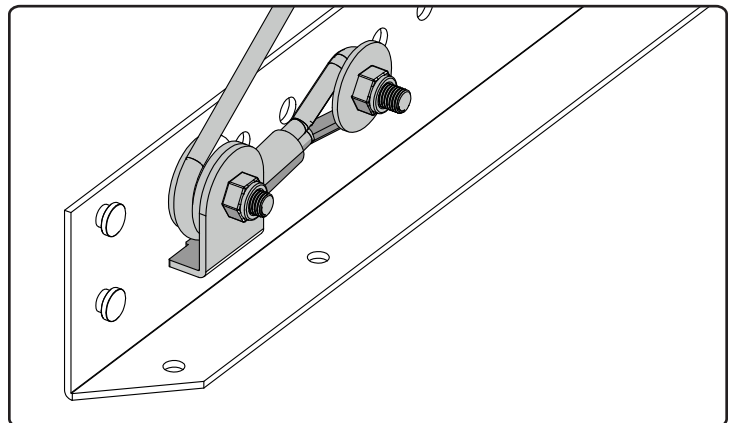
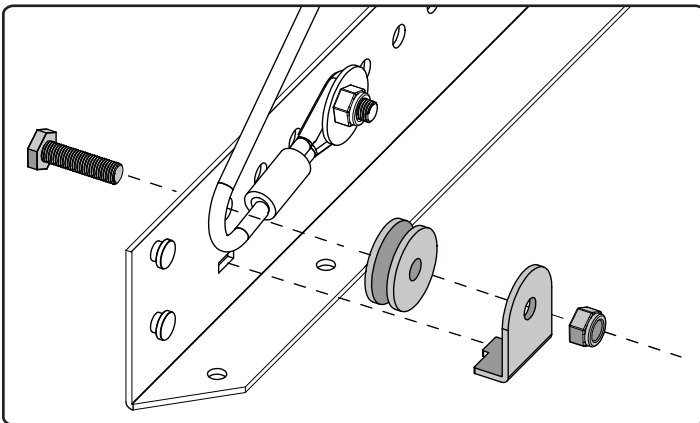
- 12A** Fixez l'œillet du câble à la poutre latérale (n° 1/ n° 5) à l'aide d'un boulon de 5/16 po (n° 21), d'un écrou (n° 22) et d'une rondelle (n° 23).

### Assemblage du câble monté au mur :

Insérez un boulon hexagonal de 5/16 po dans le 33e trou de la poutre de périmètre latérale.



- 13A** Insérez un boulon hexagonal de 5/16 po (n° 21) dans le trou avant / premier des poutres de périmètre latérales. Glissez le capuchon du câble poulie (n° 17) sur le boulon à tête hexagonale et enroulez le câble autour de la poulie (n° 18). Glissez le capuchon du câble de la poulie sur le boulon à tête hexagonale et fixez-le avec un écrou de blocage de 5/16 po (n° 22). Alignez la languette du capuchon du câble de la poulie avec la découpe dans le cadre latéral.



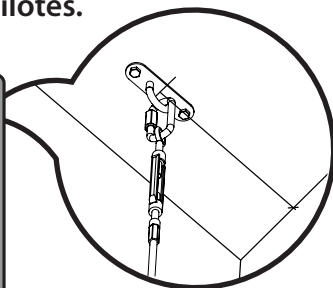
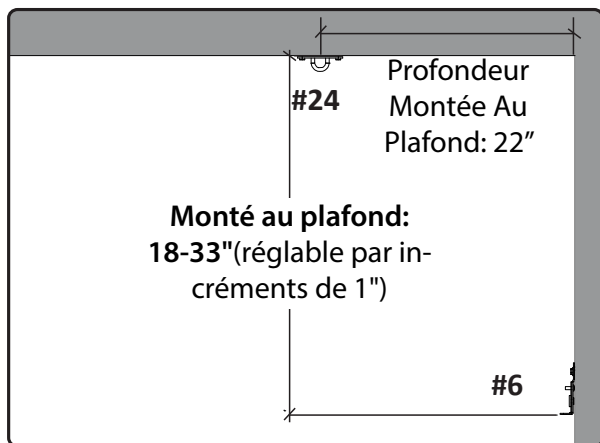
### **Remarque:**

Pour continuer l'installation murale, passez à la page 19.

# L'installation du plaque à l'œillet

## Option B: Configuration de plafond

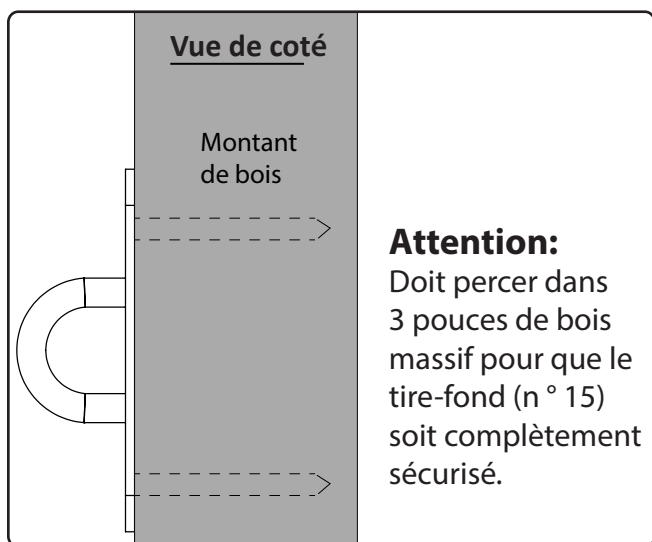
- 9B** **Montage au plafond:** Mesurez et marquez 22 po du mur, en alignement avec le support de montage mural (n ° 6) et le centre de la solive de plafond. Il s'agit du trou de plaque oculaire le plus proche (n ° 24) du mur. Alignez la plaque à œillets sur le centre de la solive de plafond et marquez le plafond pour les trous pilotes.



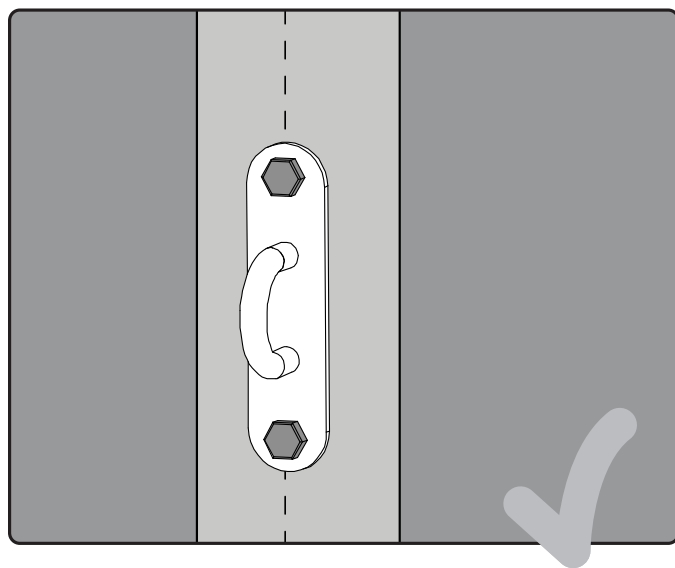
### Remarque:

Si les solives de plafond ne se trouvent pas à l'emplacement requis, reportez-vous à la section "Installation avec un espacement irrégulier des solives" à la page 23.

- 10B** Percer des trous pilotes dans les poteaux en bois à l'aide d'un foret de 3/16 "



- 11B** Fixez la plaque à œillets (n ° 24) au poteau ou à la solive à l'aide de deux tire-fond de 3 "(n ° 17) et d'une douille 7/16".



# Poutre périmétrique et assemblage de câble

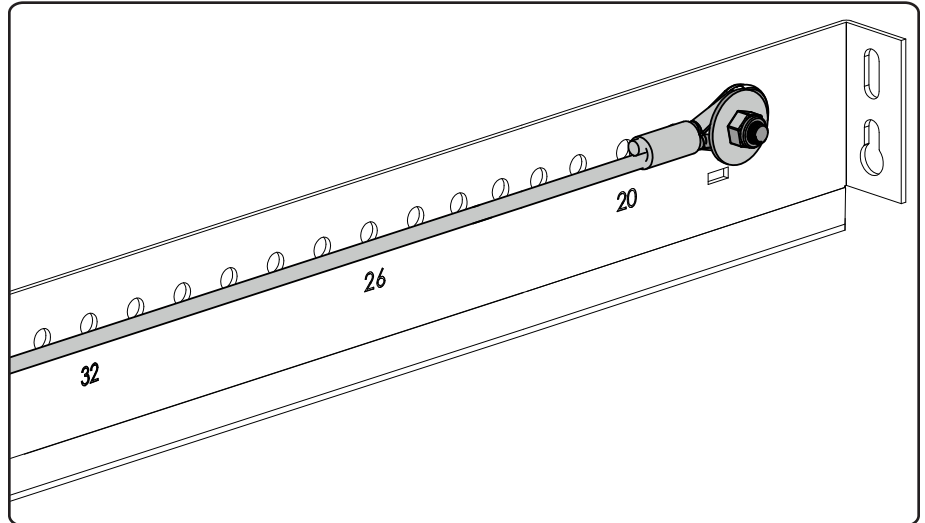
## Option B: Configuration de plafond

- 12B** Fixez l'œillet du câble à la poutre latérale (n° 1 / n° 5) à l'aide d'un boulon de 5/16 po (n° 21), d'un écrou (n° 22) et d'une rondelle (n° 23).

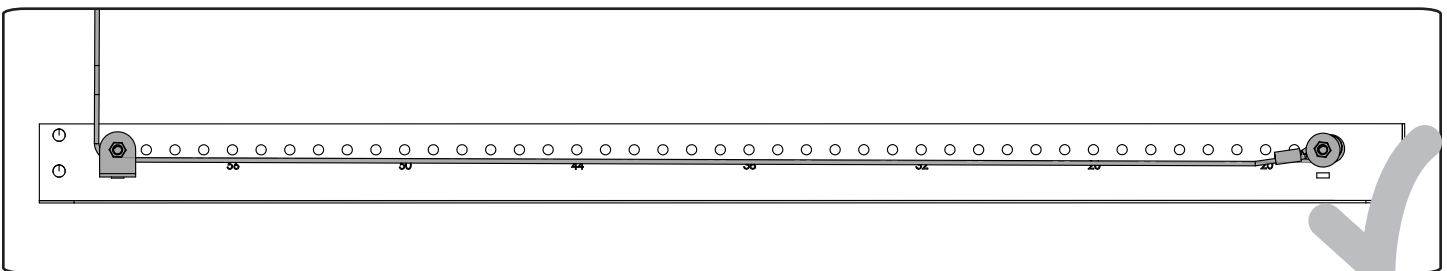
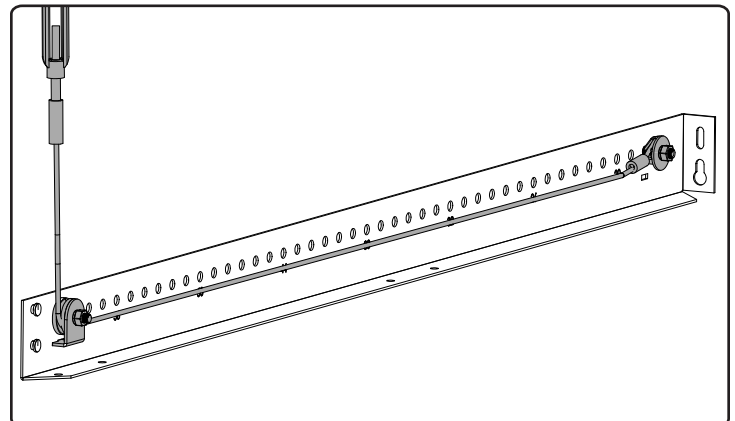
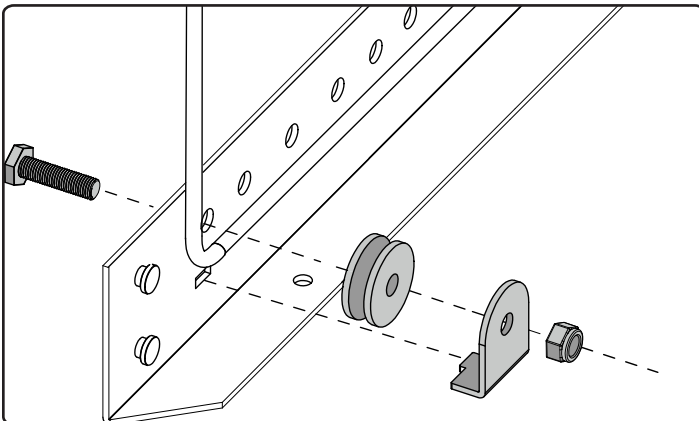
### Câble monté au plafond:

Fixez l'œillet du câble (n° 20) au trou correspondant en fonction de la distance mesurée du plafond au bas de l'étagère murale.

Exemple présenté à 18 po du plafond = trou 18.



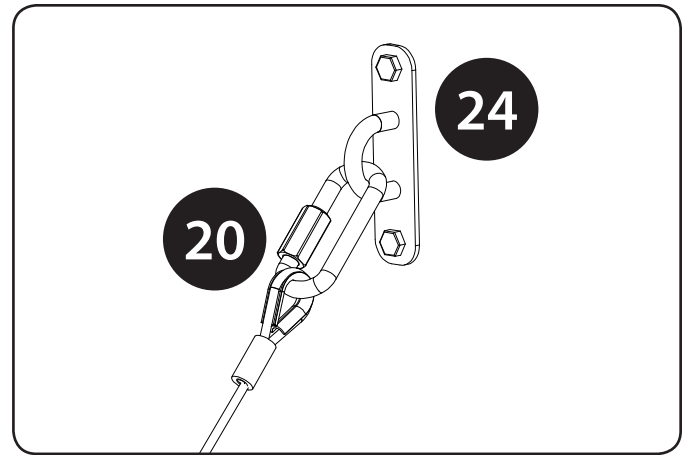
- 13B** Insérez un boulon hexagonal de 5/16 po (n° 21) dans le trou avant / premier des poutres de périmètre latérales. Glissez le capuchon du câble pouille (n° 18) sur le boulon à tête hexagonale et enroulez le câble autour de la poulie (n° 19). Glissez le capuchon du câble de la poulie sur le boulon à tête hexagonale et fixez-le avec un écrou de blocage de 5/16 po (n° 22). Alignez la languette du capuchon du câble de la poulie avec la découpe dans le cadre latéral.



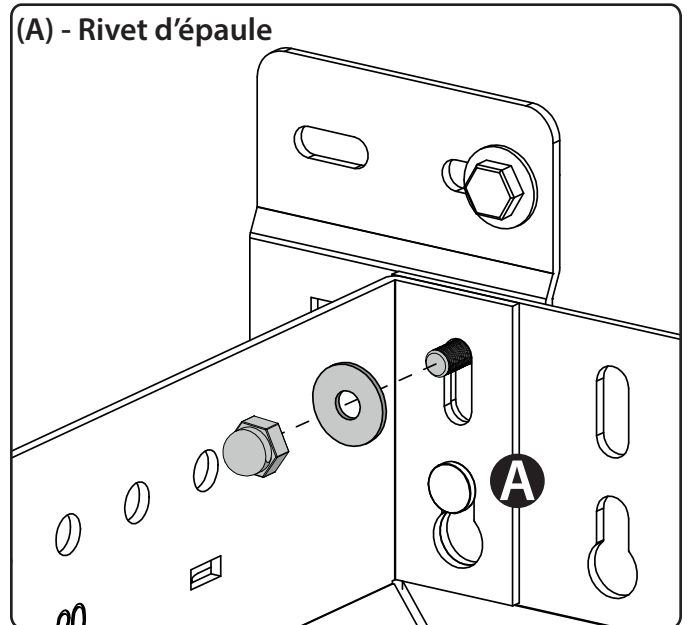
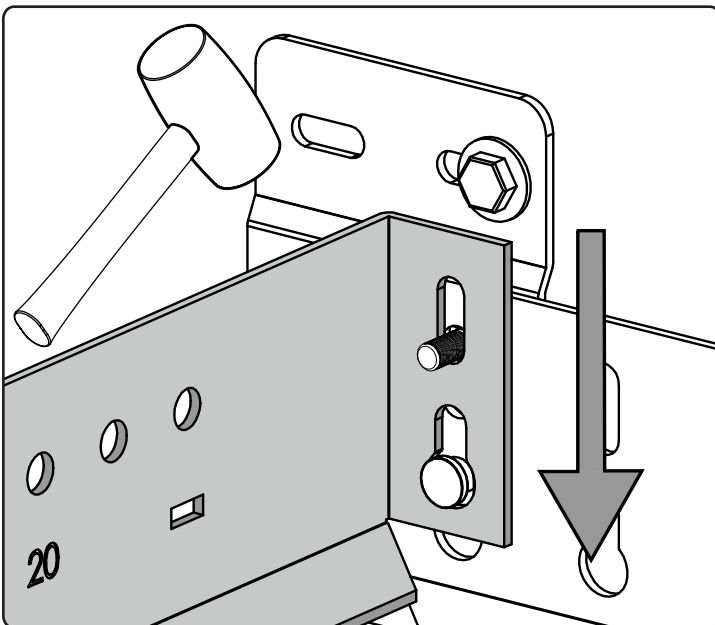
### **Remarque:**

Pour continuer l'installation au plafond, continuez à la page 19.

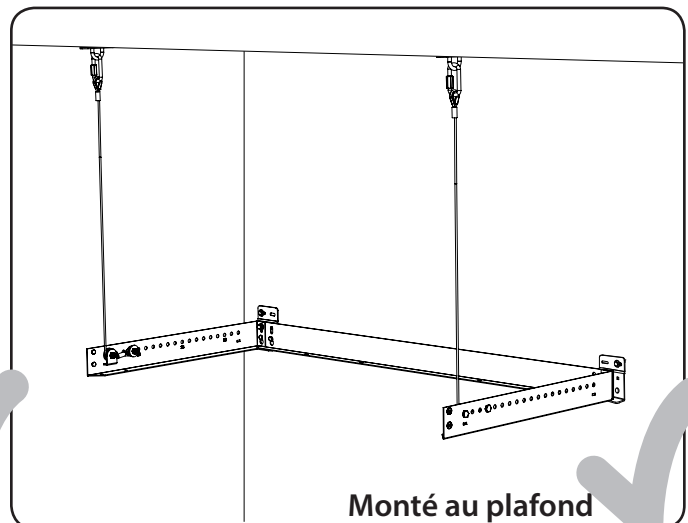
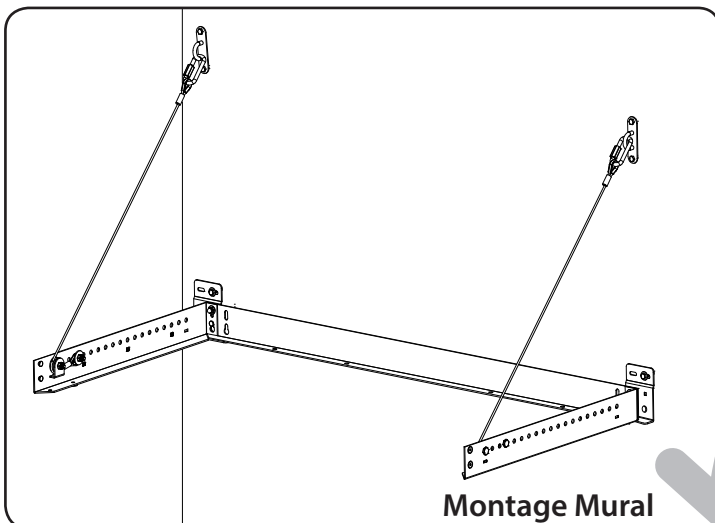
- 14** Fixez le maillon rapide (n° 20) à la plaque à œillets de protection (n° 24).



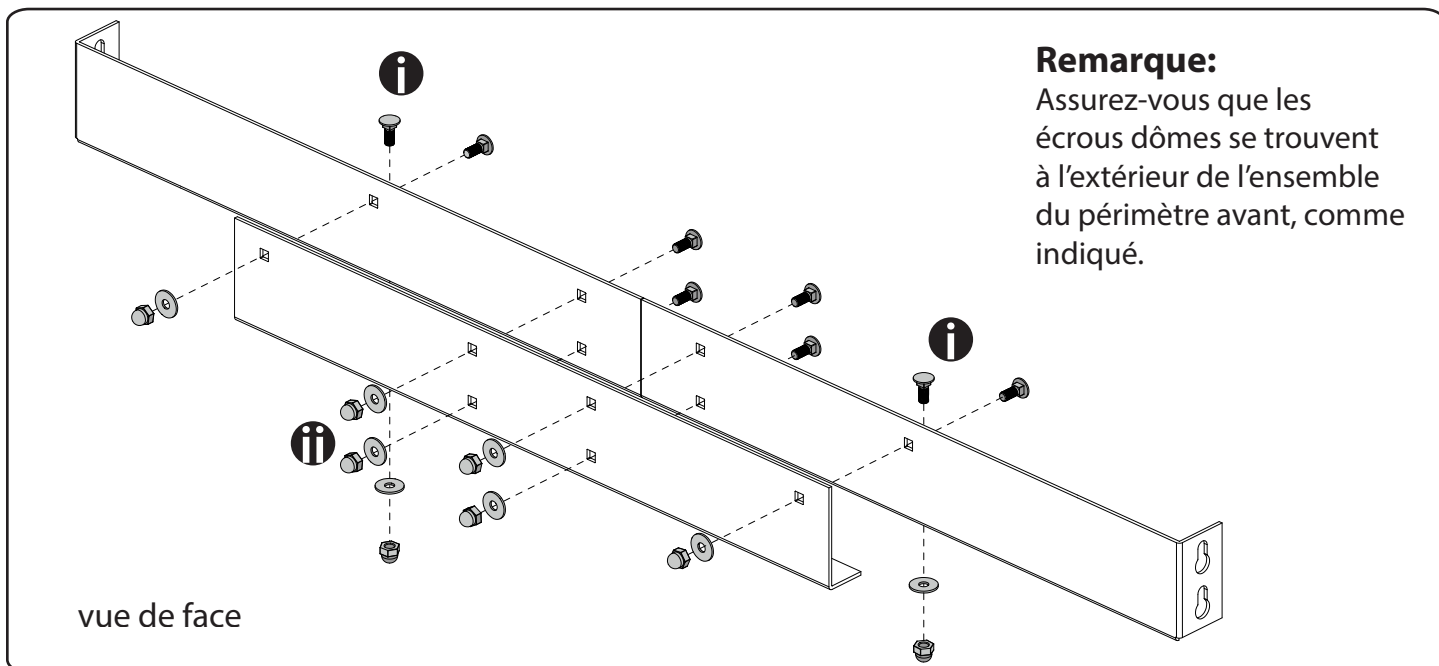
- 15** Fixez le faisceau latéral (n° 1 / n° 3) en guidant les trous de montage dans le boulon de carrosserie (n° 13) et le rivet à épaulement sur le support mural. Ensuite, boulonnez la poutre périphérique latérale avec une rondelle de 1/4" (n° 8) et un écrou borgne de 1/4" (n° 14).



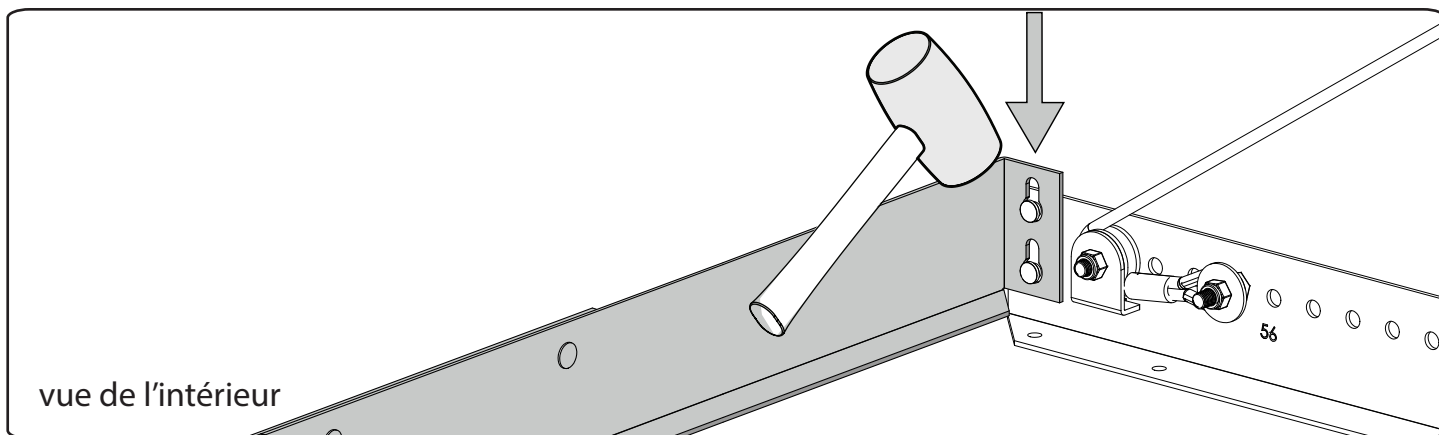
- 16** Répétez les étapes 12-15 pour le côté opposé.



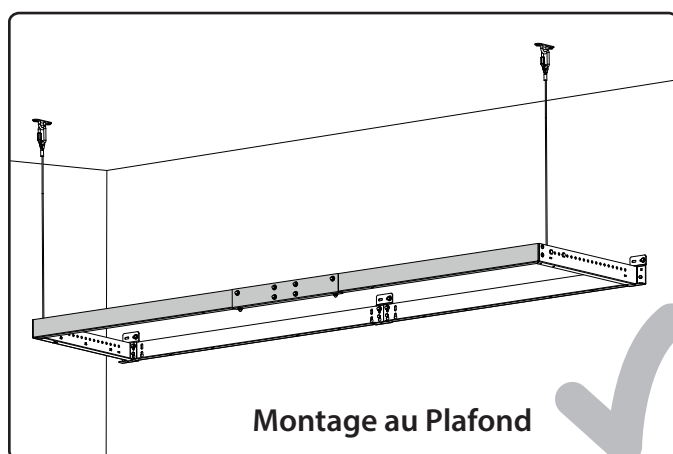
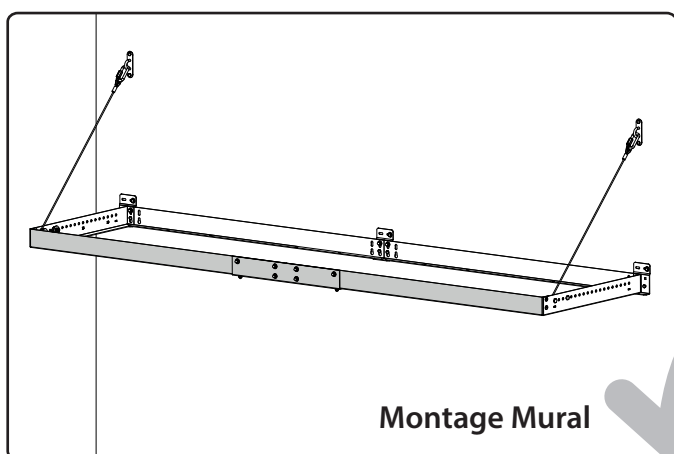
- 17** Boulonnez les poutres périmétriques avant (n°3 / n°4) avec le support périmétrique avant (n°7) à l'aide de huit boulons de carrosserie 1/4" (n°8), de rondelles (n°9) et de noix de glands (n°10). Commencez par les boulons verticaux (i) suivis des boulons horizontaux (ii)



- 18** Guidez les trous de montage de la poutre avant dans les rivets à épaulement de la poutre périphérique latérale. Utilisez un maillet en caoutchouc pour placer les rivets avec le haut des trous de serrure.

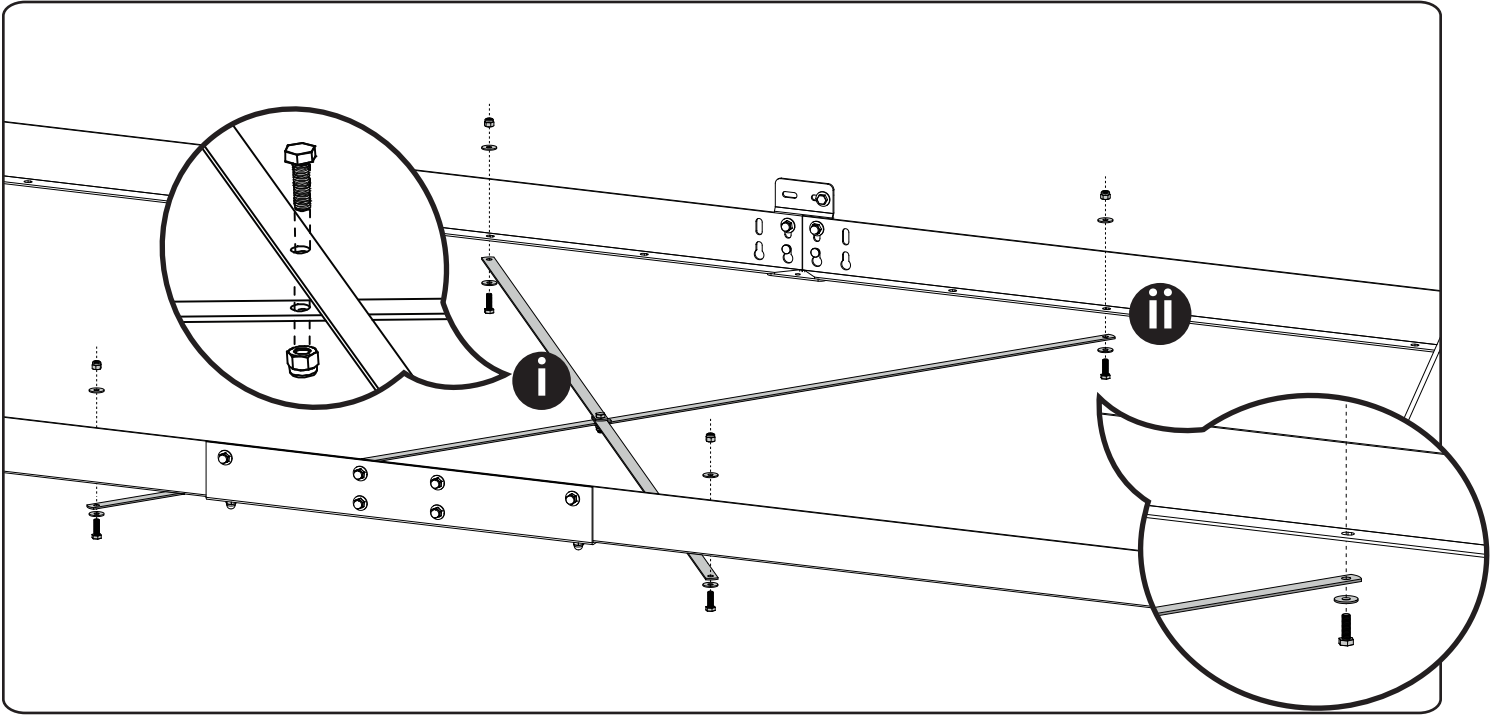


- 19** Répétez l'étape 18 pour le côté opposé du faisceau



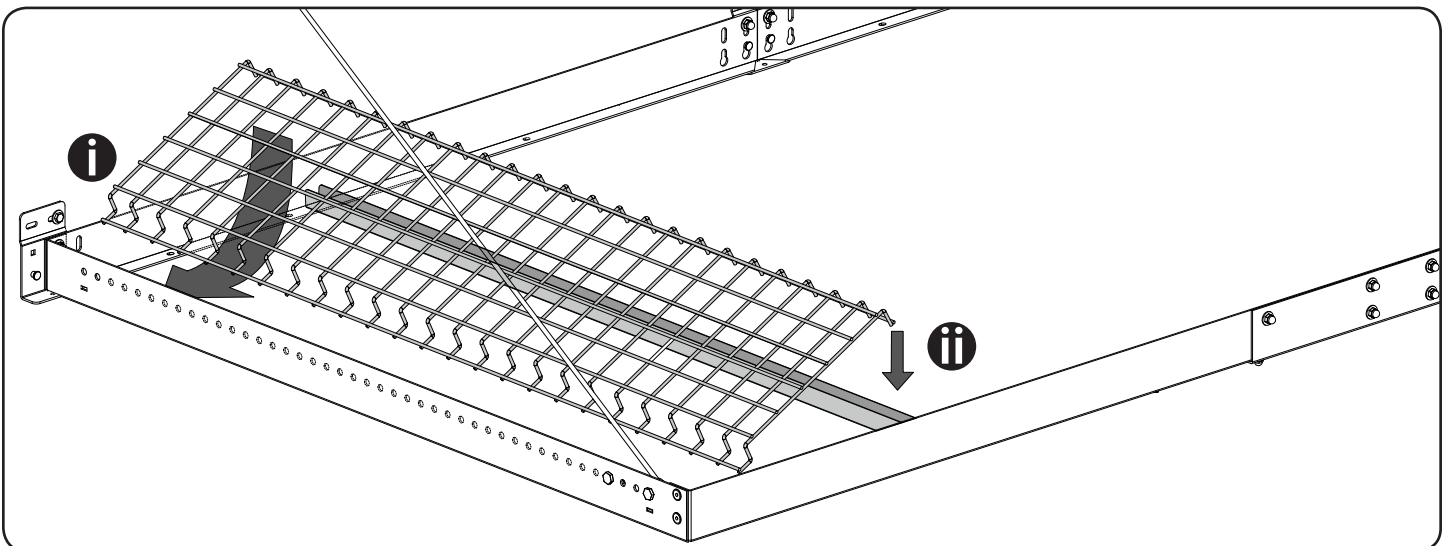
# Assemblage de support croisé de 2 pieds

- 20** (i) Assemblez les supports transversaux de 2 pieds (n° 14) avec un boulon hexagonal de 1/4" (n° 5) et un écrou de blocage de 1/4" (n° 16). (ii) Fixez les supports transversaux de 2 pieds assemblés au cadre périmétrique avec quatre boulons à tête hexagonale (n° 15), huit rondelles (n° 9) et quatre écrous de blocage (n° 16).



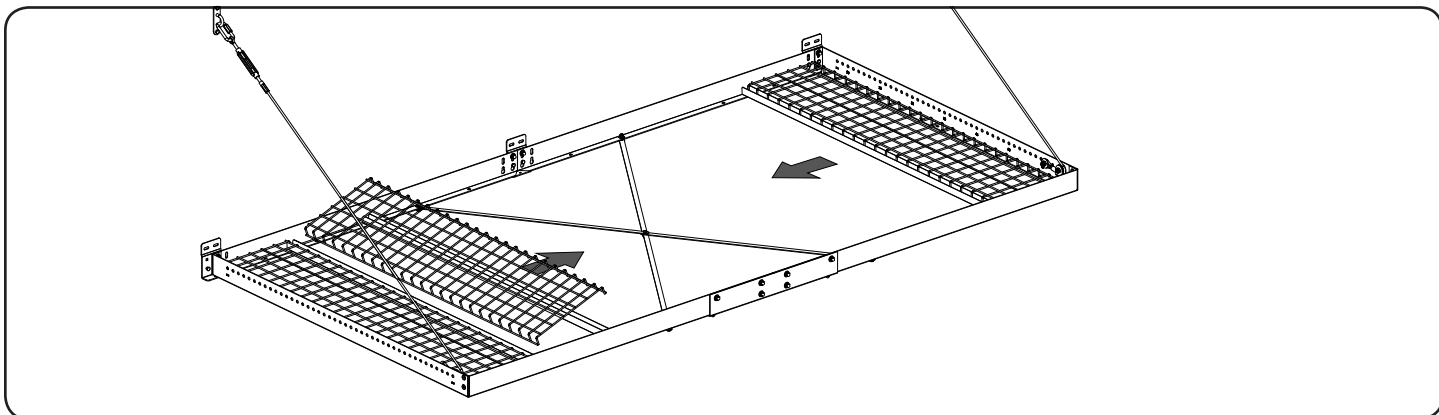
# Supports de grille et installation de grilles métalliques

- 21** (i) Commencez par les extrémités latérales des étagères murales et faites glisser la section de grille de finition de 2 pieds avec des bords pliés (# 11). Les bords pliés glisseraient sous les poulies et les câbles installés. (ii) Placez les supports de grille en forme de «U» de 2 pieds sous la grille métallique (n° 13).

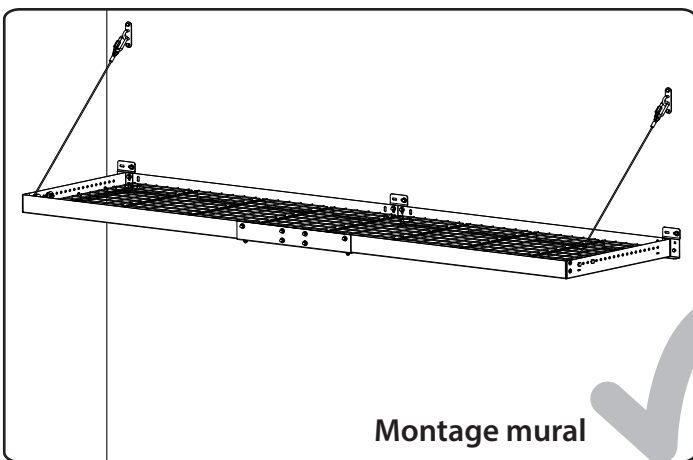
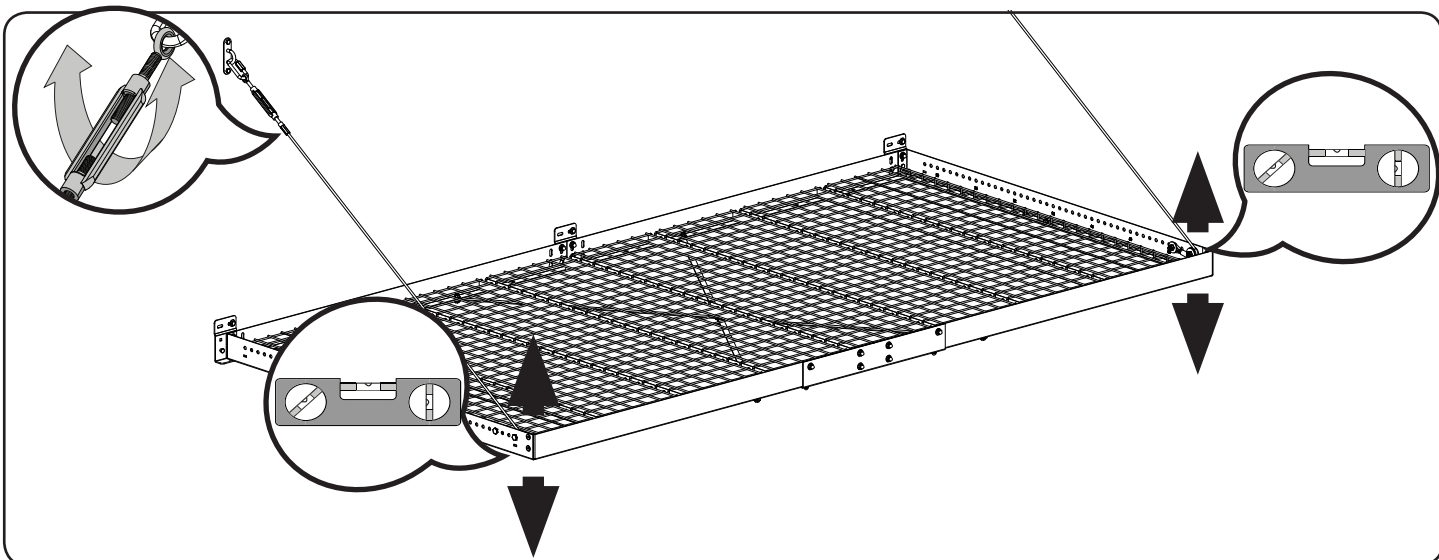




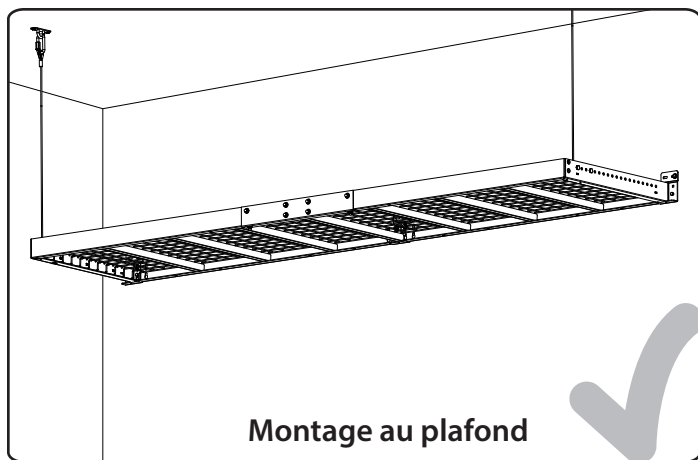
- 22** En vous déplaçant vers l'intérieur, placez les autres supports de grille en forme de «U» et les sections de grille en bas sur l'étagère murale.



- 23** Une fois que les supports de grille en forme de «U» et les sections de grille ont été installés, nivelez la tablette murale de l'avant vers l'arrière en ajustant les tendeurs en conséquence.



Montage mural



Montage au plafond

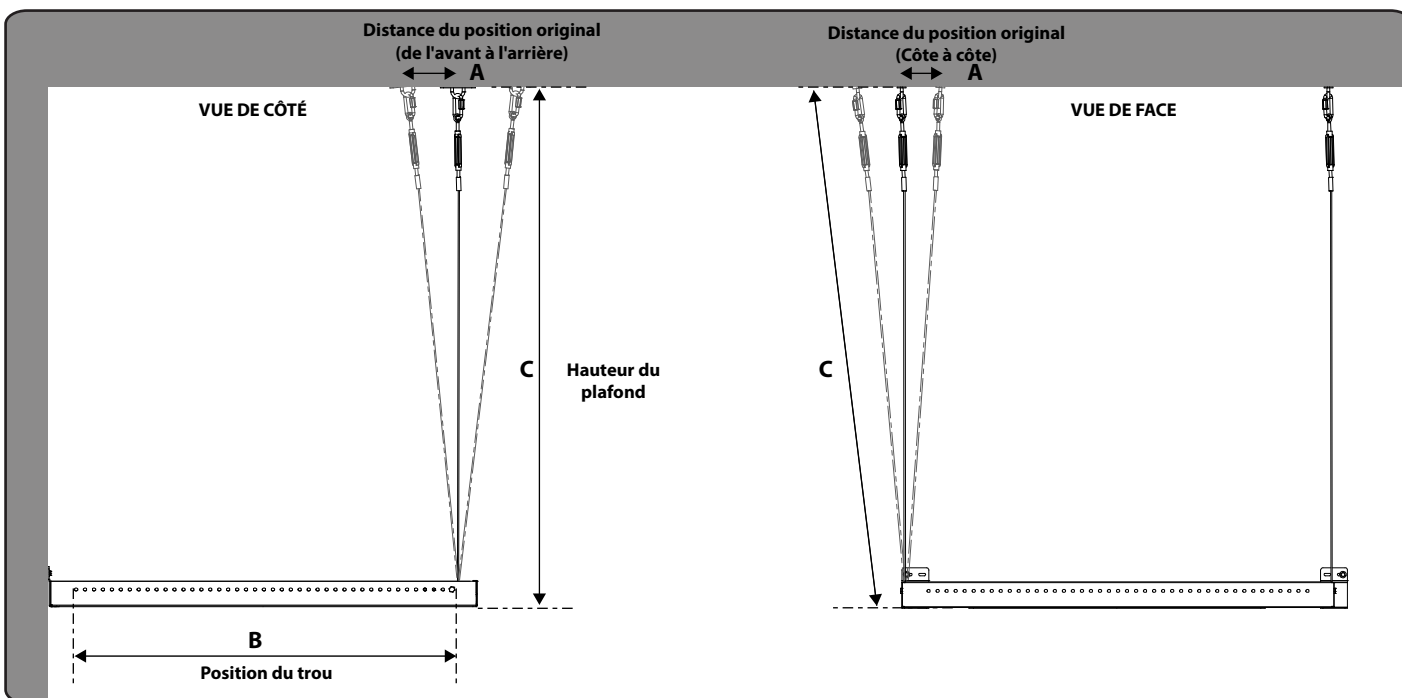
**ATTENTION:**

Inspectez périodiquement (au moins tous les trimestres) votre étagère murale pour vous assurer que les supports sont correctement positionnés et que les boulons sont fermement connectés aux montants / solives. Si l'étagère murale a commencé à se dégager, désinstallez-la et installez le support de plafond / mur approprié.

# Conseils d'installation

## Installation avec espacement irrégulier des solives

**A** Les œillets de protection peuvent être positionnés jusqu'à 6 pouces d'un côté à l'autre ou 12 pouces d'avant en arrière pour s'aligner sur une solive de plafond. Si vous n'installez pas les œillets de protection à l'emplacement prévu, la hauteur de l'étagère doit être ajustée en fonction des valeurs indiquées dans le tableau ci-dessous.

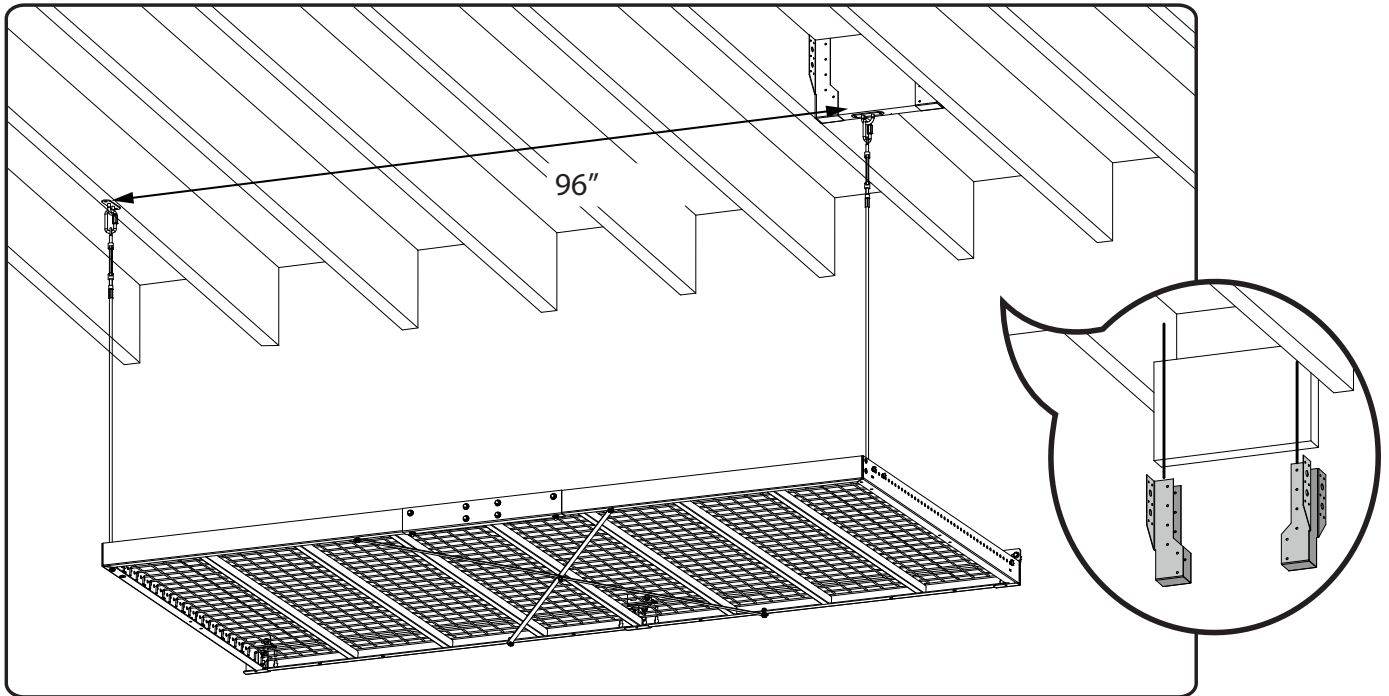


Déterminez la distance entre votre plaque à œillets et l'emplacement prévu pour le plafond (A) et le position de trou(B).Examinez les valeurs correspondantes ci-dessous(pour A et B) pour déterminer votre hauteur à partir de l'emplacement du plafond (C).

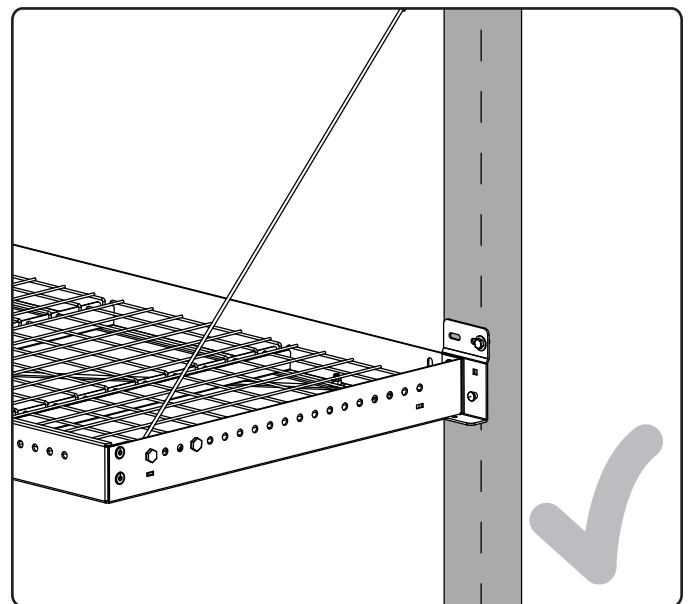
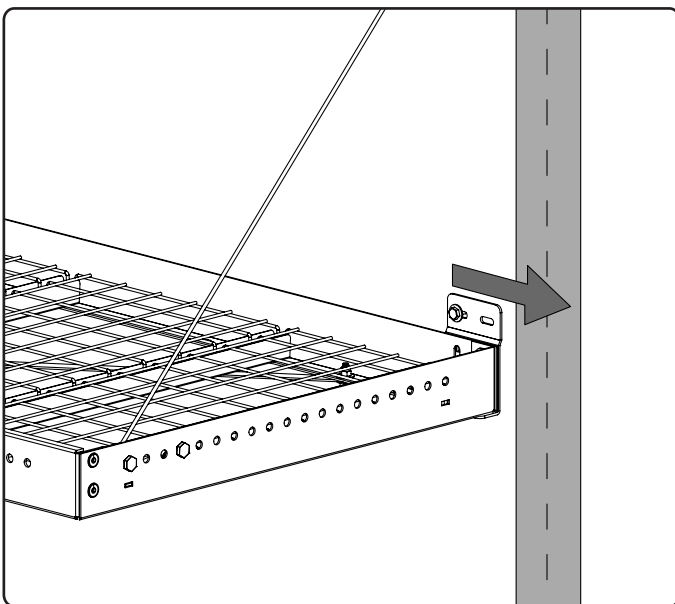
		Distance from original Ceiling Location(Inches) (A)											
		1	2	3	4	5	6	7	8	9	10	11	12
Hole Position(B)	18	18	17 7/8	17 3/4	17 1/2	17 1/4	17	16 5/8	16 1/8	15 5/8	15	14 1/4	13 3/8
	19	19	18 7/8	18 3/4	18 5/8	18 3/8	18	17 5/8	17 1/4	16 3/4	16 1/8	15 1/2	14 3/4
	20	20	19 7/8	19 3/4	19 5/8	19 3/8	19 1/8	18 3/4	18 3/8	17 7/8	17 3/8	16 3/4	16
	21	21	20 7/8	20 3/4	20 5/8	20 3/8	20 1/8	19 3/4	19 3/8	19	18 1/2	17 7/8	17 1/4
	22	22	21 7/8	21 3/4	21 5/8	21 3/8	21 1/8	20 7/8	20 1/2	20 1/8	19 5/8	19	18 1/2
	23	23	22 7/8	22 3/4	22 5/8	22 1/2	22 1/4	21 7/8	21 5/8	21 1/8	20 3/4	20 1/4	19 5/8
	24	24	23 7/8	23 3/4	23 5/8	23 1/2	23 1/4	23	22 5/8	22 1/4	21 7/8	21 3/8	20 3/4
	25	25	24 7/8	24 7/8	24 5/8	24 1/2	24 1/4	24	23 5/8	23 3/8	22 7/8	22 1/2	21 7/8
	26	26	25 7/8	25 7/8	25 3/4	25 1/2	25 1/4	25	24 3/4	24 3/8	24	23 1/2	23 1/8
	27	27	26 7/8	26 7/8	26 3/4	26 1/2	26 3/8	26 1/8	25 3/4	25 1/2	25 1/8	24 5/8	24 1/8
	28	28	27 7/8	27 7/8	27 3/4	27 1/2	27 3/8	27 1/8	26 7/8	26 1/2	26 1/8	25 3/4	25 1/4
	29	29	28 7/8	28 7/8	28 3/4	28 5/8	28 3/8	28 1/8	27 7/8	27 5/8	27 1/4	26 7/8	26 3/8
	30	30	29 7/8	29 7/8	29 3/4	29 5/8	29 3/8	29 1/8	28 7/8	28 5/8	28 1/4	27 7/8	27 1/2
	31	31	30 7/8	30 7/8	30 3/4	30 5/8	30 3/8	30 1/4	30	29 5/8	29 3/8	29	28 5/8
32	32	31 7/8	31 7/8	31 3/4	31 5/8	31 3/8	31 1/4	31	30 3/4	30 3/8	30	29 5/8	
33	33	33	32 7/8	32 3/4	32 5/8	32 1/2	32 1/4	32	31 3/4	31 1/2	31 1/8	30 3/4	

- B** Si l'espacement de vos solives de plafond ne correspond pas à la taille et à la direction souhaitées pour l'installation de votre étagère murale, vous devrez installer une solive dans la position correcte. Veuillez consulter votre entrepreneur professionnel local pour obtenir de l'aide pour l'installation d'un support de solive.

En utilisant des supports de solives appropriés, installez deux solives de plafond en bois supplémentaires à l'emplacement souhaité.  
(solive de plafond, support de solive et matériel non inclus)

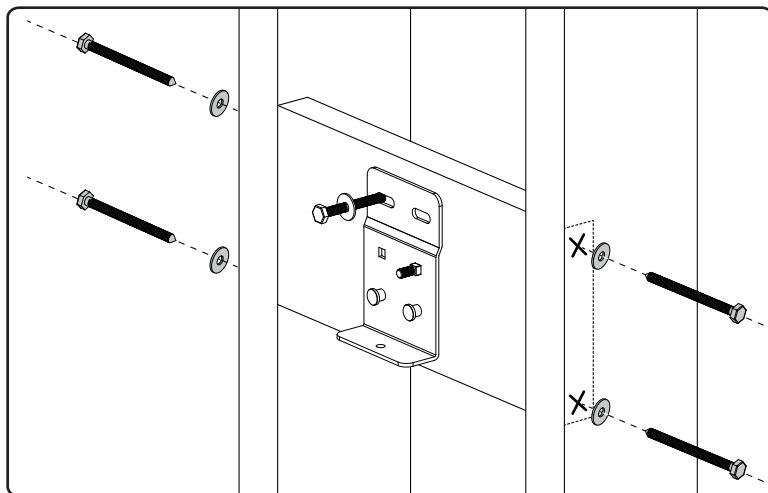


- C** Ajustez les supports de fixation du mur arrière à gauche ou à droite pour les aligner avec les montants du mur.



**D** Si l'espacement de vos poteaux muraux ne correspond pas à la taille et à la direction souhaitées pour l'installation de votre étagère murale, vous devrez installer une entretoise de support horizontale dans la position correcte (minimum 2 po x 8 po).

Installez une entretoise de support horizontale supplémentaire aux emplacements requis pour votre montage mural en fonction de l'étagère murale et de l'orientation déterminées à la page 10 (solive de plafond et matériel non inclus).



## Fixation aux solives d'ingénierie

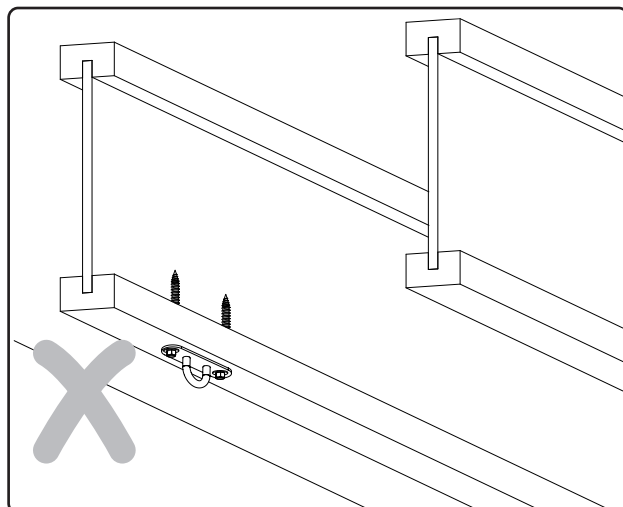
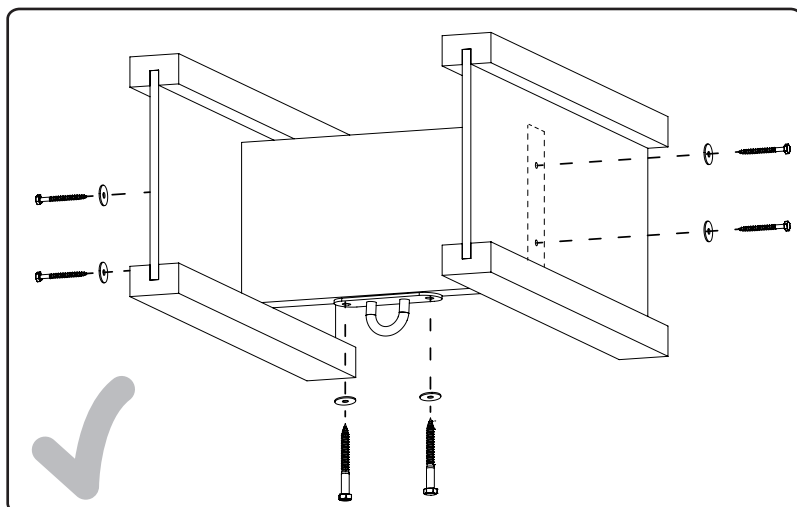


### Attention:

Les solives de plafond techniques ne conviennent pas pour la fixation directe des angles de montage au plafond.

Si la structure de votre plafond utilise des solives de plafond d'ingénierie, vous devez installer une solive de plafond supplémentaire (minimum 2 "x 8") perpendiculaire entre deux des solives de plafond d'ingénierie.

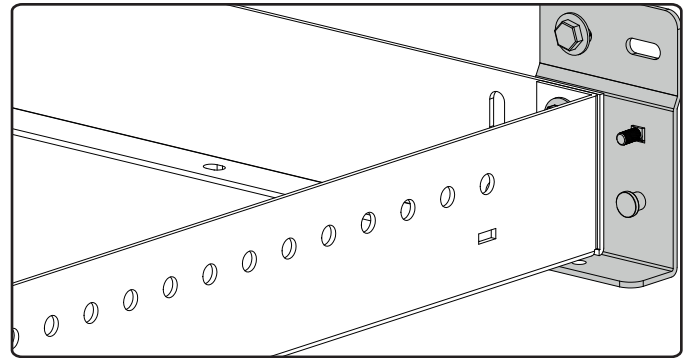
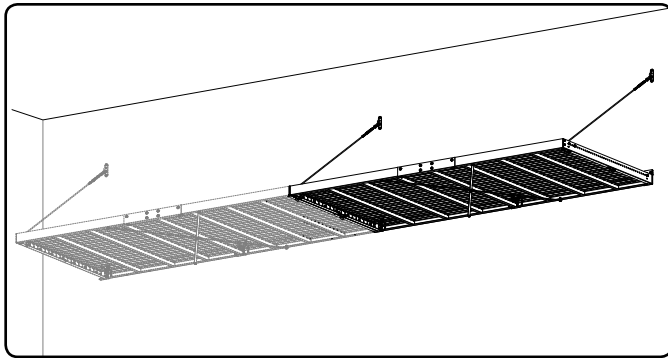
Installez deux solives de plafond en bois supplémentaires aux emplacements requis pour vos angles de montage au plafond, en fonction de la taille et de l'orientation de l'étagère murale, comme indiqué à la page 10 (solive de plafond et matériel non inclus).



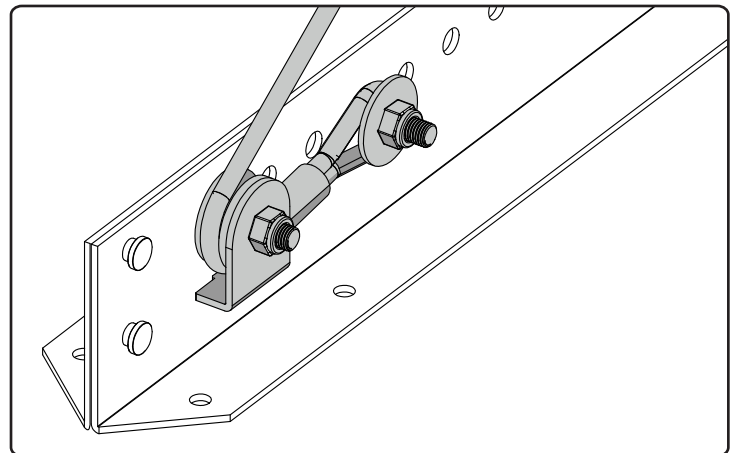
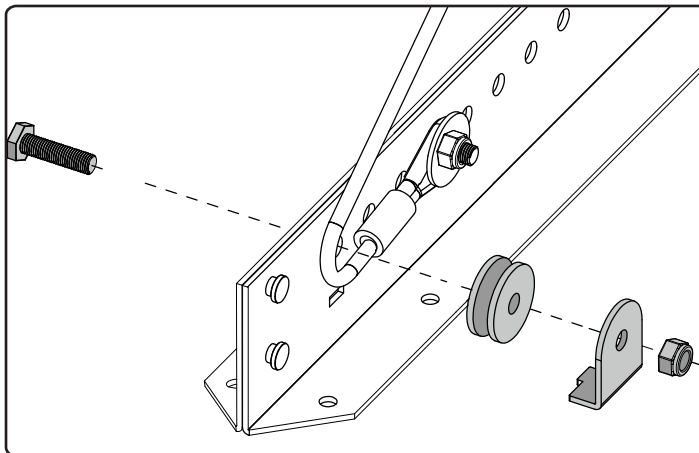
# Raccordement horizontal des étagères murales

- 1** Installez la première étagère murale conformément à l'option A (montage mural) ou B (montage au plafond) jusqu'à l'étape 12, page 16 ou page 18.

- 2** **Remarque:** avant d'installer les supports de fixation murale, assurez-vous que le support mural est partagé entre deux étagères et que les deux boulons de chariot sont montés là où deux étagères murales seront connectées.



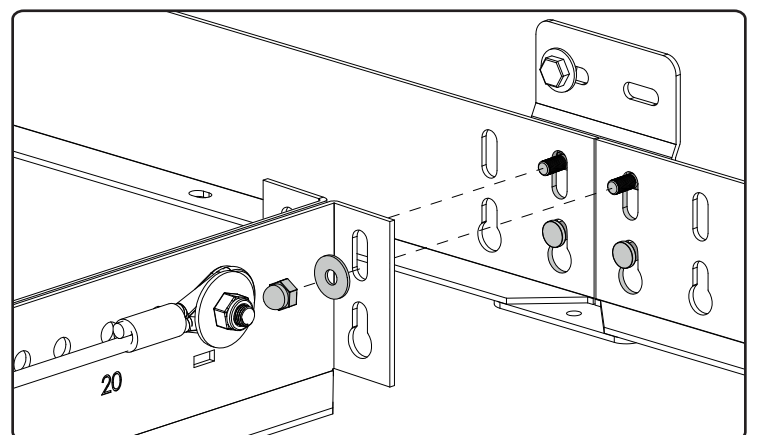
- 3** Insérez un boulon hexagonal de 5/16 po dans le premier / premier trou des poutres du périmètre latéral. Faites glisser le capuchon du câble Pully sur le boulon à tête hexagonale et enroulez le câble autour de la poulie. Glissez le capuchon du câble de la poulie sur le boulon à tête hexagonale et fixez-le avec un écrou de blocage de 5/16 po. Alignez la languette du capuchon du câble de la poulie avec la découpe dans le cadre latéral.



**Remarque:** Un seul câble est requis pour chaque paire de poutres de périmètre latérales.

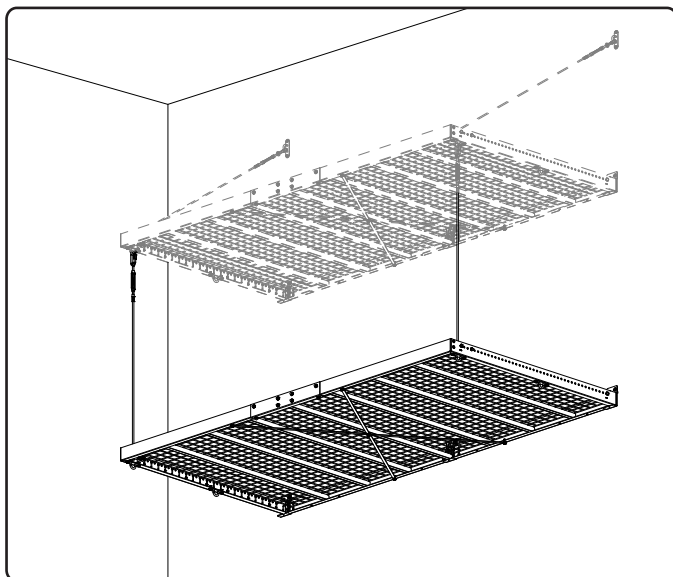
- 4** Fixez les poutres latérales en guidant les trous de fixation dans les boulons de carrosserie et les rivets à épaulement du support mural. Ensuite, boulonnez les poutres périmétriques latérales avec une rondelle de 1/4" et un écrou borgne de 1/4".

- 5** Une fois les poutres latérales de raccordement installées, poursuivez l'installation à l'étape 17 à la page 20.



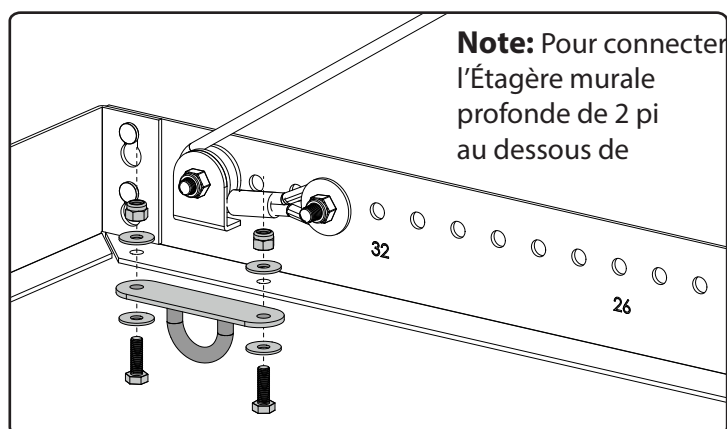
# Raccordement vertical des étagères murales

- 1** Installez entièrement la tablette murale supérieure selon l'option A (montage mural) ou B (montage au plafond). Commencez à installer la tablette murale inférieure jusqu'à l'étape 8 de la page.14

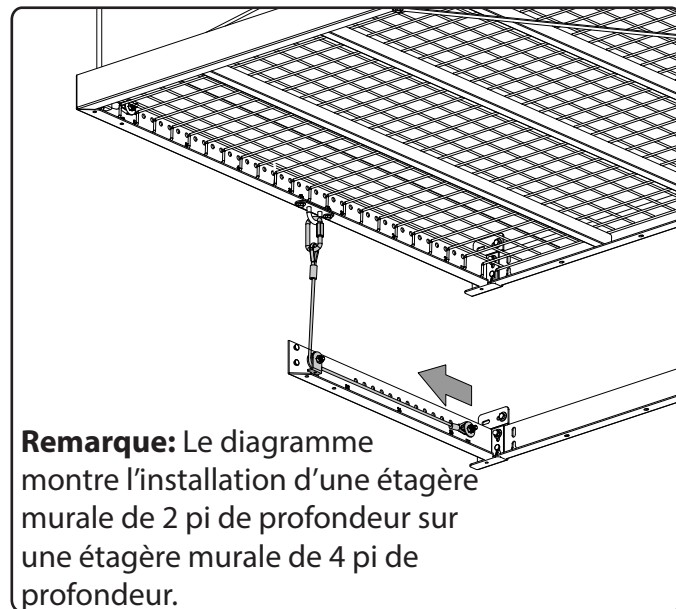
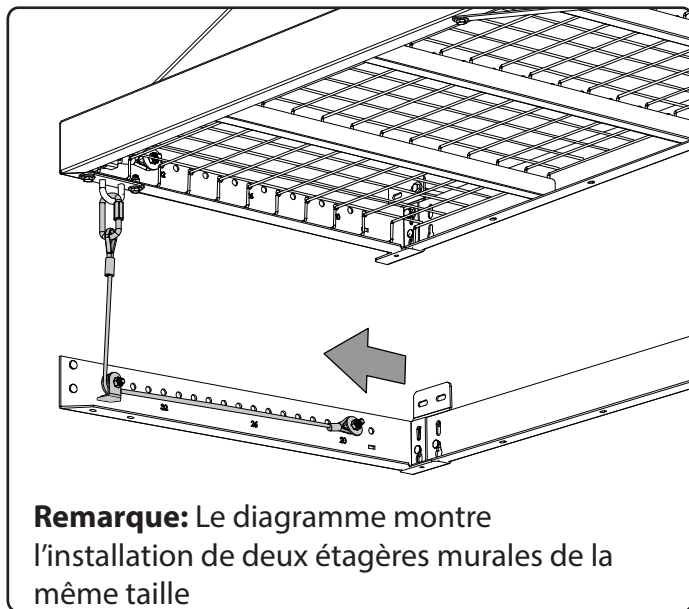


- 2** Une fois que vous avez suivi les étapes 1 à 8 pour l'étagère murale inférieure, installez les œillets de protection sur votre étagère murale supérieure conformément au schéma ci-dessous. Vous devrez peut-être retirer les grilles d'extrémité pour accéder aux trous de montage.

À l'aide de deux boulons hexagonaux de 1/4", de quatre rondelles de 1/4" et de deux écrous de blocage de 1/4", fixez un œillet de protection aux trous de montage les plus éloignés du mur. Répétez pour le côté opposé.



- 3** Poursuivez l'assemblage de l'étagère murale inférieure en suivant l'option pour montage au plafond (option B) dans le guide d'installation. Installez les supports de suspension arrière sur le même montant que celui de la tablette murale ci-dessus.

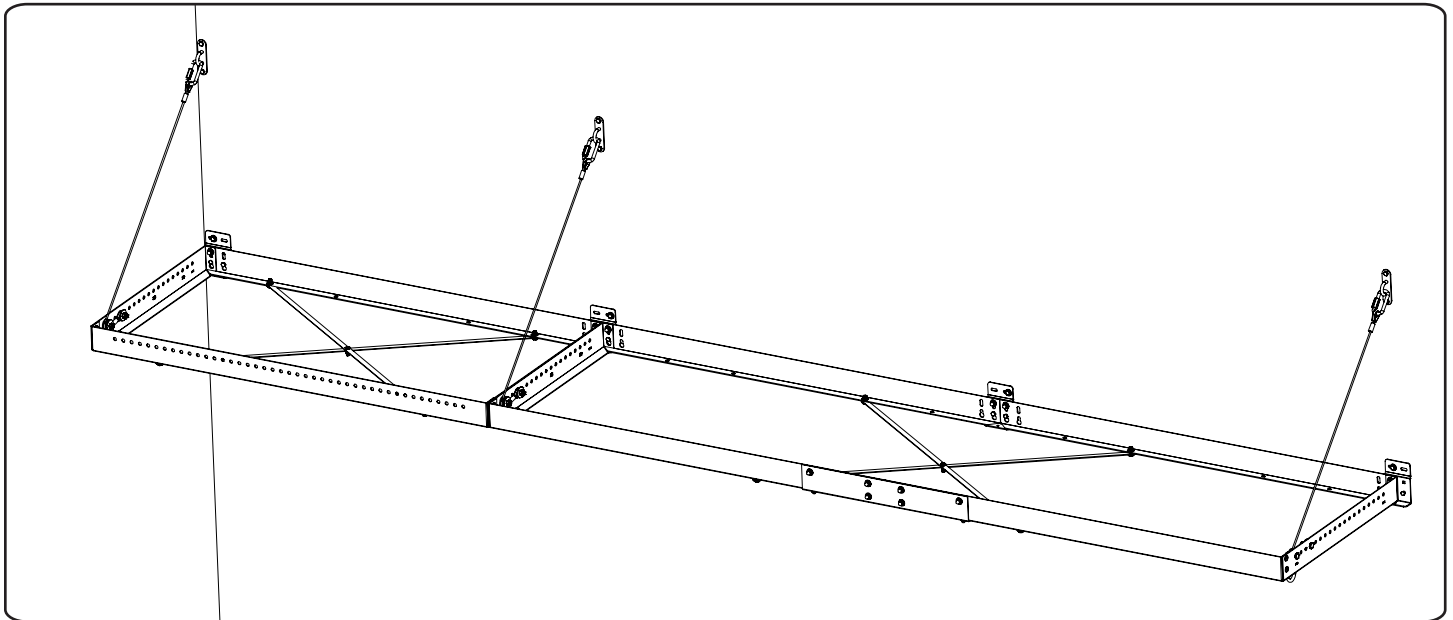
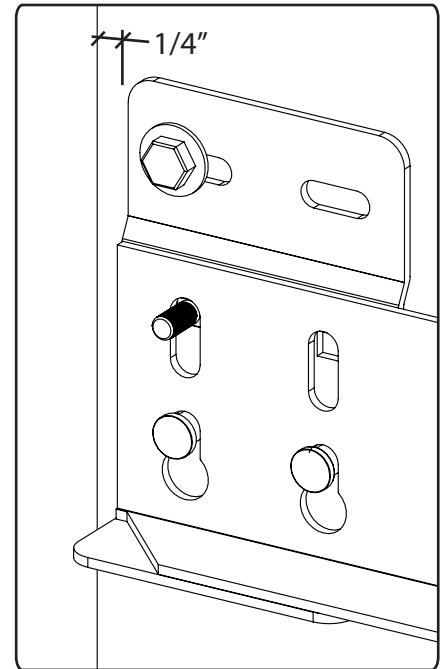


- 4** Terminez le montage du câble en installant l'œillet de câble en fonction de la distance mesurée du bas de la clayette murale supérieure au bas de la clayette murale inférieure. (Similaire à l'étape 9b pg.17)
- 5** Poursuivez l'assemblage conformément aux instructions d'installation du meuble mural, en reprenant à l'étape 12.

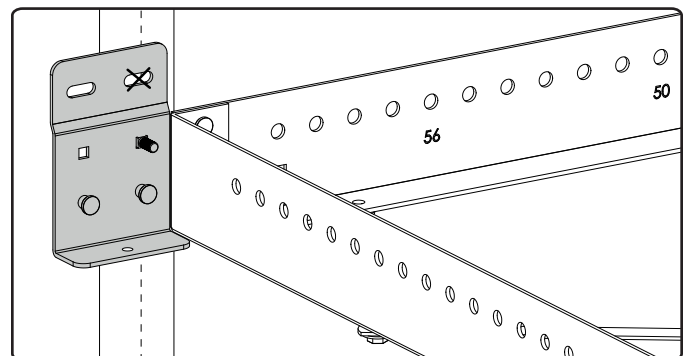
# Étagère de raccordement au mur

**Remarque:** Si vous installez deux étagères murales 2pi x 8pi et une 2pi x 4pi dans une configuration en L, suivez les instructions commençant en 1B sur cette page:

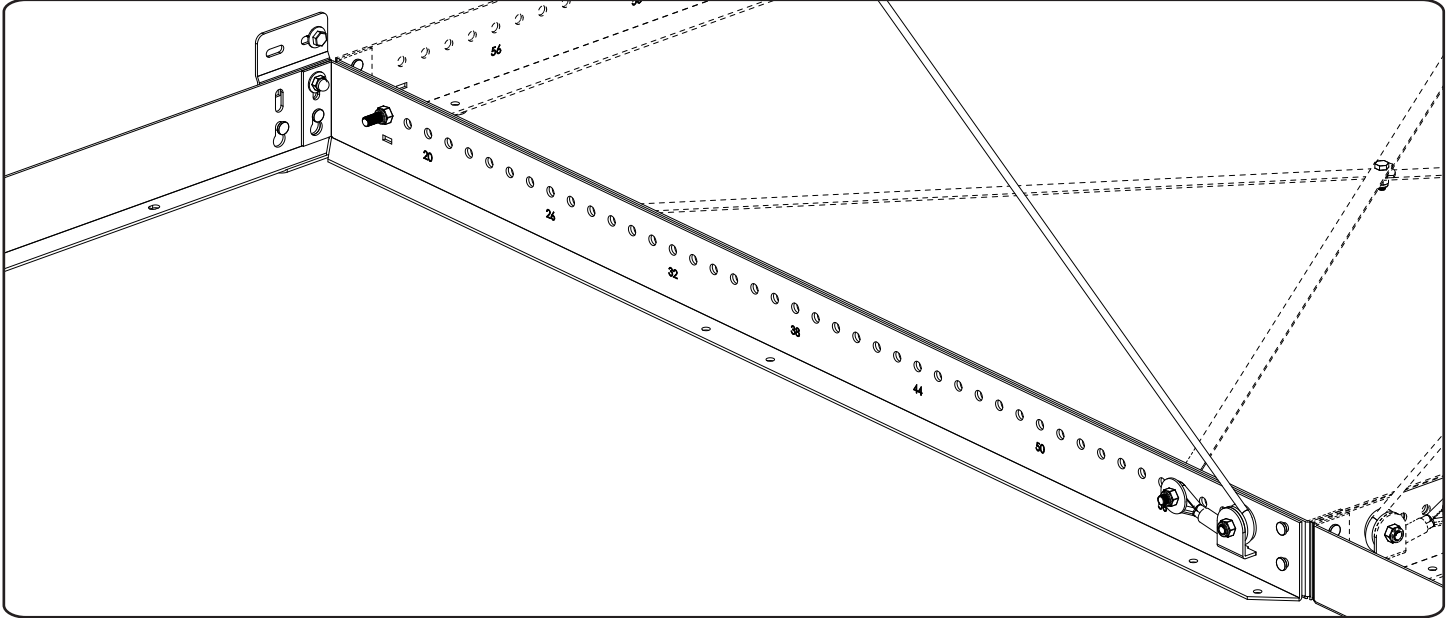
- 1** Commencez à installer l'étagère de 2 pi x 4 pi en suivant les instructions ci-dessous.
- A** Si vous n'installez que des étagères murales dans un sens, suivez les instructions de la page 26 - «Connexion horizontale des étagères»,
- B** Une fois l'emplacement de l'étagère murale déterminé, installez le support de fixation murale de l'étagère murale de 2pi x 4pi à un quart du mur en suivant les instructions de la page 13 - «Installation des supports muraux et du faisceau arrière».
- 2** Poursuivez l'assemblage en suivant les instructions de la page 26 - «Raccordement d'étagères murales horizontalement».



- 3** Alignez le côté du support de fixation murale de la prochaine étagère murale de 2 pi x 8 pi avec la poutre de périmètre avant de la tablette murale de 2pi x 4 pi. Marquez, percez un avant-trou et installez-le en conséquence.



- 4** Fixez le faisceau de périmètre arrière suivi du faisceau de périmètre latéral. Boulonnez ensemble la poutre de périmètre avant de l'étagère 2pi x 4pi avec la poutre de périmètre latérale de la prochaine étagère murale à l'aide d'un boulon à tête hexagonale et d'un écrou de blocage. Fixez l'ensemble de câbles à travers les deux poutres de périmètre



- 5** Continuez et terminez l'assemblage de la deuxième étagère murale en commençant à l'étape 3 (p. 13) du manuel d'installation

**Merci d'avoir acheté un produit NewAge!**

Veuillez nous appeler ou consulter notre site Web si vous avez la moindre question.

Composer le 1.877.306.8930; au R.-U., composer le 0800.031.4069; ou envoyer un courriel à l'adresse [info@newageproducts.com](mailto:info@newageproducts.com).