

Mountain Modern Door

Assembly Instructions



RUSTICAHARDWARE®



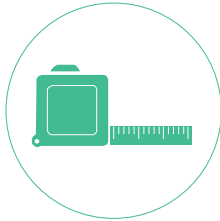
PARTS AND TOOLS

INSTALLATION INSTRUCTIONS

Tools Needed



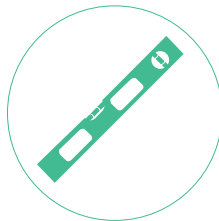
Drill



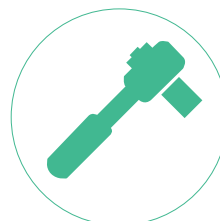
Tape Measure



Pencil



Short Level

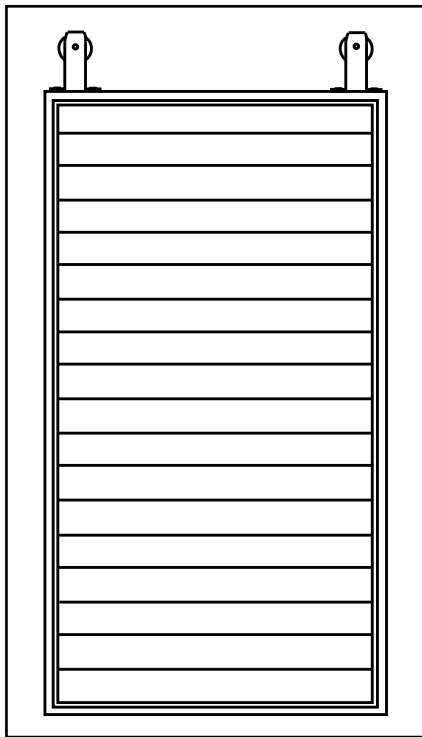


Ratchet

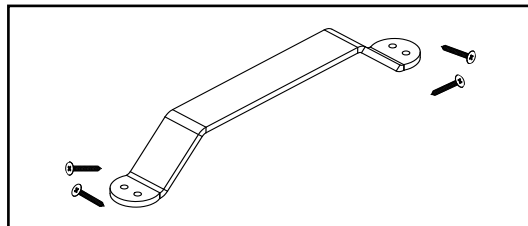
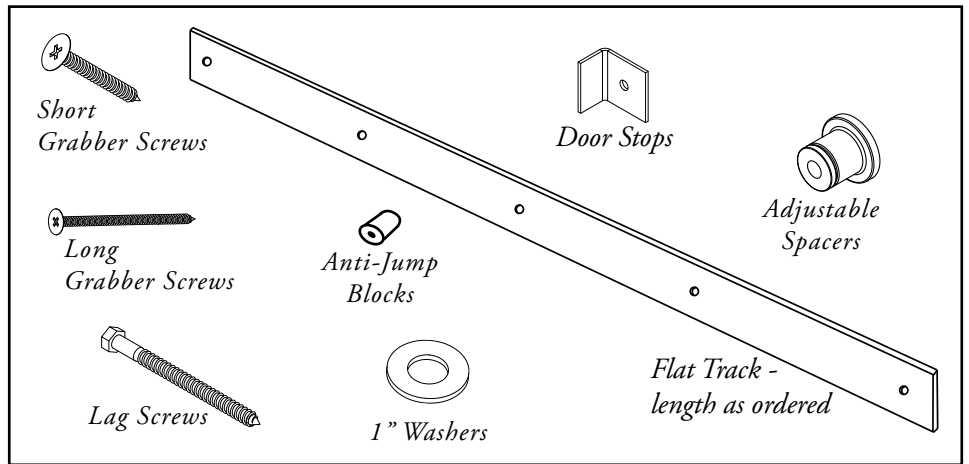


Wrench

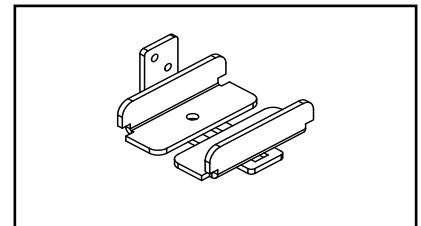
Parts Included



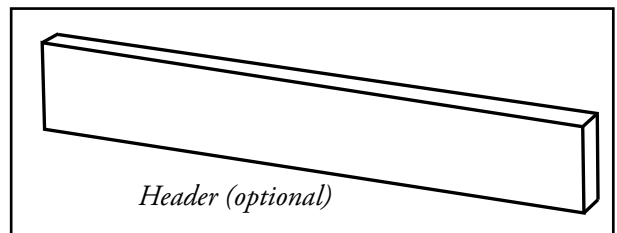
Door with Hangers and Wheels attached



Door Pull



Adjustable Wall-Mount, U-Channel Door Guide



Header (optional)



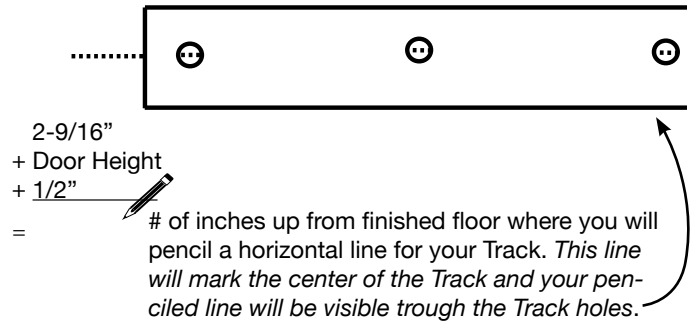
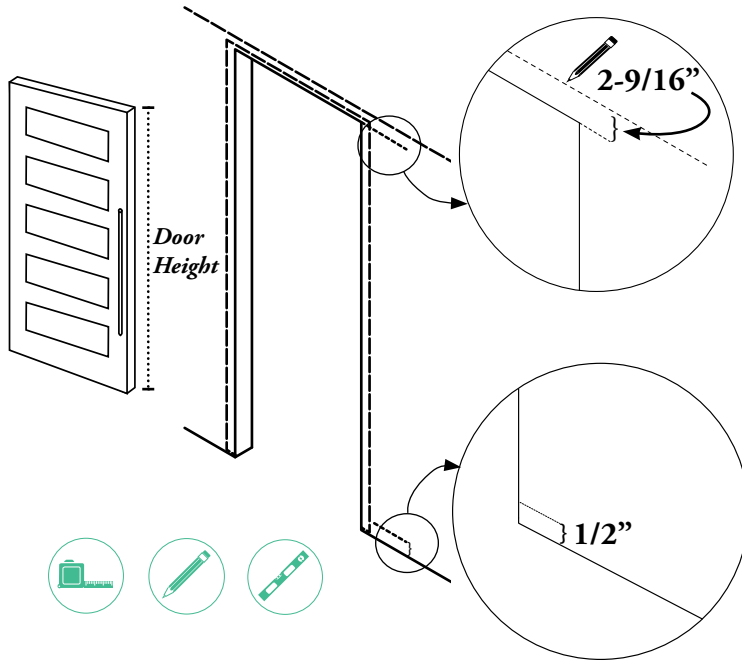
RUSTICAHARDWARE®

www.rusticahardware.com



Assembly Instructions

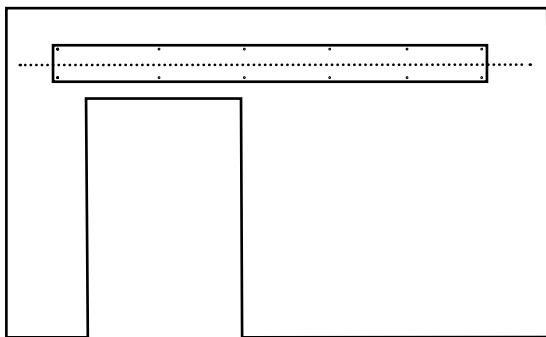
1. Measuring for Track Position



- To determine where to install your Track, **add together 2-9/16" (space above door) plus 1/2" (floor gap) to the height of your Door**. This measurement is how high up on your wall (from your finished floor up) you should install the Track.
- Take into consideration while hanging doors onto your Track, the bottom of the door must not be more than 1" off the ground or the door will ride too high and miss the Door Guide.
- This is where you will mark a horizontal line on your wall parallel to the floor, slightly longer than the length of your Track. Use a level to ensure the horizontal line is completely level.
- Check to see if your floor is level. If your floor rises more than 1/2" along the length of the Track, you risk your Door rubbing or sticking at this high point.
- If your floor is not level, measure up from the highest point of your finished floor to find your Track hole center position to attach the Track to your wall.

2. Installing the Header

- After you have marked for proper Track location, mark for drill holes for attaching the Header, **making sure you are attaching the Header into your wall studs** using Long Grabber Screws. This is important to ensure your wall can hold the weight of your Track System and Door. Use your level to ensure the track is level.

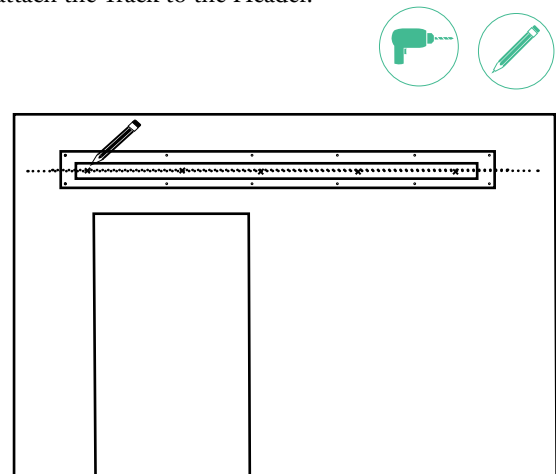


IMPORTANT!

! A Header is included in your order for your convenience and for solid installation. Without a Header, four of your Track holes must line up with studs. Otherwise, the weight of your Track System and Door will be too heavy and could pull out of your drywall, which could result in damage or injury. !

3. Marking Pilot Holes

- Continue your penciled line onto the header. Lay your Track onto your Header and mark for hole locations to attach the Track to the Header.



RUSTICAHARDWARE®

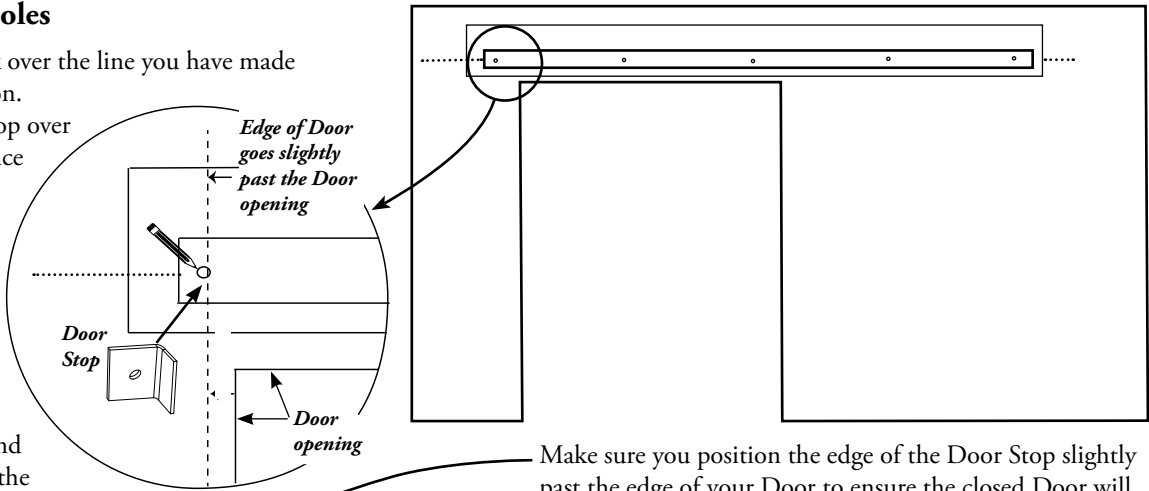
www.rusticahardware.com

Assembly Instructions

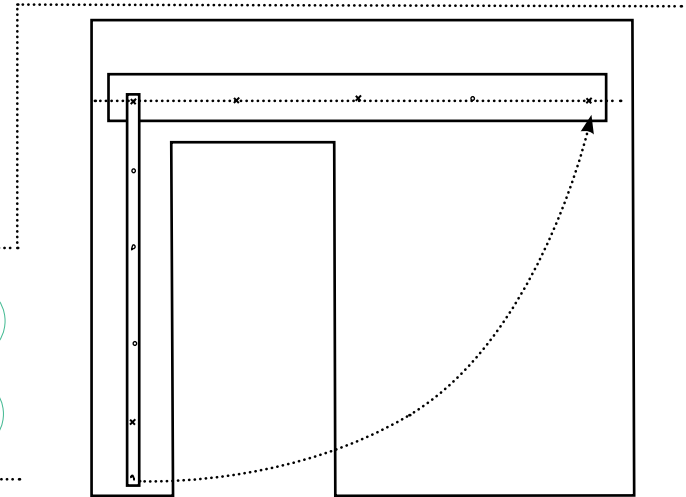
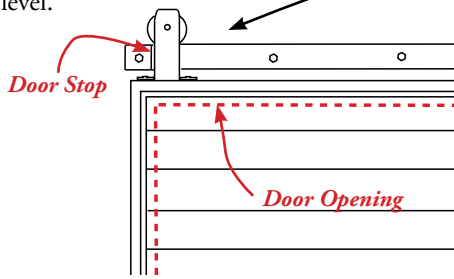
INSTALLATION INSTRUCTIONS

4. Marking Drill Holes

- Center the Flat Track over the line you have made to mark Track location.
- Position the Door Stop over the Flat Track and once you have determined how far from the Track end you want your Door Stop, pencil a mark in the center of the hole on your Door Stop. Repeat on the other Track End after checking to see the Track is horizontally level.

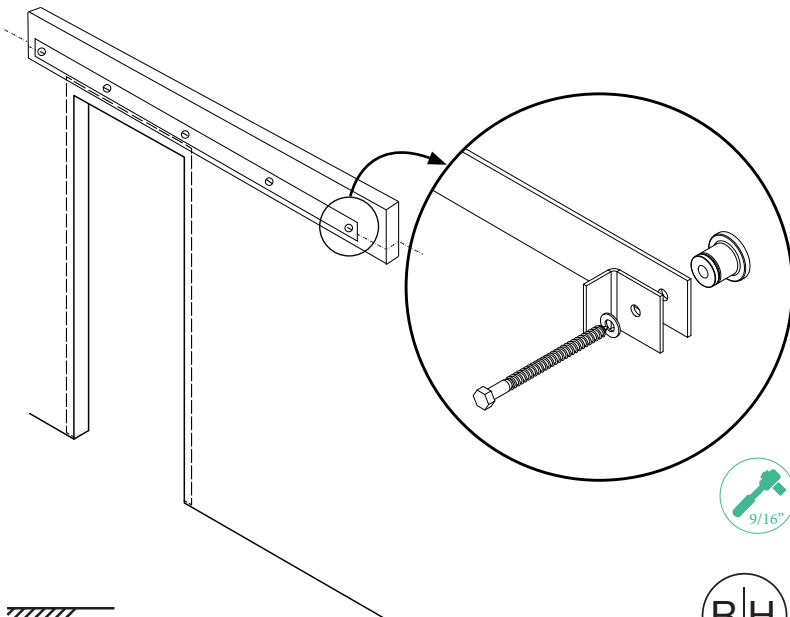


Make sure you position the edge of the Door Stop slightly past the edge of your Door to ensure the closed Door will cover the doorway and overlap the wall slightly.



5. Attaching Track

- Using Lag Screws, loosely install one end of your Track per instructions in Step 6, below. Swing the Track up, making sure it is level, then install the other end.
- Install all remaining holes and tighten.



6. Hole Installation

- The **outside** holes will be installed with a Track Stop.
- In this order: Adjustable Spacer, Flat Track, Track Stop, 1" Washer, and Lag Screw. Using a ratchet with a 9/16" socket, tighten the Lag Screw most of the way, enough to hold the Track in place, but allowing the Track to move.
- Swing the Track up to be horizontal, and repeat the same step on the opposite end of the Track (see Step 4, above).
- The hardware for the **middle** holes will be installed in this order: Adjustable Spacer, Flat Track, 1" Washer, and Lag Screw. Using a ratchet with a 9/16" socket, tighten the Lag Screw most of the way.
- Repeat on all remaining middle Track holes.
- After all Lag Screws are in, fully tighten all using your ratchet with socket, being careful not to over-tighten to avoid stripping the wall studs or the header.



RUSTICAHARDWARE®

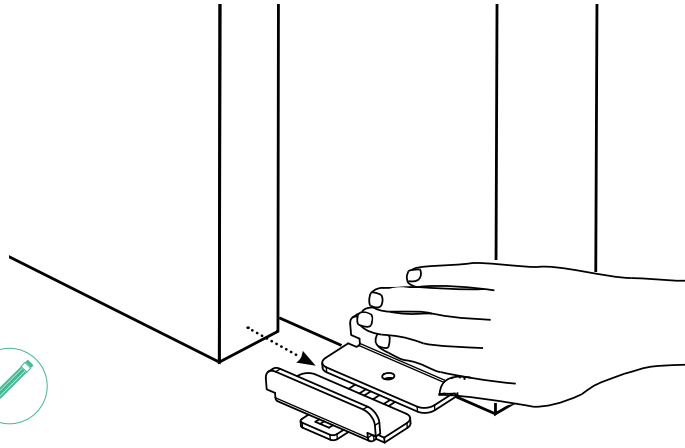
www.rusticahardware.com

Assembly Instructions

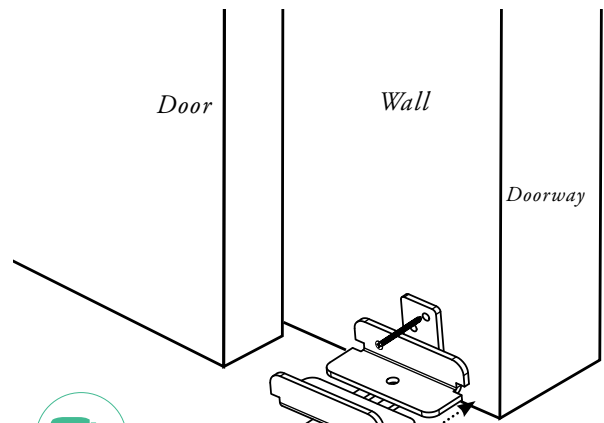
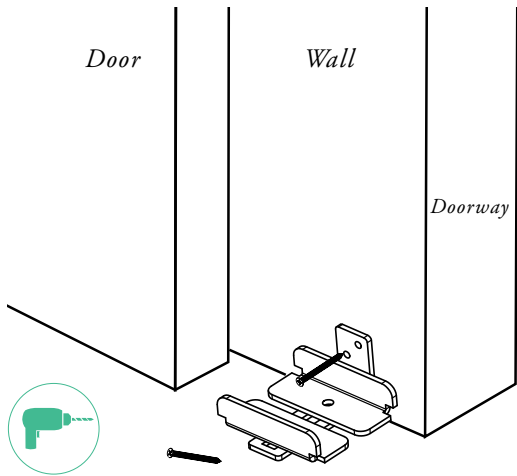
INSTALLATION INSTRUCTIONS

7. Installing Door Guide

- Hold the Bracket against your wall with your hand, near the doorway edge, but not up to it. Slide your Door towards the doorway and into the Bracket to make sure the Bracket will hold the Door in place, and the Door will clear the Bracket. Make a pencil mark in the middle of the holes in the back plate of the Bracket.



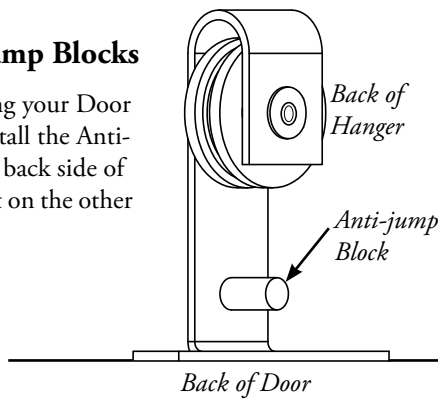
- Using Short Grabber Screws and a Drill with a Phillips bit, attach bracket to your wall.



Adjustable – find desired location and secure with nut

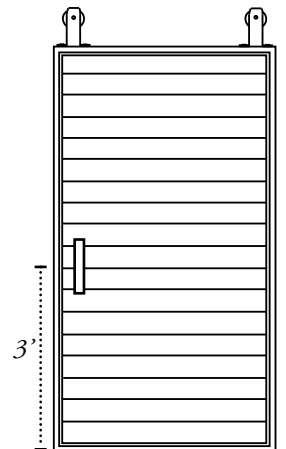
8. Attaching Anti-jump Blocks

- After you have hung your Door onto the Track, install the Anti-jump block on the back side of the Hanger. Repeat on the other side.



9. Attaching Door Pull

- We recommend you do not attach your Door Pull right against a Slat or Door edge, so as not to compromise the integrity of your Door, and to be visually appealing. Vertically, the middle of the Door Pull should be about 3 feet up from your finished floor.



RUSTICAHARDWARE®

www.rusticahardware.com

