

## Contents of Carton

- One Chipper Shredder
- One Operator's Manual
- One Engine Operator's Manual
- One Bottle of Oil
- One Bag
- One Safety Glasses

## Assembly

**NOTE:** This unit is shipped without gasoline or oil in the engine. Fill up gasoline and oil as instructed in the accompanying engine operator's manual BEFORE operating your chipper shredder.

### Chipper Chute (Model Series CS4325 Only)

For shipping reasons, the unit is crated with its chipper chute in a raised position. To pivot it downward, proceed as follows:

1. Pull the spring latch upward.
2. Gently pivot the chipper chute down until it clicks into the lock rod. See Figure 3-1.

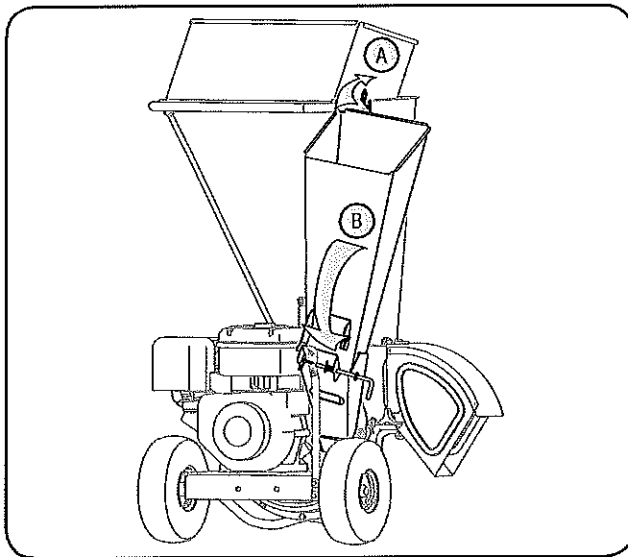


Figure 3-1



**WARNING:** Never operate the chipper shredder with the chipper chute in the raised position. Doing so may result in property damage or serious injury to the operator or bystanders.

### Bag

To attach the bag:

1. Place the opening of the bag completely over the chute deflector. See Figure 3-2.
2. Position the bag so that the wing knobs which secure the chute deflector to the impeller housing are completely covered.
3. Pull on the draw-strap until the bag is tight around chute deflector opening.

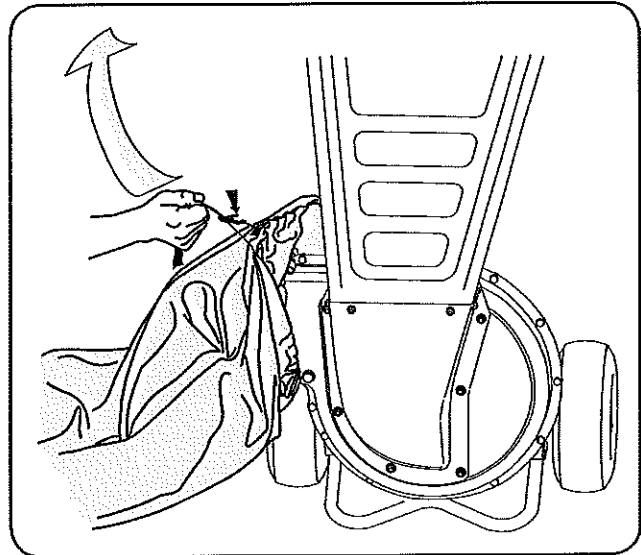


Figure 3-2

## Set-Up

### Gas and Oil Fill-Up

Refer to the separate engine operator's manual for additional engine information.

1. Add oil provided before starting unit for the first time out of the box. Refer to the separate engine operator's manual for information regarding adding and checking the oil.
2. Service the engine with gasoline as instructed in the separate engine operator's manual.



**WARNING:** Use extreme care when handling gasoline. Gasoline is extremely flammable and the vapors are explosive. Never fuel the machine indoors or while the engine is hot or running. Extinguish cigarettes, cigars, pipes and other sources of ignition.



**WARNING:** Never fill fuel tank indoors with engine running or until the engine has been allowed to cool for at least two minutes after running.

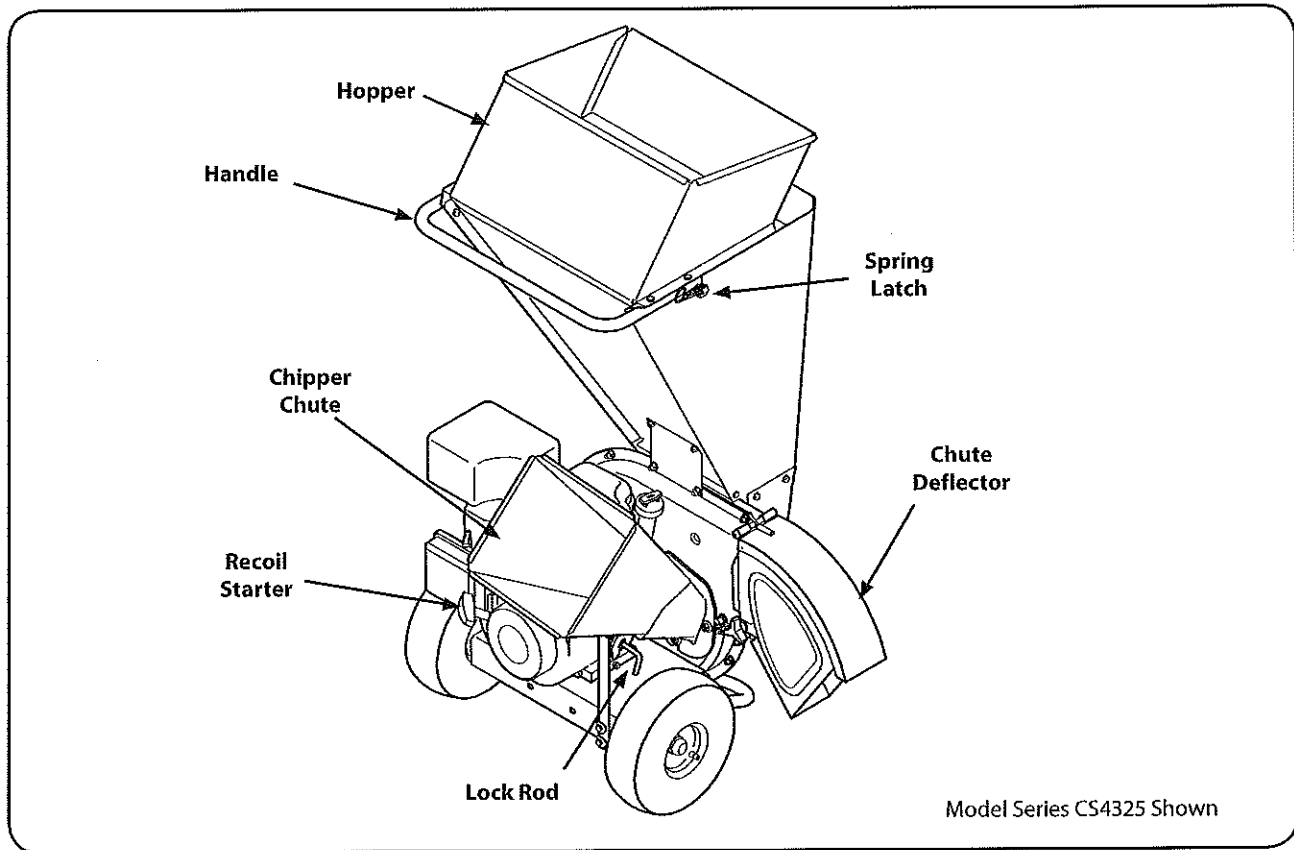


Figure 4-1

## Chipper Chute

Branches up to two inches (model series CS4265) or three inches (model series CS4325) in diameter may be fed into the chipper chute for chipping.

## Hopper

Leaves, twigs, and branches up to 1/2-inch in diameter may be placed into the hopper for shredding. See Figure 4-1.

**IMPORTANT:** Never place branches with a diameter greater than 1/2-inch in the hopper. Doing so can result in serious damage to your unit's shredder blade, flails or impeller.

## Handle

Use the handle when manually transporting the chipper shredder.

## Recoil Starter

The recoil starter is located on the engine. Pull the recoil starter to start engine.

## Engine Controls

See the separate Engine Operator's Manual packed with your unit for the location and function of the engine controls.

## Spring Latch (Model Series CS4325 Only)

The spring latch is located on the top of the hopper. It is used to release or lock the chipper chute in a raised position for storage or for transporting. See Figure 4-1.



**WARNING:** Never operate the chipper shredder with the chipper chute in the raised position. Use the spring latch to lower the chipper chute into the operating position before starting the engine.

## Lock Rod (Model Series CS4325 Only)

The lock rod is located on the chipper chute support. It is used to release or lock the chipper chute in a lowered position for operation.

## Chute Deflector

Debris is discharged from the machine's reduction chamber through the chute deflector.