

DESCRIPTION

- Metal construction with various finishes identified by suffix
- Pressure balancing cycle valve design with an adjustable temperature limit stop
- 1/2" IPS connections
- Includes valve, tub spout, showerhead, arm and flange


OPERATION

- Lever style handle
- Handle operates counterclockwise through a 270° arc with off at 6 o'clock and maximum hot at the 9 o'clock position. Shut off in clockwise direction
- Adjustable temperature limit stop to control maximum hot water temperature
- Pressure balancing mechanism maintains selected discharge temperature to ± 2°

FLOW

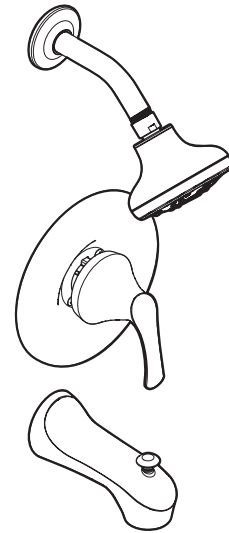
- Designed to deliver 1.75 gpm (6.62 L/min) at 45 psi (for models manufactured after 3/1/18)
- Designed to deliver 2.5 gpm (9.5 L/min) at 45 psi (for models manufactured before 3/1/18)
- EP suffix models are designed to deliver 1.75 gpm (6.62 L/min) at 45 psi

STANDARDS

- Third party certified to: WaterSense®, ASME A112.18.1/CSA B-125.1 and all applicable requirements referenced therein
- Products marked with 1.75 gpm are compliant with California water efficiency regulations
- **ADA**  for lever handle

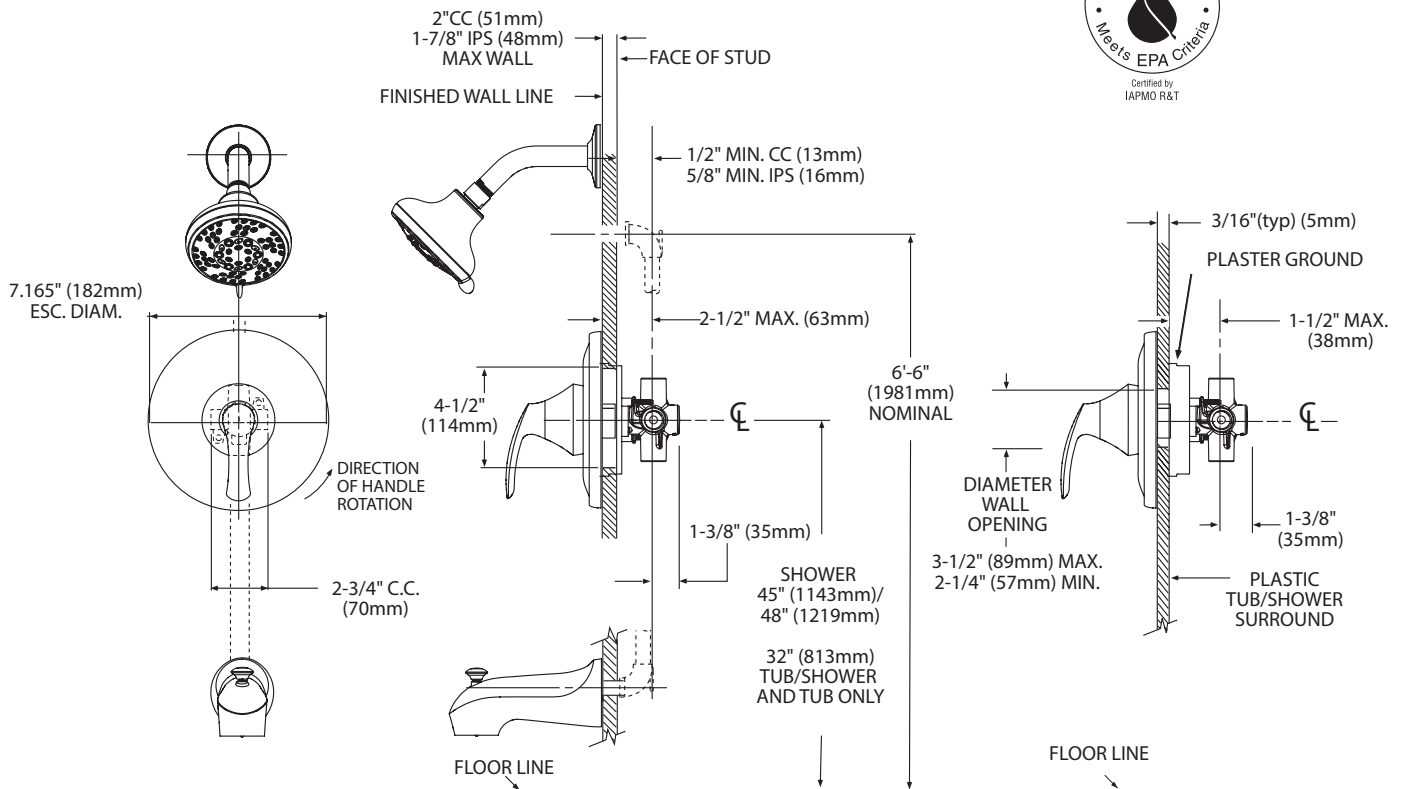
WARRANTY

- Lifetime limited warranty against leaks, drips and finish defects to the original homeowner
 - 10 year limited warranty when used in a multifamily installation
 - 5 year limited warranty when used in a commercial installation
- Visit www.moen.com/support for complete details and limitations



DARCY™ Posi-Temp® Single-Handle Tub/Shower

Models: 82550
82550SRN



Technical Specification

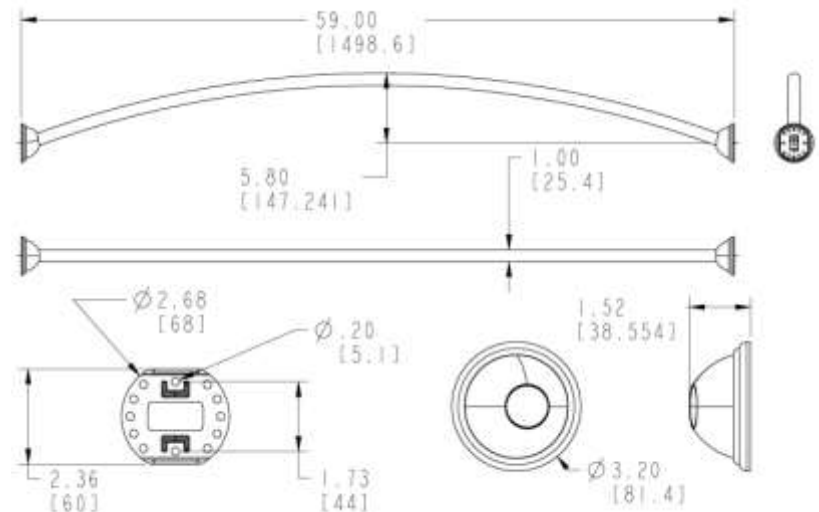
Decorative Curved Shower Rod

CSR2165

Stock Numbers:

- ❑ **CSR2165BN – 5' Decorative Curved Shower Rod**
Brushed Nickel Finish
1" Diameter Rod
Retail Packaging
- ❑ **CSR2165CH – 5' Decorative Curved Shower Rod**
Chrome Finish
1" Diameter Rod
Retail Packaging
- ❑ **CSR2165OWB – 5' Decorative Curved Shower Rod**
Old World Bronze Finish
1" Diameter Rod
Retail Packaging

Dimensions:



Materials:

Brushed Nickel and Chrome Curved Shower Rods are made of .028 (22 gauge) seamless type 304 stainless steel. **Old World Bronze Curved Shower Rods** are made of .028 (22 gauge) seamless type 430 stainless steel. **Brushed Nickel and Chrome Flanges** are stamped from .020 type 304 stainless steel. **Old World Bronze Flanges** are stamped from type 443 stainless steel.

Stock Number: _____ Curved Shower Rod
By Creative Specialties