



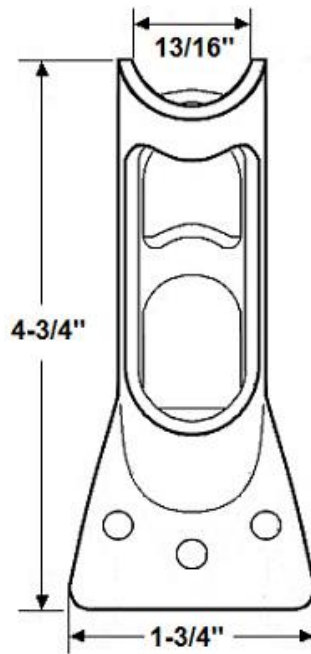
"The Special Finishes Specialist" ©

by St. Simons, Inc.

idhbrass.com

Quality Solid Brass Decorative Hardware & Bath Accessories

Installation Instructions
Premium Grade Solid Brass
Flag Pole Holder for 3/4" Diameter Pole
Item# 18050



Dimensions:

- Overall Height: 4-3/4"
- Base Width: 1-3/4"
- Weight: 8 oz.

*Dimensions are for reference use only.
For exact dimensions, please measure actual part.*

Installation Instructions:

1. Place the bracket in the desired position
2. Mark and drill pilot holes
3. Secure the item using the fasteners provided
4. (Optional): You may also nail in wooden poles using provided slot on the back of the product



Catalog Section: I

Flag Pole Holder for 3/4" Diameter Pole

Item# 18050

Date: Rev 04/18