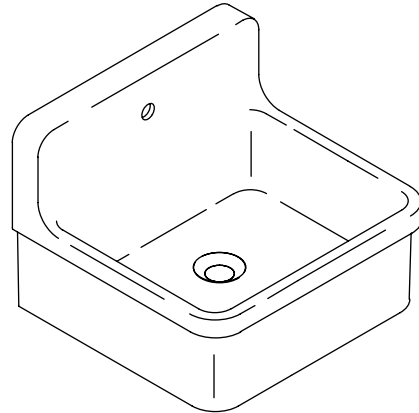


### Features

- Single compartment
- Vitreous china
- Single-center hole (K-12781) or 8" (20.3 cm) centers (K-12787)
- 30" (76.2 cm) x 22" (55.9 cm) x 8-5/8" (21.9 cm)

### SCRUB-UP/PLASTER SINK

**K-12781**  
ALSO K-12787



### Codes/Standards Applicable

Specified model meets or exceeds the following:

- ASME A112.19.2
- IAPMO/UPC
- CSA B45.0
- CSA B45.1
- CSA International
- State of Massachusetts

### Colors/Finishes

- 0: White

### Accessories

- CP: Polished Chrome
- NA: None applicable

### Specified Model

Model	Description	Colors/Finishes
K-12781	Single-center hole sink	<input type="checkbox"/> 0
K-12787	8" (20.3 cm) centers sink	<input type="checkbox"/> 0
<b>Recommended Accessories</b>		
K-1814-P	Wall brackets	<input type="checkbox"/> NA
<b>Optional Accessories</b>		
K-9000	P-trap	<input type="checkbox"/> CP
K-9115	Sink strainer with 1-1/2" (3.8 cm) tailpiece	<input type="checkbox"/> CP

### Product Specification

The scrub-up/plaster sink shall be 30" (76.2 cm) in length, 22" (55.9 cm) in width, and 8-5/8" (21.9 cm) in depth. The sink shall be made of vitreous china. The sink shall be single compartment. The sink shall be single-center hole (K-12781) or 8" (20.3 cm) centers (K-12787). The sink shall be Kohler Model K-\_\_\_\_\_.

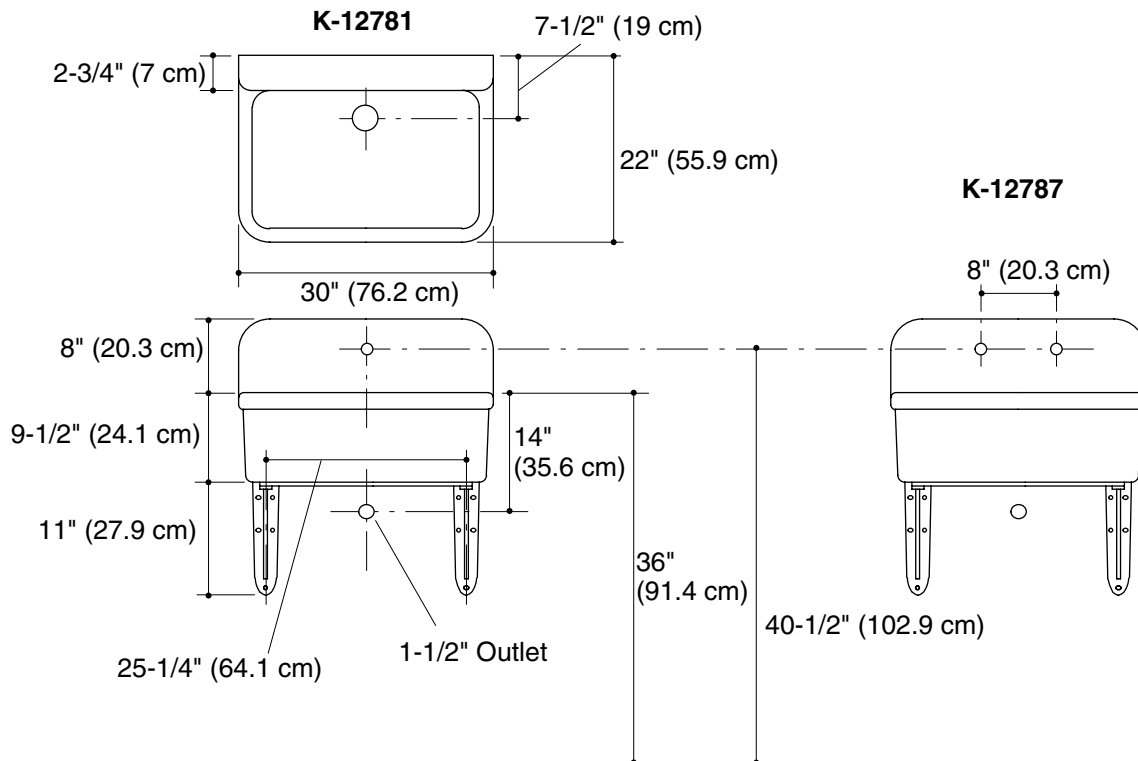
# GILFORD™

## Technical Information

Fixture*:	
Sink	
Basin area	28" (71.1 cm) x 18" (45.7 cm)
Water depth	8-5/8" (21.9 cm)
Outlet	2-1/4" (5.7 cm) D.
Faucet hole	1-3/8" (3.5 cm) D.
* Approximate measurements for comparison only.	

## Installation Notes

Install this product according to the installation guide.



## Product Diagram