

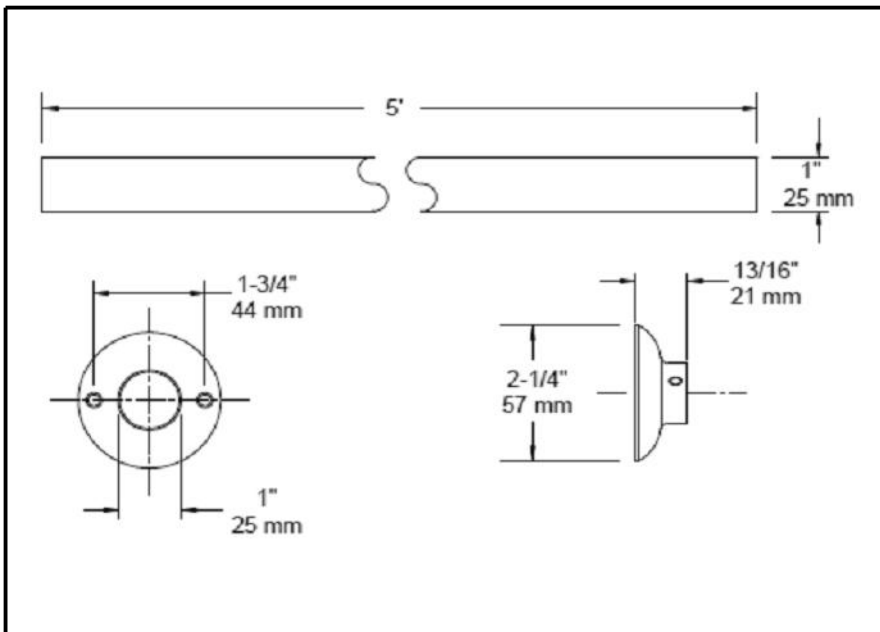


ACCESSORIES

- Stainless Steel Shower Rod
- 5' x 1" Exposed Screw Shower Rod

Submitted Model No.: _____

Specific Features: _____



STANDARD SPECIFICATIONS:

- Install flanges and rod with 4 - #8 x 1-1/4" flat head zinc plated steel screws provided. Tighten set screws on flanges until rod is secure.

WARRANTY

- Limited Lifetime Warranty to the original consumer purchaser to be free from defects in material and workmanship.
- Limited Lifetime Warranty for usage in all industrial, commercial and business applications.