



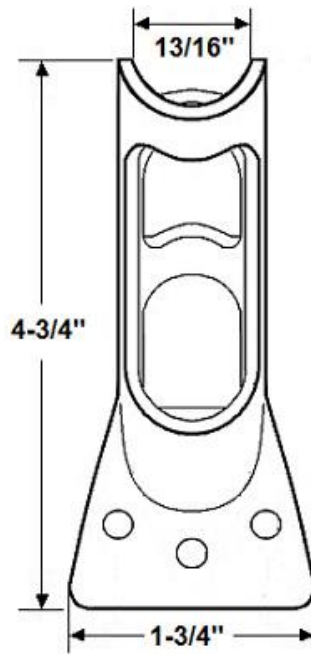
"The Special Finishes Specialist" ©

by St. Simons, Inc.

idhbrass.com

Quality Solid Brass Decorative Hardware & Bath Accessories

Product Data Sheet
 Premium Grade Solid Brass
Flag Pole Holder for 3/4" Diameter Pole
Item# 18050



Dimensions:

- Overall Height: 4-3/4"
- Base Width: 1-3/4"
- Weight: 8 oz.

*Dimensions are for reference use only.
 For exact dimensions, please measure actual part.*

Product Description & Features:

The idh by St. Simons 3/4 in. Solid Brass Flag Pole Holder is a classic addition to any home. This premium quality bracket adds a sleek touch to your flag pole, without compromising stability. Constructed from hot forged brass, this bracket is designed to withstand the test of time, so you can let your colors fly proudly. Demand quality. Demand idh.

Catalog Section: I	Flag Pole Holder for 3/4" Diameter Pole	
	Item# 18050	Date: Rev 04/18