

Features

- Advanced spray engine provides three spray options: powerful massage, intense drenching and wide coverage.
- Wide-coverage spray produces an encompassing spray for everyday use.
- Intense drenching spray delivers a forceful spray ideal for rinsing shampoo from hair.
- Powerful massage is a focused stream for massaging sore muscles or for use as a utility spray.
- MasterClean™ sprayface resists hard-water buildup and is easy to clean.
- Single lever handle allows for simultaneous on/off activation and temperature control.
- Rite-Temp® pressure-balancing technology maintains water temperature within +/- 3°F for antiscalding protection and precise temperature control.
- Includes 1.8-gpm showerhead, shower arm and flange, faceplate, diverter spout with 1/2" NPT or slip-fit connection, and Rite-Temp® pressure-balancing valve with 1/2" connections.
- Coordinates with other products in the Kallan™ collection.

Material

- Premium material construction for durability and reliability.
- KOHLER finishes featuring ScratchShield® technology withstand even the toughest daily use (Brushed Nickel finish only).
- Spot Repel™ finish resists fingerprints, smudges, and water spots (Oil-Rubbed Bronze finish only).

Adapters, Rough-in and Extension Kits

10350 Range: 3-1/2" (89 mm) - 4-1/4" (108 mm)



Codes/Standards

ASME A112.18.1/CSA B125.1
ASSE 1016/ASME A112.1016/CSA B125.16
DOE - Energy Policy Act 1992
EPA WaterSense®
California Energy Commission (CEC)

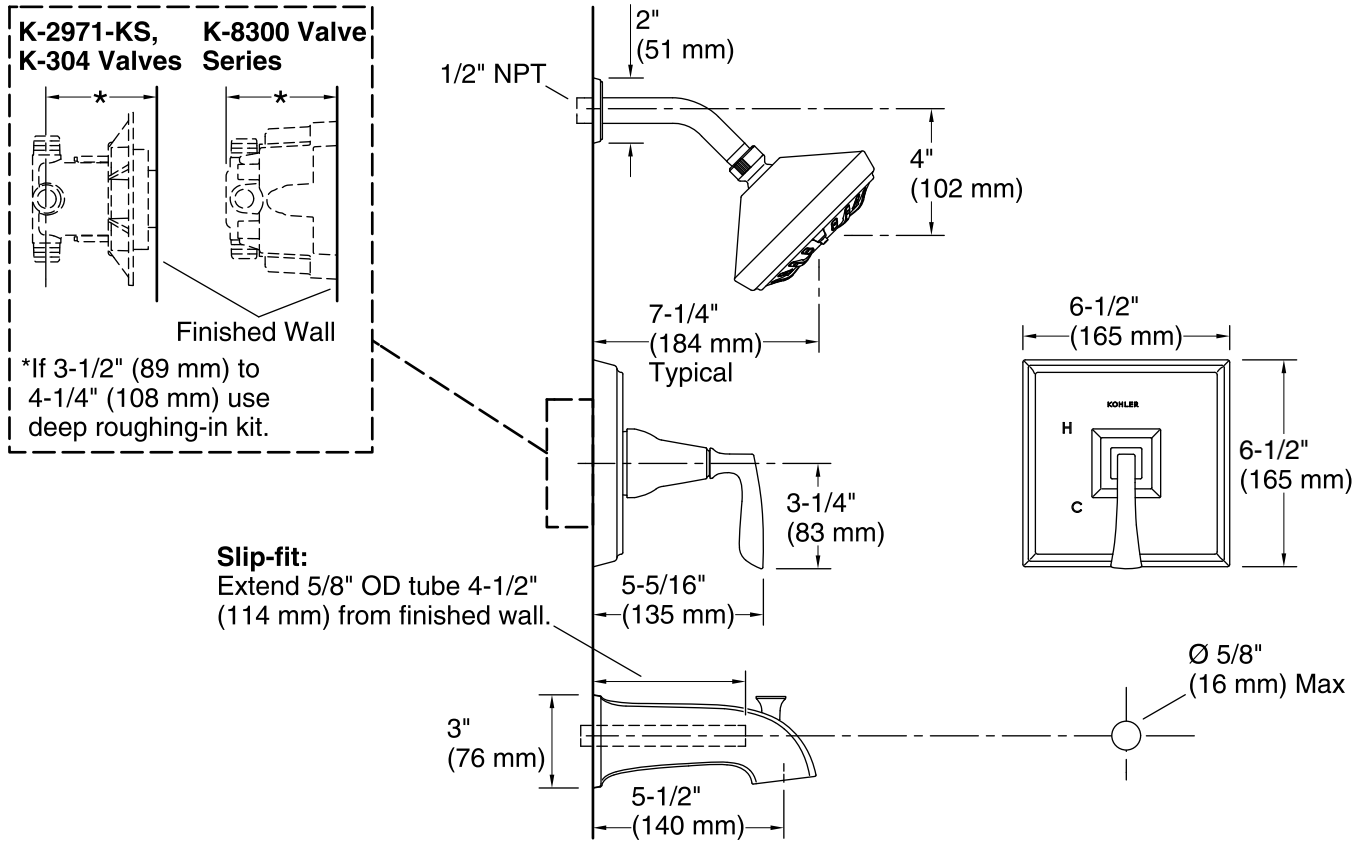
KOHLER® Faucet Lifetime Limited Warranty

See website for detailed warranty information.

Available Colors/Finishes

Color tiles intended for reference only.

| Color | Code | Description |
|--|------|-------------------------|
|  | BN | Vibrant® Brushed Nickel |
|  | 2BZ | Oil-Rubbed Bronze |



Technical Information

All product dimensions are nominal.

Valve body: Machined-brass

Showerhead/Body Spray:

Rated maximum flow: 1.8 gal/min (6.8 l/min)

Pressure: 80 psi (5.5 bar)

Notes

For use with automatic compensating valves rated at 1.05 gal/min (4 l/min) or less.

Install this product according to the installation instructions.

Install straight pipe or tube drop of 7" (178 mm) to 18" (457 mm) with single elbow between the valve and the wall-mount spout.