

### Features

- Fits in the bowl of the K-6546 Dickinson kitchen sink.
- Durable stainless-steel construction.
- Helps protect sink surface from daily wear.
- Dishwasher safe.
- Rubber feet provide added protection.



### Codes/Standards


None Applicable

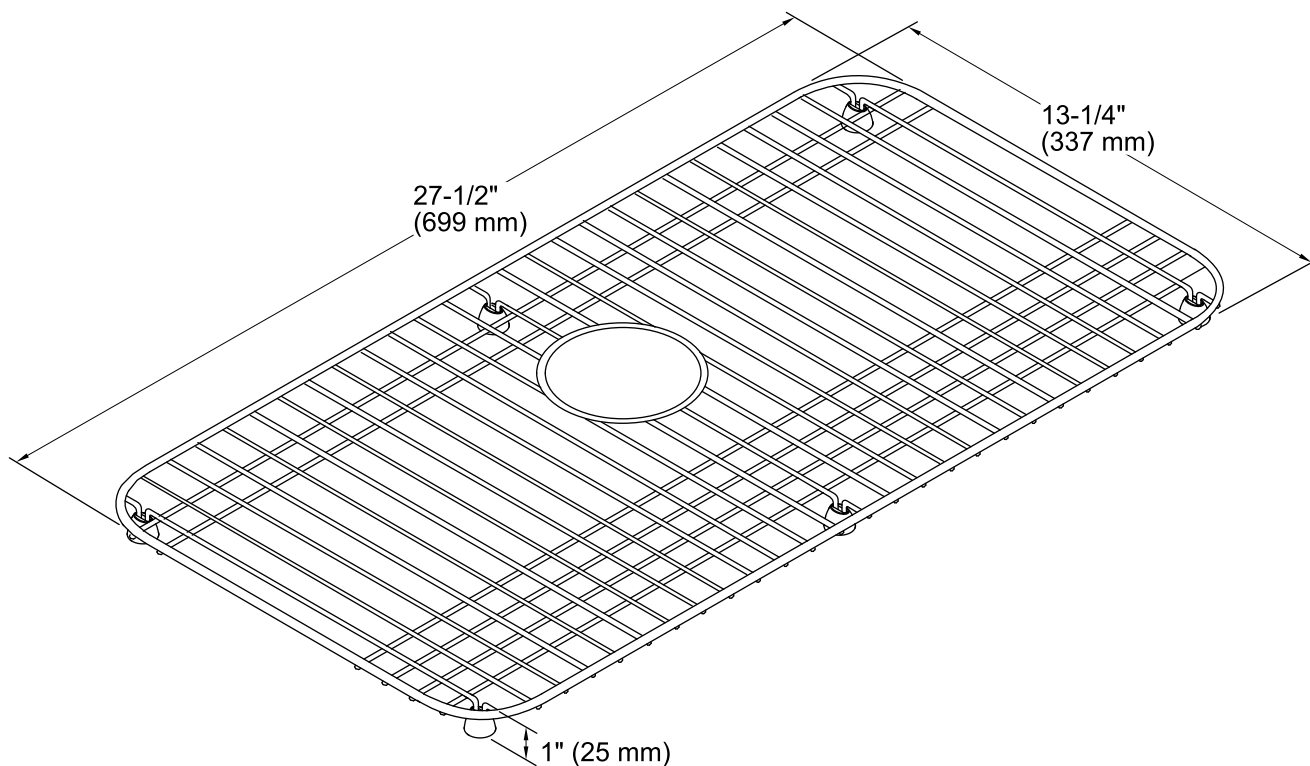
### KOHLER® One-Year Limited Warranty

See website for detailed warranty information.

### Available Color/Finishes

*Color tiles intended for reference only.*

Color	Code	Description
	ST	Stainless Steel



#### Technical Information

All product dimensions are nominal.