



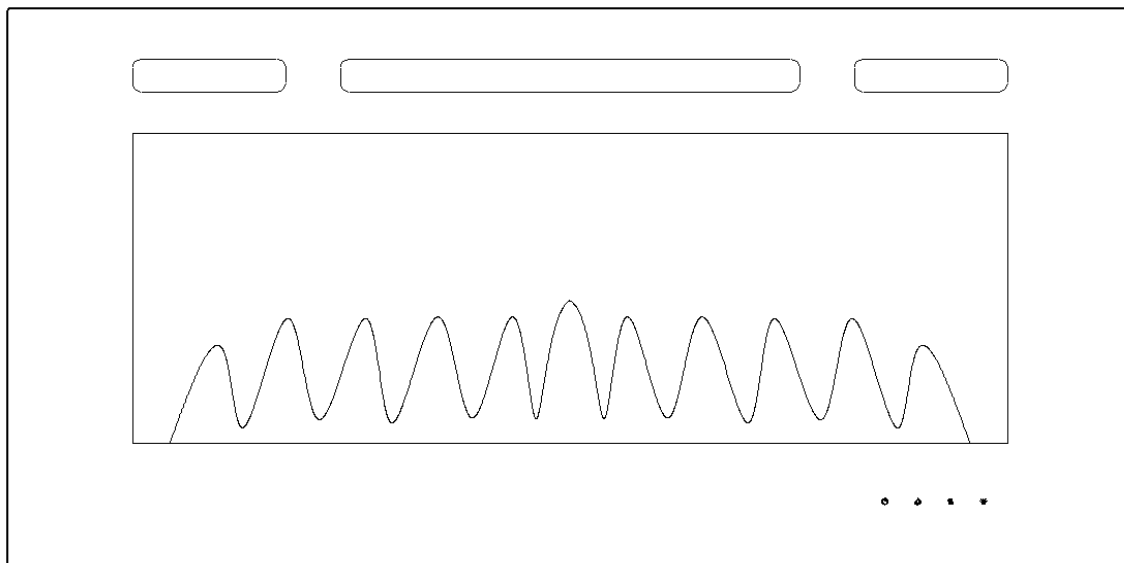
Homeowner's Installation Instructions & Operating Manual

Model: DY-BTW40 - DY-BTW84

READ AND SAVE THESE INSTRUCTIONS

READ CAREFULLY BEFORE ATTEMPTING TO ASSEMBLE, INSTALL, OPERATE OR MAINTAIN THE PRODUCT DESCRIBED.

PROTECT YOURSELF AND OTHERS BY OBSERVING ALL SAFETY INFORMATION. FAILURE TO COMPLY WITH INSTRUCTIONS COULD RESULT IN PERSONAL INJURY AND/OR PROPERTY DAMAGE.



WARNING! To reduce the risk of fire, electric shock, or personal injury, read all the instructions before using this heater.



Dynasty Fireplaces

#10-3071 No.5 Road, Richmond, BC V6X 2T4 Canada

CONTENTS

CSA / Power Cord Labels	2
Important Safety Information & Warnings.....	3
Preparation	5
Packing List	5
Product Dimension	6
Assembly	7
Battery Information	11
Operation	11
Control Panel	12
Remote Control	13
Care and Maintenance	14

CSA / POWER CORD SAFETY LABELS

CSA Rating Label	Power Cord Warning Label												
<p>ELECTRIC FIREPLACE</p> <table style="width: 100%; border-collapse: collapse;"> <tr> <td style="width: 30%;">MODEL</td> <td>EF173B</td> </tr> <tr> <td>VOLTAGE</td> <td>120V AC</td> </tr> <tr> <td>FREQUENCY</td> <td>60 Hz</td> </tr> <tr> <td>AMPERAGE</td> <td>12.5 A</td> </tr> <tr> <td>WATTS</td> <td>1500 W</td> </tr> <tr> <td>SERIAL NO.:</td> <td> </td> </tr> </table> <p>NINGBO RICHEN ELECTRICAL APPLIANCE CO., LTD.</p>	MODEL	EF173B	VOLTAGE	120V AC	FREQUENCY	60 Hz	AMPERAGE	12.5 A	WATTS	1500 W	SERIAL NO.:	 	<div style="text-align: center;">  WARNING! TO REDUCE THE RISK OF FIRE  </div> <ol style="list-style-type: none"> 1. ALWAYS plug heaters directly into a wall outlet/receptacle. Never use with an extension cord or relocatable power tap(outlet/power strip). 2. Check your heater cord and plug connections. A loose fitting outlet can cause the plug to overheat or cause a fire. Be sure plug fits tight in the outlet. Check frequently during use to make sure plug and outlet are not hot. If so, discontinue using heater and have outlet replaced by a qualified electrician. NOTE: Heaters draw more current than small appliances, overheating of the outlet may occur even if it has not occurred with the other appliances. 3. ALWAYS unplug heater when not in use. 4. DO NOT operate heater with a damaged cord or plug or after the heater malfunctions, has been dropped or damaged in any manner. Discard heater or return to an authorized service facility for examination and/or repair. 5. DO NOT run cord under carpeting. DO NOT cover cord with throw rugs, runners, or similar coverings. DO NOT route cord under furniture or appliances. Arrange cord away from traffic area and where it will not be tripped over. (This item may be omitted for ceiling-hung heaters). <p style="text-align: center;">DO NOT REMOVE THIS TAG!</p>
MODEL	EF173B												
VOLTAGE	120V AC												
FREQUENCY	60 Hz												
AMPERAGE	12.5 A												
WATTS	1500 W												
SERIAL NO.:	 												

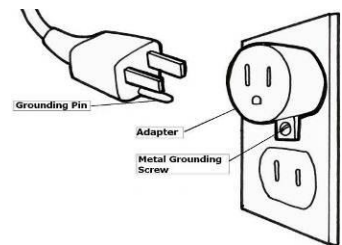
IMPORTANT SAFETY INFORMATION!

WARNING

- **Read all instructions before using this heater!**
- This heater is **hot when in use**. To avoid burns, **DO NOT** let bare skin touch **hot** surfaces. If provided, use handles when moving this heater. Keep **combustible materials**, such as furniture, pillows, bedding, papers, clothes, and curtains at least **3 feet (0.9m)** from the **front of the heater**, and **keep them away from the sides and rear**.
- **Extreme caution** is necessary when any heater is used by or near **children** or **invalids** and whenever the heater is left **operating and unattended**.
- **DO NOT** operate any heater with a **damaged cord or plug** or after the **heater malfunctions**, has been **dropped** or **damaged in any manner**. Discard heater, or return to authorized service facility for examination and/or repair.
- **DO NOT** run **power cord** under carpeting. **DO NOT** cover power cord with throw rugs, runners, or similar coverings. **DO NOT** route power cord under furniture or appliances. Arrange power cord **away from traffic** area, and where it will not be tripped over.
- **DO NOT** insert or allow **foreign objects** to enter any **ventilation or exhaust opening**, as this may cause **electric shock** or **fire**, or **damage the heater**.
- To prevent a possible fire, **DO NOT** block air intakes or exhaust in any manner. Doing so could cause a **fire**. **DO NOT** use on soft surfaces, like a bed, where openings may become blocked.
- A heater has **hot and arcing or sparking parts inside**. **DO NOT** use it in areas where **gasoline, paint, or flammable liquids** are used or stored.
- Use this heater only as described in this manual. Any other use not recommended by the manufacturer may cause fire, electric shock, or injury to persons.
- **ALWAYS** plug heaters directly into a wall outlet/receptacle. **NEVER** use with an extension cord or relocatable power tap (outlet/power strip).
- **DO NOT** place the heater near a bed because objects such as pillows or blankets can fall off the bed and be ignited by the heater.
- **NEVER** use this heater in **bathrooms, laundry rooms**, or any other location where the heater could fall into a **bathtub** or **pool, become damp**, or **come in contact with water**.
- **AVOID FIRE!** Regularly inspect all air vents to make sure they are free from dust, lint, or other blockage. **Unplug the unit** and clean with a **vacuum ONLY**. **DO NOT** rinse or get wet.
- **NEVER** hang this unit on a wall **directly below an electrical outlet**.
- **NEVER** permanently install in a recessed area of the wall. This may result in **blocked air flow, overheating, or fire**.
- **ALWAYS** mount to wall bracket before use.
- **NEVER** use a wall mount bracket from another manufacturer.

WARNING

- **WARNING: REDUCE THE RISK OF FIRE OR ELECTRIC SHOCK---DO NOT USE THIS HEATER WITH ANY SOLID STATE SPEED CONTROL DEVICES.**
- **For residential use only! NOT for commercial use!** Any commercial or public use of this heater **voids all warranties**, and could cause **injury**.
- This product is **not intended** to be a **primary heat source**. It is for **supplemental heat only**.
- **INDOOR use only! NEVER** use this heater **outdoors!** Doing so may result in **electric shock!**
- **Risk of electric shock! DO NOT OPEN!** No user-serviceable parts inside!
- **NEVER modify this heater.** Doing so could result in personal **injury** or property **damage**. Modification of this fireplace **completely voids all warranties**.
- **ALWAYS** turn this heater off before unplugging it from the outlet.
- **ALWAYS disconnect** this unit from the **power supply before** performing any assembly or cleaning, or before relocating the electric fireplace.
- **NEVER** leave this heater unattended. **ALWAYS** unplug this heater when not in use.
- **ALWAYS** store this heater in a dry location. **NEVER** use the fireplace if it has become wet.
- **ONLY** use this heater on a **120V AC 15-Amp circuit**. **NEVER overload the circuit**. If this heater trips the circuit breaker, unplug all other appliances on the same circuit before the next use. Avoid plugging other appliances into the same circuit as this heater.
- **NEVER** plug this heater into an outlet that is **old, cracked**, or has any **loose wires or connections**. Plugging this heater into a faulty outlet could result in **electric arcing** within the outlet that could cause the **outlet to overheat or catch fire**.
- **ALWAYS** check your heater cord and plug connections with **each use!**
 - a. **MAKE SURE** the plug fits tight in the outlet! Faulty wall outlet connections or loose plugs can cause the outlet to overheat.
 - b. **Heaters draw more current** than small appliances. **Overheating** may occur even if it has not occurred with the use of other appliances.
 - c. During use **check frequently** to see if the **plug outlet or faceplate is HOT!** If the outlet or faceplate is **HOT, discontinue use immediately** and have a qualified electrician inspect and/or replace the faulty outlets.
- This heater has a **polarized plug (one blade is wider than the other)**. As a safety feature to reduce the risk of electrical shock, this plug is intended to fit in a polarized outlet only one way. If the plug does not fit fully in the outlet, reverse the plug. If it still does not fit, contact a qualified electrician. Do not attempt to defeat this safety feature.
- **SAVE THESE INSTRUCTIONS!**



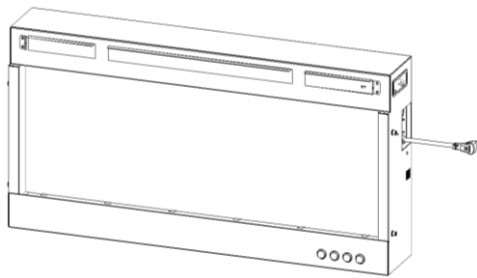
PREPARATION



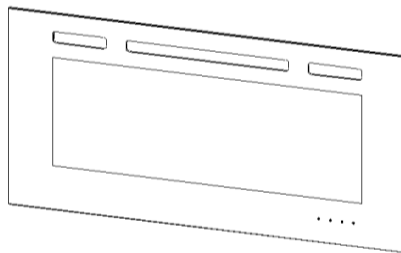
This carton includes **GLASS! ALWAYS** use **extreme caution** when handling **glass**. Failure to do so could result in **personal injury** or **property damage**.

Remove all parts and hardware from the carton and place them on a clean, soft, dry surface. Parts and assembly steps are grouped for free-standing or wall-hanging use. Check the parts list to make sure nothing is missing. Dispose of packaging materials properly. Please recycle whenever possible.

PACKING LIST



A - Fireplace (1)



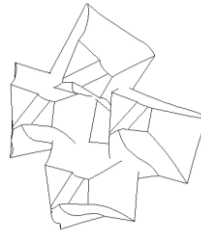
B-Glass Panel (1)



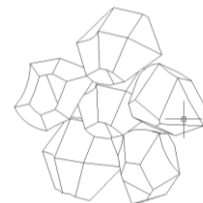
C-Remote Control (1)



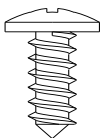
D-AAA Battery (2)



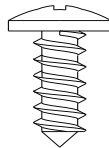
E-Larger Crystal Stones (1 set)



F-Small Crystal Stones (1 set)



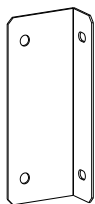
G- ST 3*8 Metal Screws (2)



H- ST 4*10 Metal Screws (4)



I- ST 4*25 Wood Screws (4)



J- Fixing Brackets (2)

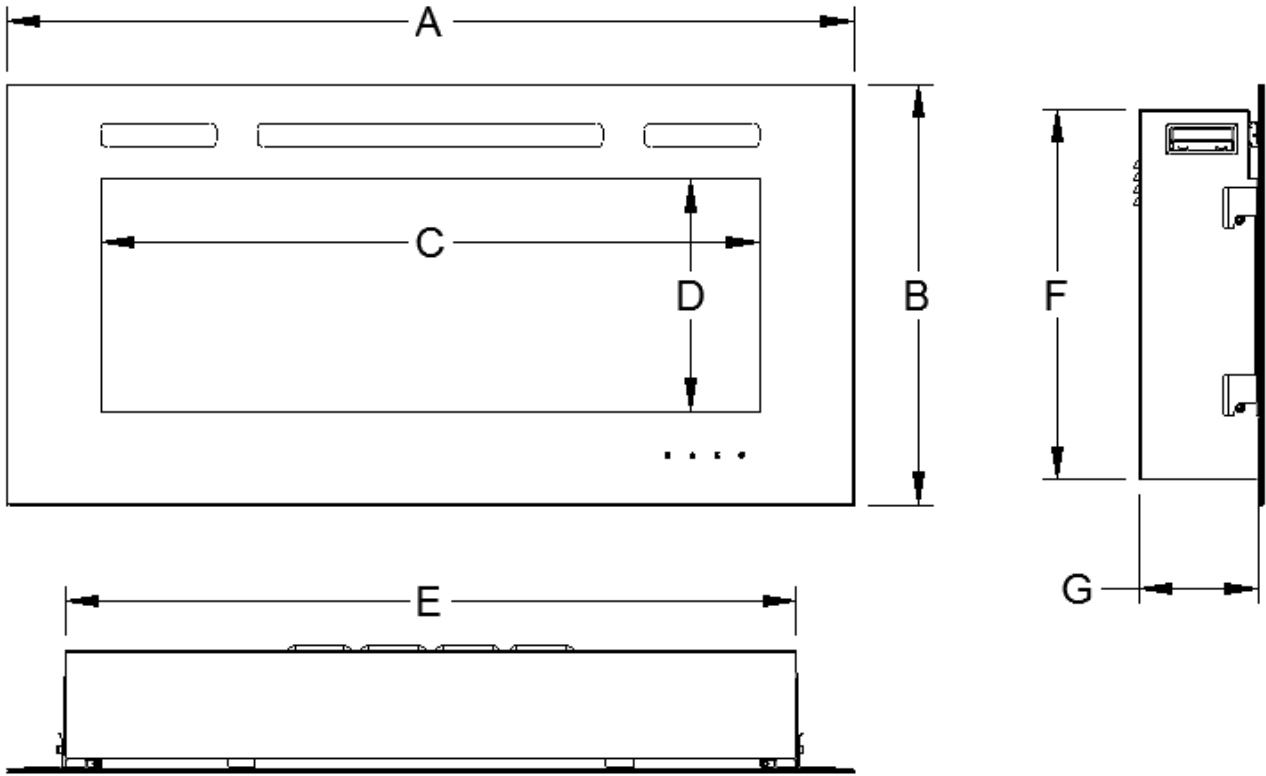


K- Washers (4)



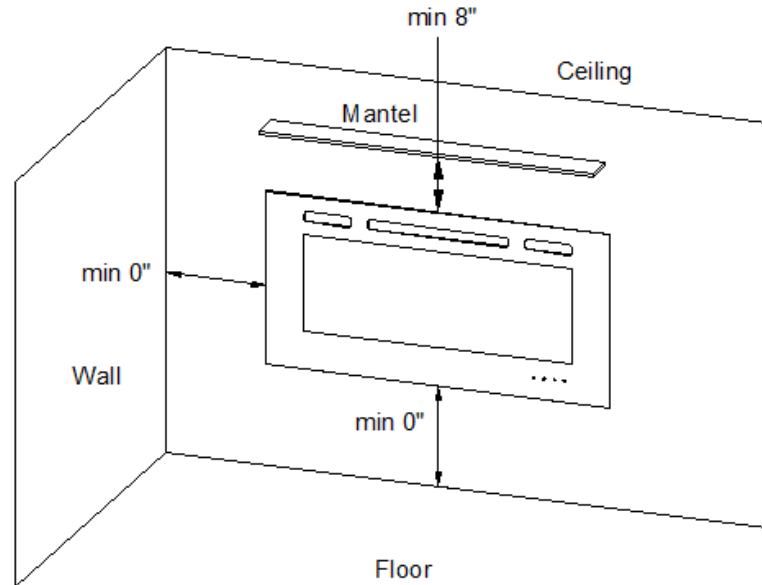
L- Owner's Manual (1)

PRODUCT DIMENSION

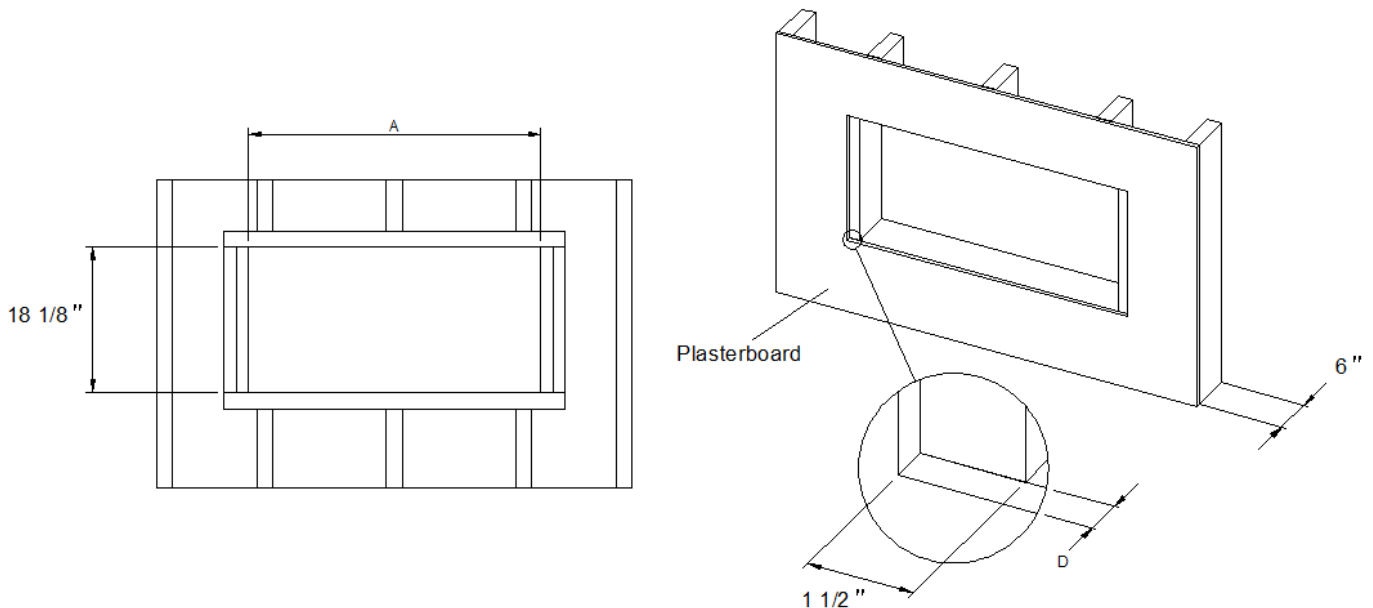


Model	A	B	C	D	E	F	G
EF172B(DY-BT40)	40 9/16" (1030mm)	20 1/4" (515mm)	31 1/2" (800mm)	11 1/4" (285mm)	35" (888mm)	17 13/16" (453mm)	5 11/16" (145mm)
EF173B(DY-BTW48)	48 7/16" (1230mm)	20 1/4" (515mm)	39 3/8" (1000mm)	11 1/4" (285mm)	42 13/16" (1088mm)	17 13/16" (453mm)	5 11/16" (145mm)
EF174B(DY-BTW60)	60 1/4" (1530mm)	20 1/4" (515mm)	51 3/16" (1300mm)	11 1/4" (285mm)	54 5/8" (1388mm)	17 13/16" (453mm)	5 11/16" (145mm)
EF175B(DY-BTW68)	68 1/8" (1730mm)	20 1/4" (515mm)	59 1/16" (1500mm)	11 1/4" (285mm)	62 1/2" (1588mm)	17 13/16" (453mm)	5 11/16" (145mm)
EF176B(DY-BTW84)	83 7/8" (2130mm)	20 1/4" (515mm)	74 13/16" (1900mm)	11 1/4" (285mm)	78 1/4" (1988mm)	17 13/16" (453mm)	5 11/16" (145mm)

ASSEMBLY

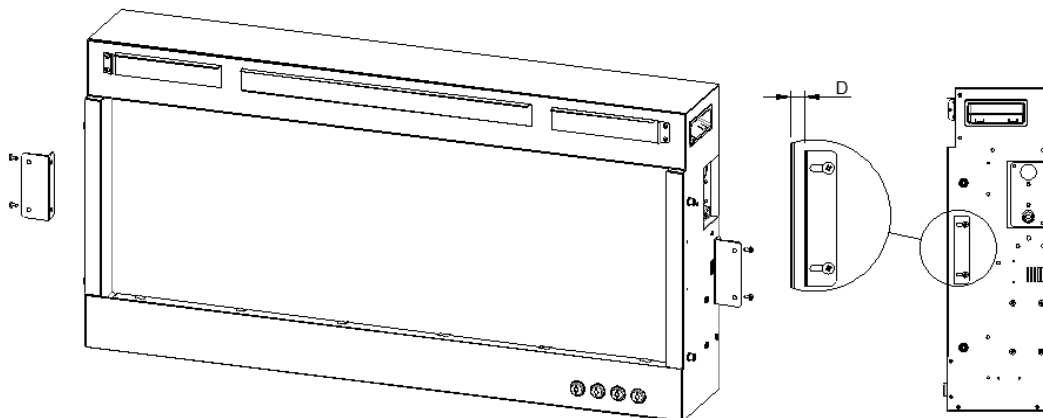


STEP 1. Find a safe location. Minimum clearance from the ceiling and the mantel must be at least **8 inches (200mm)**; minimum clearance from the **front** must be at least **3 feet (900 mm)**. Choose a location near an outlet so an extension cord is not required. **DO NOT** position the unit directly below a power outlet. **See Safety Information on pages 3 and 4 for more warnings about placement, installation, and use of this product.**

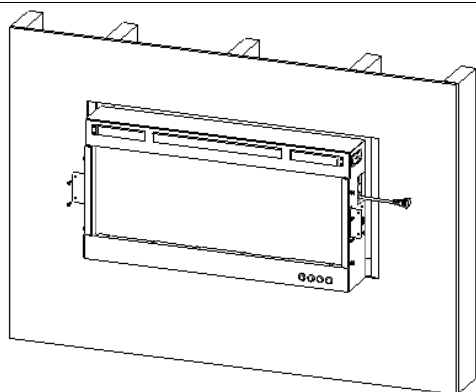


MODEL	DY-BT48	EF173B	DY-BT60	EF175B	EF176B
A	36 7/16" (925mm)	44 5/16" (1125mm)	56 1/8" (1425mm)	64" (1625mm)	79 3/4" (2025mm)

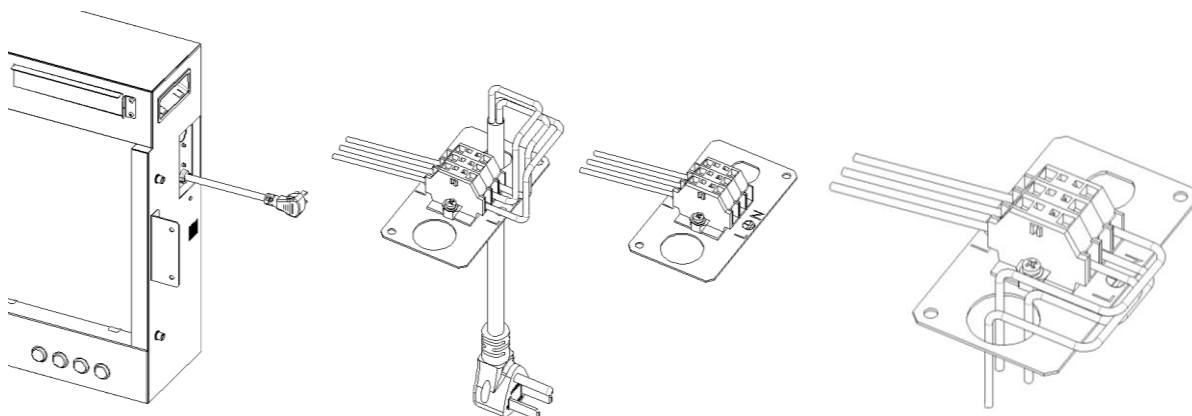
STEP 2. Take model EF173B as an example. Prepare a wall with a framed opening of 44 5/16" (1125mm) wide × 18 1/8" (460mm) high. Make sure the width of the wood block on both sides which used to fix the fireplace is 3". (76mm) Make sure that the revealed wood block width on both sides is about 1 1/2" (37.5mm) after finishing the plasterboard. Measure the depth D from the plasterboard surface to the wood block and write it down.



STEP 3. Take out the two fixing brackets and 4pcs ST4X10 screws with 4 washers to fix on the left and right side panel of the unit. Make sure the distance from the fixing brackets to the fireplace surface is equal to D in order to make sure the firebox surface is not lower than the plasterboard surface.



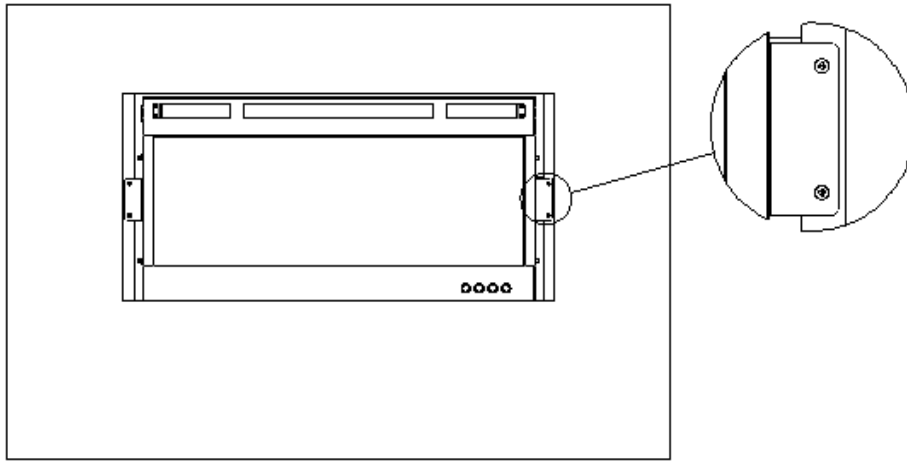
A.



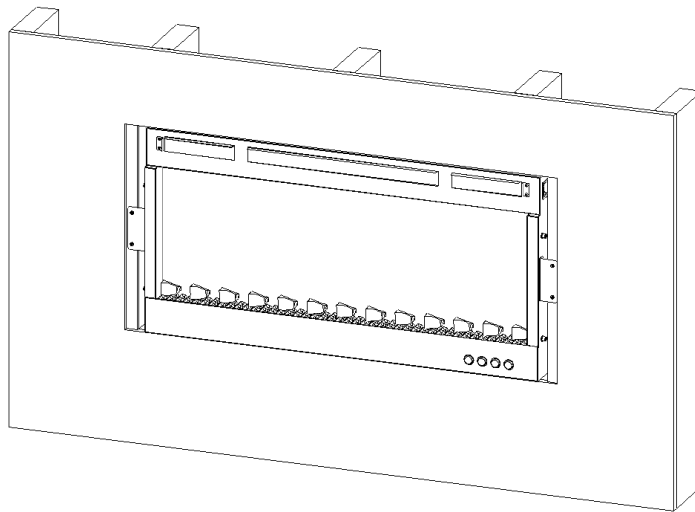
B.

STEP 4. There are two kinds of electrical connections. A. Existing appliance installation. Drag the power cord through the hole and plug it into the outlet and push the unit into the recessed wall in parallel. If an existing grounded outlet is near the appliance, the power cord can run behind the appliance. If the cord is not long enough to reach the outlet, a grounded extension cord minimum AWG No. 14 wiring and rated to a minimum or 1875 watts may be used. B. Hard-wire installation. If it is necessary to hard wire this appliance, a qualified electrician may remove the cord connection, and wire the appliance directly to the house hold wiring. The appliance must be electrically connected and grounded in accordance with local codes. 1. Remove the cord connection. 2. Wire to a properly grounded, 120volt, 60Hz, 15 AMP circuit. 3. Ensure all junction block connections are tight. 4. Replace the cover and retaining screws.

NOTE! To reduce the risk of fire, do not run the power cord under rugs, carpets, etc. Arrange the power supply cord away from high traffic areas where it may be pose a tripping hazard.



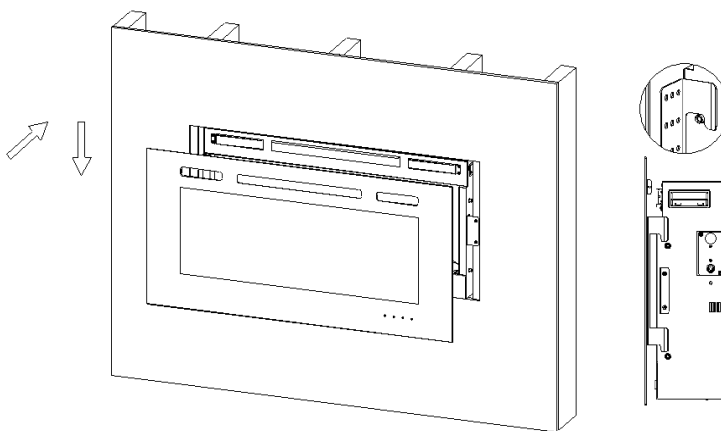
STEP 5. Fix the 4pcs ST4X25 screws on the wood block. Make sure the front of the firebox is not lower than the surface of the wall.



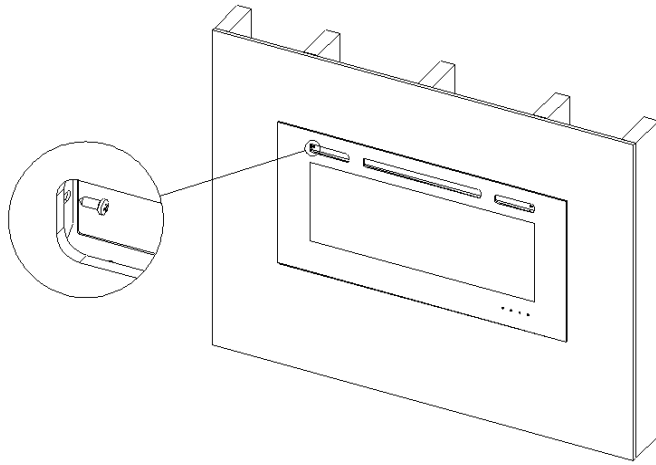
STEP 6. Carefully spread the small crystal stones across the fuel bed. Then evenly arrange the larger crystal stones along the inset window ledge at the front of the firebox.



The next step requires installation of a **GLASS panel!** The manufacturer recommends that two adults install the glass panel. Always use **extreme caution** when handling **glass**. Failure to do so could result in **personal injury** or **property damage**.



STEP 6. Carefully set both hooks of the front glass panel onto the firebox. **NOTE: Make sure the glass fully attached to the firebox so that the control panel can work properly.** This will keep the decorative glass in place and enable the control panel work.



STEP 7. Thread the ST3x8 screws **(2)** into the threaded holes on the glass panel. Check the alignment of the glass panel and securely tighten the screws.

BATTERY INFORMATION

Remote Control Battery

- This remote control uses **two AAA batteries** (included).
- Instructions for battery installation are inside the Remote Control battery compartment.
- Always replace the battery in the remote control with the same type of battery.



NEVER dispose of batteries in **fire**. Failure to observe this precaution **may result in an explosion**. Dispose of batteries at your local hazardous material processing center, or as required by local ordinances.

OPERATION



Read and understand this entire owner's manual, including **all safety information**, before **plugging in** or **using** this product. Failure to do so could result in **electric shock, fire, serious injury, or death**.

Power

Make sure the ON/OFF switch, located on the control panel, is in the OFF position. Plug the power cord into a 110~120 Volt 15 Amp outlet (see **IMPORTANT SAFETY INFORMATION** on **Pages 3 and 4**). Make sure the outlet is in good condition and that the plug is not loose. **NEVER** exceed the maximum amperage for the circuit. **DO NOT** plug other appliances into the same circuit.

Temperature Limiting Control

This heater is equipped with a Temperature Limiting Control. Should the heater reach an unsafe temperature (212°F / 100°C), the heater will automatically turn OFF. To reset:

1. Unplug the power cord from the outlet.
2. Turn the ON/OFF switch on the CONTROL PANEL to OFF. **Wait at least 5 minutes.**
3. Inspect the fireplace to make sure no vents are blocked, or clogged with dust or lint. If they are, use a vacuum to clean the vent areas.
4. With the POWER switch in the OFF position, plug the power cord back into the outlet.
5. If it switches off again, **UNPLUG THE HEATER RIGHT AWAY!** Have the outlets, wiring, and breaker box inspected by a professional. Make necessary repairs before using the heater.

Heater Rating

Maximum Heat Output: 1500 W (5120 BTU); Maximum Heating Area: 400 square feet.

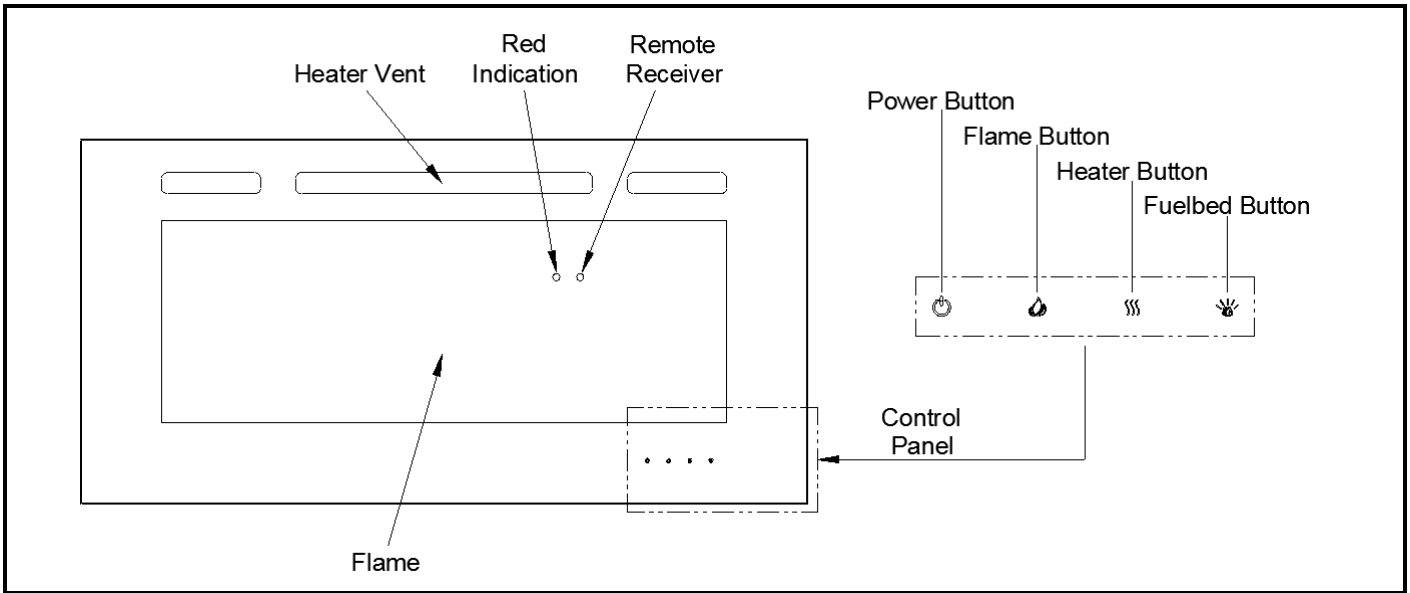
Methods of Operation

CONTROL PANEL: Located on the front glass panel of the fireplace (see figure below). Controls ON/OFF, FLAME EFFECT, HEATER and FUEL BED.





REMOTE CONTROL (Battery included):

Controls ON/OFF, FLAME EFFECT, HEATER, THERMOSTAT, TIMER and FUEL BED.

Review the **IMPORTANT SAFETY INFORMATION** on **Pages 3 and 4** before operating.



CONTROL PANEL

BUTTON	FUNCTION	ACTION & INDICATION
 ON/OFF	ON: Turns on. OFF: Turns off.	<ol style="list-style-type: none"> 1. Press to turn the power on. 2. Press to turn the power off.
 FLAME	Controls the flame effect brightness. Cycles through 4 levels of flame brightness.	<ol style="list-style-type: none"> 1. Press once to turn the flame effect on. 2-4. Press again to cycle through 4 levels of flame brightness.
 HEATER	Controls the 3 levels heat.	The heater will be cycled Low – High – Heater Off. You will see the indicator light illuminates. The indicator light goes out within 10s. Low: (●○) High: (●●)
 FUEL BED	Controls the LED light strips at the bottom of the fuel bed. The LED lights include alternating color combinations.	<ol style="list-style-type: none"> 1. Press once to turn the fuel bed light on. 2-14. Press again to cycle through 14 color options of the fuel bed.








NOTICE When the heater is first turned on, a slight odor may be present. This is normal and should not occur again unless the heater is not used for a long period of time.

NOTICE Do not move or remove the glass panel when the appliance is plugged in and operating. This will cause the control panel to no longer function.

Remote Control

NOTICE

Aim the remote control at the **remote receiver**. Make sure you **hear a beep each time you press the button!** If not, the fireplace **will not respond** to the signal.

BUTTON	FUNCTION	ACTION & INDICATION
 ON/OFF	ON: Turns on. Note: All the functions are off in the standby mode, it will memorize the working condition of flame effect and heating. OFF: Returns the unit to standby mode.	1. Press. The flame effect and the remote control functions are enabled. The flame setting will display on the remote control screen. 2. Press. The flame effect and all the functions will turn off. The remote control screen will go blank.
 FLAME	Controls the flame effect brightness. Cycles through 4 levels of flame brightness .	1. Press once to turn the flame effect on. 2-4. Press again to cycle through 4 levels of flame brightness .
 HEATER	Press once turns Fan on, and 10s later Low heat on. (Pilot lights illuminated ●○) Press again turns on High heat. (Pilot lights illuminated ●●) Press third time turns heat off. 10s later fan off (Pilot lights illuminated ○○)	1. Press. The heater turns on low heat. 2. Press. The heater turns on high heat. 3. Press. Turn off the heat.
 TEMP	Controls the thermostat setting. Thermostat: Automatically turns the heater on and off to maintain the temperature. If the thermostat is set below the room temperature, the heater will turn off. NOTE: The thermostat only works when the heater is on. NOTE: The heat will not change as the room temperature change when there is no temperature shows on the remote screen. NOTE: It will change between °C and °F after pressing the button for 3s. 60-84°F corresponds to 16-28°C. It can not be operated in the standby mode, but the temperature still displays on the remote control screen.	1. Turn the heat on. Press. The temperature displays 24°C. 2-13. Press again to increase the temperature by 1°C interval up from 16°C to 28°C (maximum setting). 14. Press again. The thermostat turns off. No temperature is displayed. 15. Press. Start at 23°C.
 TIMER	Controls the timer settings. The timer turns off the fireplace at the set time, from 0.5 hours to 9.0 hours.	1-10. Press .  Timer setting: 0.5H, 1.0H, and then each hour up to 9.0H. 11. Press. Off. No time is displayed.
 FUEL BED	Controls the LED light strips at the bottom of the fuel bed.	1. Press once to turn the fuel bed light on. 2-14. Press again to cycle through 14 color options of the fuel bed.

CARE AND MAINTENANCE



ALWAYS turn the heater **OFF** and **unplug the power cord from the outlet** before cleaning, performing maintenance, or moving this fireplace. Failure to do so could result in **electric shock, fire, or personal injury**.

Cleaning



NEVER immerse in water or **spray with water**. Doing so could result in **electric shock, fire, or personal injury**.

Metal:

- Buff using a soft cloth, slightly dampened with a citrus oil-based product.
- **DO NOT** use brass polish or household cleaners as these products will damage the metal trim.

Glass:

- Use a good quality glass cleaner and dry thoroughly with a paper towel or lint-free cloth.
- **NEVER** use abrasive cleansers, liquid sprays, or any cleaner that could scratch the surface.

Plastic:

- Wipe gently with a slightly damp cloth and a mild solution of dish soap and warm water.
- **NEVER** use abrasive cleansers, liquid sprays, or any cleaner that could scratch the surface.

Vents:

- Use a vacuum or duster to remove dust and dirt from the heater and vent areas.
- Clean the exterior of the fireplace with a slightly damp cloth or duster.

Maintenance



Risk of electric shock! DO NOT OPEN! No user-serviceable parts inside!



ALWAYS turn the heater **OFF** and **unplug the power cord from the outlet** before cleaning, performing maintenance, or moving this fireplace. Failure to do so could result in **electric shock, fire, or personal injury**.

Electrical and Moving Parts:

- The fan motors are lubricated at the factory and will not require lubrication.
- Electrical components are integrated in the fireplace and are not serviceable by the consumer.

Storage:

- Store heater in a clean dry place when not in use.

Replacement parts:

- Use only replacement parts supplied by the manufacturer. Use of any other parts, or modifying the fireplace in any way, will void all warranties.
- No internal parts are replaceable or serviceable.

WARRANTY

In the unlikely event of a problem occurring due to a manufacturing fault within 24 months from the date of purchase of the appliance it will be repaired or replaced free of charge.

This warranty does not cover consumable items such as the bulbs and fuses which have a limited lifespan.

If a problem should occur, the nature of the problem together with the date of a purchase should be immediately reported to the retailer that the appliance was purchased from. Proof of purchase will be required so the original invoice should be retained.

Dynasty Fireplaces

#10-3071 No. 5 Road, Richmond, BC V6X 2T4 Canada

Telephone: (604) 821-1009 Toll free: 1-877-521-1009