

UNDER COUNTER REFRIGERATOR/FREEZER SOLID DOOR



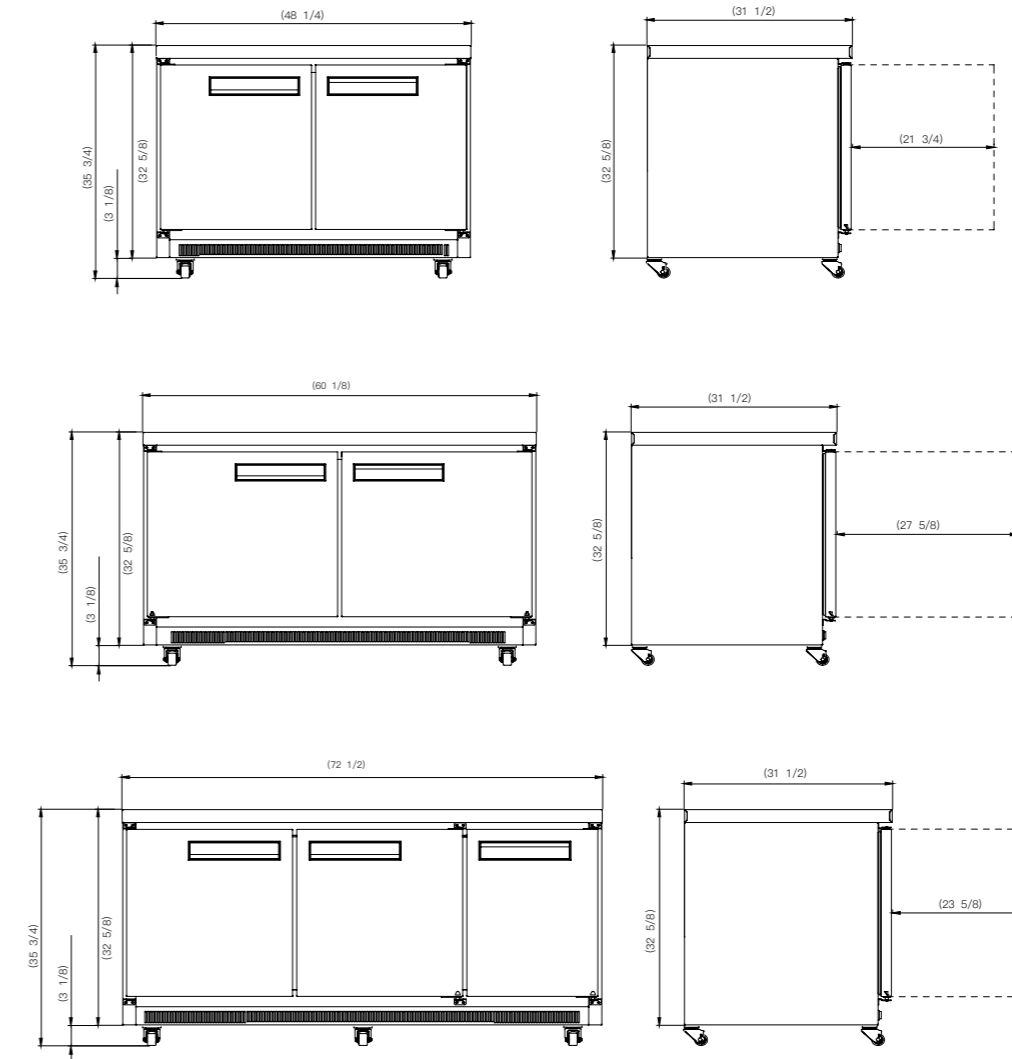
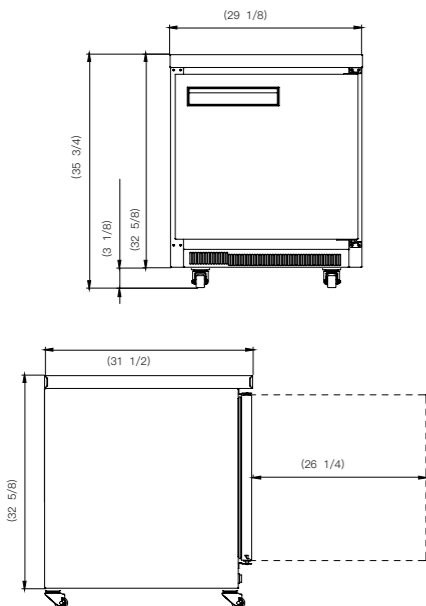
Features & Benefits

- ⊙ Stainless steel inside and outside,sealed interior floors and rounded cabinet corners for easy cleaning
- ⊙ Self closing doors with stay open feature,lifetime guaranteed door hinges
- ⊙ Digital temperature controller with automatic defrost system
- ⊙ Forced air refrigeration system
- ⊙ Adjustable,heavy duty shelves



Technical Specifications

Voltage/Frequency	110V/60Hz
Refrigerant	R290
Type of Defrost	Automatic
Exterior Finish	Stainless steel
Interior Finish	Stainless steel



Overshelf
49 5/8" x 14" x 32"
61 1/2" x 14" x 32"
73 3/4" x 14" x 32"
49 5/8" x 18" x 32"
61 1/2" x 18" x 32"
73 3/4" x 18" x 32"

REFRIGERATOR													
MODEL NO	External Dimension(inches)			Packing carton (inches)			Temperature range(°F)	Compressor power(HP)	Gross weight (kg/LB)	#of shelves	Nema Config.	40HQ Container Certification	
	W	D	H	W	D	H							
DUC29R	29	31 1/2	35 3/4	30 1/2	33 1/8	39 3/8	33-41 °F	1/7	60	132	1	5-15P	84
DUC48R	48 1/8	31 1/2	35 3/4	49 5/8	33 1/8	39 3/8		1/5	120	264	2	5-15P	46
DUC60R	60	31 1/2	35 3/4	61 5/8	33 1/8	39 3/8		1/5	130	286	2	5-15P	28
DUC72R	72 1/4	31 1/2	35 3/4	73 7/8	33 1/8	39 3/8		1/4	160	352	3	5-15P	28

FREEZER													
MODEL NO	External Dimension(inches)			Packing carton (inches)			Temperature range(°F)	Compressor power(HP)	Gross weight (kg/LB)	#of shelves	Nema Config.	40HQ Container Certification	
	W	D	H	W	D	H							
DUC29F	29	31 1/2	35 3/4	30 1/2	33 1/8	39 3/8	0- -8 °F	1/4	60	132	1	5-15P	84
DUC48F	48 1/8	31 1/2	35 3/4	49 5/8	33 1/8	39 3/8		1/2	120	264	2	5-15P	46
DUC60F	60	31 1/2	35 3/4	61 5/8	33 1/8	39 3/8		1/2	130	286	2	5-15P	28
DUC72F	72 1/4	31 1/2	35 3/4	73 7/8	33 1/8	39 3/8		3/4	160	352	3	5-15P	28