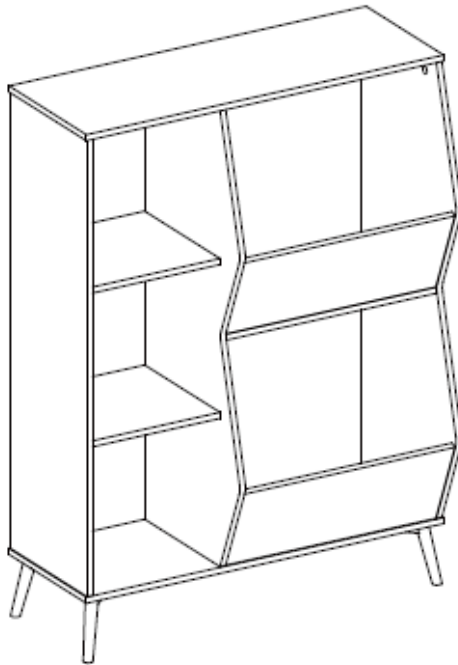




ASSEMBLY INSTRUCTIONS



RiverRidge® Woodbury Storage Cabinet with Cubbies and Veggie Bins

ITEM #: 16-031

ADULT ASSEMBLY REQUIRED

This product requires assembly by an adult because of small parts. Care should be taken in unpacking and assembling this item to keep small parts away from children.

WARNING SEE FULL WARNING ON PAGE 2

Young children can be seriously injured or killed if furniture tips over. Don't use this item for a TV stand or place heavy objects on top of item. Always use angle-braces or anchors to secure furniture to the wall.

THIS SHELF UNIT WILL HOLD UP TO 20 POUNDS PER TOP BOARD AND PER SHELF FOR A TOTAL OF 120 POUNDS. DO NOT LOAD SHELVES WITH MORE THAN 20 POUNDS. OVERLOADING WITH MORE THAN 20 POUNDS PER SHELF OR 120 POUNDS TOTAL MAY CAUSE SHELF TO TIP FROM WALL AND CAUSE DAMAGED TO THE SHELF OR SERIOUS INJURY OR DEATH.

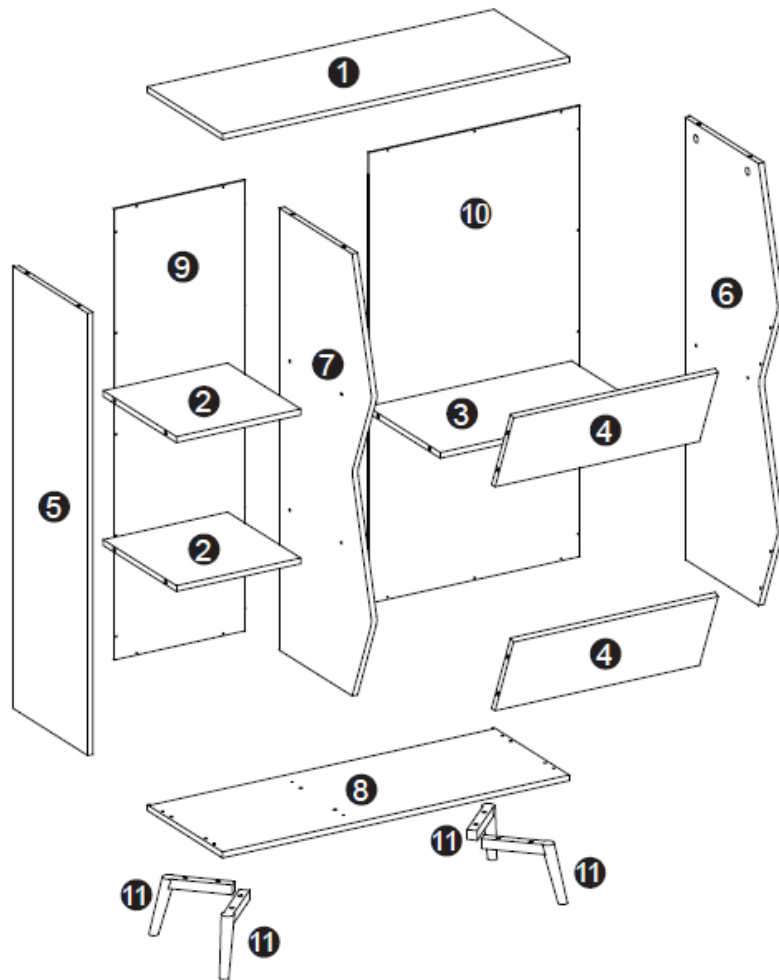


WARNING

SERIOUS OR FATAL INJURIES CAN OCCUR FROM FURNITURE TIP-OVER. TO HELP PREVENT TIP-OVER:

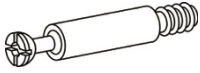










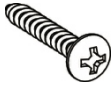
- **Always use tip over restraints and/or wall anchors to secure furniture to the wall**
- **Place heaviest items in the lowest drawers/bins or shelves**
- **Do not set TV's or other heavy objects on the top of this product**
- **Never allow children to climb or hang on to the drawers/bins, doors or shelves of furniture**
- **Never open more than one drawer at a time or defeat or remove any drawer interlock system**

PARTS LIST



NO	QTY	DESCRIPTION
1	1PC	Top Board
2	2PCS	Left Shelf
3	1PC	Right Shelf
4	2PCS	Front Panel
5	1PC	Left Side Panel
6	1PC	Right Side Panel
7	1PC	Middle Support Panel
8	1PC	Bottom Board
9	1PC	Right Back Board
10	1PC	Left Back Board
11	4PCS	Metal Leg

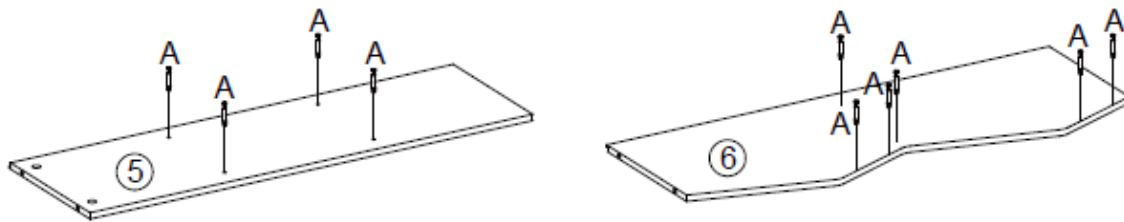
PARTS LIST

NO	PART	QTY	DESCRIPTION
A		26PCS	Cam Bolt
B		26PCS	Cam Lock
C		6PCS	Wood Dowel (6x30mm)
D		6PCS	Screw (4X35mm)
E		8PCS	Machine Screw (6x30mm)
F		8PCS	Shim
G		24PCS	Screw (2.5x10mm)
H		2PCS	Bracket
I		1PC	Screw (2.5x14mm)
J		1PC	Plastic Anchor
K		1PC	Plastic Lock Strap
L		1PC	Screw (4x30mm)

**TOOLS NEEDED FOR ASSEMBLY: FLAT & PHILLIPS SCREWDRIVER (NOT INCLUDED)
THE USE OF POWER SCREWDRIVER IS NOT RECOMMENDED FOR ASSEMBLY
TOOL NEEDED FOR SECURING TO WALL: POWER DRILL (NOT INCLUDED)**

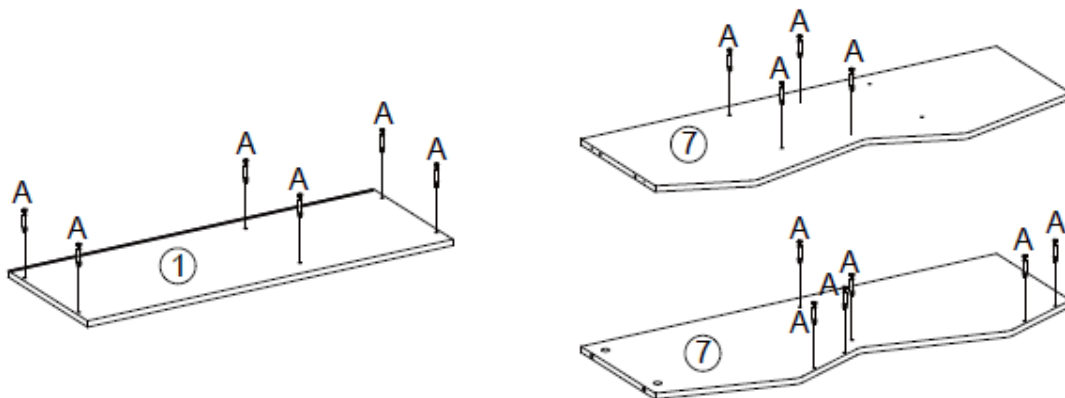
To order replacement parts at no cost to you, email customer.service@ssi-rr.com,
call 1-(844)-223-5201 or order parts online at www.riverridgehome.com

STEP 1



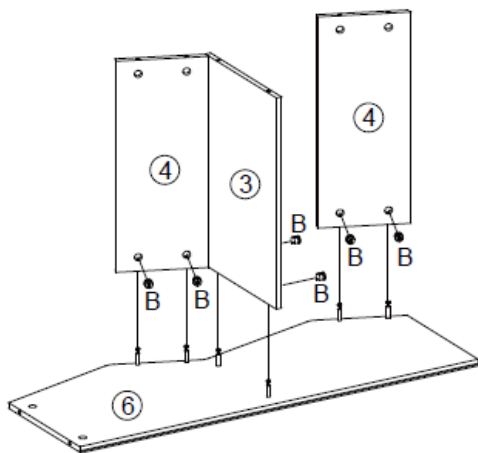
1. Screw 4 cam bolts (A) into pre-threaded holes on left side panel (5).
2. Screw 6 cam bolts (A) into pre-threaded holes on right side panel (6).

STEP 2



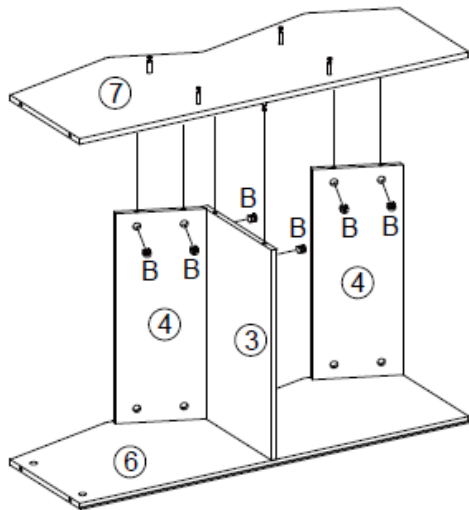
1. Screw 6 cam bolts (A) into pre-threaded holes on top board (1).
2. Screw 4 cam bolts (A) into pre-threaded holes on middle support panel (7), then screw 6 cam bolts (A) into pre-threaded holes on another side of middle support panel (7).

STEP 3



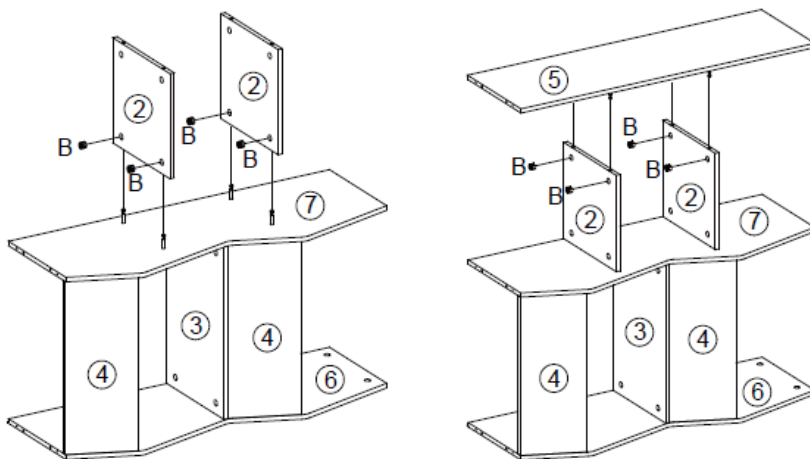
1. Attach right shelf (3) and 2 front panels (4) to right side panel (6) by inserting cam bolts (A) into cam lock holes on right shelf (3) and 2 front panels (4).
2. Insert 6 cam locks (B) into cam lock holes on right shelf (3) and 2 front panels (4), then rotate clockwise to secure cam bolts in place.

STEP 4



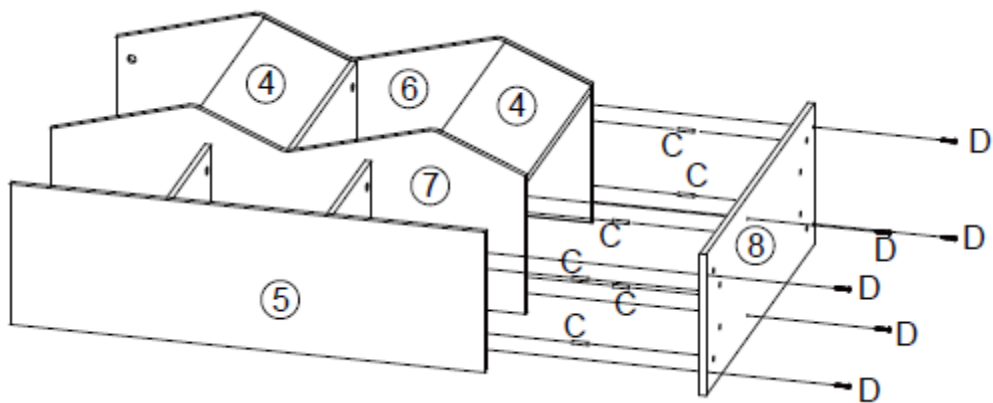
1. Attach middle support panel (7) to right shelf (3) and 2 front panels (4) by inserting cam bolts (A) into cam lock holes on right shelf (3) and 2 front panels (4)
2. Insert 6 cam locks (B) into cam lock holes on right shelf (3) and 2 front panels (4), then rotate clockwise to secure cam bolts in place.

STEP 5



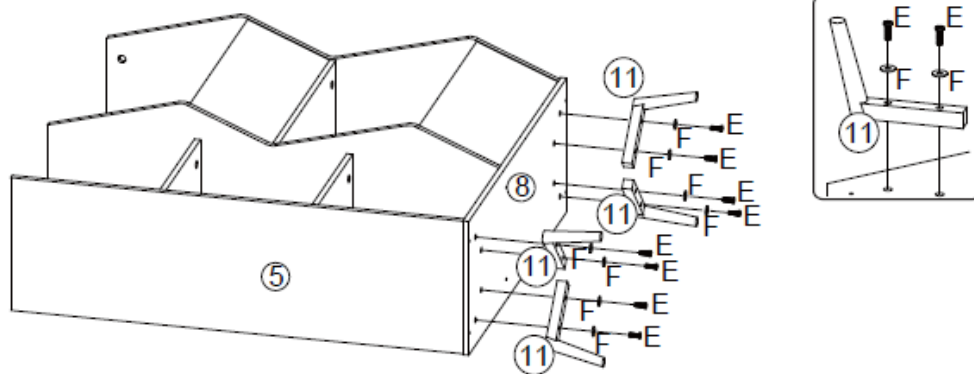
1. Attach 2 left shelves (2) to middle support panel (7) by inserting cam bolts (A) into cam lock holes on 2 left shelves (2).
2. Insert 4 cam locks (B) into cam lock holes on 2 left shelves (2), then rotate clockwise to secure cam bolts in place.
3. Attach left side panel (5) to 2 left shelves (2) by inserting cam bolts (A) into cam lock holes on 2 left shelves (2).
4. Insert 4 cam locks (B) into cam lock holes on 2 left shelves (2), then rotate clockwise to secure cam bolts in place.

STEP 6



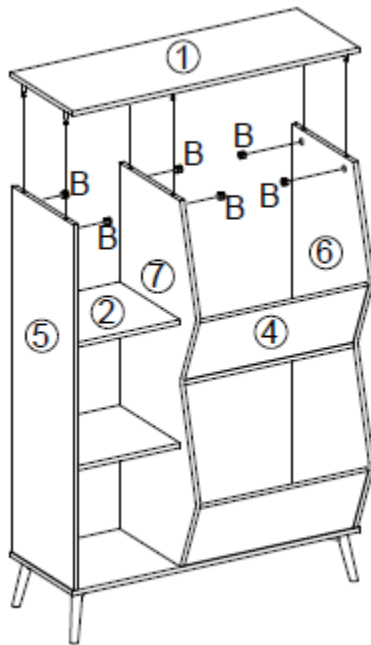
1. Insert 6 wood dowels (C) into wood dowel holes on bottom board (8).
2. Attach bottom board (8) to left side panel (5), right side panel (6) and middle support panel (7) by inserting wood dowels (C) into wood dowel holes on left side panel (5), right side panel (6) and middle support panel (7).
3. Insert 6 screws (D) through holes on bottom board, then tighten to left side panel (5), right side panel (6) and middle support panel (7).

STEP 7



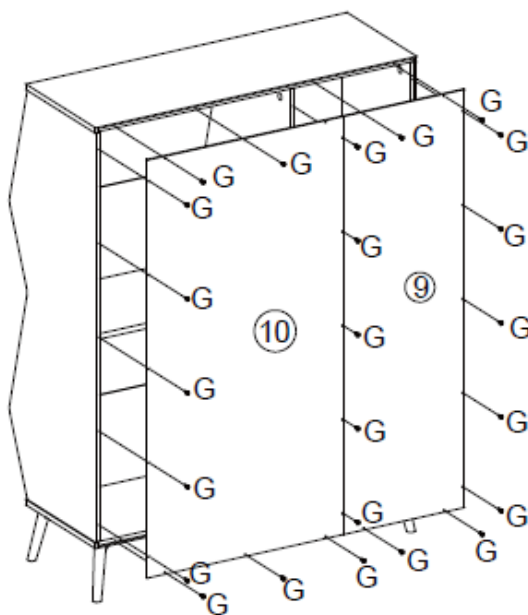
1. Attach 4 metal legs (11) to bottom board (8) by inserting 8 machine screws (E) through the holes on shims (F), then through the holes on metal legs (11) and tighten to bottom board (8).

STEP 8



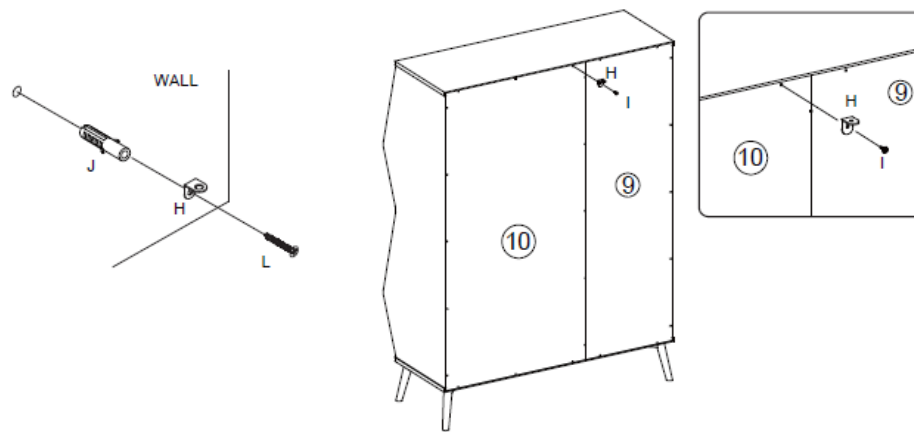
1. Attach top board (1) to left side panel (5), right side panel (6) and middle support panel (7) by inserting cam bolts (A) into cam lock holes on left side panel (5), right side panel (6) and middle support panel (7).
2. Insert 6 cam locks (B) into left side panel (5), right side panel (6) and middle support panel (7), then rotate clockwise to secure cam bolts in place.

STEP 9



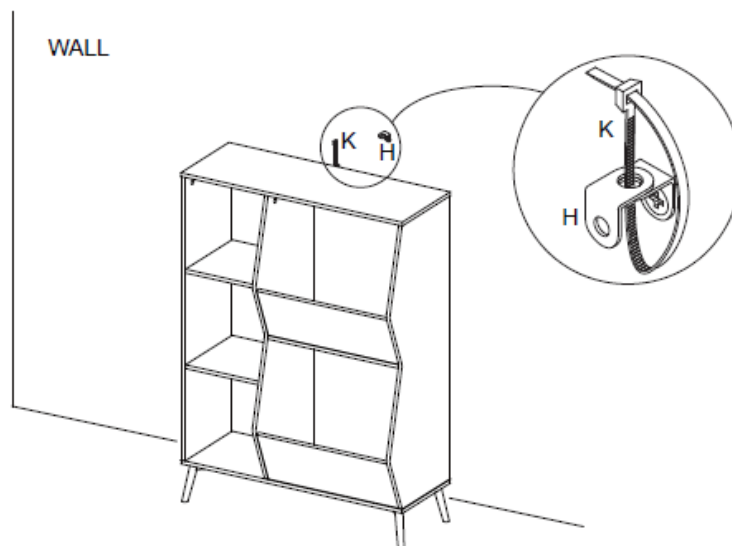
1. Attach left back board (10) and right back board (9) to the back of cabinet by inserting 24 screws (G) through holes on left back board (10) and right back board (9), then tighten to back of cabinet.

STEP 10



1. Place drawing with hole position in desired location on wall and drill hole on wall.
2. Insert I plastic anchor (J) into hole on wall.
3. Attach I bracket (H) to plastic anchor (J) by inserting I screw (L) through hole on bracket (H), then tighten to plastic anchor (J).
4. Attach another bracket (H) to back of cabinet by inserting I screw (I) through hole on bracket (H), then tighten to back of cabinet.

STEP 11

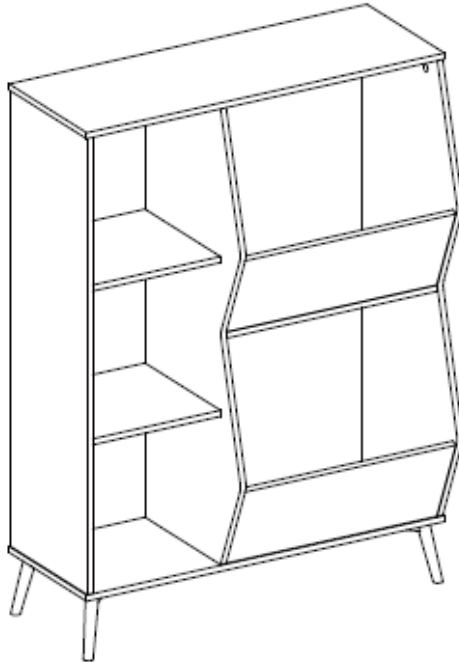


1. Place cabinet against wall and close to bracket (H).
2. Insert plastic lock strap (K) through hole on bracket (H) on cabinet, then through hole on bracket (H) on wall and fasten plastic lock strap (K) to fix 2 brackets (K) firmly together.

ATTENTION ADULTS: Cabinet should be checked periodically for damage or loose screws/parts. Take appropriate action necessary to correct hazards such as tightening of screws and taking any damaged parts away from children.

WARNING  **Please make sure your item is secured to the wall, per assembly instructions.**

Enjoy your new RiverRidge® Cabinet!



Thank you for purchasing this RiverRidge® Home item. We hope you enjoy it and consider purchasing other RiverRidge® items.

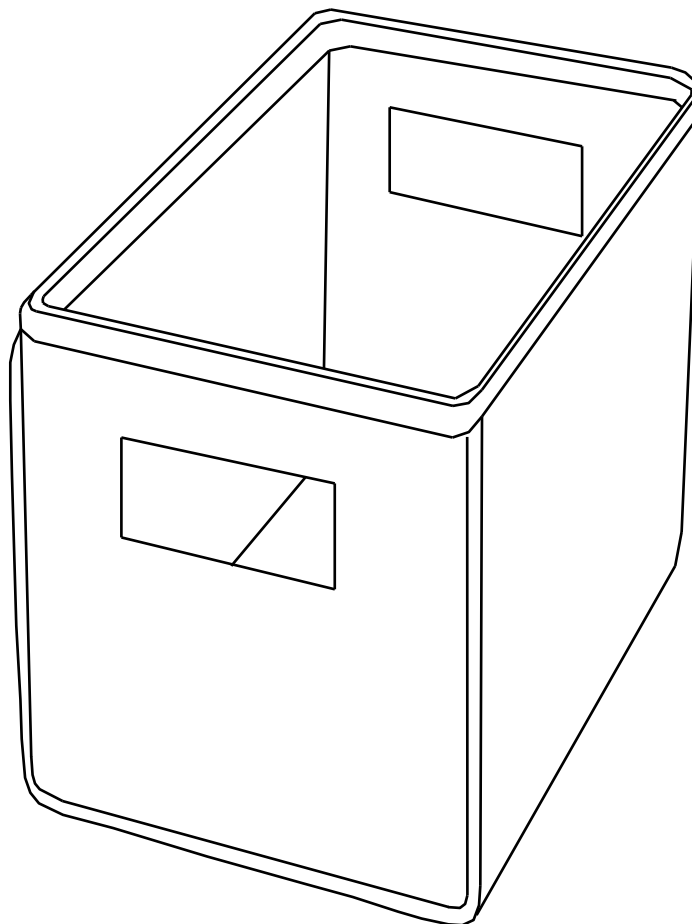
To order replacement parts at no cost to you, email customer.service@ssi-rr.com, call 1-(844)-223-5201 or order parts online at www.riverridgehome.com



RiverRidge® is a registered trademark of Sourcing Solutions, Inc., Hudson, WI 54016

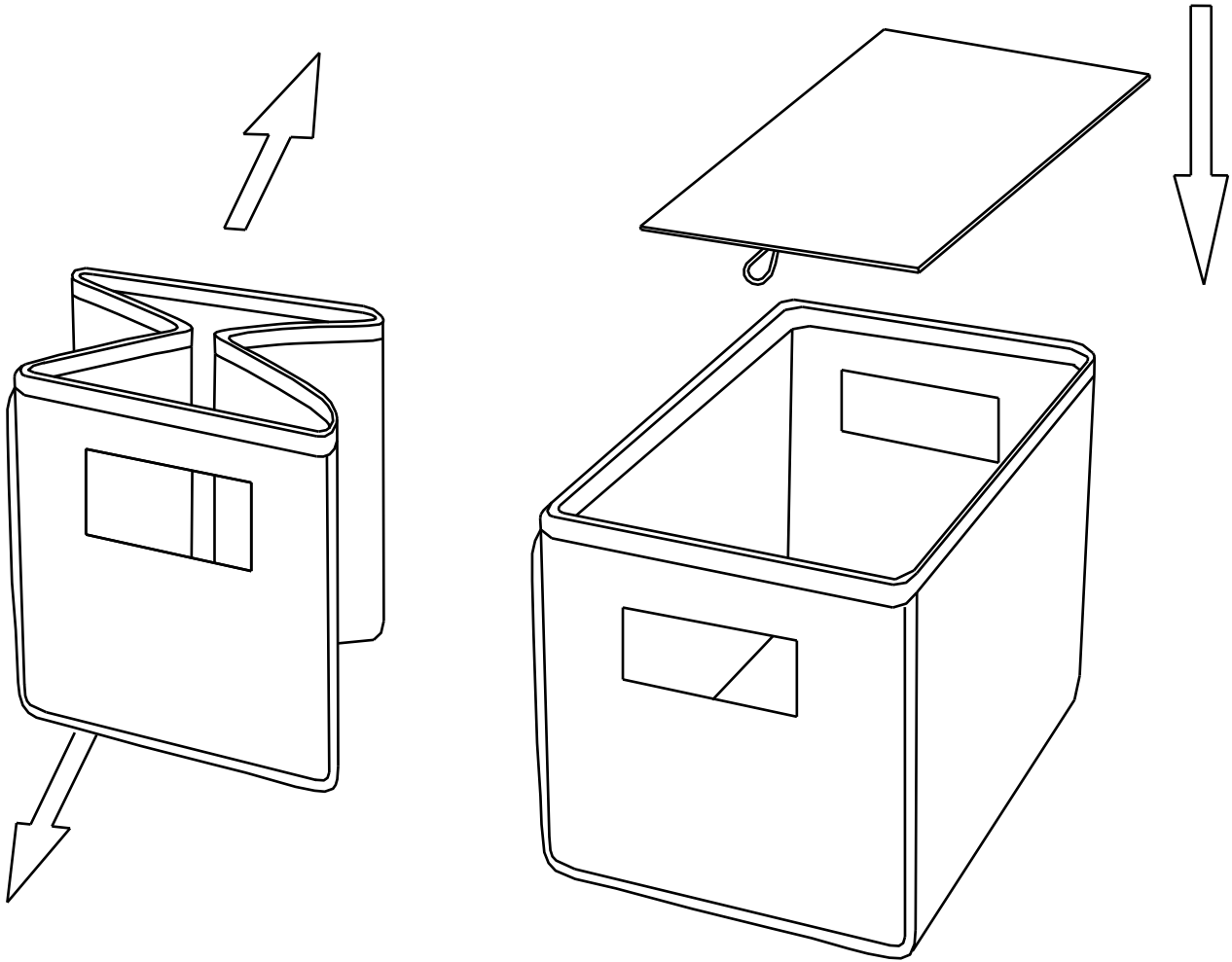


ASSEMBLY INSTRUCTIONS



RiverRidge® Kids Two Piece Folding Storage Bin

ADULT ASSEMBLY REQUIRED



1. Take the bottom board out from the folded soft bin.
2. Open the folded storage bin, then put the bottom board into the soft bin. (making sure the cloth tab is facing up)

Thank you for purchasing this RiverRidge® Home item. We hope you enjoy it and consider purchasing other RiverRidge® items.

To order replacement parts at no cost to you, email customer.service@ssi-rr.com, call 1-(844)-223-5201 or order parts online at www.riverridgehome.com



RiverRidge® is a registered trademark of Sourcing Solutions, Inc., Hudson, WI 54016