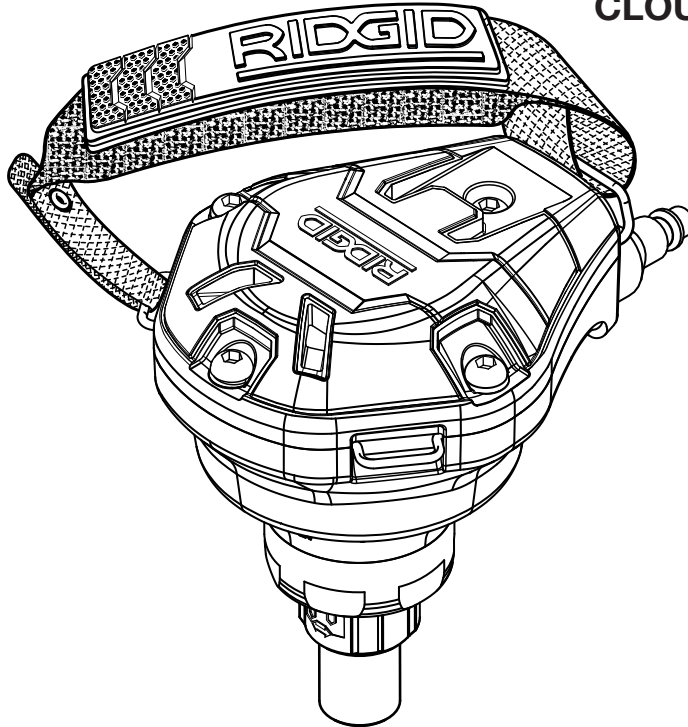




OPERATOR'S MANUAL MANUEL D'UTILISATION MANUAL DEL OPERADOR

PALM NAILER CLOUEUSE DE TYPE PAUME CLAVADORA DE MANO R350PNE



To register your RIDGID product, please visit:
<http://register.RIDGID.com>

Pour enregistrer votre produit de RIDGID, s'il vous plaît la visite:
<http://register.RIDGID.com>

Para registrar su producto de RIDGID, por favor visita:
<http://register.RIDGID.com>

Your palm nailer has been engineered and manufactured to our high standards for dependability, ease of operation, and operator safety. When properly cared for, it will give you years of rugged, trouble-free performance.

⚠ WARNING:

To reduce the risk of injury, the user must read and understand the operator's manual before using this product.

Thank you for your purchase.

SAVE THIS MANUAL FOR FUTURE REFERENCE

Cette cloueuse de type paume a été conçue et fabriquée conformément à nos strictes normes de fiabilité, simplicité d'emploi et sécurité d'utilisation. Correctement entretenue, elle vous donnera des années de fonctionnement robuste et sans problème.

⚠ AVERTISSEMENT :

Pour réduire les risques de blessures, l'utilisateur doit lire et veiller à bien comprendre le manuel d'utilisation avant d'employer ce produit.

Merci d'avoir acheté un produit.

**CONSERVER CE MANUEL POUR
FUTURE RÉFÉRENCE**

Su clavadora de mano ha sido diseñado y fabricado de conformidad con nuestras estrictas normas para brindar fiabilidad, facilidad de uso y seguridad para el operador. Con el debido cuidado, le brindará muchos años de sólido y eficiente funcionamiento.

⚠ ADVERTENCIA:

Para reducir el riesgo de lesiones, el usuario debe leer y comprender el manual del operador antes de usar este producto.

Le agradecemos la compra de un producto.

**GUARDE ESTE MANUAL PARA
FUTURAS CONSULTAS**

TABLE OF CONTENTS

TABLE DES MATIÈRES / ÍNDICE DE CONTENIDO

■ Introduction	2
Introduction / Introducción	
■ General Safety Rules	3
Règles de sécurité générales / Reglas de seguridad generales	3-4
■ Specific Safety Rules.....	4-5
Règles de sécurité particulières / Reglas de seguridad específicas	
■ Symbols.....	6
Symboles / Símbolos	
■ Glossary.....	7
Glossaire / Glosario	
■ Features.....	7
Caractéristiques / Características.....	7 / 8
■ Assembly	8
Assemblage / Armado	
■ Operation.....	8-10
Utilisation / Funcionamiento	8 - 10 / 9 - 11
■ Maintenance	10-11
Entretien / Mantenimiento.....	11 / 10-11
■ Accessories	11
Accessoires / Accesorios.....	12 / 12
■ Troubleshooting	11
Dépannage / Corrección de problemas.....	12 / 12
■ Warranty	12
Garantie / Garantía.....	13 / 13
■ Figure numbers (illustrations)	14
Figure numéros (illustrations) / Figura numeras (ilustraciones)	
■ Parts Ordering and Service	Back Page
Commande de pièces et réparation / Pedidos de piezas y servicio	Page arrière / Pág. posterior

INTRODUCTION

INTRODUCTION / INTRODUCCIÓN

This product has many features for making its use more pleasant and enjoyable. Safety, performance, and dependability have been given top priority in the design of this product making it easy to maintain and operate.

* * *

Ce produit offre de nombreuses fonctions destinées à rendre son utilisation plus plaisante et satisfaisante. Lors de la conception de ce produit, l'accent a été mis sur la sécurité, les performances et la fiabilité, afin d'en faire un outil facile à utiliser et à entretenir.

* * *

Este producto ofrece numerosas características para hacer más agradable y placentero su uso. En el diseño de este producto se ha conferido prioridad a la seguridad, el desempeño y la fiabilidad, por lo cual se facilita su manejo y mantenimiento.

GENERAL SAFETY RULES



DANGER:

READ AND UNDERSTAND TOOL LABELS AND MANUAL. Failure to follow warnings could result in DEATH or SERIOUS INJURY.

SAVE THESE INSTRUCTIONS

WORK AREA

- **Keep your work area clean and well lit.** Cluttered benches and dark areas invite accidents.
- **Do not operate power tools in explosive atmospheres, such as in the presence of flammable liquids, gases, or dust.** Power tools create sparks which may ignite the dust or fumes.
- **Keep bystanders, children, and visitors away while operating a power tool.** Distractions can cause you to lose control.

PERSONAL SAFETY

- **Eye protection which conforms to ANSI specifications and provides protection against flying particles both from the FRONT and SIDE should ALWAYS be worn by the operator and others in the work area when loading, operating or servicing this tool.** Eye protection is required to guard against flying fasteners and debris, which could cause severe eye injury.
- **The employer and/or user must ensure that proper eye protection is worn.** We recommend Wide Vision Safety Mask for use over eyeglasses or standard safety glasses that provide protection against flying particles both from the front and side. Always use eye protection with side shields marked to comply with ANSI Z87.1.
- **Additional safety protection will be required in some environments.** For example, the working area may include exposure to noise level which can lead to hearing damage. The employer and user must ensure that any necessary hearing protection is provided and used by the operator and others in the work area. Some environments will require the use of head protection equipment. When required, the employer and user must ensure that head protection conforming to ANSI Z89.1-1997 is used.
- **Stay alert, watch what you are doing and use common sense when operating a power tool. Do not use tool while tired or under the influence of drugs, alcohol, or medication.** A moment of inattention while operating power tools may result in serious personal injury.
- **Dress properly. Do not wear loose clothing or jewelry. Contain long hair. Keep your hair, clothing, and gloves away from moving parts.** Loose clothes, jewelry, or long hair can be caught in moving parts.

- **Keep fingers away from trigger when not driving fasteners to avoid accidental firing.**
- **Do not overreach. Keep proper footing and balance at all times.** Proper footing and balance enables better control of the tool in unexpected situations.
- **Use safety equipment. Always wear eye protection.** Dust mask, nonskid safety shoes, hard hat, or hearing protection must be used for appropriate conditions.
- **Do not use on a ladder or unstable support.** Stable footing on a solid surface enables better control of the tool in unexpected situations.

TOOL USE AND CARE

- **Do not force tool. Use the correct tool for your application.** The correct tool will do the job better and safer at the rate for which it is designed.
- **Do not use tool if trigger does not actuate properly.** Any tool that cannot be controlled with the trigger is dangerous and must be repaired.
- **Check operation of the workpiece contact mechanism frequently.** Do not use the tool if the workpiece contact mechanism is not working correctly as accidental driving of a fastener may result. Do not interfere with the proper operation of the workpiece contact mechanism.
- **Store idle tools out of the reach of children and other untrained persons.** Tools are dangerous in the hands of untrained users.
- **Maintain tools with care.** Follow maintenance instructions. Properly maintained tools are easier to control.
- **Check for misalignment or binding of moving parts, breakage of parts, and any other condition that may affect the tool's operation. If damaged, have the tool serviced before using.** Many accidents are caused by poorly maintained tools.
- **Use only fasteners that are recommended for your model.**
- **Keep the tool and its handle dry, clean and free from oil and grease.** Always use a clean cloth when cleaning. Never use brake fluids, gasoline, petroleum-based products, or any strong solvents to clean your tool. Following this rule will reduce the risk of loss of control and deterioration of the enclosure plastic.

SERVICE

- **Tool service must be performed only by qualified repair personnel.** Service or maintenance performed by unqualified personnel may result in a risk of injury.
- **When servicing a tool, use only identical replacement parts. Follow instructions in the Maintenance section of this manual.** Use of unauthorized parts or failure to follow Maintenance instructions may create a risk of injury.

SPECIFIC SAFETY RULES

- **Know your pneumatic tool.** Read operator's manual carefully. Learn its applications and limitations, as well as the specific potential hazards related to this tool. Following this rule will reduce the risk of electric shock, fire, or serious injury.
- **Always wear eye protection with side shields marked to comply with ANSI Z87.1.** Failure to do so could result in objects being thrown into your eyes resulting in possible serious injury.
- **Protect your lungs.** Wear a face or dust mask if the operation is dusty. Following this rule will reduce the risk of serious personal injury.
- **Protect your hearing.** Wear hearing protection during extended periods of operation. Following this rule will reduce the risk of serious personal injury.
- **Make sure the hose is free of obstructions or snags.** Entangled or snarled hoses can cause loss of balance or footing and may become damaged.
- **Use the tool only for its intended use.** Do not discharge fasteners into open air.
- **Use the pneumatic tool only for the purpose for which it was designed.**
- **Do not use hardened nails in this tool.**
- **Use only the fasteners recommended for this tool.** Use of the wrong fasteners could result in poor fastener feeding, jammed fasteners, and nails leaving the tool at erratic angles. If fasteners are not feeding smoothly and properly, discontinue their use immediately. Jammed and improperly feeding fasteners could result in serious personal injury.
- **Never use this tool in a manner that could cause a fastener to be directed toward anything other than the workpiece.**
- **Do not use the tool as a hammer.**
- **Always carry the tool by the handle.** Never carry the tool by the air hose.
- **Do not alter or modify this tool from the original design or function without approval from the manufacturer.**
- **Always be aware that misuse and improper handling of this tool can cause injury to yourself and others.**
- **Never leave a tool unattended with the air hose attached.**
- **Do not operate this tool if it does not contain a legible warning label.**
- **Do not continue to use a tool that leaks air or does not function properly.**
- Never engage in horseplay.
- Never pull the trigger unless nose is directed toward the work.
- Keep others a safe distance from the tool while tool is in operation as accidental actuation may occur, possibly causing injury.
- **This tool is designed for single-hand use.** Do not put hands, head, or other parts of your body near the nosepiece where the nail exits the tool, as serious personal injury could result.
- **Do not point the tool toward yourself or anyone whether it contains fasteners or not.**
- **Do not actuate the tool unless you intend to drive a fastener into the workpiece.**
- **Always ensure that the workpiece contact is fully positioned above the workpiece.** Positioning the workpiece contact only partially above the workpiece could cause the fastener to miss the workpiece completely and result in serious personal injury.
- **Do not drive fasteners near edge of material.** The workpiece may split causing the fastener to ricochet, injuring you or a co-worker. Be aware that the nail may follow the grain of the wood, causing it to protrude unexpectedly from the side of the work material.
- **Keep hands and body parts clear of immediate work area.** Hold workpiece with clamps when necessary to keep hands and body out of potential harm. Be sure the workpiece is properly secured before pressing the nailer against the material. The workpiece contact may cause the work material to shift unexpectedly.
- **Keep face and body parts away from back of the tool cap when working in restricted areas.** Sudden recoil can result in impact to the body, especially when nailing into hard or dense material.
- **During normal use the tool will recoil immediately after driving a fastener. This is a normal function of the tool.** Do not attempt to prevent the recoil by holding the nailer against the work. Restriction to the recoil can result in a second fastener being driven from the nailer. Grip the handle firmly, let the tool do the work and do not place second hand on top of tool or near exhaust at any time. Failure to heed this warning can result in serious personal injury.
- **Do not drive fasteners on top of other fasteners or with the tool at an overly steep angle as this may cause deflection of fasteners which could cause injury.**
- **Do not drive fasteners close to the edge of the workpiece as the wood may split, allowing the fastener to be deflected possibly causing injury.**

OPERATION

- **Always assume that the tool contains fasteners.**
- **Always handle the tool with care:**
 - Respect the tool as a working implement.

SPECIFIC SAFETY RULES

AIR SUPPLY AND CONNECTIONS

- Do not use oxygen, combustible gases or bottled gases as a power source for this tool as tool will explode, possibly causing injury or death.
- Do not use with an air compressor which can potentially exceed 200 psi as tool may burst, possibly causing injury.
- The connector on the tool must not hold pressure when air supply is disconnected. If an incorrect fitting is used, the tool can remain charged with air after disconnecting and thus will be able to drive a fastener even after the air line is disconnected, possibly causing injury.
- **Always disconnect air supply:**
 - Before making adjustments
 - When servicing the tool
 - When clearing a jam
 - When tool is not in use
 - When moving to a different work area, as accidental actuation may occur, possibly causing injury.

LOADING TOOL

- Do not load the tool with fasteners when any one of the operating controls is activated.

When loading tool:




- Never place a hand or any part of body in fastener discharge area of tool.
- Never point tool at anyone.
- Do not depress the workpiece contact as, accidental actuation may occur, possibly causing injury.

SAVE THESE INSTRUCTIONS







- Refer to them frequently and use them to instruct others who may use this tool. If you loan someone this tool, loan them these instructions also.

SYMBOLS

The following signal words and meanings are intended to explain the levels of risk associated with this product.

SYMBOL	SIGNAL	MEANING
	DANGER:	Indicates an imminently hazardous situation, which, if not avoided, will result in death or serious injury.
	WARNING:	Indicates a potentially hazardous situation, which, if not avoided, could result in death or serious injury.
	CAUTION:	Indicates a potentially hazardous situation, which, if not avoided, may result in minor or moderate injury.
	CAUTION:	(Without Safety Alert Symbol) Indicates a situation that may result in property damage.

Some of the following symbols may be used on this tool. Please study them and learn their meaning. Proper interpretation of these symbols will allow you to operate the tool better and safer.

SYMBOL	NAME	DESIGNATION/EXPLANATION
	Safety Alert	Indicates a potential personal injury hazard
	Read The Operator's Manual	To reduce the risk of injury, user must read and understand operator's manual before using this product.
	Eye Protection	Always wear eye protection with side shields marked to comply with ANSI Z87.1.
	Eye, Ear and Head Protection	Always wear eye protection with side shields marked to comply with ANSI Z87.1, along with hearing and head protection when needed.
	Keep Hands Away	Keep hands and body away from the discharge area of the tool.
	Hot Surface	To reduce the risk of injury or damage, avoid contact with any hot surface.

CALIFORNIA PROPOSITION 65

WARNING:

This product and some dust created by power sanding, sawing, grinding, drilling, and other construction activities may contain chemicals, including lead, known to the State of California to cause cancer, birth defects, or other reproductive harm. **Wash hands after handling.**

Some examples of these chemicals are:

- lead from lead-based paints,
- crystalline silica from bricks and cement and other masonry products and,
- arsenic and chromium from chemically treated lumber.

Your risk from exposure to these chemicals varies, depending on how often you do this type of work. To reduce your exposure, work in a well-ventilated area and with approved safety equipment, such as dust masks that are specially designed to filter out microscopic particles.

GLOSSARY OF TERMS

Activate (operating controls)

To move an operating control so that it is in a position that allows the tool to be actuated or that satisfies one requirement for the tool to be actuated.

Actuate (tool)

To cause movement of the tool component(s) intended to drive a fastener.

Actuation system

The use of a trigger, workpiece contact and/or other operating control, separately or in some combination or sequence, to actuate the tool.

Air inlet port

In an air tool, the opening to which the compressed air supply is connected, usually by means of a threaded fitting.

Fastener

A staple, pin, brad, nail, or other fastening device which is designed and manufactured for use in the tools within the scope of this standard.

Jam

An obstruction in the feed or drive areas of the tool.

Maximum air pressure

The maximum allowable pressure of the compressed air, as specified by the manufacturer, for operating a tool.

Operating control

A control that separately, or as part of an actuation system, can cause the actuation of a tool.

Trigger

A tool operating control activated by a tool operator's fingers.

Workpiece

The intended object into which a fastener is to be driven by a tool.

Workpiece contact

An operating control element or assembly on the tool intended to be activated by the material to be fastened.

FEATURES

PRODUCT SPECIFICATIONS

Operating Pressure..... 50-120 psi
Air Inlet 1/4 in. NPT
Fastener Range Common Bulk Nails 4d - 16d

Air Consumption.....0.105 ft³/cycle at 100 psi
Fastener Length 1 1/2 in.-3 1/2 in.
Weight2.8 lbs.

KNOW YOUR PALM NAILER

See Figure 1, page 14.

The safe use of this product requires an understanding of the information on the tool and in this operator's manual as well as a knowledge of the project you are attempting. Before use of this product, familiarize yourself with all operating features and safety rules.

HAND STRAP

The hand strap is attachable from the left or the right with the convenient latches on the top of the palm nailer and is adjustable for hand size.

DRIVE DEPTH ADJUSTMENT

The tool-free drive depth adjustment lets the operator select precise driving depth of the fastener.

MAGNETIC NAIL GUIDE

The magnetic nail guide holds nails securely in place while driving nails into the workpiece.

QUICK-CONNECT SWIVEL CONNECTOR

The quick-connect swivel connector helps prevent hose tangles.

SELF-CLEANING AIR FILTER

The self-cleaning air filter keeps debris out of the tool and extends the life of the tool.

ASSEMBLY

UNPACKING

This product has been shipped completely assembled.

- Carefully remove the tool and any accessories from the box. Make sure that all items listed in the packing list are included.

WARNING:

Do not use this product if it is not completely assembled or if any parts appear to be missing or damaged. Use of a product that is not properly and completely assembled could result in serious personal injury.

-
- Inspect the tool carefully to make sure no breakage or damage occurred during shipping.
 - Do not discard the packing material until you have carefully inspected and satisfactorily operated the tool.
 - If any parts are damaged or missing, please call 1-866-539-1710 for assistance.

PACKING LIST

Palm Nailer
Oil
Hex Key
Case
Operator's Manual

WARNING:

If any parts are damaged or missing do not operate this tool until the parts are replaced. Failure to do so could result in possible serious personal injury.

WARNING:

Do not attempt to modify this tool or create accessories not recommended for use with this tool. Any such alteration or modification is misuse and could result in a hazardous condition leading to possible serious personal injury.

OPERATION

DANGER:

Do not use oxygen, combustible gases or bottled gases as a power source for this tool. The tool will explode and cause death or serious injury.

WARNING:

Do not allow familiarity with tools to make you careless. Remember that a careless fraction of a second is sufficient to inflict severe injury.

WARNING:

Always wear eye protection with side shields marked to comply with ANSI Z87.1. Failure to do so could result in objects being thrown into your eyes resulting in possible serious injury.

WARNING:

Disconnect the tool from the air supply before leaving the work area, moving the tool to another location, or handing the tool to another person. Failure to do so could result in serious personal injury.

APPLICATIONS

You may use this tool for the purposes listed below:

- Framing
- Sheathing
- Roof Sheathing
- Floor Decking
- Exterior Decks
- Engineered Lumber
- Blocking Sub-Assemblies
- Bridging
- Fencing
- Crate and Box Assembly
- Trusses
- Siding
- Pallets and Pallet Repair
- Subflooring

WARNING:

Always wear eye protection. Eye protection does not fit all operators in the same way. Make sure the eye protection chosen has side shields or provides protection from flying debris both from the front and sides.

OPERATION

PREPARING THE TOOL FOR USE

See Figure 2, page 14.

Under normal use conditions, the tool should be lubricated before connecting the tool to an air supply. Add air tool lubricant into the air fitting on the tool once daily with minimal use, or twice a day with heavy use. Only a few drops of oil at a time is necessary. Too much oil will only collect inside the tool and will be noticeable in the exhaust cycle.

Before connecting the tool, check the air compressor gauge to be sure it is functioning within the proper range of 50-120 psi.

WARNING:

Disconnect the tool from the air supply before leaving the work area, moving the tool to another location, or handing the tool to another person. Failure to do so could result in serious personal injury.

CONNECTING THE TOOL TO AN AIR SUPPLY

See Figure 3, page 14.

DANGER:

Do not use oxygen, combustible gases or bottled gases as a power source for this tool. The tool will explode and cause death or serious injury.

This tool is designed to operate on clean, dry compressed air at regulated pressures between 50 and 120 psi. The correct air pressure is the lowest pressure that will do the job.

NOTE: Air pressure that is higher than 120 psi may damage the tool.

The tool and air hose must have a hose coupling that allows all pressure to be removed from the tool when the coupling is disconnected.

WARNING:

Always use a coupling that discharges all the compressed air in the tool at the time the fitting or hose coupling is disconnected. Using a coupling that does not discharge the compressed air could cause unintended operation and serious personal injury.

WARNING:

Do not climb rigging or scaffolding while carrying a tool that is connected to an air hose. Doing so could result in serious personal injury.

Connect the tool to the air supply with a 1/4 in. female quick connector. A 3/8 in. female quick connector may be used in situations where a 1/4 in. supply line is not available. For maximum tool performance, a 3/8 in. supply line and fittings are required.

LOADING THE TOOL WITH NAILS

See Figure 4, page 14.

WARNING:

The tool's driving mechanism may cycle when the tool is first connected to the air supply. Always connect the tool to the air supply before loading nails to prevent injury from unintended cycling. Always make sure the nosepiece is empty at the beginning of each work session, before connecting to an air supply.

- Connect the tool to the air supply.
 - With the nose of the tool pointed away from you, feed a nail into the nosepiece. Be sure the nails are pointed downward and at the angle shown.
 - Do not hold the tip or head of the nail when feeding into the nosepiece.
-

WARNING:

Keep the tool pointed away from yourself and others when loading nails. Failure to do so could result in possible serious personal injury.

WARNING:

Never load nails with the nosepiece depressed. Doing so could result in possible serious personal injury.

SETTING THE AIR PRESSURE

The amount of air pressure required will depend on the size of the nail and the workpiece material.

Begin testing the depth of drive by driving a test nail into the same type of workpiece material used for the actual job.

Drive a test nail with the air pressure set at 50-55 psi. Raise or lower the air pressure to find the lowest setting that will perform the job with consistent results.

It may be possible to achieve the desired depth with air pressure adjustments alone. If finer adjustments are needed, use the drive depth adjustment on the tool.

OPERATION

DRIVE DEPTH ADJUSTMENT

See Figure 5, page 14.

The driving depth of the nail may be adjusted. It is advisable to test the depth on a scrap workpiece to determine the required depth for the application.

To determine drive depth, first adjust the air pressure and drive a test nail. To achieve the desired depth, use the drive depth adjustment on the tool.

- Disconnect the tool from the air supply.
- Turn the depth selector left or right to change the driving depth.
- Reconnect the tool to the air supply.
- Drive a test nail after each adjustment until the desired depth is set.

ADJUSTING THE HAND STRAP

See Figures 6 - 7, page 14.

- Disconnect the tool from the air supply.
- Determine which hand the palm nailer will be used with and attach the hand strap to the latch.

- Pull the hand strap hook-and-loop top apart from the bottom.
- Insert hand and tighten to fit.
- Reattach hand strap hook-and-loop top to bottom.

DRIVING NAILS

- Place tip of the nail against the workpiece.
- Push the tool firmly with your palm. Keep the nail in line with the nosepiece as the nail is driven.
- Remove the tool from the nail when complete.

WARNING:

Never hold the nail with your hand or fingers while driving the nail. Doing so could result in possible serious personal injury.

MAINTENANCE

WARNING:

When servicing use only identical RIDGID replacement parts. Use of any other parts may create a hazard or cause product damage.

WARNING:

Always wear eye protection with side shields marked to comply with ANSI Z87.1. Failure to do so could result in objects being thrown into your eyes resulting in possible serious injury.

WARNING:

Disconnect the tool from the air supply before performing maintenance. Failure to do so could result in serious personal injury.

GENERAL MAINTENANCE

Avoid using solvents when cleaning plastic parts. Most plastics are susceptible to damage from various types of commercial solvents and may be damaged by their use. Use clean cloths to remove dirt, dust, oil, grease, etc.

WARNING:

Do not at any time let brake fluids, gasoline, petroleum-based products, penetrating oils, etc., come in contact with plastic parts. Chemicals can damage, weaken or destroy plastic which may result in serious personal injury.

LUBRICATION

Frequent, but not excessive, lubrication is required for best performance. Oil for pneumatic fastening tools added through the air line connection will lubricate the internal parts. Do not use detergent oil or additives as these lubricants will cause accelerated wear to the seals and bumpers in the tool, resulting in poor tool performance and frequent tool maintenance.

MAINTENANCE

COLD WEATHER OPERATION

For cold weather operation, near and below freezing, the moisture in the air line may freeze and prevent tool operation. We recommend the use of air tool lubricant or permanent antifreeze (ethylene glycol) as a cold weather lubricant.

CAUTION:

Do not store tools in a cold weather environment to prevent frost or ice formation on the tools' operating valves and mechanisms that could cause tool failure.

NOTE: Some commercial air line drying liquids are harmful to "O" rings and seals. Do not use these low temperature air dryers without checking compatibility.

AIR SUPPLY PRESSURE AND VOLUME

Air volume is as important as air pressure. The air volume supplied to the tool may be inadequate because of undersize fittings and hoses, or from the effects of dirt and water in the system. Restricted air flow will prevent the tool from receiving an adequate volume of air, even though the pressure reading is high. The results will be a slow operation or reduced driving power. Before evaluating tool problems for these symptoms, trace the air supply from the tool to the supply source for restrictive connectors, low points containing water and anything else that would prevent full volume flow of air to the tool.

ACCESSORIES

To order parts and maintenance kits, call 1-866-539-1710.

Driver Maintenance Kit	079005005702
Overhaul Kit	079005005701

WARNING:

Current attachments and accessories available for use with this tool are listed above. Do not use any attachments or accessories not recommended by the manufacturer of this tool. The use of attachments or accessories not recommended can result in serious personal injury.

TROUBLESHOOTING

PROBLEM	POSSIBLE CAUSE	SOLUTION
Tool does nothing or operates sluggishly	Inadequate air supply	Verify adequate air supply
	Inadequate lubrication	Lubricate tool
	Worn or damaged O-rings or bumper	Install Overhaul Kit and replace O-rings
Tool jams frequently	Incorrect fasteners	Verify that fasteners are the correct size
	Damaged fasteners	Replace fasteners

NOTE: FIGURES (ILLUSTRATIONS) START ON PAGE 14 AFTER FRENCH AND SPANISH LANGUAGE SECTIONS.

WARRANTY

RIDGID® PNEUMATIC TOOL 3 YEAR LIMITED SERVICE WARRANTY

Proof of purchase must be presented when requesting warranty service.

This product is manufactured by One World Technologies, Inc. The trademark is licensed from RIDGID, Inc. All warranty communications should be directed to One World Technologies, Inc., attn: RIDGID Pneumatic Tool Technical Service at (toll free) 1-866-539-1710.

90-DAY SATISFACTION GUARANTEE POLICY

During the first 90 days after the date of purchase, if you are dissatisfied with the performance of this RIDGID® Pneumatic Tool for any reason you may return the tool to the dealer from which it was purchased for a full refund or exchange. To receive a replacement tool you must present proof of purchase and return all original equipment packaged with the original product. The replacement tool will be covered by the limited warranty for the balance of the 3-YEAR service warranty period.

WHAT IS COVERED UNDER THE 3 YEAR LIMITED SERVICE WARRANTY

This warranty on RIDGID® Pneumatic Tools covers all defects in workmanship or materials and normal wear items for three years following the purchase date of the tool. Warranties for other RIDGID® products may vary.

HOW TO OBTAIN SERVICE

To obtain service for this RIDGID® tool you must return it; freight prepaid, or take it in to an authorized service center for RIDGID® branded pneumatic tools. You may obtain the location of the authorized service center nearest you by calling (toll free) 1-866-539-1710 or by logging on to the RIDGID® website at www.ridgid.com. When requesting warranty service, you must present the original dated sales receipt. The authorized service center will repair any faulty workmanship, and either repair or replace any part covered under the warranty, at our option, at no charge to you.

WHAT IS NOT COVERED

This warranty applies only to the original purchaser at retail and may not be transferred. This warranty only covers defects arising under normal usage and does not cover any malfunction, failure or defect resulting from misuse, abuse, neglect, alteration, modification or repair by other than an authorized service center for RIDGID® branded pneumatic tools. Consumable accessories provided with the tool such as, but not limited to, fasteners, oil, and safety glasses are not covered.

RIDGID, INC. AND ONE WORLD TECHNOLOGIES, INC. MAKE NO WARRANTIES, REPRESENTATIONS OR PROMISES AS TO THE QUALITY OR PERFORMANCE OF ITS PNEUMATIC TOOLS OTHER THAN THOSE SPECIFICALLY STATED IN THIS WARRANTY.

ADDITIONAL LIMITATIONS

To the extent permitted by applicable law, all implied warranties, including warranties of MERCHANTABILITY or FITNESS FOR A PARTICULAR PURPOSE, are disclaimed. Any implied warranties, including warranties of merchantability or fitness for a particular purpose, that cannot be disclaimed under state law are limited to three years from the date of purchase. One World Technologies, Inc. and RIDGID, Inc. are not responsible for direct, indirect, incidental or consequential damages. Some states do not allow limitations on how long an implied warranty lasts and/or do not allow the exclusion or limitation of incidental or consequential damages, so the above limitations may not apply to you. This warranty gives you specific legal rights, and you may also have other rights which vary from state to state.

One World Technologies, Inc.

P.O. Box 35, Hwy. 8

Pickens, SC 29671

RÈGLES DE SÉCURITÉ GÉNÉRALES



DANGER :

LIRE ET VEILLER À BIEN COMPRENDRE LES AUTOCOLLANTS APPOSÉS SUR L'OUTIL ET LE MANUEL. Le non respect de cet avertissement pourrait entraîner des BLESSURES GRAVES ou MORTELLES.

CONSERVER CES INSTRUCTIONS

LIEU DE TRAVAIL

- **Garder le lieu de travail propre et bien éclairé.** Les établis encombrés et les endroits sombres sont propices aux accidents.
- **Ne pas utiliser d'outils électriques dans des atmosphères explosives, par exemple en présence de liquides, gaz ou poussières inflammables.** Les outils électriques produisent des étincelles risquant d'enflammer les poussières ou vapeurs.
- **Garder les badauds, enfants et visiteurs à l'écart pendant l'utilisation d'un outil électrique.** Les distractions peuvent causer une perte de contrôle.

SÉCURITÉ PERSONNELLE

- **Lors du chargement, de l'utilisation ou de l'entretien de cet outil, l'opérateur et les personnes se trouvant sur le lieu de travail doivent TOUJOURS porter un dispositif oculaire à protection FRONTALE et LATÉRALE, conforme aux normes ANSI.** Une telle protection est requise, car les clous et débris projetés peuvent causer des lésions oculaires graves.
- **Il incombe à l'employeur et / ou l'utilisateur de veiller à ce qu'une protection oculaire adéquate soit utilisée.** Nous recommandons d'utiliser un masque facial à champ de vision élargi ou des lunettes de sécurité munies d'écrans latéraux protégeant des débris projetés, plutôt que des lunettes de vue. Toujours porter une protection oculaire avec écrans latéraux certifiée conforme à la norme ANSI Z87.1.
- **Des équipements de protection supplémentaires sont requis dans certains environnements.** Par exemple, le lieu de travail peut présenter un niveau de bruit susceptible d'entraîner des lésions auditives. Il incombe à l'opérateur et à l'utilisateur qu'une protection auditive soit fournie et utilisée par l'opérateur et les autres personnes se trouvant sur le lieu de travail. Certains environnements requièrent le port d'un casque. Il incombe à l'employeur et / ou l'utilisateur de veiller à ce qu'un casque conforme à la norme ANSI Z89.1-1997 soit utilisé.
- **Rester attentif, prêter attention au travail et faire preuve de bon sens lors de l'utilisation de tout outil électrique. Ne pas utiliser cet outil en état de fatigue ou sous l'influence d'alcool, de drogues ou de médicaments.** Un moment d'inattention pendant l'utilisation d'un outil électrique peut entraîner des blessures graves.

- **Porter une tenue appropriée. Ne porter ni vêtements amples, ni bijoux. Attacher ou couvrir les cheveux longs. Garder les cheveux, les vêtements et les gants à l'écart des pièces en mouvement.** Les vêtements amples, bijoux et cheveux longs peuvent se prendre dans les pièces en mouvement.
- **Excepté pour planter des clous, garder les doigts à l'écart de la gâchette, pour éviter un déclenchement accidentel.**
- **Ne pas travailler hors de portée. Toujours se tenir bien campé et en équilibre.** Une bonne tenue et un bon équilibre permettent de mieux contrôler l'outil en cas de situation imprévue.
- **Utiliser l'équipement de sécurité. Toujours porter une protection oculaire.** Suivant les conditions, le port d'un masque antipoussière, de chaussures de sécurité, d'un casque ou d'une protection auditive est recommandé.
- **Ne pas utiliser l'outil sur une échelle ou un support instable.** Une bonne tenue et un bon équilibre permettent de mieux contrôler l'outil en cas de situation imprévue.

UTILISATION ET ENTRETIEN DE L'OUTIL

- **Ne pas forcer l'outil. Utiliser un outil approprié pour le travail.** Un outil approprié exécutera le travail mieux et de façon moins dangereuse s'il fonctionne dans les limites prévues.
- **Ne pas utiliser l'outil si la gâchette ne fonctionne pas correctement.** Tout outil qui ne peut pas être contrôlé par la gâchette est dangereux et doit être réparé.
- **Vérifier le mécanisme de contact de la tête de l'outil fréquemment.** Ne pas utiliser l'outil si le mécanisme de déclenchement par contact ne fonctionne pas correctement, car l'éjection accidentelle d'un clou pourrait se produire. Ne pas empêcher le fonctionnement correct du mécanisme de contact de la tête de la cloueuse.
- **Ranger les outils non utilisés hors de portée des enfants et des personnes n'ayant pas reçu des instructions adéquates.** Dans les mains de personnes n'ayant pas reçu des instructions adéquates, les outils sont dangereux.
- **Entretenir soigneusement les outils.** Respecter toutes les instructions d'entretien. Les outils correctement entretenus sont plus faciles à contrôler.
- **Vérifier qu'aucune pièce mobile n'est mal alignée, grippée ou brisée et s'assurer qu'aucun autre problème risque d'affecter le bon fonctionnement de l'outil. En cas de dommages, faire réparer l'outil avant de l'utiliser de nouveau.** Beaucoup d'accidents sont causés par des outils mal entretenus.
- **Utiliser exclusivement les clous/agraves recommandés pour le modèle d'outil.**

RÈGLES DE SÉCURITÉ GÉNÉRALES

- **Garder l'outil et sa poignée secs, propres et exempts d'huile ou de graisse.** Toujours utiliser un chiffon propre pour le nettoyage. Ne jamais utiliser de liquide de freins, d'essence, de produits à base de pétrole ou de solvants forts pour nettoyer l'outil. Le respect de cette règle réduira les risques de perte du contrôle et d'endommagement du boîtier en plastique.

DÉPANNAGE

- **Le dépannage des outils doit être confié exclusivement à un personnel qualifié.** Les réparations ou entretiens effectués par des personnes non qualifiées présentent des risques de blessures.

RÈGLES DE SÉCURITÉ PARTICULIÈRES

- **Apprendre à connaître l'outil.** Lire attentivement le manuel d'utilisation. Apprendre les applications et les limites de l'outil, ainsi que les risques spécifiques relatifs à son utilisation. Le respect de cette règle réduira les risques de choc électrique, d'incendie et de blessures graves.
- **Toujours porter une protection oculaire avec écrans latéraux certifiée conforme à la norme ANSI Z87.1.** Si cette précaution n'est pas prise, des objets peuvent être projetés dans les yeux et causer des lésions graves.
- **Protection respiratoire.** Porter un masque facial ou respiratoire si le travail produit de la poussière. Le respect de cette règle réduira les risques de blessures graves.
- **Protection auditive.** Porter une protection auditive durant les périodes d'utilisation prolongée. Le respect de cette règle réduira les risques de blessures graves.
- **S'assurer que le flexible n'est ni bloqué, ni accroché.** Un flexible emmêlé ou entortillé peut causer une perte d'équilibre et être endommagé.
- **L'outil ne doit être utilisé que pour les applications pour lesquelles il est conçu.** Ne pas décharger des clous dans le vide.
- **Cet outil pneumatique ne doit être utilisé que pour les applications pour lesquelles il est conçu.**
- **Ne pas utiliser de clous en acier trempé avec cet outil.**
- **Utiliser seulement les agrafes recommandées pour cet outil.** L'utilisation du mauvais type d'agrafes pourrait nuire au débit des agrafes et entraîner des bourrages d'agrafes ainsi que l'éjection des clous de l'outil à des angles irréguliers. Si le débit des agrafes n'est pas constant et fluide, cesser de les utiliser sur le champ. Les bourrages et un débit d'agrafes irrégulier peuvent occasionner des blessures graves.
- **Ne jamais utiliser cet outil de façon à ce qu'un clou puisse être dirigé vers quoi que ce soit d'autre que la pièce à clouer.**
- **Ne pas utiliser cet outil comme un marteau.**

- **Utiliser exclusivement des pièces identiques à celles d'origine pour les réparations. Se conformer aux instructions de la section Entretien de ce manuel.** L'usage de pièces non autorisées ou le non respect des instructions d'entretien peut présenter des risques de blessures.

- **Toujours transporter l'outil par la poignée.** Ne jamais transporter l'outil par le flexible d'air.
- **Ne pas altérer ou modifier cet outil, ni l'utiliser pour des fonctions autres que celles prévues, sans autorisation préalable de son fabricant.**
- **Ne jamais oublier qu'un usage incorrect ou abusif de cet outil peut mettre l'opérateur et les autres personnes présentes en danger.**
- **Ne jamais laisser l'outil sans surveillance avec le flexible d'air branché.**
- **Ne pas utiliser cet outil s'il ne comporte pas d'autocollant d'avertissement.**
- **Ne pas utiliser un outil qui présente des fuites d'air ou ne fonctionne pas correctement.**

UTILISATION

- **Toujours présumer que l'outil contient des clous.**
- **Toujours manipuler l'outil avec précaution :**
 - Respecter cet outil comme tout équipement de travail.
 - Ne pas l'utiliser comme un jouet.
 - Ne jamais appuyer sur la gâchette si la tête de l'outil n'est pas dirigée vers la pièce à clouer.
 - Garder toutes les personnes présentes à distance sûre de l'outil, car un éventuel déclenchement accidentel pourrait entraîner des blessures.
- **Cet outil est conçu pour être utilisé avec une seule main.** Ne pas mettre les mains, la tête ou d'autres parties du corps près de l'embout expulsant les clous de l'outil pour éviter des blessures graves.
- **Ne pointer l'outil ni vers soi, ni vers quiconque, qu'il contienne des clous ou non.**
- **N'actionner l'outil que pour planter un clou dans la pièce à assujettir.**

RÈGLES DE SÉCURITÉ PARTICULIÈRES

- **Toujours s'assurer que la surface de contact est exactement positionnée sur la pièce à clouer.** Un positionnement seulement partiel de la surface de contact sur la pièce à clouer peut occasionner des blessures graves, car l'agrafe risque d'être éjectée complètement à côté de la pièce.
- **Ne pas planter de clous près du bord du matériau.** La pièce à clouer peut se fendre, causant un ricochet du clou, qui risque alors de blesser l'opérateur ou une autre personne présente. Ne pas oublier que le clou peut suivre le grain du bois et que sa pointe peut ressortir inopinément par le bord de la planche.
- **Garder les mains et toutes les parties du corps à l'écart du point à clouer.** Au besoin, assujettir la pièce à clouer avec des serre-joint pour garder les mains à l'écart de la zone dangereuse. S'assurer que la pièce à clouer est correctement assujettie avant d'appuyer la cloueuse à sa surface. Le contact de la cloueuse peut causer un déplacement inopiné de la pièce.
- **Lors du travail dans des endroits confinés, garder le visage et le corps à l'écart de l'arrière de l'outil.** Un recul brusque peut projeter la cloueuse contre le corps, en particulier lors du clouage de matériaux denses.
- **Durant l'utilisation normale de l'outil, un recul se produit lorsqu'un clou est planté. Ce recul est normal.** Ne pas essayer de l'empêcher en maintenant l'outil contre la pièce à clouer. Cela pourrait causer l'éjection d'un second clou. Tenir la poignée fermement, laisser l'outil exécuter le travail et ne jamais placer l'autre main sur le dessus de l'outil ou près de l'échappement. Le non respect de cette mise en garde peut entraîner des blessures graves.
- **Ne pas planter un clou sur un autre ou avec l'outil à un angle trop prononcé, car le clou pourrait dévier et blesser quelqu'un.**
- **Ne pas planter de clous près du bord de la pièce, car le bois pourrait se fendre et le clou risquerait alors d'être projeté et de blesser quelqu'un.**

ALIMENTATION ET CONNEXIONS PNEUMATIQUES

- **Ne pas utiliser de l'oxygène ou des gaz combustibles ou en bouteille pour alimenter l'outil, car celui-ci pourrait exploser et infliger des blessures graves ou mortelles.**
- **Ne pas utiliser un compresseur d'air pouvant produire une pression de plus de 200 psi car l'outil pourrait exploser et infliger des blessures.**
- **Le connecteur utilisé sur l'outil ne doit pas maintenir la pression une fois que l'alimentation pneumatique a été débranchée.** Si un fusible de type incorrect est utilisé, l'outil peut rester chargé d'air une fois débranché et éjecter un clou, risquant de blesser quelqu'un.
- **Toujours débrancher l'alimentation pneumatique :**
 - Avant d'effectuer des réglages
 - Lors de l'entretien de l'outil
 - Lors du déblocage de l'outil
 - Lorsque l'outil n'est pas en usage
 - Avant de se déplacer avec l'outil, car un déclenchement accidentel pourrait entraîner des blessures

CHARGEMENT DE L'OUTIL

- **Ne pas charger l'outil lorsque l'une des commandes de déclenchement est activée.**

Lors du chargement de l'outil :




- **Ne jamais placer une main ou une partie quelconque du corps devant la tête de l'outil.**
- **Ne jamais pointer l'outil sur qui que ce soit.**
- **Ne pas appuyer sur la gâchette ou sur le mécanisme de contact, car l'outil pourrait éjecter un clou, risquant de blesser quelqu'un.**

CONSERVER CES INSTRUCTIONS.







- Les consulter fréquemment et les utiliser pour instruire les autres utilisateurs éventuels. Si cet outil est prêté, il doit être accompagné de ces instructions.

SYMBOLES

Les termes de mise en garde suivants et leur signification ont pour but d'expliquer le degré de risques associé à l'utilisation de ce produit.

SYMBOLE	SIGNAL	SIGNIFICATION
	DANGER :	Indique une situation extrêmement dangereuse qui, si elle n'est pas évitée, aura pour conséquences des blessures graves ou mortelles.
	AVERTISSEMENT :	Indique une situation potentiellement dangereuse qui, si elle n'est pas évitée, pourrait entraîner des blessures graves ou mortelles.
	ATTENTION :	Indique une situation potentiellement dangereuse qui, si elle n'est pas évitée, pourrait entraîner des blessures légères ou de gravité modérée.
	ATTENTION :	(Sans symbole d'alerte de sécurité) Indique une situation pouvant entraîner des dommages matériels.

Certains des symboles ci-dessous peuvent être utilisés sur l'outil. Veiller à les étudier et à apprendre leur signification. Une interprétation correcte de ces symboles permettra d'utiliser l'outil plus efficacement et de réduire les risques.

SYMBOL	NAME	DESIGNATION/EXPLANATION
	Symbole d'alerte de sécurité	Indique un risque de blessure potentiel.
	Lire le manuel d'utilisation	Pour réduire les risques de blessures, l'utilisateur doit lire et veiller à bien comprendre le manuel d'utilisation avant d'utiliser ce produit.
	Protection oculaire	Toujours porter une protection oculaire avec écrans latéraux certifiée conforme à la norme ANSI Z87.1.
	Protection oculaire, protection de l'ouïe et casque	Toujours porter une protection oculaire avec écrans latéraux certifiée conforme à la norme ANSI Z87.1, avec protection auditive et un casque lorsque nécessaire.
	Garder les mains à l'écart	Garder les mains et le corps à l'écart de de la décharge de l'outil.
	Surface brûlante	Pour éviter les risques de blessures ou de dommages, éviter tout contact avec les surfaces brûlantes.

PROPOSITION 65 DE L'ÉTAT DE CALIFORNIE

AVERTISSEMENT :

Ce produit et la poussière dégagée lors du ponçage, sciage, meulage, perçage de certains matériaux et lors d'autres opérations de construction contient des produits chimiques, notamment du plomb, identifiés par l'état de Californie comme causes de cancer, des malformations congénitales ou des lésions de l'appareil reproducteur.

Bien se laver les mains après toute manipulation.

Voici certains exemples de ces produits chimiques :

- le plomb contenu dans la peinture au plomb,
- la silice cristalline contenue dans les briques, le béton et d'autres produits de maçonnerie, ainsi que
- l'arsenic et le chrome contenus dans le bois de construction traité par produits chimiques.

Le risque présenté par l'exposition à ces produits varie en fonction de la fréquence de ce type de travail. Pour réduire l'exposition : travailler dans un endroit bien aéré et utiliser des équipements de sécurité approuvés tels que masques antipoussière spécialement conçus pour filtrer les particules microscopique.

GLOSSAIRE

Activer (commandes de l'outil)

Mettre une commande sur une position déclenchant ou permettant de déclencher l'outil.

Actionner (outil)

Causer le mouvement des pièces conçues pour chasser le clou.

Système de déclenchement

Gâchette, déclencheur par contact et / ou autre commande qui, utilisées séparément ou conjointement, déclenchent l'outil.

Orifice d'entrée d'air

Sur un outil pneumatique, l'ouverture sur laquelle la source d'air est connectée, généralement au moyen d'un raccord fileté.

Pièce de fixation

Agrafe, cheville, clou ou autre pièce de fixation conçue et fabriquée pour être utilisée pour les outils répondant à cette norme.

Blocage

Obstruction dans le système d'alimentation ou de décharge de l'outil.

Pression d'air maximum

Pression maximale admissible de l'air comprimé, telle que spécifiée par le fabricant, pour alimenter un outil.

Commande

Dispositif qui, séparément ou en conjonction avec un système, peut causer le déclenchement de l'outil.

Gâchette

Commande de l'outil actionnée par le doigt de l'opérateur.

Pièce

Objet dans lequel un clou, une agrafe ou autre pièce de fixation est enfoncé par l'outil.

Contact de déclenchement

Pièce ou partie de l'outil conçue pour le déclencher par contact avec la pièce à assujettir.

CARACTÉRISTIQUES

FICHE TECHNIQUE

Pression de service 50-120 psi

Entrée d'air 1/4 po NPT

Gamme de fermail La masse commune Cloue 4d - 16d

Consommation d'air 0,003 m³/cycle (0,105 pi³/cycle) à 100 psi

Longueur de fermail 1 1/2 po-3 1/2 po

Poids 1,27 kg (2,8 lb.)

APPRENDRE À CLOUEUSE DE TYPE PAUME

Voir la figure 1, page 14.

La sécurité d'utilisation de ce produit exige la compréhension des informations apposées sur l'outil et contenues dans ce manuel d'utilisation, ainsi que la connaissance du travail à exécuter. Avant d'utiliser ce produit, se familiariser avec toutes ses fonctions et règles de sécurité.

SANGLE

La sangle peut être attachée du côté gauche ou droit à l'aide des loquets pratiques sur le dessus de la cloueuse de type paume et elle est ajustable selon la taille de la main.

RÉGLAGE DE PROFONDEUR D'ENFONCEMENT

Ce dispositif permet à l'opérateur d'ajuster précisément la profondeur d'enfoncement des clous.

GUIDE-CLOU MAGNÉTIQUE

Ce guide-clou magnétique permet de maintenir le clou bien en place pendant que conduisant des clous dans la pièce de fabrication.

CONNECTEUR RAPIDE PIVOTANT

Ce connecteur aide à empêcher les entortillements du flexible.

FILTRO AUTONETTOYANT EMPÊCHE LA PÉNÉTRATION DE DÉBRIS

Ce filtro autonettoyant empêche la pénétration de débris et prolonge la vie utile de l'outil.

ASSEMBLAGE

DÉBALLAGE

Ce produit a été expédié complètement assemblé.

- Avec précaution, sortir l'outil et les accessoires de la boîte. S'assurer que toutes les pièces figurant sur la liste de contrôle sont incluses.

AVERTISSEMENT :

Ne pas utiliser le produit s'il n'est pas complètement assemblé ou si des pièces semblent manquantes ou endommagées. Le fait d'utiliser un produit assemblé de façon inadéquate ou incomplète peut entraîner des blessures graves.

-
- Examiner soigneusement l'outil pour s'assurer que rien n'a été brisé ou endommagé en cours de transport.
 - Ne pas jeter les matériaux d'emballage avant d'avoir soigneusement examiné l'outil et avoir vérifié qu'il fonctionne correctement.
 - Si des pièces sont manquantes ou endommagées, appeler le 1-866-539-1710.

LISTE DE CONTRÔLE D'EXPÉDITION

Cloueuse de type paume
Clé hexagonale
Lubrifiant
Sac à outils
Manuel d'utilisation

AVERTISSEMENT :

Si des pièces manquent ou sont endommagées, ne pas utiliser cet outil avant qu'elles aient été remplacées. Ne pas prendre cette précaution pourrait entraîner des blessures graves.

AVERTISSEMENT :

Ne pas essayer de modifier cet outil ou de créer des accessoires non recommandés pour l'outil. De telles altérations ou modifications sont considérées comme un usage abusif et peuvent créer des conditions dangereuses, risquant d'entraîner des blessures graves.

UTILISATION

DANGER :

Ne pas utiliser de l'oxygène ou des gaz combustibles ou en bouteille pour alimenter l'outil. L'outil exploserait, causant des blessures graves ou mortelles.

AVERTISSEMENT :

Ne pas laisser la familiarité avec les outils faire oublier la prudence. Ne pas oublier qu'une fraction de seconde d'inattention peut entraîner des blessures graves.

AVERTISSEMENT :

Toujours porter une protection oculaire avec écrans latéraux certifiée conforme à la norme ANSI Z87.1. Si cette précaution n'est pas prise, des objets peuvent être projetés dans les yeux et causer des lésions graves.

AVERTISSEMENT :

Débrancher l'outil de la source d'air avant de quitter le lieu de travail, de transporter l'outil à un autre endroit ou de le passer à une autre personne. Ne pas prendre cette précaution peut entraîner des blessures graves.

APPLICATIONS

Cet outil peut être utilisé pour les applications ci-dessous :

- Charpenterie
- Revêtement
- Couverture de toit
- Platelage
- Terrasses en bois
- Bois de haute technologie
- Calage de sous-ensembles
- Pontage
- Palissades
- Assemblage de caisses
- Treillis
- Bardage
- Fabrication et réparation de palettes
- Faux planchers

AVERTISSEMENT :

Toujours porter une protection oculaire. Les protections oculaires ne s'ajustent pas de la même façon sur toutes les personnes. Veiller à ce que le dispositif oculaire soit doté d'écrans latéraux protégeant des débris projetés sur le devant et les côtés.

UTILISATION

PRÉPARATION DE L'OUTIL POUR LE TRAVAIL

Voir la figure 2, page 14.

Dans des conditions d'utilisation normales, l'outil doit être lubrifié avant d'être raccordé à l'alimentation pneumatique. Lubrifier le raccord d'air de l'outil une fois par jour si l'utilisation est minimale ou deux fois, si l'utilisation est intensive. Quelques gouttes suffisent à chaque lubrification. Une quantité excessive d'huile s'accumulerait à l'intérieur de l'outil et serait visible lors du cycle d'échappement.

Avant de brancher l'outil, s'assurer que le manomètre du compresseur d'air indique une pression correcte de 70 à 120 psi.

AVERTISSEMENT :

Débrancher l'outil de la source d'air avant de quitter le lieu de travail, de transporter l'outil à un autre endroit ou de le passer à une autre personne. Ne pas prendre cette précaution peut entraîner des blessures graves.

RACCORDEMENT DE L'OUTIL À UNE SOURCE D'AIR

Voir la figure 3, page 14.

DANGER :

Ne pas utiliser de l'oxygène ou des gaz combustibles ou en bouteille pour alimenter l'outil. L'outil exploserait, causant des blessures graves ou mortelles.

Cet outil est conçu pour fonctionner avec de l'air comprimé propre, sous pression régulée de 70 à 120 psi. La pression d'air correcte est la plus basse permettant d'exécuter le travail.

NOTE : Une pression d'air de plus de 120 psi peut endommager l'outil.

L'outil et le raccord doivent être connectés par un raccord permettant de relâcher toute la pression de l'outil lors du débranchement,

AVERTISSEMENT :

Toujours utiliser un raccord déchargeant toute la pression de l'outil lorsque le flexible est déconnecté. L'usage d'un raccord ne relâchant pas l'air comprimé pourrait causer un déclenchement accidentel susceptible d'entraîner des blessures graves.

AVERTISSEMENT :

Ne pas monter sur une échelle ou un échaffaudage et transportant un outil connecté au flexible d'air. Cela pourrait entraîner des blessures graves.

Raccorder l'outil à la source d'air au moyen d'un raccord rapide femelle de 1/4 po. Un raccord rapide femelle de 3/8 po peut au besoin être utilisé si un flexible de 1/4 po n'est pas disponible. Toutefois, pour un fonctionnement optimal de l'outil, un flexible et un raccord de 3/8 po doivent être utilisés.

CHARGEMENT DES CLOUS

Voir le figures 4, page 14.

AVERTISSEMENT :

Le mécanisme d'entraînement de l'outil peut être actionné lors du raccordement à la source d'air. Toujours raccorder l'outil à la source d'air avant de charger les clous afin d'éviter des blessures causées par un déclenchement involontaire. Toujours s'assurer que la embout est vide, au début de chaque séance de travail, avant de raccorder l'outil à la source d'air.

-
- Conecte la herramienta al suministro de aire.
 - En tenant le bout de l'outil loin de vous, insérez un clou dans la embout. Assurez-vous que les clous sont orientés vers le bas et selon l'angle.
 - Ne pas tenir la pointe ou la tête du clou lors de son insertion dans l'embout.

AVERTISSEMENT :

Veiller à ne pointer l'outil ni vers soi, ni vers d'autres personnes lors du chargement de clous. L'inobservation de cette consigne peut entraîner des blessures graves.

AVERTISSEMENT :

Ne jamais charger les clous avec with the embout enfoncé. Cela pourrait entraîner des blessures graves.

RÉGLAGE DE LA PRESSION D'AIR

Le réglage de pression d'air dépend de la taille des clous et de la dureté du matériau à clouer.

Commencer par tester la profondeur d'enfoncement en plantant l'un des clous à utiliser dans un morceau du même bois que la pièce à clouer.

Pour le test, utiliser une pression de 50 à 55 psi. Augmenter ou réduire la pression d'air de manière à obtenir le réglage minimum permettant d'exécuter le travail uniformément.

Il est possible d'obtenir la profondeur désirée simplement en réglant la pression d'air. Si un réglage plus fin est nécessaire, utiliser le réglage de profondeur d'enfoncement de l'outil.

UTILISATION

RÉGLAGE DE PROFONDEUR D'ENFONCEMENT

Voir la figure 5, page 14.

La profondeur d'enfoncement des clous peut être ajustée. Il est recommandé de faire un essai sur une chute afin de déterminer la profondeur requise pour l'application.

Pour déterminer la profondeur, régler d'abord la pression d'air, puis planter un clou. Pour obtenir la profondeur nécessaire, utiliser le réglage de profondeur d'enfoncement de l'outil.

- Débrancher l'outil de la source d'air.
- Tourner le sélecteur de profondeur vers la droite ou la gauche pour accroître ou réduire la profondeur.
- Rebrancher l'outil à la source d'air.
- Planter un clou d'essai après chaque réglage, jusqu'à ce que la profondeur voulue soit obtenue.

AJUSTEMENT DE LA SANGLE

Voir les figures 6 - 7, page 14.

- Débrancher l'outil de la source d'air.
- Déterminer avec quelle main la cloueuse sera utilisée et attacher la sangle au loquet conformément.

- Tirer sur la partie supérieure de la sangle autoagrippante attachée à la base.
- Insérer la main et serrer pour ajuster.
- Réattacher la partie supérieure de la sangle autoagrippante à la base.

ENFONCER DES CLOUS

- Placez la pointe du clou sur la pièce à travailler.
- Appuyez fermement sur l'outil à l'aide de votre paume. Assurez-vous que le clou demeure aligné avec l'embout au moment de l'enfoncer.
- Sortir l'outil de la clous quand compléter.



AVERTISSEMENT :

Ne jamais le clou avec votre main ou vos doigts pendant que conduisant le clou. Cela pourrait entraîner des blessures graves.

ENTRETIEN

AVERTISSEMENT :

Utiliser exclusivement des pièces RIDGID d'origine pour les réparations. L'usage de toute autre pièce pourrait créer une situation dangereuse ou endommager l'outil.

AVERTISSEMENT :

Toujours porter une protection oculaire avec écrans latéraux certifiée conforme à la norme ANSI Z87.1. Si cette précaution n'est pas prise, des objets peuvent être projetés dans les yeux et causer des lésions graves.

AVERTISSEMENT :

Débrancher l'outil de la source d'air avant tout entretien. Ne pas prendre cette précaution peut entraîner des blessures graves.

ENTRETIEN GÉNÉRAL

Éviter d'utiliser des solvants pour le nettoyage des pièces en plastique. La plupart des matières plastiques peuvent être endommagées par divers types de solvants du commerce. Utiliser un chiffon propre pour éliminer la saleté, la poussière, l'huile, la graisse, etc.

AVERTISSEMENT :

Ne jamais laisser de liquides tels que le fluide de freins, l'essence, les produits à base de pétrole, les huiles pénétrantes, etc., entrer en contact avec les pièces en plastique. Les produits chimiques peuvent endommager, affaiblir ou détruire le plastique, ce qui peut entraîner des blessures graves.

LUBRIFICATION

Une lubrification fréquente, mais pas excessive, est nécessaire pour obtenir un fonctionnement optimal. De l'huile pour outils pneumatiques, placée dans le connecteur de flexible d'air, lubrifiera les pièces internes. Ne pas utiliser une huile détergente ou un additif, car ces produits accélèreraient l'usure des joints et butoirs de l'outil, nuisant à son fonctionnement et exigeant des entretien fréquents.

UTILISATION PAR TEMPS FROID

Lorsque l'outil est utilisé par temps froid, l'humidité contenue dans le flexible d'air peut geler, empêchant le fonctionnement de l'outil. Par temps froid, nous recommandons d'utiliser un lubrifiant pour outils pneumatiques ou un antigel permanent (glycoléthène).

ATTENTION :

Ne pas entreposer les outils dans des endroits froids pour éviter la formation de givre ou de glace sur les soupapes et mécanismes, afin de ne pas risquer une défaillance de l'outil.

NOTE : Certains produits d'assèchement de flexibles d'air sont nuisibles aux joints et joints toriques. Ne pas utiliser de tels produits sans s'être assuré de leur compatibilité.

PRESSIION ET VOLUME D'AIR

Le volume d'air est aussi important que la pression. Le volume d'air parvenant à l'outil peut être insuffisant, du fait de flexibles et raccords de trop petit diamètre ou de la présence de saleté et d'eau dans le système. L'obstruction du circuit d'air empêche l'outil de recevoir un volume suffisant, même si l'indication de pression du manomètre est élevée. Il en résulte un ralentissement du fonctionnement, le blocage des clous ou une insuffisance de puissance. Avant d'examiner un outil présentant ces symptômes, examiner l'alimentation d'air, jusqu'à la source en vue de connecteurs obstrués, d'eau dans les points bas et de tout ce qui pourrait empêcher qu'un volume d'air suffisant parvienne à l'outil.

ACCESSOIRES

Pour la commande de pièces et kits d'entretien, appeler le 1-866-539-1710.

Kit d'entretien du mécanisme d'entraînement079005005702

Kit de remise à neuf.....079005005701

AVERTISSEMENT :

Les outils et accessoires disponibles actuellement pour cet outil sont listés ci-dessus. Ne pas utiliser d'outils ou accessoires non recommandés pour cet outil. L'utilisation de pièces et accessoires non recommandés peut entraîner des blessures graves.

DÉPANNAGE

PROBLÈME	CAUSE POSSIBLE	SOLUTION
L'outil est inopérant ou faible	Alimentation pneumatique insuffisante	Vérifier que l'alimentation en air est suffisante
	Lubrification insuffisante	Lubrifier l'outil
	Joints, joints toriques ou butoir usés	Installer le kit de remise à neuf et remplacement des joints toriques
L'outil se bloque fréquemment	Clous de type incorrects	S'assurer que les clous sont de taille correcte
	Clous endommagés	Remplacer les clous

**FIGURES (ILLUSTRATIONS) COMMENÇANT SUR
14 DE PAGE APRÈS LA SECTION ESPAGNOL.**

GARANTIE

GARANTIE LIMITÉE DE SERVICE DE 3 ANS SUR LES OUTILS PNEUMATIQUES RIDGID®

Une preuve d'achat doit être présentée pour toute demande de réparation sous garantie.

Ce produit est fabriqué par One World Technologies, Inc., sous licence de marque de RIDGID, Inc. Toutes les correspondances relatives à la garantie doivent être adressées à One World Technologies, Inc. à l'intention de : Service technique des outils pneumatiques RIDGID, au 1-866-539-1710 (appel gratuit).

POLITIQUE DE SATISFACTION ASSURÉE DE 90 JOURS

En cas de dissatisfaction pour quelque raison que ce soit au cours des 90 jours suivant la date d'achat, cet outil pneumatique RIDGID® pourra être retourné au point de vente pour échange ou remboursement intégral. Pour obtenir un outil en échange, l'équipement original devra être retourné, dans son emballage d'origine, accompagné d'une preuve d'achat. L'outil fourni en échange sera couvert par la garantie limitée pour le restant de la période de validité de 3 ANS.

CE QUI EST COUVERT PAR LA GARANTIE LIMITÉE DE 3 ANS

Cette garantie couvre tous les vices de matériaux et de fabrication des outils pneumatiques RIDGID®, pour une période de trois ans, à compter de la date d'achat. Les garanties d'autres produits RIDGID® peuvent être différentes.

RÉPARATIONS SOUS GARANTIE

Pour toute réparation sous garantie, cet outil RIDGID® devra être retourné, en port payé, à un centre de réparations RIDGID® pour outils pneumatiques. L'adresse du centre de réparations agréé le plus proche peut être obtenue en appelant le 1-866-539-1710 (appel gratuit), ou en accédant au site Internet RIDGID® : www.ridgid.com. Le reçu de vente daté doit être présenté lors de toute demande de réparation sous garantie. Le centre de réparations agréé corrigera tout défaut de fabrication et réparera ou remplacera (à notre choix) gratuitement, toute pièce défectueuse.

CE QUI N'EST PAS COUVERT

La garantie ne couvre que l'acheteur au détail original et n'est pas transférable. Cette garantie ne couvre pas les problèmes de fonctionnement, défaillances ou autres défauts résultant d'un usage incorrect ou abusif, de la négligence, de la modification, de l'altération ou de réparations effectuées par quiconque autre qu'un centre de réparations RIDGID® agréé. Les articles de consommation fournis avec cet outil, tels que, mais sans y être limité, les clous, l'huile et les lunettes de sécurité ne sont pas couverts.

RIDGID, INC. ET ONE WORLD TECHNOLOGIES, INC. NE FONT AUCUNE AUTRE GARANTIE, REPRÉSENTATION OU PROMESSE CONCERNANT LA QUALITÉ ET LES PERFORMANCES DE CET OUTIL PNEUMATIQUE, AUTRES QUE CELLES EXPRESSÉMENT INDIQUÉES DANS LE PRÉSENT DOCUMENT.

AUTRES LIMITATIONS

Sous réserve que les lois en vigueur le permettent, toutes les garanties implicites sont exclues, y compris les GARANTIES DE VALEUR MARCHANDE ou D'ADÉQUATION À UN USAGE PARTICULIER. Toutes les garanties implicites, y compris les garanties de valeur marchande ou d'adéquation à un usage particulier ne pouvant pas être exclues en raison des lois en vigueur, sont limitées à une durée de trois ans, à compter de la date d'achat. One World Technologies, Inc. et RIDGID, Inc. déclinent toute responsabilité pour les dommages directs ou indirects. Certains états et provinces ne permettant pas de limitation sur la durée des garanties implicites, et / ou l'exclusion ou la limitation des dommages directs ou indirects, les restrictions ci-dessus peuvent ne pas être applicables. Cette garantie donne au consommateur des droits spécifiques, et celui-ci peut bénéficier d'autres droits, qui varient selon les états ou provinces.

One World Technologies, Inc.

P.O. Box 35, Hwy. 8

Pickens, SC 29671, États-Unis

REGLAS DE SEGURIDAD GENERALES



PELIGRO :

LEA Y COMPRENDA LAS ETIQUETAS DE LAS HERRAMIENTAS Y EL MANUAL. La inobservancia de los avisos de advertencia podría causar la MUERTE o LESIONES SERIAS.

GUARDE ESTAS INSTRUCCIONES

ÁREA DE TRABAJO

- **Mantenga limpia y bien iluminada el área de trabajo.** Una mesa de trabajo mal despejada y una mala iluminación son causas comunes de accidentes.
- **No utilice herramientas motorizadas en atmósferas explosivas, como las existentes alrededor de líquidos, gases y polvos inflamables.** Las herramientas eléctricas generan chispas que pueden encender el polvo y los vapores inflamables.
- **Mantenga alejados a los circunstantes, niños y demás presentes al utilizar una herramienta eléctrica.** Toda distracción puede causar la pérdida del control de la herramienta.

SEGURIDAD PERSONAL

- **Al cargar, utilizar y dar servicio a esta herramienta, el operador y demás personas SIEMPRE deben llevar puesta protección ocular que cumpla con las especificaciones ANSI y ofrezca protección contra partículas que salgan disparadas del FRENTE y de los LADOS.** Se requiere protección ocular como protección contra sujetadores y desechos que salgan disparados, los cuales pueden causar lesiones oculares serias.
- **Tanto el patrón como el operador deben asegurarse de que se use protección ocular adecuada.** Recomendamos la careta protectora de visión amplia encima de los anteojos normales o de los anteojos de seguridad que ofrecen protección frontal y lateral contra partículas que salen disparadas. Siempre póngase protección ocular con protección lateral con la marca de cumplimiento de la norma ANSI Z87.1.
- **En algunos entornos se requiere protección adicional.** Por ejemplo, en el área de trabajo puede haber exposición a un nivel de ruido que puede dañar el oído. El patrón y el operador deben asegurarse de contar con toda la protección auditiva necesaria y de que sea usada por el operador mismo y demás personas presentes en el área de trabajo. En algunos entornos se requiere el uso de equipo de protección para la cabeza. Cuando se requiera, el patrón y el operador deben asegurarse de que la protección usada para la cabeza cumpla con la norma ANSI Z89.1-1997.
- **Permanezca alerta, preste atención a lo que esté haciendo y aplique el sentido común al utilizar herramientas eléctricas. No utilice la herramienta si está cansado o se encuentra bajo los efectos de alguna droga, alcohol o medicamento.** Un momento

de inatención al utilizar una herramienta eléctrica puede causar lesiones corporales serias.

- **Vístase adecuadamente. No vista ropas holgadas ni joyas. Recójase el cabello si está largo. Mantenga el cabello, la ropa y los guantes alejados de las piezas móviles.** Las ropas holgadas, las joyas y el cabello largo pueden engancharse en las piezas móviles.
- **Para evitar disparar accidentalmente la herramienta, mantenga los dedos lejos del gatillo cuando no esté clavando.**
- **No estire el cuerpo para alcanzar mayor distancia. Mantenga una postura firme y buen equilibrio en todo momento.** La postura firme y el buen equilibrio permiten un mejor control de la herramienta en situaciones inesperadas.
- **Use equipo de seguridad. Siempre póngase protección ocular.** Cuando lo exijan las circunstancias debe ponerse careta contra el polvo, zapatos de seguridad antiderrapantes, casco o protección auditiva.
- **No utilice la unidad al estar en una escalera o en un soporte inestable.** Una postura estable sobre una superficie sólida permite un mejor control de la herramienta en situaciones inesperadas.

EMPLEO Y CUIDADO DE LA HERRAMIENTA

- **No fuerce la herramienta. Utilice la herramienta adecuada al trabajo.** La herramienta adecuada efectúa el trabajo mejor y de manera más segura, si además se maneja a la velocidad para la que está diseñada
- **No utilice la herramienta si no funciona correctamente el gatillo.** Una herramienta que no pueda controlarse con el gatillo es peligrosa y debe repararse.
- **Verifique con frecuencia el funcionamiento del mecanismo del disparador de contacto.** No use la herramienta si no está funcionando correctamente el mecanismo del disparador de contacto, ya que puede causarse por accidente el disparo de un sujetador. No interfiera en el funcionamiento normal del mecanismo del disparador de contacto.
- **Guarde las herramientas que no estén en uso fuera del alcance de los niños y de toda persona no capacitada en el uso de las mismas.** Las herramientas son peligrosas en manos de personas no capacitadas en el uso de las mismas.
- **Dé mantenimiento con cuidado a las herramientas.** Siga todas las instrucciones de mantenimiento. Las herramientas que han recibido el debido mantenimiento se controlan con mayor facilidad.
- **Revise para ver si hay desalineación o atoramiento de piezas móviles, ruptura de piezas o toda otra condición que pueda afectar el funcionamiento de la herramienta. Si se daña la herramienta, llévela a servicio antes de volver a utilizarla.** Numerosos accidentes son causados por herramientas mal cuidadas.

REGLAS DE SEGURIDAD GENERALES

- **Sólo utilice los sujetadores recomendados para cada modelo en particular.**
- **Mantenga la herramienta y el mango secos, limpios y sin aceite ni grasa.** Siempre utilice un paño limpio para la limpieza de la unidad. Nunca utilice fluidos para frenos, gasolina, productos a base de petróleo ni solventes fuertes para limpiar la herramienta. Con el cumplimiento de esta regla se reduce el riesgo de una pérdida de control y el deterioro del alojamiento de plástico de la unidad.

SERVICIO

- **El servicio de la herramienta sólo debe ser efectuado por personal de reparación calificado.** Todo servicio o mantenimiento efectuado por personal no calificado puede significar un riesgo de lesiones.
- **Al dar servicio a una herramienta, sólo utilice piezas de repuesto idénticas. Siga las instrucciones señaladas en la sección Mantenimiento de este manual.** El empleo de piezas no autorizadas o el incumplimiento de las instrucciones de mantenimiento puede significar un riesgo de lesiones.

REGLAS DE SEGURIDAD ESPECÍFICAS

- **Familiarícese con su herramienta neumática .** Lea cuidadosamente el manual del operador. Aprenda sus usos y limitaciones, así como los posibles peligros específicos de esta herramienta. Con el cumplimiento de esta regla se reduce el riesgo de una descarga eléctrica, incendio o lesión seria.
- **Siempre póngase protección ocular con protección lateral con la marca de cumplimiento de la norma ANSI Z87.1.** Si no cumple esta advertencia, los objetos que salen despedidos pueden producirle lesiones serias en los ojos.
- **Protéjase los pulmones.** Use una careta o mascarilla contra el polvo si la operación genera mucho polvo. Con el cumplimiento de esta regla se reduce el riesgo de lesiones corporales serias.
- **Protéjase los oídos.** Durante períodos prolongados de utilización de la unidad póngase protección para los oídos. Con el cumplimiento de esta regla se reduce el riesgo de lesiones corporales serias.
- **Asegúrese de que la manguera no esté obstruida ni enganchada.** Si la manguera se enreda o engancha puede causar una pérdida del equilibrio o postura y puede dañarse.
- **Solamente utilice esta herramienta para el propósito especificado.** No dispare clavos al aire.
- **Use la herramienta neumática solamente para el propósito para la que fue diseñada.**
- **No utilice clavos endurecidos con esta herramienta.**
- **Solamente utilice los sujetadores recomendados para esta herramienta.** El uso de los sujetadores incorrectos podría hacer que los sujetadores no avancen bien, que se atoren y que los clavos no salgan de la herramienta siempre al mismo ángulo. Si los sujetadores no avanzan de manera uniforme y correcta, interrumpa su uso de inmediato. Los sujetadores atorados que avanzan de manera incorrecta pueden provocar lesiones serias.
- **Nunca utilice esta herramienta de ninguna forma que pueda dirigir un sujetador (clavo o grapa, según sea el caso) hacia ninguna otra cosa que no sea la pieza de trabajo.**

- **No use la herramienta como martillo.**
- **Siempre porte la herramienta por el mango.** Nunca porte la herramienta por la manguera de aire.
- **No altere ni modifique esta herramienta con respecto al diseño o funcionamiento original sin la aprobación del fabricante.**
- **Siempre tenga presente que el uso y manejo indebidos de esta herramienta puede causarle lesiones a usted y a otras personas.**
- **Nunca deje desatendida ninguna herramienta con la manguera de aire conectada.**
- **No utilice esta herramienta si no tiene una etiqueta de advertencia.**
- **No continúe usando ninguna herramienta que tengafugas de aire o que no funcione correctamente.**

FUNCIONAMIENTO

- **Siempre suponga que la herramienta contiene sujetadores.**
- **Siempre maneje con cuidado la herramienta:**
 - Respete la herramienta como un elemento de trabajo.
 - Nunca participe en jugueteos.
 - Nunca tire del gatillo a menos que la punta de la herramienta esté dirigida hacia la superficie de trabajo.
 - Mantenga a las demás personas a una distancia segura de la herramienta mientras esté utilizándose ésta, ya que puede ocurrir un accionamiento accidental de la misma, y posibles lesiones.
- **Esta herramienta está diseñada únicamente para ser usada con una sola mano.** No coloque las manos, la cabeza ni ninguna otra parte del cuerpo cerca de la nariz por la que salen los clavos de la herramienta ya que podrían registrarse lesiones personales de gravedad.
- **No apunte la herramienta hacia usted mismo ni a ninguna otra persona, ya sea que contenga sujetadores o no.**

REGLAS DE SEGURIDAD ESPECÍFICAS

- **No accione la herramienta, a menos que tenga la intención de introducir un sujetador en la pieza de trabajo.**
- **Siempre asegúrese de que el elemento de contacto con la pieza de trabajo esté totalmente colocado encima de ella.** Colocar el elemento de contacto con la pieza de trabajo solamente de manera parcial encima de ella podría causar que el sujetador no se introduzca en la pieza de trabajo por completo y provoque lesiones serias.
- **No introduzca clavos cerca del borde del material.** La pieza de trabajo puede partirse y causar que el clavo rebote y lo lesione a usted o a un compañero de trabajo. Tenga presente que el clavo puede seguir la fibra de la madera y salir inesperadamente por un lado de la pieza de trabajo.
- **Mantenga las manos y todas las partes del cuerpo lejos del área de trabajo inmediata.** Sujete firmemente la pieza de trabajo con prensas de mano cuando sea necesario para proteger las manos y el cuerpo de todo posible peligro. Asegúrese de que la pieza de trabajo esté debidamente asegurada antes de presionar la clavadora contra el material. El disparador de contacto puede causar un movimiento inesperado de la pieza de trabajo.
- **Mantenga la cara y las demás partes del cuerpo lejos de la tapa de la herramienta al trabajar en espacios limitados.** En una retracción súbita, la herramienta puede golpear el cuerpo, especialmente al clavar en material duro o denso.
- **Durante el uso normal de la herramienta, ésta se retrae de inmediato después de introducir un sujetador. Así es el funcionamiento normal de la herramienta.** No intente impedir la retracción presionando la clavadora contra la pieza de trabajo. Toda restricción impuesta a la retracción puede producir la impulsión de un segundo sujetador en la clavadora. Sujete firmemente el mango, permita a la herramienta que haga el trabajo y no coloque la otra mano encima de la herramienta ni cerca del escape de aire en ningún momento. La inobservancia de esta advertencia puede causar lesiones corporales serias.
- **No introduzca sujetadores encima de otros, ni con la herramienta a un ángulo excesivamente pronunciado, ya que esto puede causar la desviación de los sujetadores y con ello posibles lesiones.**
- **No introduzca sujetadores cerca del borde de la pieza de trabajo, ya que puede partirse la madera con lo cual podría desviarse el sujetador y causar lesiones.**

SUMINISTRO DE AIRE Y CONEXIONES

- **No utilice oxígeno, gases combustibles ni gases embotellados como fuente de energía para esta herramienta, ya que puede explotar y causar lesiones o la muerte.**
- **No use compresores de aire que puedan excederse de 200 psi de presión, ya que la herramienta puede estallar y causar lesiones.**
- **El conector de la herramienta debe no conservar presión una vez desconectado el suministro de aire.** Si se utiliza una conexión inadecuada, la herramienta puede permanecer cargada de aire después de desconectarla del suministro de aire y por lo tanto con capacidad de impulsar un sujetador (clavo o grapa, según sea el caso) y de causar lesiones.
- **Siempre desconecte el suministro de aire:**
 - Antes de efectuar ajustes
 - Al dar servicio a la herramienta
 - Al despejar un atoramiento
 - Cuando no está usándose la unidad
 - Al trasladarse a un área de trabajo diferente, ya que puede accionarse accidentalmente la herramienta y causar lesiones.

CÓMO CARGAR LA HERRAMIENTA

- **No cargue los sujetadores en la herramienta cuando esté activado cualquiera de los controles de operación de la misma.**

Al cargar la herramienta:




- **Nunca coloque las manos ni ninguna parte del cuerpo en el área de la herramienta donde sale disparado el sujetador (clavo o grapa, según sea el caso).**
- **Nunca apunte la herramienta a nadie.**
- **No tire del gatillo ni oprima el disparador de contacto, ya que puede accionarse accidentalmente la herramienta y causar lesiones.**

GUARDE ESTAS INSTRUCCIONES.







- **Consúltelas con frecuencia y empléelas para instruir a otras personas que puedan utilizar esta herramienta. Si presta a alguien esta herramienta, facilítele también las instrucciones.**

SÍMBOLOS

Las siguientes palabras de señalización y sus significados tienen el objeto de explicar los niveles de riesgo relacionados con este producto.

SÍMBOLO	SEÑAL	SIGNIFICADO
	PELIGRO:	Indica una situación peligrosa inminente, la cual, si no se evita, causará la muerte o lesiones serias.
	ADVERTENCIA:	Indica una situación peligrosa posible, la cual, si no se evita, podría causar la muerte o lesiones serias.
	PRECAUCIÓN:	Indica una situación peligrosa posible, la cual, si no se evita, podría causar lesiones menores o leves.
	PRECAUCIÓN:	(Sin el símbolo de alerta de seguridad) Indica una situación que puede producir daños materiales.

Es posible que se empleen en esta herramienta algunos de los siguientes símbolos. Le suplicamos estudiarlos y aprender su significado. Una correcta interpretación de estos símbolos le permitirá utilizar mejor y de manera más segura la herramienta.

SYMBOL	NAME	DESIGNATION/EXPLANATION
	Alerta de seguridad	Indica un peligro posible de lesiones personales.
	Lea el manual del operador	Para reducir el riesgo de lesiones, el usuario debe leer y comprender el manual del operador antes de usar este producto.
	Protección ocular	Siempre póngase protección ocular con la marca de cumplimiento de la norma ANSI Z87.1.
	Protección para los ojos, los oídos y la cabeza	Siempre póngase protección ocular con la marca de cumplimiento de la norma ANSI Z87.1 junto con protección para los oídos y la cabeza que la necesite.
	Mantenga lejos las manos	Mantenga las manos y el resto del cuerpo lejos del área de la herramienta por donde sale disparado el sujetador.
	Superficie caliente	Para reducir el riesgo de lesiones corporales o daños materiales evite tocar toda superficie caliente.

CALIFORNIA - PROPUESTA DE LEY NÚM. 65



ADVERTENCIA:

Este producto puede contener sustancias químicas (por ejemplo, plomo) reconocidas por el estado de California como causantes de cáncer, defectos congénitos y otras afecciones del aparato reproductor. **Lávese las manos después de utilizar el aparato.**

Algunos ejemplos de estas sustancias químicas son:

- plomo de las pinturas a base de plomo,
- silicio cristalino de los ladrillos, del cemento y de otros productos de albañilería, y
- arsénico y cromo de la madera químicamente tratada.

El riesgo de la exposición a estos compuestos varía, según la frecuencia con que se realice este tipo de trabajo. Para reducir la exposición personal, trabaje en áreas bien ventiladas, y con equipo de seguridad aprobado, tal como las caretas para el polvo especialmente diseñadas para filtrar partículas microscópicas.

GLOSARIO DE TÉRMINOS

Activar (los controles de accionamiento)

Es mover un control de accionamiento de manera que quede en una posición en la cual se accione la herramienta o cumpla con un requisito necesario para accionar la misma.

Accionar (la herramienta)

Es producir el movimiento de los componentes de la herramienta específicos para introducir un sujetador (clavo o grapa, según sea el caso).

Sistema de accionamiento

Es el gatillo, el disparador de contacto o cualquier otro control de accionamiento, empleado(s) por separado o en alguna combinación o secuencia, para accionar la herramienta.

Conexión de entrada de aire

Refiriéndose a herramientas neumáticas, es la abertura a la cual se conecta el suministro de aire comprimido, normalmente por medio de un conector roscado.

Sujetador

Es una grapa, clavo, puntilla o cualquier otra pieza de unión diseñada y fabricada para utilizarse en las herramientas de este tipo.

Atoramiento

Es una obstrucción en las zonas de alimentación o introducción de sujetadores de la herramienta.

Presión de aire máxima

Es la presión máxima permitida del aire comprimido, según las especificaciones del fabricante para la utilización de una herramienta.

Control de accionamiento

Es un control que, por separado o como parte de un sistema de accionamiento de una herramienta, sirve para accionarla.

Gatillo

Es un control de accionamiento de una herramienta el cual maneja con los dedos el operador.

Pieza de trabajo

Es el objeto específico en el cual se introduce un sujetador (clavo o grapa, según sea el caso) con una herramienta.

Disparador de contacto

Es un elemento de control de accionamiento o un conjunto de tales elementos, el cual es activado al tocar el material en el que va a introducirse el sujetador.

CARACTERÍSTICAS

ESPECIFICACIONES DEL PRODUCTO

Presión de funcionamiento..... 50-120 psi
Entrada de aire 1/4 pulg. NPT
Gama de cierre..... El bulto común clavos 4d-16d

Consumo de aire
0,003 m³/ciclos (0,105 pi³/ciclos) à 100 psi
Longitud de cierre 1 1/2 pulg. - 3 1/2 pulg.
Peso 1,27 kg (2,8 lb.)

FAMILIARÍCESE CON EL CLAVADORA DE MANO

Vea la figura 1, página 14.

Para usar este producto con la debida seguridad se debe comprender la información indicada en la herramienta misma y en este manual, y se debe comprender también el trabajo que intenta realizar. Antes de usar este producto, familiarícese con todas las características de funcionamiento y normas de seguridad del mismo.

CORREA DE MANO

La correa de mano se puede colocar desde la izquierda o la derecha con los cómodos pestillos que se encuentran en la parte superior de la clavadora de mano y se puede ajustar para adaptarse al tamaño de la mano.

AJUSTE DE LA PROFUNDIDAD DE INTRODUCCIÓN

El ajuste de la profundidad de introducción no requiere herramientas y permite al operador ajustar con precisión la profundidad de introducción del sujetador.

GUÍA PARA CLAVOS MAGNÉTICA

La guía para clavos magnética al manejar los clavos en el pieza de trabajo.

CONECTOR GIRATORIO RÁPIDO

El conector giratorio rápido impide enredar la manguera.

FILTRO DE AIRE EN EL MANGO SE LIMPIA AUTOMÁTICAMENTE

El filtro de aire en el mango se limpia automáticamente mantiene los desechos afuera de la herramienta y prolonga la vida de servicio de la misma.

ARMADO

DESEMPAQUETADO

Embarcamos este producto completamente armado.

- Extraiga cuidadosamente de la caja la herramienta y los accesorios. Asegúrese de que estén presentes todos los artículos enumerados en la lista de empaquetado.

ADVERTENCIA:

No use este producto si no está totalmente ensamblado o si alguna pieza falta o está dañada. Si utiliza un producto que no se encuentra ensamblado de forma correcta y completa, puede sufrir lesiones graves.

- Inspeccione cuidadosamente la herramienta para asegurarse de que no haya sufrido ninguna rotura o daño durante el transporte.
- No deseché el material de empaquetado sin haber inspeccionado cuidadosamente la herramienta y haberla utilizado satisfactoriamente.
- Si hay piezas dañadas o faltantes, le suplicamos llamar al 1-866-539-1710, donde le brindaremos asistencia.

LISTA DE EMPAQUETADO

Clavadora de mano
Bolsa de herramientas
Lubricante
Llave hexagonal
Manual del operador

ADVERTENCIA:

Si hay piezas dañadas o faltantes, no utilice esta herramienta sin haber reemplazado las piezas dañadas o faltantes. La inobservancia de esta advertencia puede causar lesiones graves.

ADVERTENCIA:

No intente modificar esta herramienta ni hacer accesorios no recomendados para la misma. Cualquier alteración o modificación constituye maltrato el cual puede causar una condición peligrosa, y como consecuencia posibles lesiones corporales serias.

FUNCIONAMIENTO

PELIGRO:

No utilice oxígeno, gases combustibles ni gases embotellados como fuente de energía para esta herramienta. La herramienta explotará y causará la muerte o lesiones serias.

ADVERTENCIA:

No permita que su familiarización con las herramientas lo vuelva descuidado. Tenga presente que un descuido de un instante es suficiente para causar una lesión seria.

ADVERTENCIA:

Siempre póngase protección ocular con protección lateral con la marca de cumplimiento de la norma ANSI Z87.1. Si no cumple esta advertencia, los objetos que salen despedidos pueden producirle lesiones serias en los ojos.

ADVERTENCIA:

Desconecte la herramienta del suministro de aire antes de abandonar el área de trabajo, de trasladar la herramienta a otro lugar y de alargar la herramienta a otra persona. La inobservancia de esta advertencia puede causar lesiones serias.

USOS

Esta herramienta puede emplearse para los fines enumerados abajo:

- Entramado
 - Enablado de paredes
 - Enablado de techos
 - Entarimado de pisos
 - Terrazas exteriores de madera
 - Madera producida tecnológicamente
 - Subensambles de bloqueo
 - Armado de puentes
 - Cercas
 - Armado de cajas y embalajes de madera
 - Armaduras
 - Revestimiento de muros exteriores
 - Armado y reparación de paletas de carga
 - Contrapisos
-

ADVERTENCIA:

Siempre póngase protección ocular. La protección ocular no les queda a todos los operadores de la misma forma. Asegúrese de que la protección ocular escogida disponga de protectores laterales u ofrezca protección contra desechos disparados provenientes tanto del frente como de los lados.

PREPARACIÓN DE LA HERRAMIENTA PARA UTILIZARLA

Vea la figura 2, página 14.

En condiciones normales, la herramienta debe lubricarse antes de conectarla a un suministro de aire. Vierta lubricante para herramientas neumáticas en la conexión del aire de la herramienta una vez al día, o dos veces si se usa intensivamente. Solamente son necesarias unas pocas gotas de aceite cada vez. Si se pone demasiado aceite se acumula dentro de la herramienta y estará presente en la fase de escape.

Antes de conectar la herramienta, revise el indicador del compresor de aire para asegurarse de que esté funcionando dentro del intervalo normal de 70 a 120 psi (lb./pulg. cuad.).

ADVERTENCIA:

Desconecte la herramienta del suministro de aire antes de abandonar el área de trabajo, de trasladar la herramienta a otro lugar y de alargar la herramienta a otra persona. La inobservancia de esta advertencia puede causar lesiones serias.

CÓMO CONECTAR LA HERRAMIENTA A UN SUMINISTRO DE AIRE

Vea la figura 3, página 14.

PELIGRO:

No utilice oxígeno, gases combustibles o gases embotellados como fuente de energía para esta herramienta. La herramienta explotará y causará la muerte o lesiones serias.

Esta herramienta está diseñada para funcionar con aire comprimido, seco y limpio, a presiones reguladas entre 70 y 120 psi. La presión correcta de aire es la presión menor que sirva para efectuar el trabajo.

NOTA: Una presión de aire mayor de 120 psi puede dañar la herramienta.

La manguera de aire debe tener un acoplamiento que permita eliminar toda la presión de la herramienta al desconectarlo de la misma.

ADVERTENCIA:

Siempre utilice un acoplamiento que descargue todo el aire comprimido contenido en la herramienta al momento de desconectar de la misma el adaptador o acoplamiento de la manguera. Si utiliza un acoplamiento que no descargue el aire comprimido podría hacer funcionar accidentalmente la herramienta y producirse lesiones serias.

FUNCIONAMIENTO

ADVERTENCIA:

No se suba a ningún equipo o andamio mientras acarree una herramienta conectada a una manguera de aire. La inobservancia de esta advertencia puede causar lesiones serias.

Conecte la herramienta al suministro de aire con un conector hembra rápido de 1/4 pulg. Puede utilizarse un conector hembra rápido de 3/8 pulg. si no hay un conducto de suministro de 1/4 pulg. No obstante, para lograr un desempeño óptimo de la herramienta se requieren un conducto de suministro y conexiones de 3/8 pulg.

OPERACIÓN DE CARGA DE LOS CLAVOS EN LA HERRAMIENTA

Vea la figuras 4, página 14.

ADVERTENCIA:

El mecanismo de impulsión de la herramienta puede funcionar un ciclo al conectarse ésta al suministro de aire. Siempre conecte la herramienta al suministro de aire antes de cargarla de clavos para evitar lesiones causadas por el ciclo de funcionamiento indeseado. Siempre cerciórese el nosepiece es vacío en el principio de cada sesión del trabajo, antes de conectar a un suministro aéreo.

- Conecte la herramienta al suministro de aire.
- Con la punta de la herramienta apuntando en la dirección opuesta a donde se encuentra usted, coloque un clavo en la punta. Asegúrese de que los clavos estén apuntando hacia abajo, y en el ángulo mostrado.
- No sostenga la punta ni la cabeza del clavo cuando lo cargue en la nariz.

ADVERTENCIA:

Mantenga la herramienta apuntando en la dirección opuesta a donde se encuentra usted y otras personas mientras carga los clavos. La inobservancia de esta advertencia puede causar lesiones corporales serias.

ADVERTENCIA:

Nunca cargue los clavos teniendo punta presionada. La inobservancia de esta advertencia puede causar lesiones serias.

AJUSTE DE LA PRESIÓN DE AIRE

La cantidad presión de aire requerida depende del tamaño de los clavos y del material de la pieza de trabajo.

Comience por probar la profundidad de introducción introduciendo un clavo de prueba en el mismo tipo de material de la pieza de trabajo que va a usarse en el trabajo en la realidad.

Introduzca un clavo de prueba con la presión de aire puesta de 50 a 55 psi (lb./pulg. cuad.). Suba o baje la presión de aire hasta encontrar el nivel más bajo con el que pueda efectuarse el trabajo con resultados uniformes.

Puede ser posible lograr la profundidad deseada solamente con ajustes en la presión de aire. Si se necesitan ajustes más finos, use el ajuste de profundidad de introducción de la herramienta.

AJUSTE DE LA PROFUNDIDAD DE INTRODUCCIÓN

Vea la figura 5, página 14.

Puede ajustarse la profundidad de introducción del clavo. Se recomienda probar la profundidad de introducción en un pedazo de desecho para determinar la profundidad requerida en cada caso en particular.

Para determinar la profundidad, primero ajuste la presión de aire y luego introduzca un clavo de prueba. Para lograr la profundidad deseada, use el ajuste de profundidad de introducción de la herramienta.

- Desconecte la herramienta del suministro de aire.
- Para cambiar la profundidad de introducción, gire a la izquierda o derecha el selector de profundidad.
- Vuelva a conectar la herramienta al suministro de aire.
- Después de cada ajuste introduzca un clavo de prueba hasta lograr la profundidad deseada.

FUNCIONAMIENTO

PARTE SUPERIOR DE GANCHO Y LAZADA DE LA CORREA DE MANO

Veá las figuras 6 - 7, página 14.

- Desconecte la herramienta del suministro de aire.
- Determine con qué mano usará la clavadora de mano y coloque la correa de mano en el pestillo, como se muestra.
- Desarme la parte superior de gancho y lazada de la correa de mano y sepárela de la parte inferior.
- Introduzca la mano y ajuste la correa hasta que calce cómodamente.
- Vuelva a armar la parte superior de gancho y lazada de la correa de mano y únala a la parte inferior.

CÓMO CLAVAR CLAVOS

- Coloque la punta del clavo contra la pieza de trabajo.
- Oprima firmemente la herramienta con la palma de la mano. Mantenga el clavo alineado con la punta mientras lo clava.
- Extraiga de la clavo la herramienta cuando completa.



ADVERTENCIA:

Nunca asidere el clavo con su mano o dedos cuando manjar el clavo. La inobservancia de esta advertencia puede causar lesiones serias.

MANTENIMIENTO



ADVERTENCIA:

Para el servicio de la unidad sólo utilice piezas de repuesto RIDGID idénticas. El empleo de piezas diferentes puede causar un peligro o dañar el producto.



ADVERTENCIA:

Siempre póngase protección ocular con protección lateral con la marca de cumplimiento de la norma ANSI Z87.1. Si no cumple esta advertencia, los objetos que salen despedidos pueden producirle lesiones serias en los ojos.



ADVERTENCIA:

Desconecte la herramienta del suministro de aire antes de efectuar tareas de mantenimiento. La inobservancia de esta advertencia puede causar lesiones serias.

MANTENIMIENTO GENERAL

Evite el empleo de solventes al limpiar piezas de plástico. La mayoría de los plásticos son susceptibles a diferentes tipos de solventes comerciales y pueden resultar dañados. Utilice paños limpios para eliminar la suciedad, el polvo, el aceite, la grasa, etc.



ADVERTENCIA:

No permita en ningún momento que fluidos para frenos, gasolina, productos a base de petróleo, aceites penetrantes, etc., lleguen a tocar las piezas de plástico. Las sustancias químicas pueden dañar, debilitar o destruir el plástico, lo cual a su vez puede producir lesiones corporales serias.

LUBRICACIÓN

Para obtener un desempeño óptimo de la herramienta se requiere una lubricación frecuente, pero no excesiva. El aceite para herramientas neumáticas de clavar vertido por la conexión del conducto de aire lubrica las partes internas. No utilice aceite con detergente ni aditivos, ya que estos lubricantes propician un desgaste rápido de los sellos y parachoques de la herramienta, lo cual causa un desempeño inadecuado de la herramienta y la necesidad de mantenimiento frecuente.

MANTENIMIENTO

UTILIZACIÓN DE LA HERRAMIENTA EN TIEMPO FRÍO

Para utilizar la herramienta en tiempo frío, cerca de la temperatura de congelación y abajo de la misma, puede congelarse la humedad presente en el conducto de aire y puede impedir el funcionamiento de la herramienta. Recomendamos utilizar lubricante para herramientas neumáticas o anticongelante permanente (etilenglicol) como lubricante para clima frío.

PRECAUCIÓN:

Con el fin de evitar la formación de escarcha o hielo en las válvulas y mecanismos de operación de las herramientas que pudiera causar una falla de las mismas, no las guarde en lugares fríos.

NOTA: Algunos líquidos comerciales para secar conductos de aire dañan los sellos y las juntas tóricas. No use estos secadores de aire para baja temperatura sin verificar la compatibilidad de los mismos.

PRESIÓN Y VOLUMEN DEL SUMINISTRO DE AIRE

El volumen de aire es tan importante como la presión del mismo. El volumen de aire suministrado a la herramienta puede ser insuficiente a causa de conexiones y mangueras de tamaño insuficiente, o por los efectos de la suciedad y el agua presentes en el sistema. Toda limitación en el flujo de aire impide a la herramienta recibir un volumen adecuado de aire, incluso si está elevada la lectura de la presión. El resultado de tales circunstancias puede ser funcionamiento lento o potencia de introducción reducida. Antes de evaluar los problemas de la herramienta a causa de estos síntomas, revise el suministro de aire desde la herramienta hasta la fuente de suministro para ver si hay conectores limitantes o puntos bajos con contenido de agua y cualquier otra cosa que pueda impedir el flujo pleno de aire a la herramienta.

ACCESORIOS

Para pedir piezas y juegos de mantenimiento, llame al 1-866-539-1710.

Juego de mantenimiento del sistema impulsor079005005702
Juego de mantenimiento general.....079005005701



ADVERTENCIA:

Arriba se señalan los aditamentos y accesorios disponibles para usarse con esta herramienta. No utilice ningún aditamento o accesorio no recomendado por el fabricante de esta herramienta. El empleo de aditamentos o accesorios no recomendados podría causar lesiones serias.

SOLUCIÓN DE PROBLEMAS

PROBLEMA	CAUSA POSIBLE	SOLUCIÓN
La herramienta no hace nada o funciona con lentitud	Suministro de aire inadecuado	Verifique que haya un suministro de aire adecuado
	Lubricación inadecuada	Lubrique la herramienta
	Juntas tóricas o tope gastados o dañados	Instale el juego de mantenimiento general y vuelva a colocar las juntas tóricas
La herramienta sufre atoramientos con frecuencia	Sujetadores inadecuados	Verifique que sean del tamaño correcto los sujetadores
	Sujetadores dañados	Cambie los sujetadores
	Está flojo el cargador o los tornillos de la punta	Apriete los tornillos

GARANTÍA

GARANTÍA DE SERVICIO LIMITADA DE 3 AÑOS DE LAS HERRAMIENTAS NEUMÁTICAS RIDGID®

Debe presentarse prueba de la compra al solicitar servicio al amparo de la garantía.

Este producto está manufacturado por One World Technologies, Inc. La licencia de uso de la marca comercial es otorgada por RIDGID, Inc. Toda comunicación en relación con la garantía debe dirigirse a One World Technologies, Inc., a la atención de: Servicio técnico de herramientas neumáticas RIDGID, (línea gratuita) 1-866-539-1710.

POLÍTICA DE GARANTÍA DE SATISFACCIÓN DE 90 DÍAS

Durante los primeros 90 días a partir de la fecha de compra, si no está satisfecho con el desempeño de esta herramienta neumática RIDGID® por cualquier razón, puede devolverla al establecimiento donde la adquirió, donde se le proporcionará un reembolso total o un intercambio. Para recibir una herramienta de reemplazo, debe presentar documentación de prueba de la compra, y devolver el equipo original empaquetado con el producto original. La herramienta de reemplazo queda cubierta por la garantía limitada por el resto del período de garantía de servicio de 3 AÑOS.

LO QUE ESTÁ CUBIERTO POR LA GARANTÍA DE SERVICIO LIMITADA DE 3 AÑOS

Esta garantía de las herramientas neumáticas RIDGID® cubre todos los defectos en material y en mano de obra por un período de tres años a partir de la fecha de compra de la herramienta. Las garantías de otros productos RIDGID pueden ser diferentes.

FORMA DE OBTENER SERVICIO

Para obtener servicio para esta herramienta RIDGID®, debe devolverla, ya sea con el flete pagado por anticipado, o llevarla a un centro de servicio autorizado para herramientas neumáticas de la marca RIDGID®. Puede obtener información sobre la ubicación del centro de servicio autorizado más cercano llamando al 1-866-539-1710 (línea gratuita) o dirigiéndose al sitio electrónico de RIDGID® en Internet, en www.ridgid.com. Al solicitar servicio al amparo de la garantía, debe presentar el recibo de venta fechado original. El centro de servicio autorizado reparará toda mano de obra deficiente del producto, y reparará o reemplazará cualquier pieza cubierta en la garantía, a nuestra sola discreción, sin ningún cargo al consumidor.

LO QUE NO ESTÁ CUBIERTO

Esta garantía se ofrece exclusivamente al comprador original al menudeo y no puede transferirse. Esta garantía sólo cubre defectos que surjan en el uso normal de la herramienta y no cubre ningún malfuncionamiento, falla o defecto producido por el uso indebido, maltrato, negligencia, alteración, modificación o reparación efectuada por terceros diferentes de los centros de servicio autorizados de herramientas neumáticas RIDGID®. No están cubiertos los accesorios suministrados con la herramienta, como los sujetadores, aceite y anteojos de seguridad.

RIDGID, INC. Y ONE WORLD TECHNOLOGIES, INC. NO OFRECEN NINGUNA GARANTÍA, DECLARACIÓN O PROMESA EN RELACIÓN CON LA CALIDAD O EL DESEMPEÑO DE SUS HERRAMIENTAS NEUMÁTICAS, MÁS QUE LAS SEÑALADAS ESPECÍFICAMENTE EN ESTA GARANTÍA.

LIMITACIONES ADICIONALES

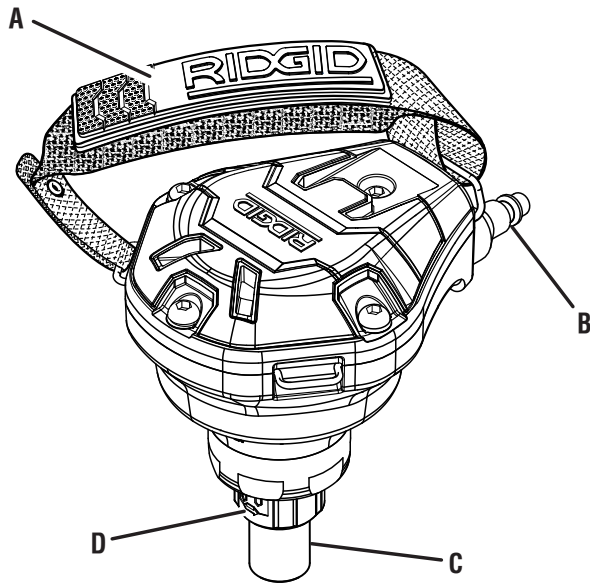
Hasta donde lo permiten las leyes relevantes, se desconoce toda garantía implícita, incluidas las garantías de comerciabilidad o idoneidad para un uso en particular. Toda garantía implícita, incluidas las garantías de comerciabilidad o idoneidad para un uso en particular, que no pueda desconocerse según las leyes estatales, está limitada a tres años a partir de la fecha de compra. One World Technologies, Inc. y RIDGID, Inc. no son responsables de daños directos, indirectos, incidentales o consecuentes. Algunos estados no permiten limitaciones en cuanto al período de vigencia de una garantía implícita y/o no permiten exclusiones o limitaciones de daños incidentales o consecuentes, por lo tanto es posible que esta limitación no se aplique en el caso de usted. Esta garantía le confiere derechos legales específicos, y es posible que usted goce de otros derechos, los cuales pueden variar de estado a estado.

One World Technologies, Inc.

P.O. Box 35, Hwy. 8

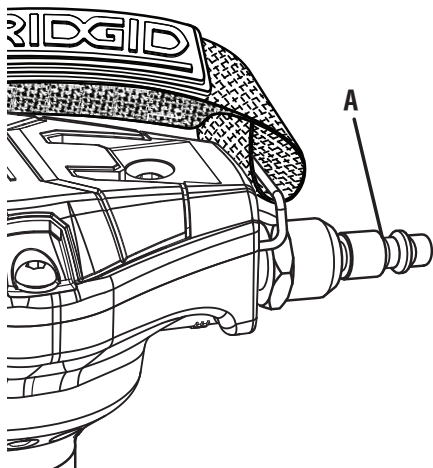
Pickens, SC 29671, USA

Fig. 1



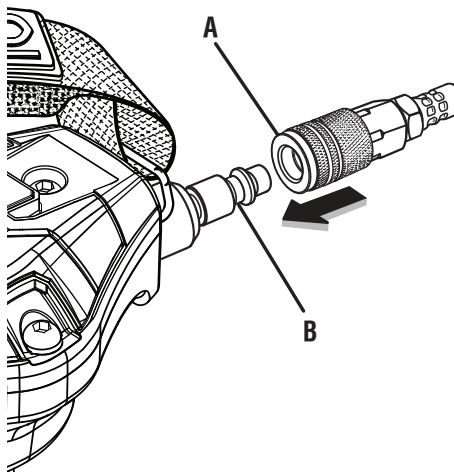
- A - Hand strap (sangle, correa de mano)
- B - Quick-connect swivel connector (connecteur rapide pivotant, conector giratorio rápido)
- C - Nosepiece (embout, punta)
- D - Drive depth adjustment (réglage de profondeur d'enfoncement, ajuste de la profundidad de introducción)

Fig. 2



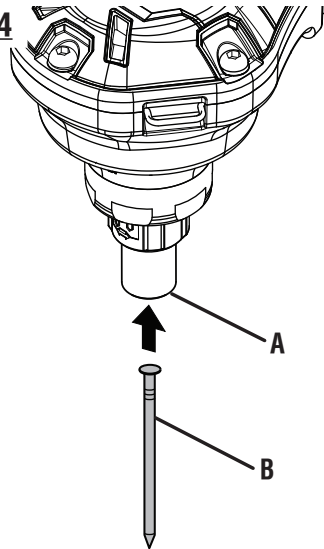
- A - Air fitting (raccord d'air, conexión de aire)

Fig. 3



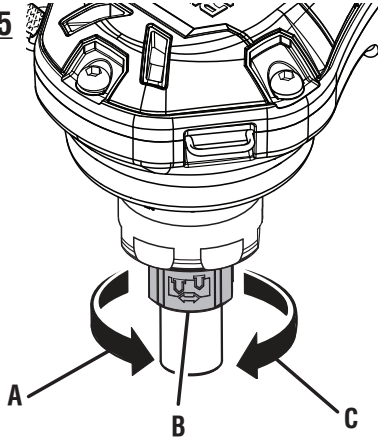
- A - Air hose connector (connecteur de flexible d'air, conector de la manguera de aire)
- B - Quick-connect swivel connector (connecteur rapide pivotant, conector giratorio rápido)

Fig. 4



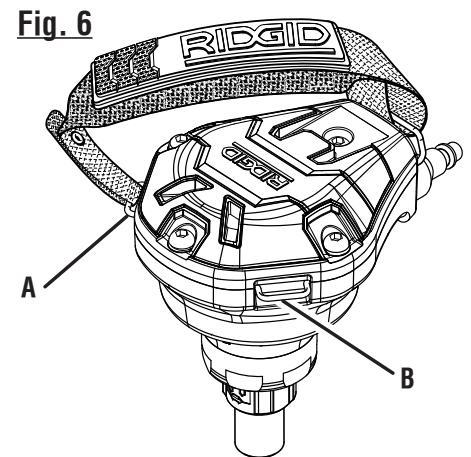
- A - Nosepiece (embout, punta)
- B - Nail (clous, clave)

Fig. 5



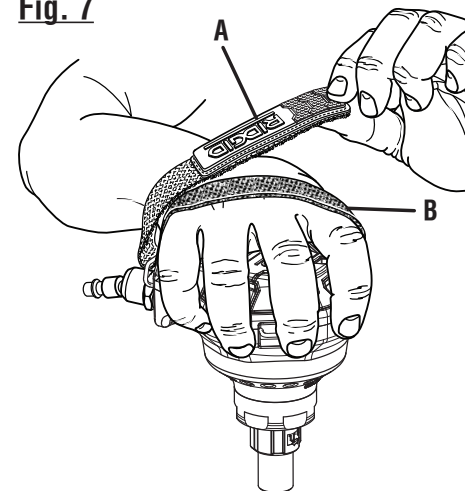
- A - To decrease depth (pour réduire la profondeur, para disminuir la profundidad)
- B - Drive depth adjustment (réglage de profondeur d'enfoncement, ajuste de la profundidad de introducción)
- C - To increase depth (pour augmenter la profondeur, para aumentar la profundidad)

Fig. 6



- A - Left hand latch (loquet droit, pestillo del lado izquierdo)
- B - Right hand latch (loquet gauche, pestillo del lado derecho)

Fig. 7



- A - Hook-and-loop top (partie supérieure de la sangle autoagrippante, parte superior de gancho y lazada de la correa de mano)
- B - Hook-and-loop bottom (partie inférieure de la sangle autoagrippante, parte inferior de gancho y lazada de la correa de mano)

OPERATOR'S MANUAL

MANUEL D'UTILISATION

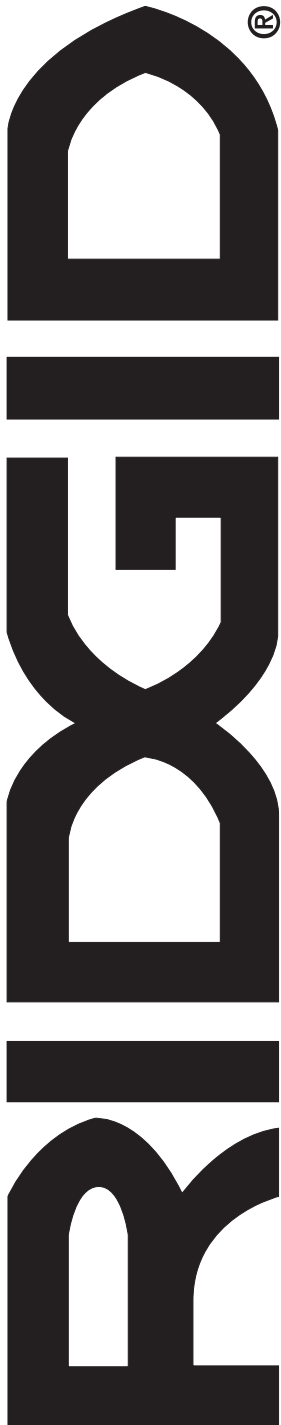
MANUAL DEL OPERADOR

PALM NAILER

CLOUEUSE DE TYPE PAUME

CLAVADORA DE MANO

R350PNE



Customer Service Information:

For parts or service, contact your nearest RIDGID authorized service center. Be sure to provide all relevant information when you call or visit. For the location of the authorized service center nearest you, please call 1-866-539-1710 or visit us online at www.ridgid.com.

The model number of this tool is found on a plate attached to the motor housing. Please record the serial number in the space provided below. When ordering repair parts, always give the following information:

Model No. _____ R350PNE _____

Serial No. _____

Service après-vente :

Pour acheter des pièces ou pour un dépannage, contacter le centre de réparations RIDGID agréé le plus proche. Veiller à fournir toutes les informations pertinentes lors de tout appel téléphonique ou visite. Pour obtenir l'adresse du centre de réparations agréé le plus proche, téléphoner au 1-866-539-1710, ou visiter notre site www.ridgid.com.

Le numéro de modèle se trouve sur une plaquette fixée au boîtier du moteur. Noter le numéro de série dans l'espace ci-dessous. Lors de toute commande de pièces détachées, fournir les informations suivantes :

No. de modèle _____ R350PNE _____

No. de série _____

Información sobre servicio al consumidor:

Para piezas de repuesto o servicio, comuníquese con el centro de servicio autorizado de productos RIDGID de su preferencia. Asegúrese de proporcionar todos los datos pertinentes al llamar o al presentarse personalmente. Para obtener información sobre el centro de servicio autorizado más cercano a usted, le suplicamos llamar al 1-866-539-1710 o visitar nuestro sitio en la red mundial, en la dirección www.ridgid.com.

El número de modelo de este producto se encuentra en una placa adherida al alojamiento del motor. Le recomendamos anotar el número de serie en el espacio suministrado abajo. Al ordenar piezas de repuesto siempre proporcione la siguiente información:

Núm. de modelo _____ R350PNE _____

Núm. de serie _____

988000-751
11-15-11 (REV:02)