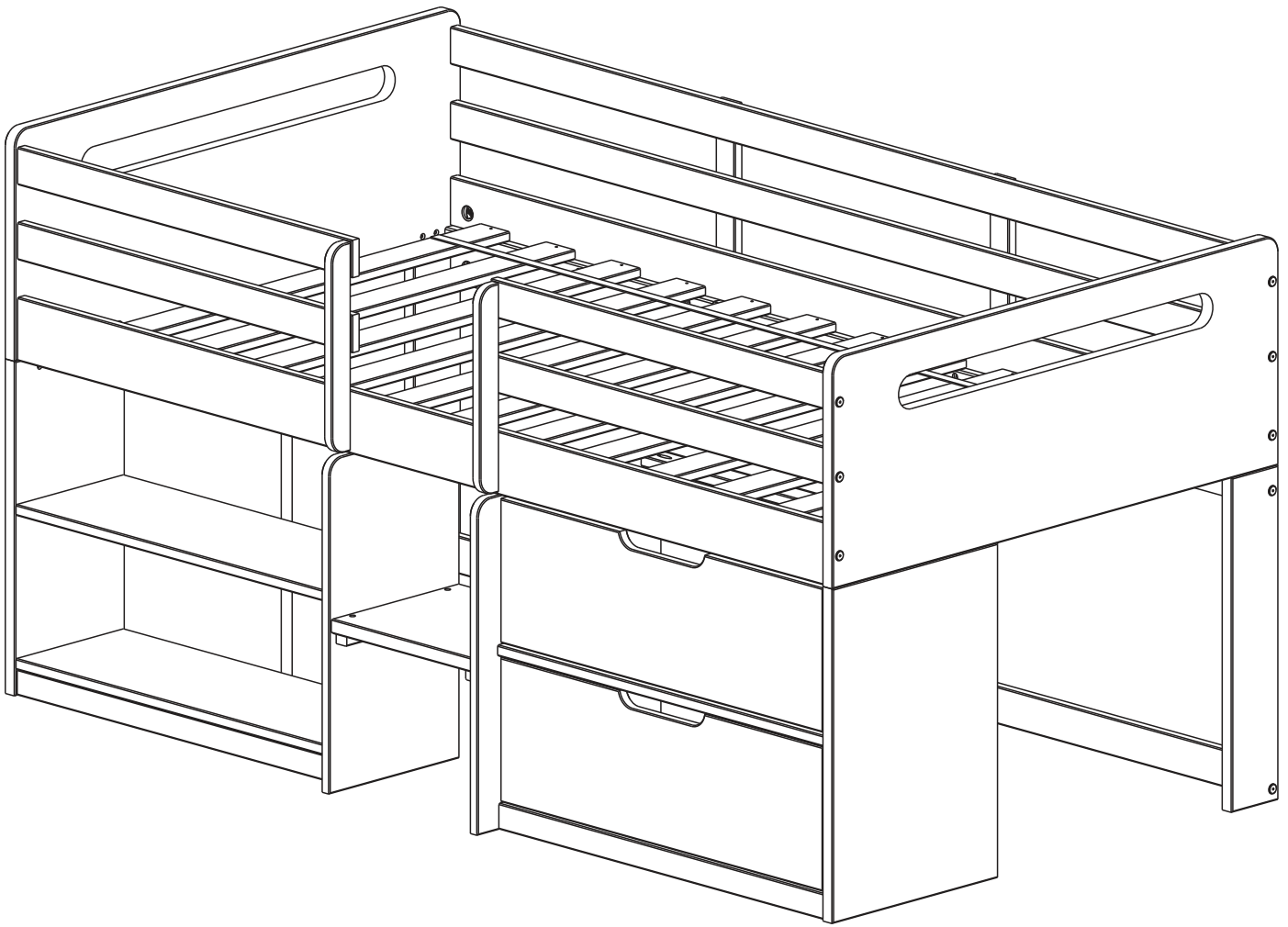


Fort Worth, Texas 76140


**ASSEMBLY INSTRUCTIONS**

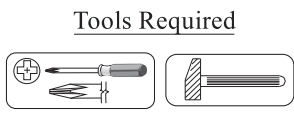
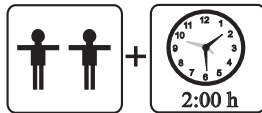
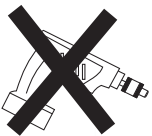
**2027 TWIN LOW LOFT BED**



Thank you for purchasing this quality product. Be sure to check all packing material carefully for small parts which may have come loose inside the carton during shipment. Separate, identify and count all parts and hardware. Compare with the parts list to be sure all parts are present.

**"DO NOT TIGHTEN SCREWS UNTIL COMPLETELY ASSEMBLED"**

  
\* Use of power tool to assemble this product will invalidate any claim and damage this product making unsafe !!!  
\* Please assemble on a clean soft surface to avoid damage.



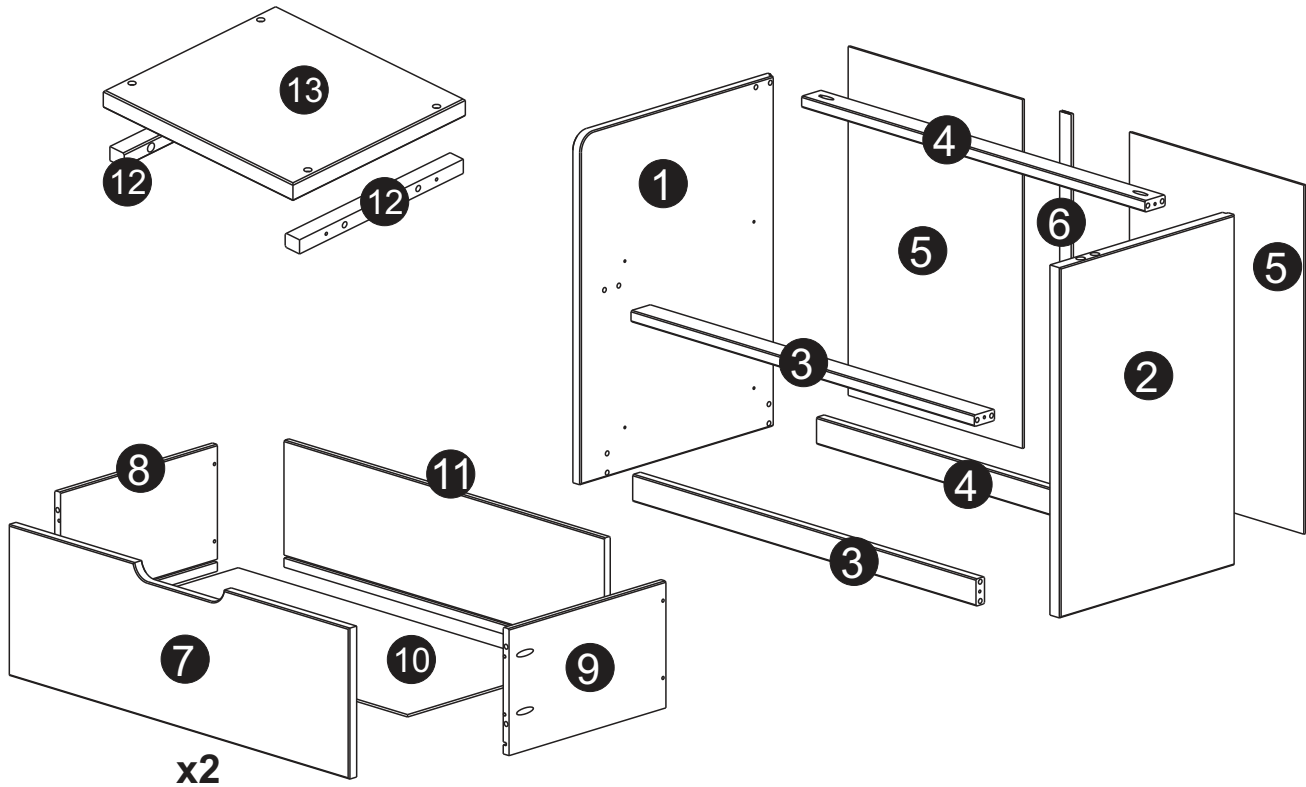
Tools Required

(Not included)


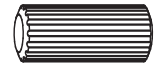

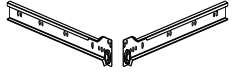





**IMPORTANT:**  
**PLEASE READ INSTRUCTION BEFORE STARTING THE ASSEMBLY**

# Part List - 2027 - 2 DRAWER CHEST LOW LOFTT



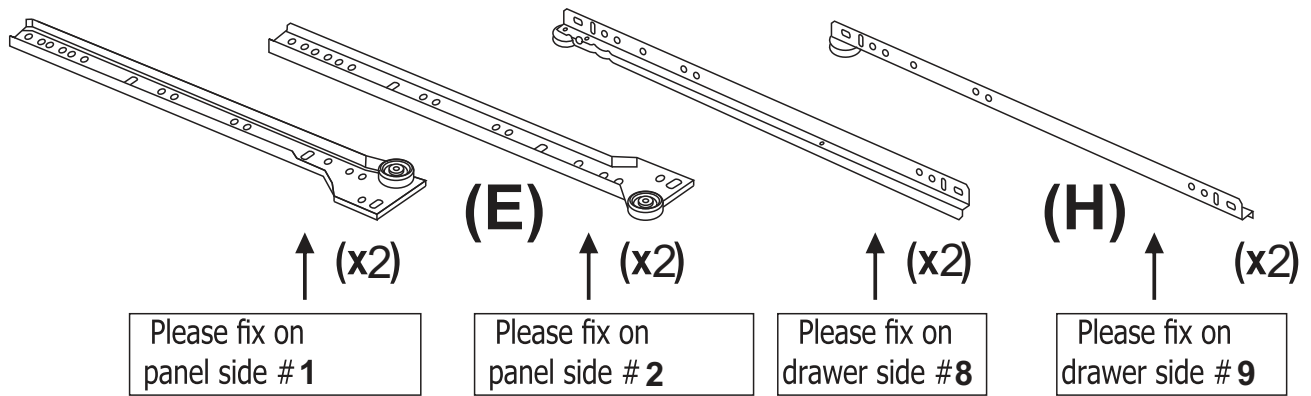
**Identifying the Hardware**-Identify the hardware using the illustrations below.

<b>B</b>  Qty <b>02</b> 15 x 90 Wood Dowel	<b>C</b>  Qty <b>28</b> 8x30 Wood Dowel	<b>D</b>  Qty <b>16</b> 6,0x10 Screw	<b>E</b>  Qty <b>02</b> Drawer Runner 350mm
<b>F</b>  Qty <b>26</b> 4,0 x 30 Screw	<b>G</b>  Qty <b>18</b> 10 x 10	<b>H</b>  Qty <b>02</b> Drawer Runner 350mm	

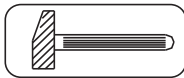
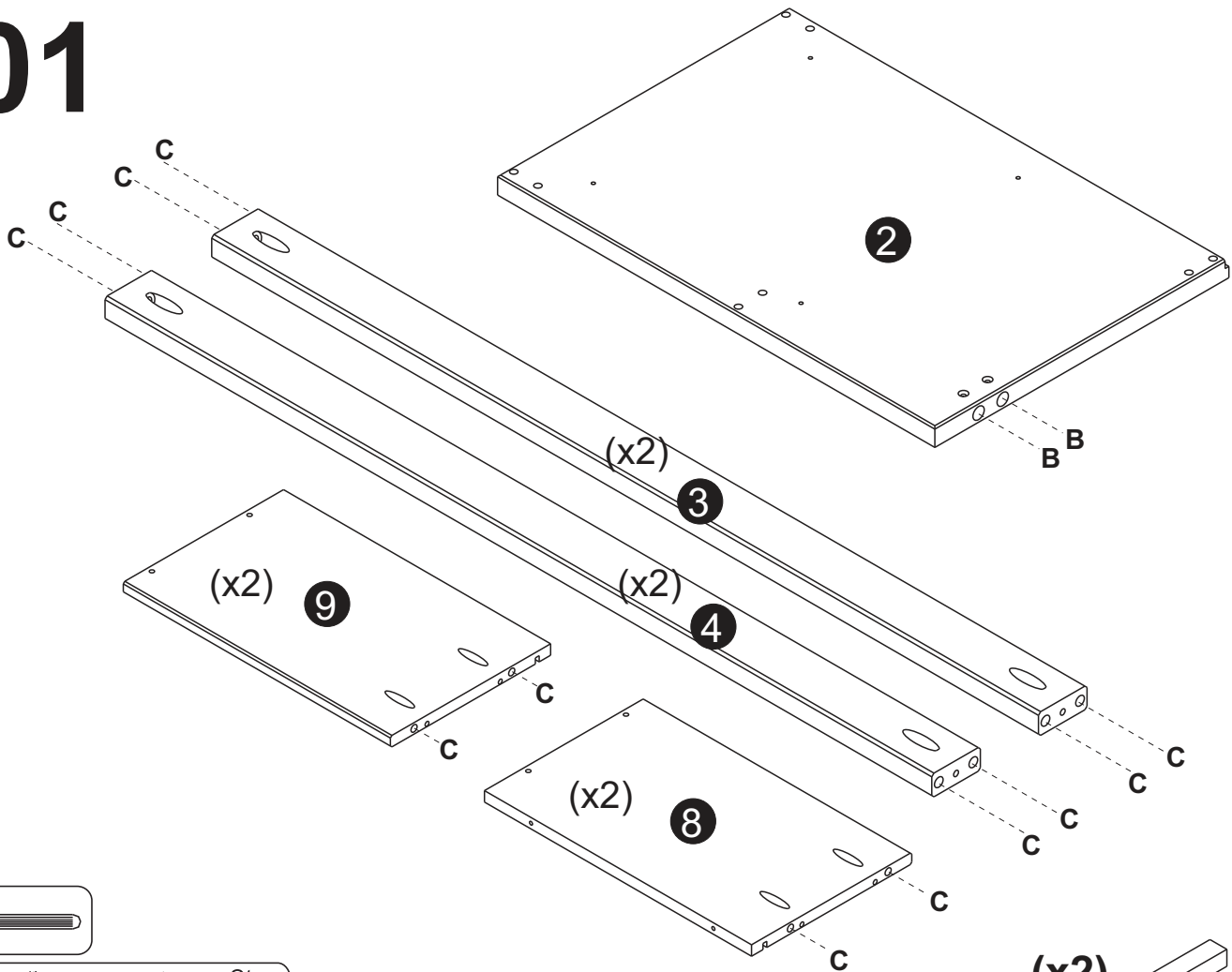
# SET OF METAL SLIDES FOR THE DRAWERS

The metal glides hardware are all in one packed. Please separate the left and right pieces like a pair.

- The glides # E are used on chest panel side and as left and right pieces.
- The glides # H are used on drawers side, also has left and right pieces.

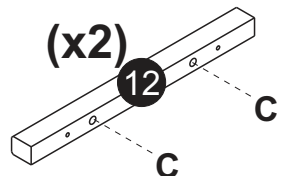


# 01



**C** 8 x 30 Wood Dowel Qty **28**

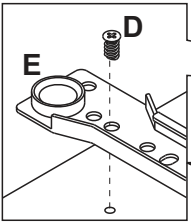
**B** 15 x 90 Wood Dowel Qty **02**




# 02

## Left side

 The wheel to the front !

  
PRE-DRILLED HOLES

## Right side

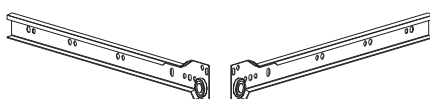
(+)  SPACE (+) TOP

 SPACE (-) BOTTOM

 The wheel to the front !

PRE-DRILLED HOLES

**E**



Drawer Runner 350mm

Qty  
**02**

**D**

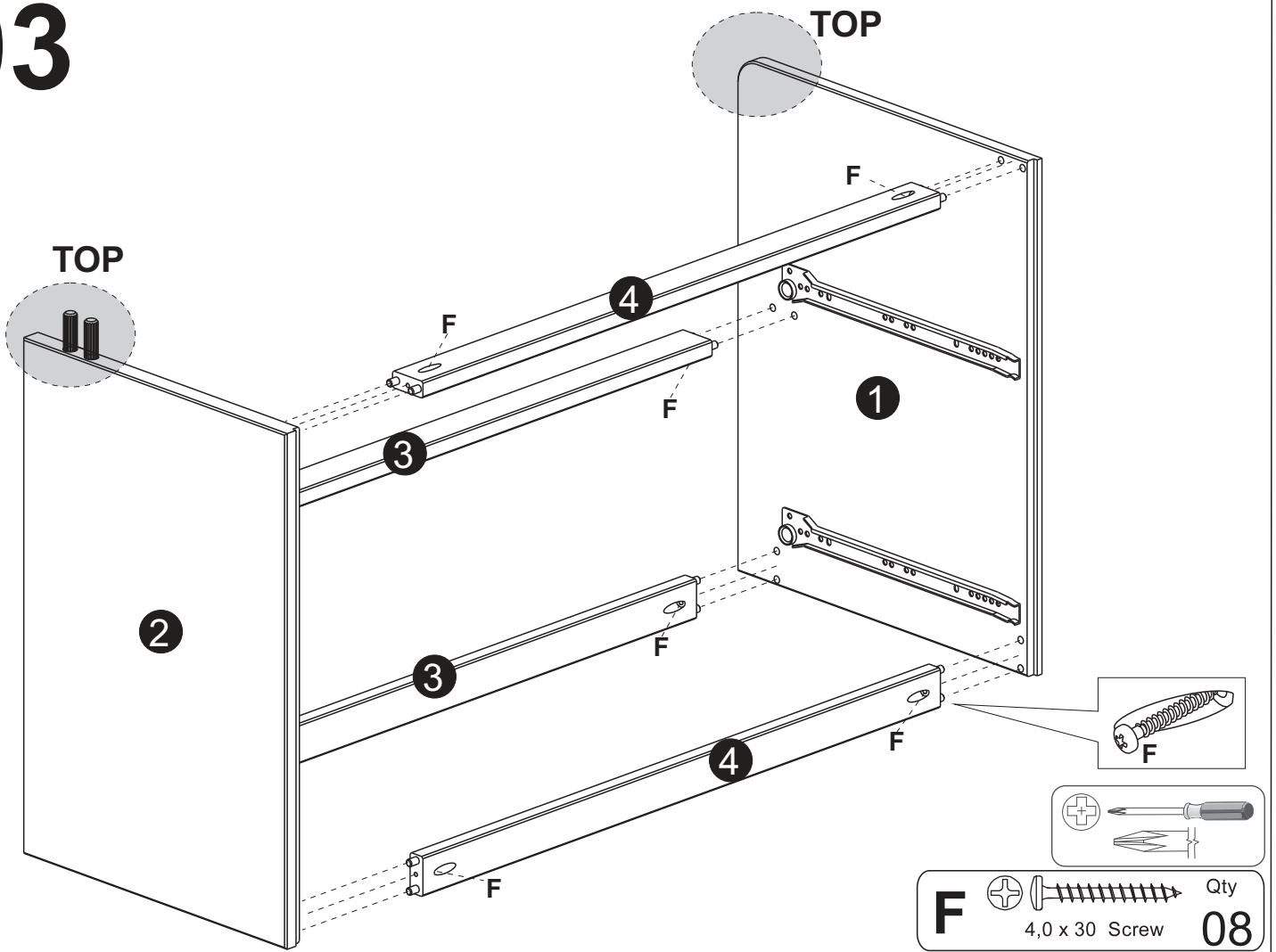


6,0 x 10 Screw

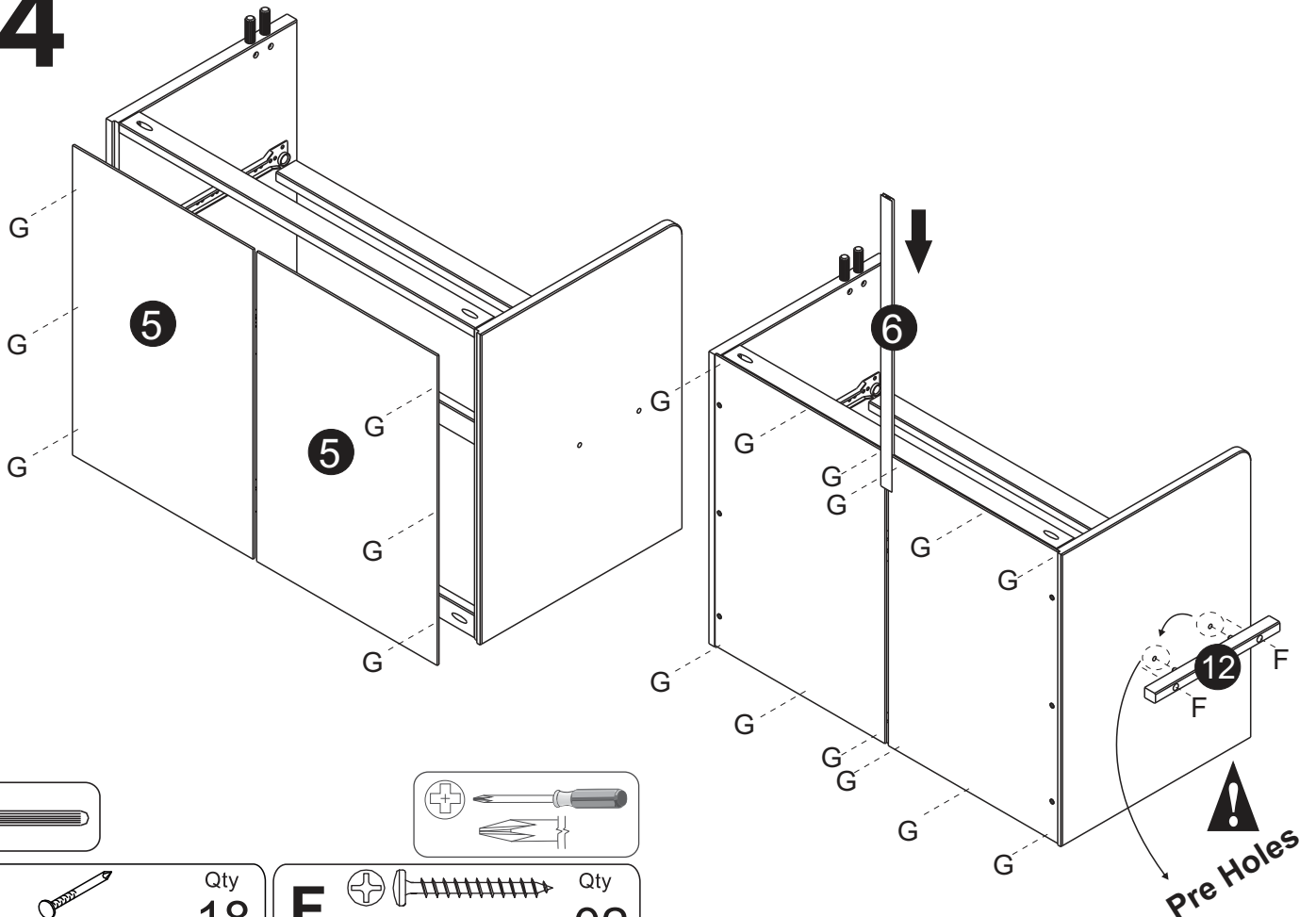
Qty  
**08**



# 03

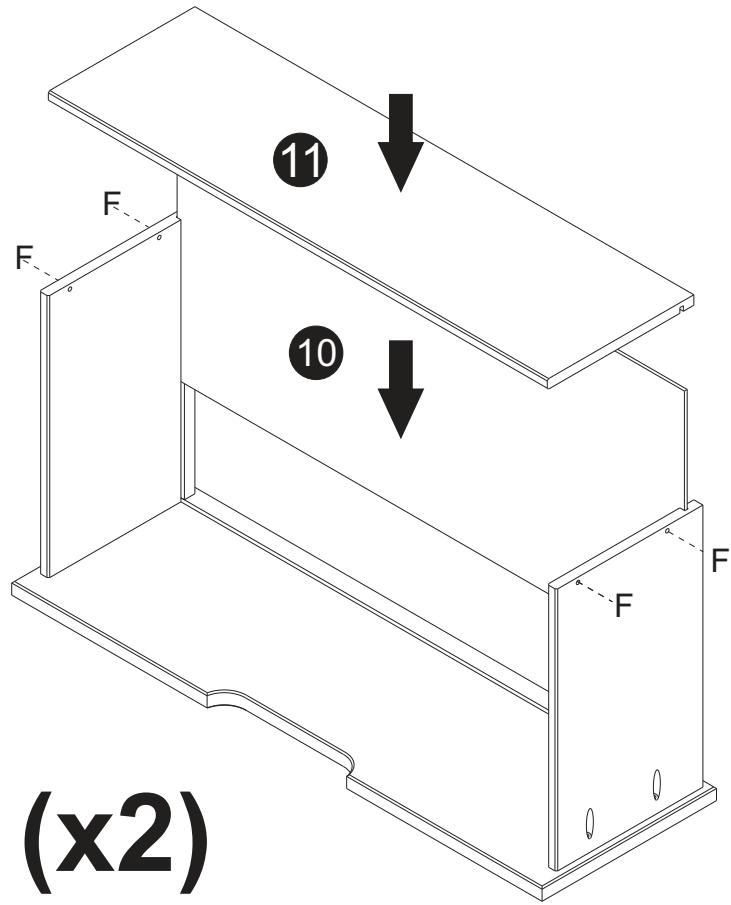
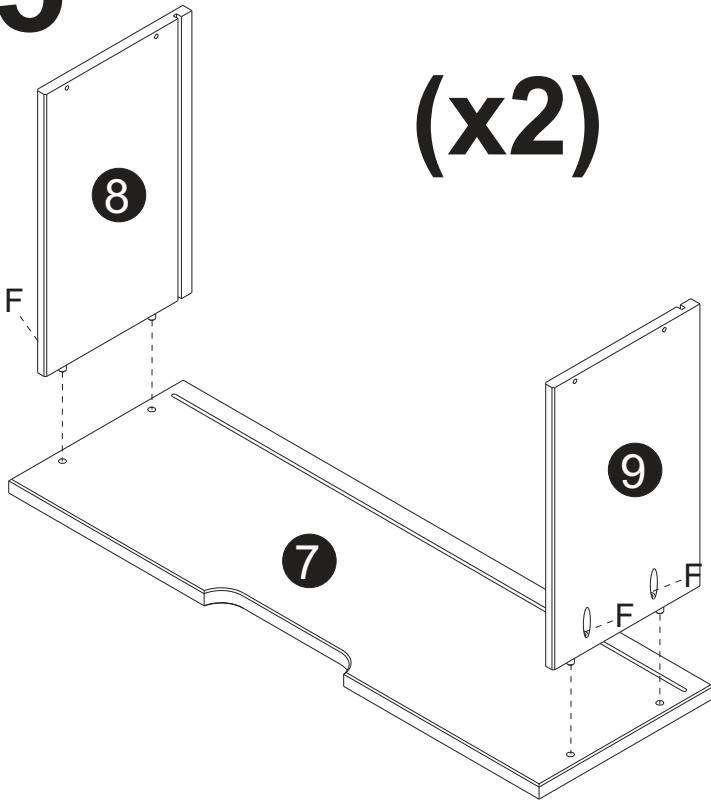


# 04

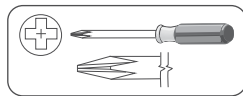
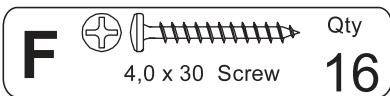


# 05

## (x2)

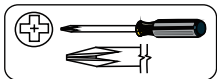
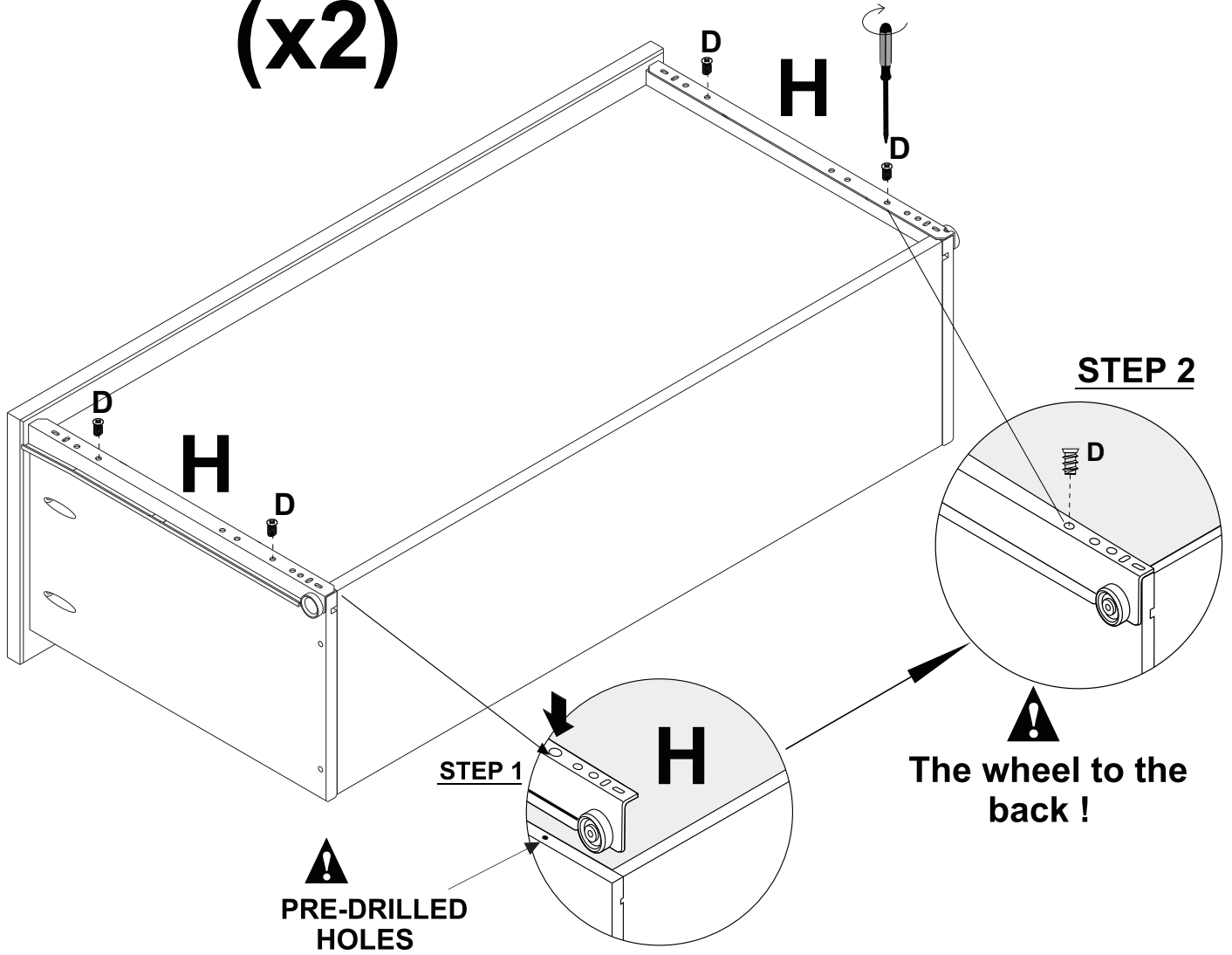


## (x2)



# 06

## (x2)

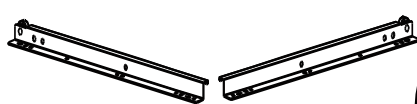


**D**

6,0 x 10 Screw

Qty  
**08**

**H**

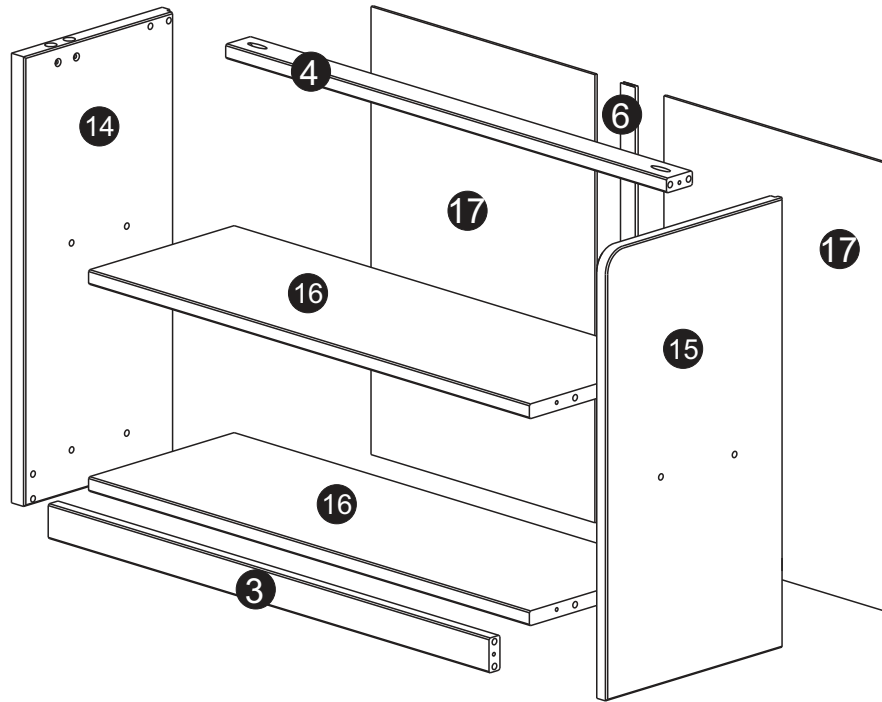


Qty

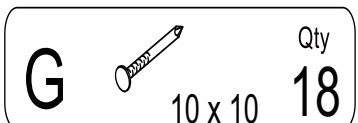
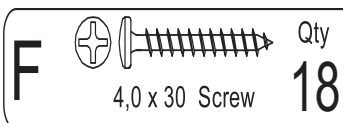
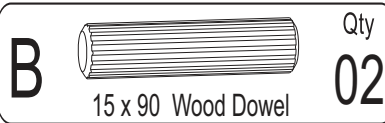
**Drawer Runner 350mm**

**02**

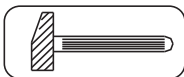
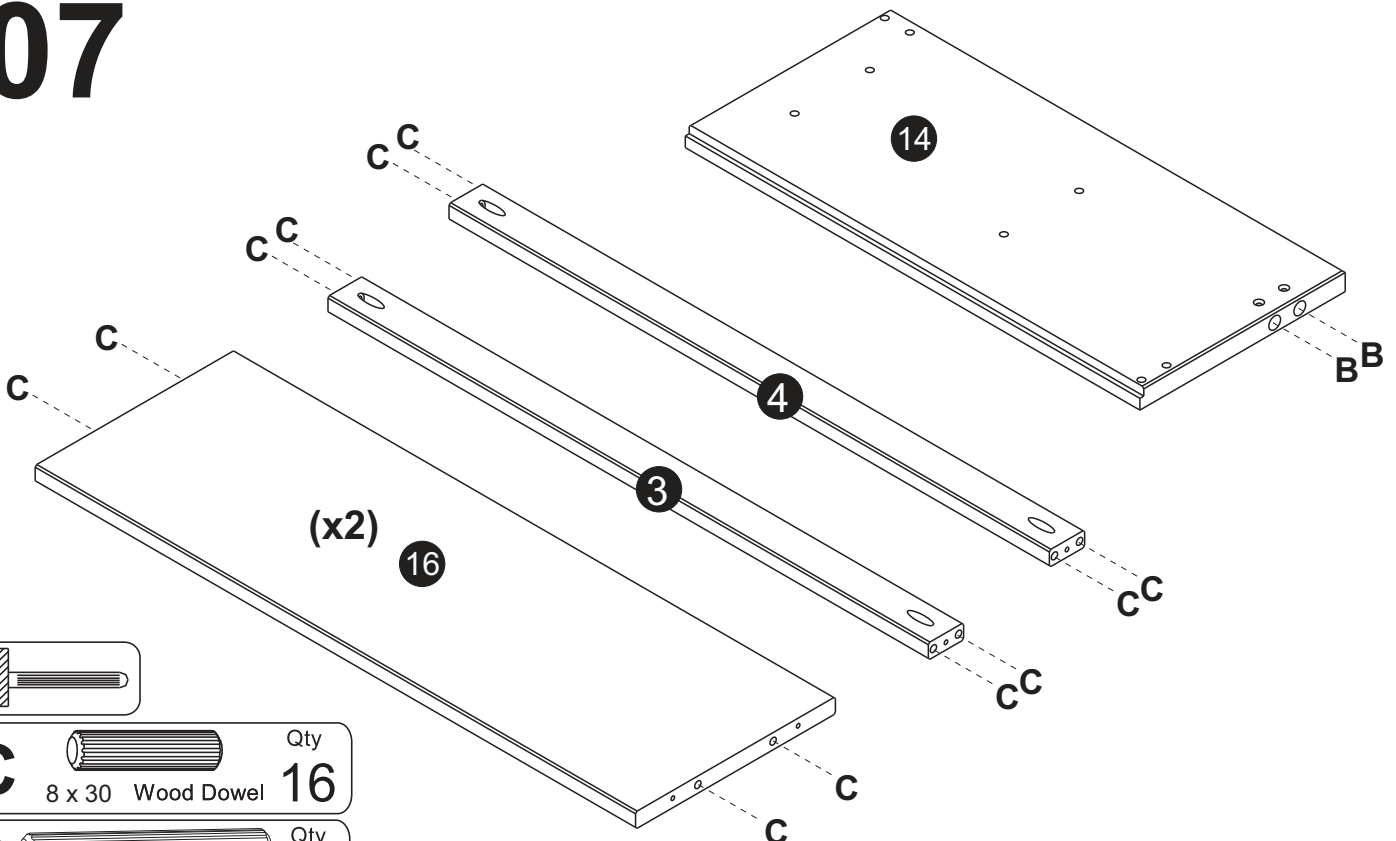
# Part List - 2027 - BOOKCASE LOW LOFT



**Identifying the Hardware**-Identify the hardware using the illustrations below.

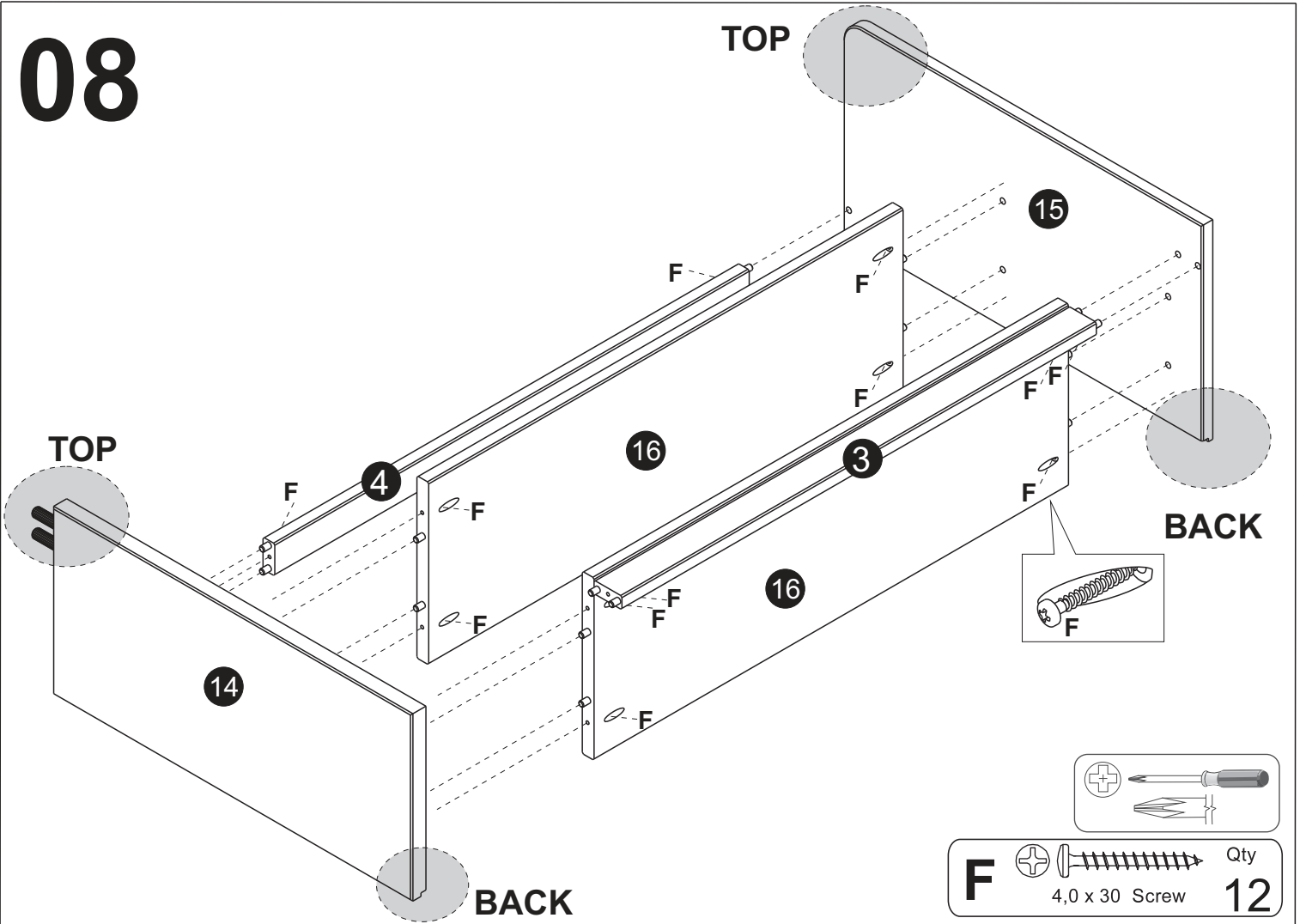


## 07

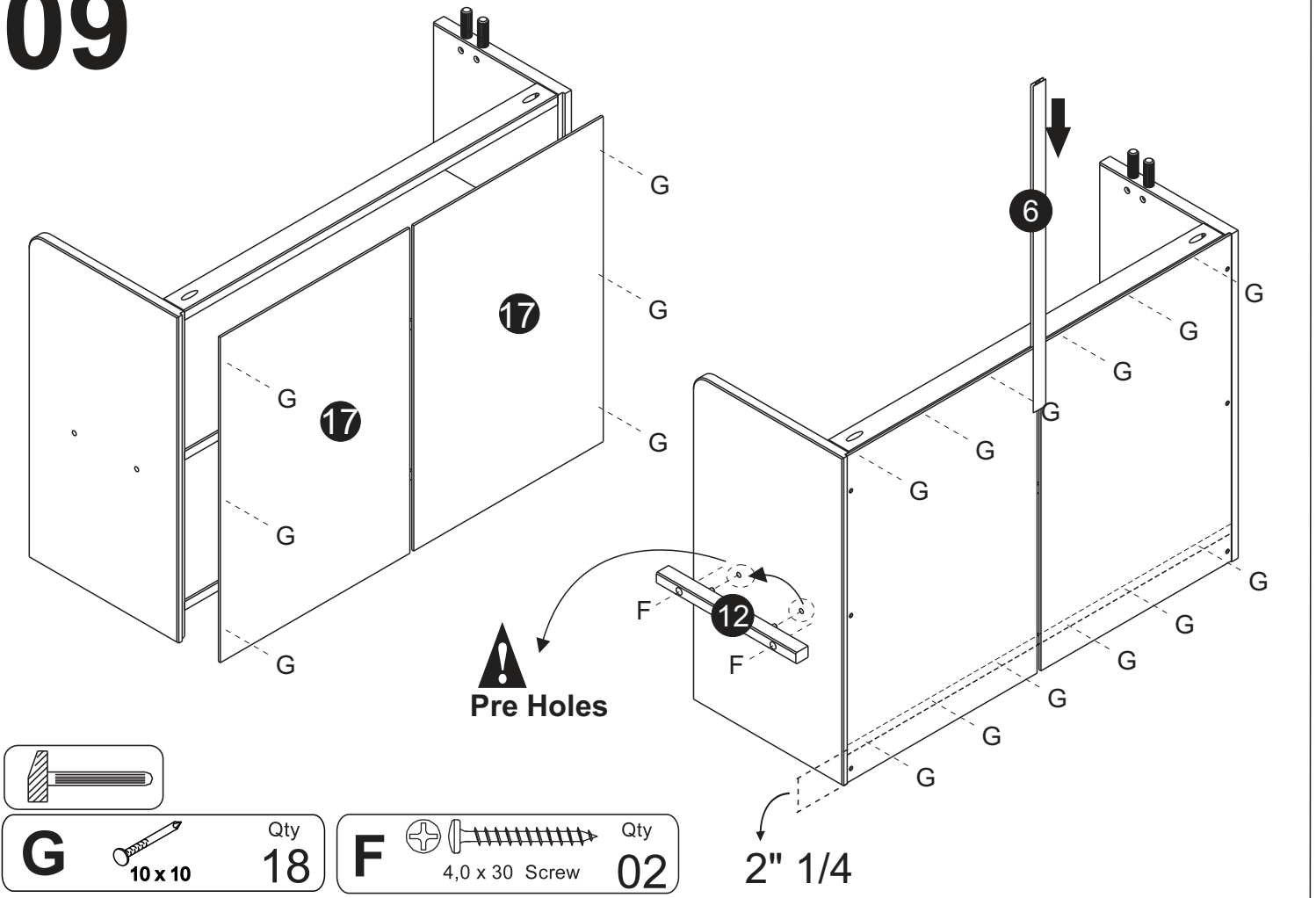




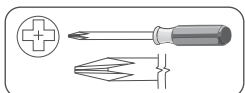
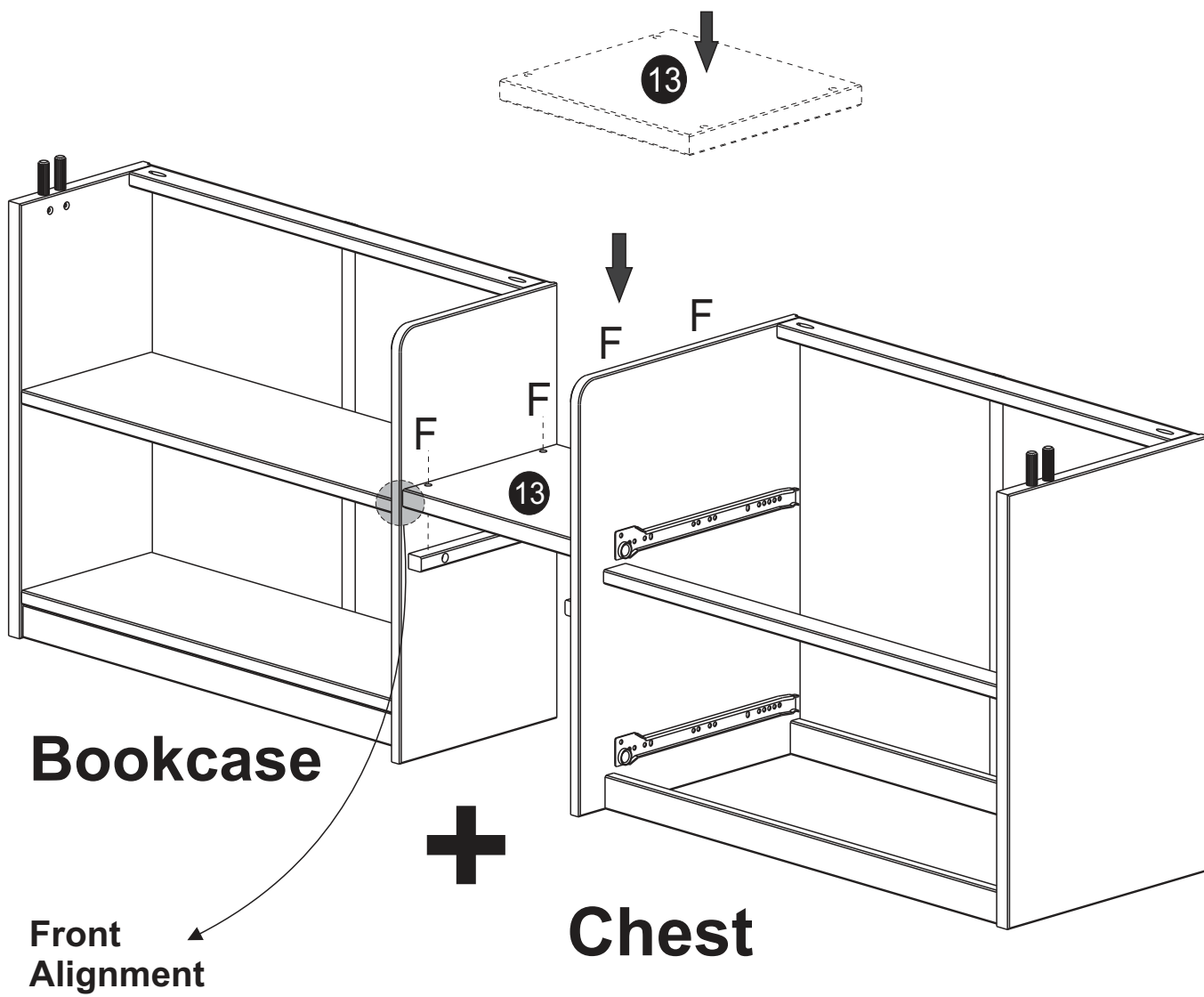
# 08



# 09



# 10

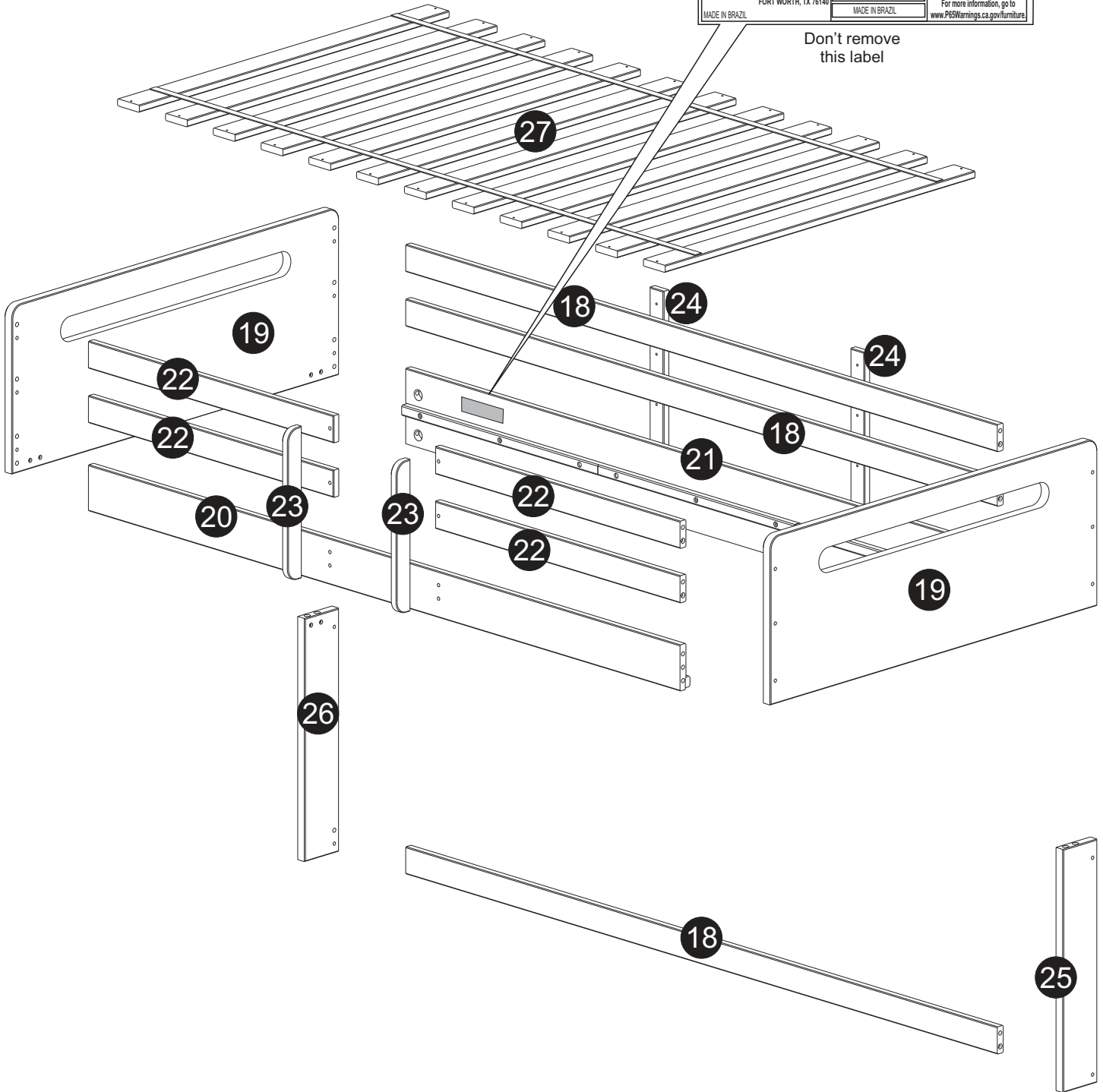


**F**  Qty  
4,0 x 30 Screw **04**

# Part List - 2027 - TWIN LOW LOFT BED

PRODUCT: TWIN LOW LOFT BED	DONCO TRADING CO.	<b>WARNING</b> California Proposition 65
MODEL #: 2027	CALIFORNIA 93120.161 COMPLIANT FOR FORMALDEHYDE PHASE 2	This product can expose you to chemicals, including formaldehyde which is known to the State of California to cause cancer. For more information, go to <a href="http://www.P65Warnings.ca.gov/furniture">www.P65Warnings.ca.gov/furniture</a>
MFG CODE #: 342	PO #: 39 M	
PO #: 39 M	MFG DATE: OCTOBER / 2018	
MFG DATE: OCTOBER / 2018	DISTRIBUTED BY: DONCO TRADING CO. FORT WORTH, TX 76140	FOR RESIDENTIAL USE ONLY NOT FOR COMMERCIAL USE
DISTRIBUTED BY: DONCO TRADING CO. FORT WORTH, TX 76140	MADE IN BRAZIL	MADE IN BRAZIL

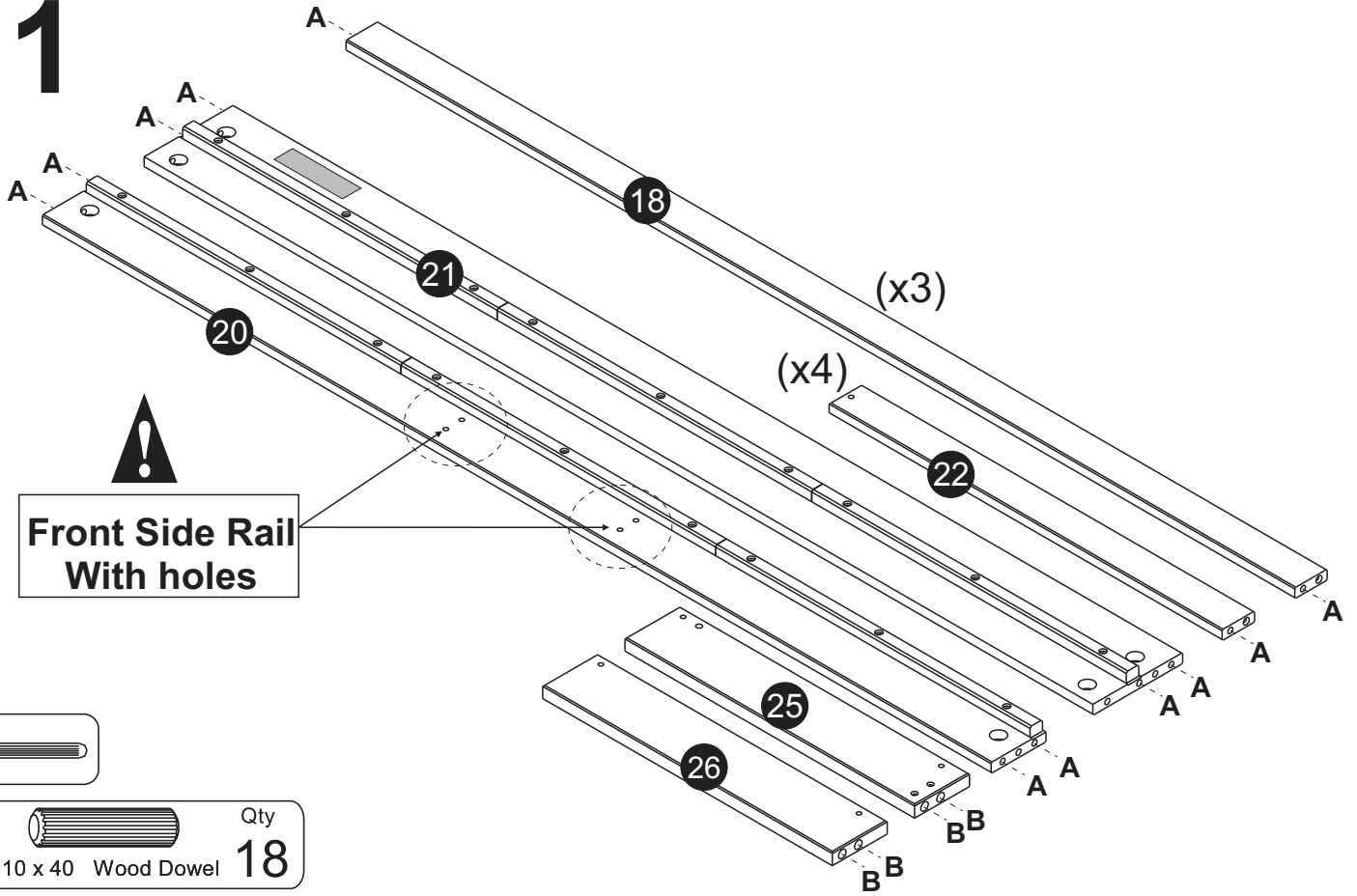
Don't remove this label



## Identifying the Hardware-Identify the hardware using the illustrations below.

<b>A</b> 10 x 40 Wood Dowel Qty 18	<b>B</b> 15 x 90 Wood Dowel Qty 04	<b>F</b> 4,0 x 30 Screw Qty 34	<b>I</b> Hex Screwdriver Qty 01	<b>J</b> 7 x 70 Screw Qty 10
<b>K</b> 1/4 x 70 Screw Qty 06	<b>L</b> 1/4 Half Moon Qty 06	<b>M</b> 7,0 x 50 Screw Qty 08	<b>N</b> 4,0 x 20 Screw Qty 16	
<b>O</b> 3,5 x 16 Screw Qty 08	<b>P</b> L-shaped Corner Qty 04			


# 11



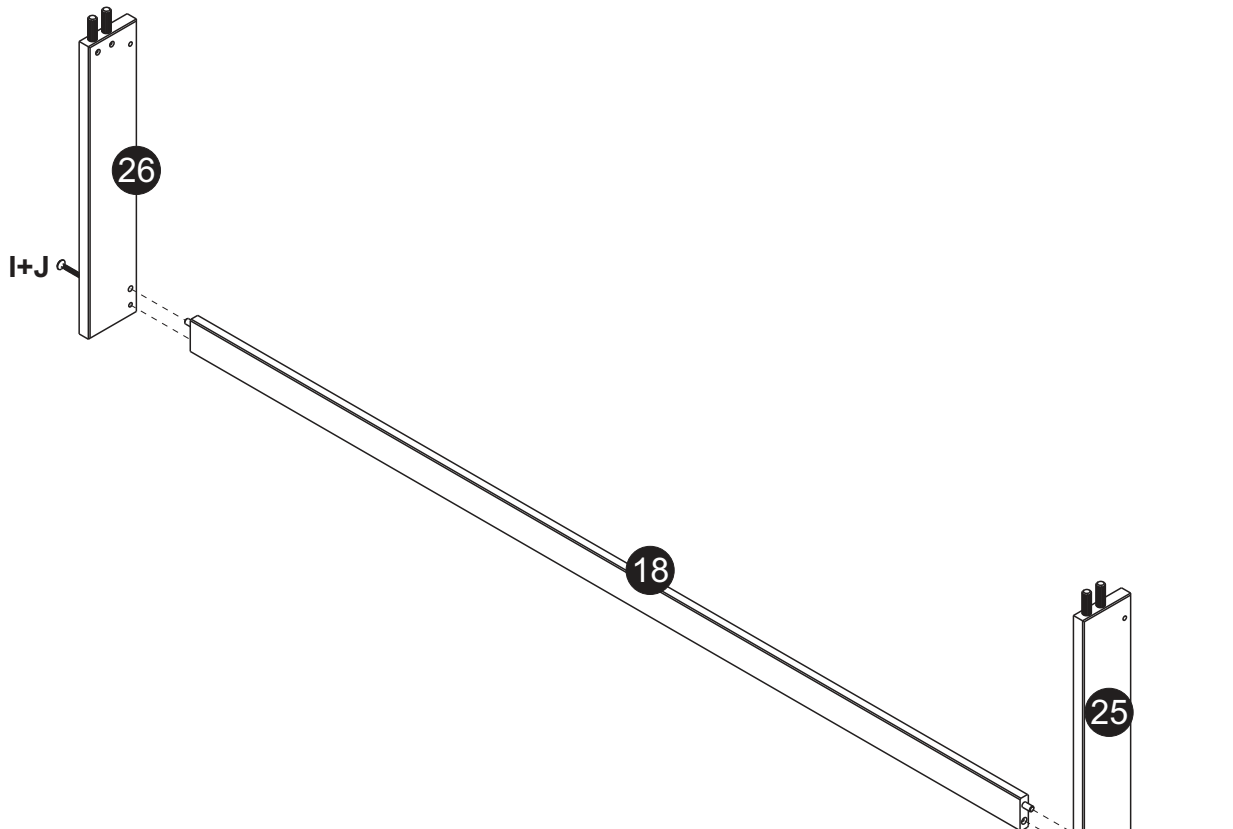
**Front Side Rail  
With holes**



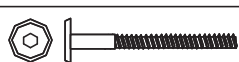
**A**  Qty **18**  
10 x 40 Wood Dowel

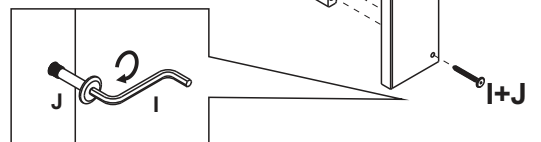
**B**  Qty **04**  
15 x 90 Wood Dowel

# 12

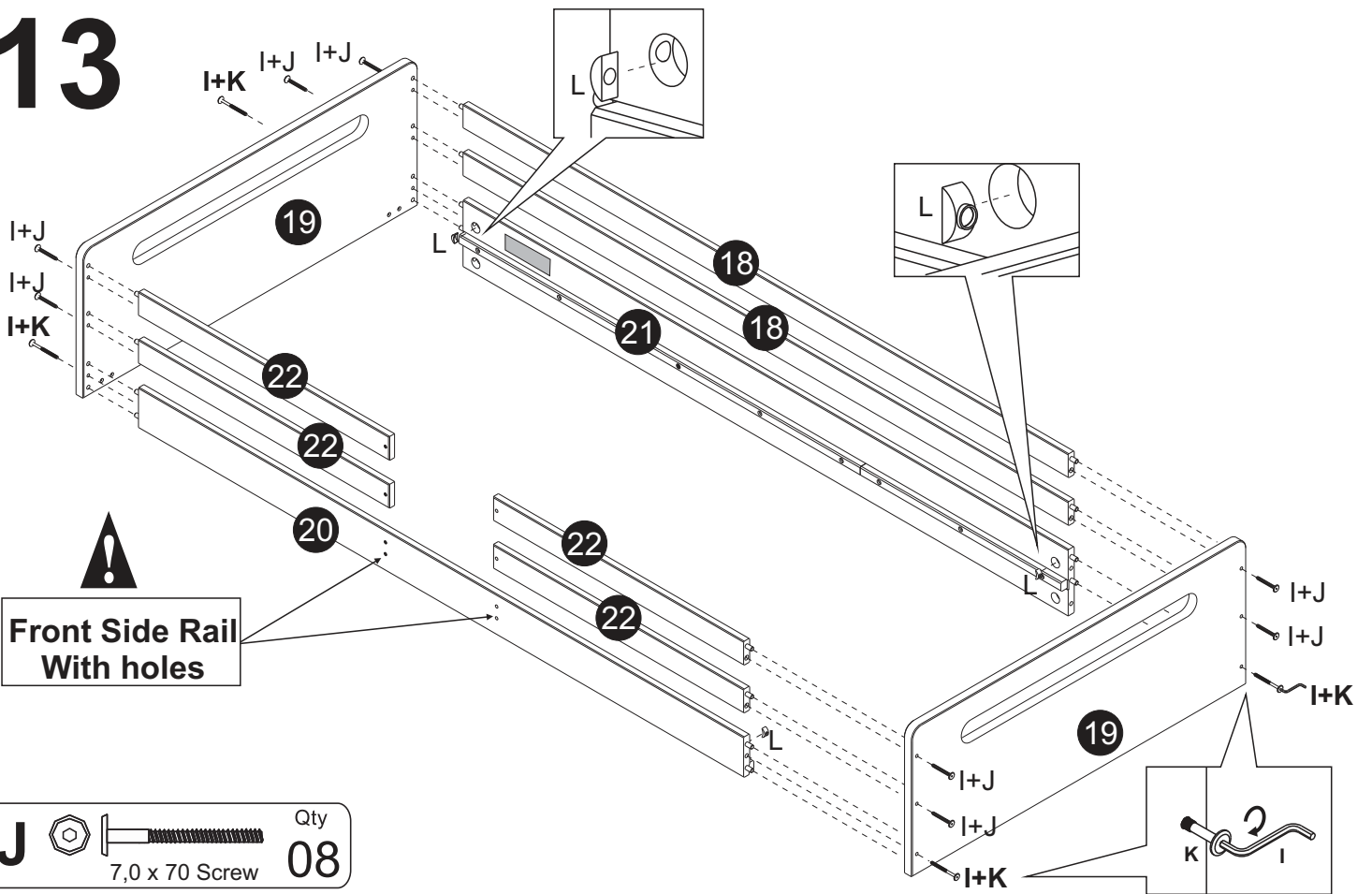


**I**  Qty **01**  
Hex Screwdriver


**J**  Qty **02**  
7,0 x 70 Screw

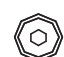


# 13



**Front Side Rail  
With holes**

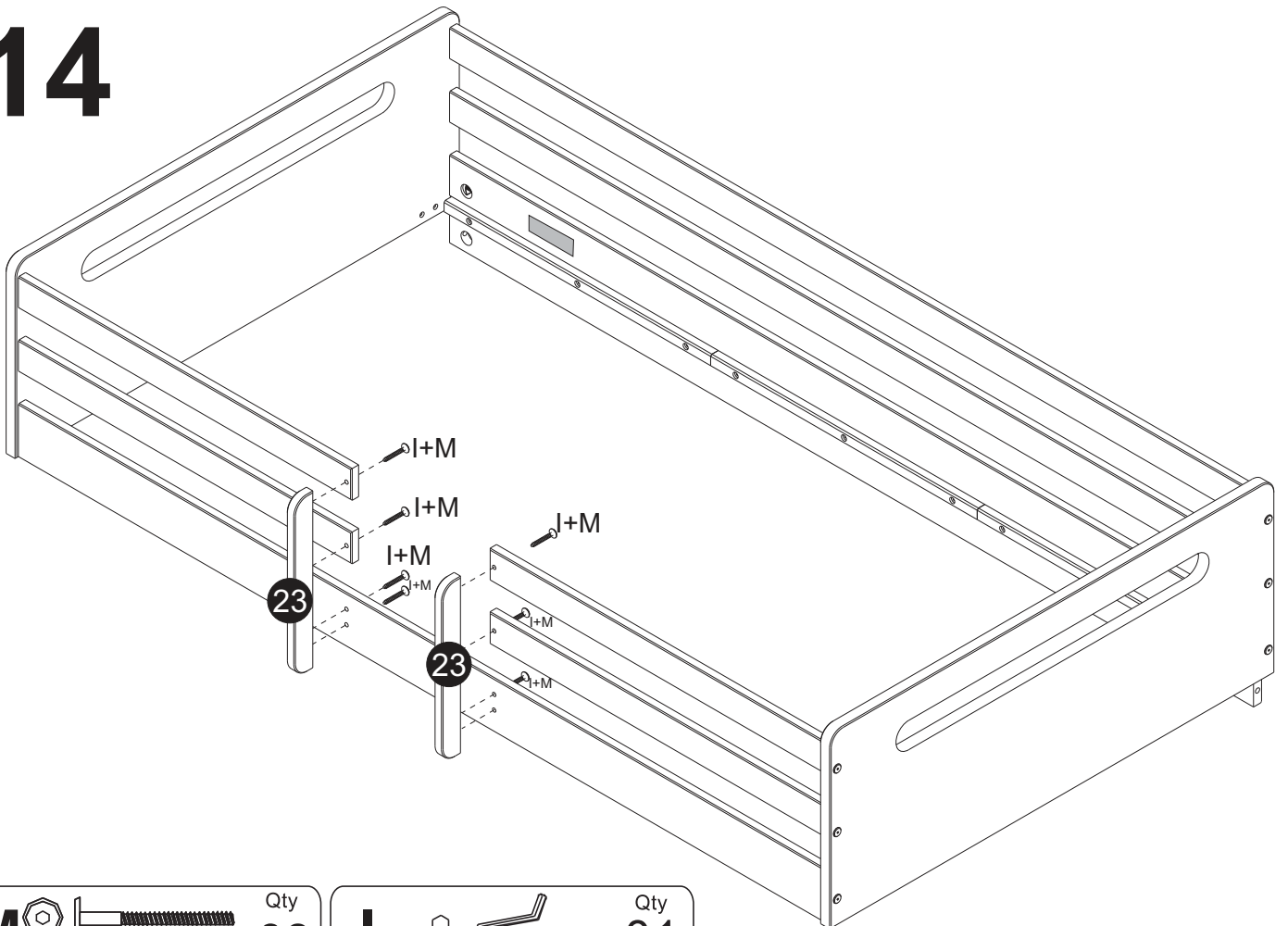
**J**  Qty  
7,0 x 70 Screw **08**

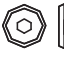
**K**  Qty  
1/4 x 70 Screw **04**

**L**  1/4"  
Half Moon Qty **04**

**I**  Qty  
Hex Screwdriver **01**

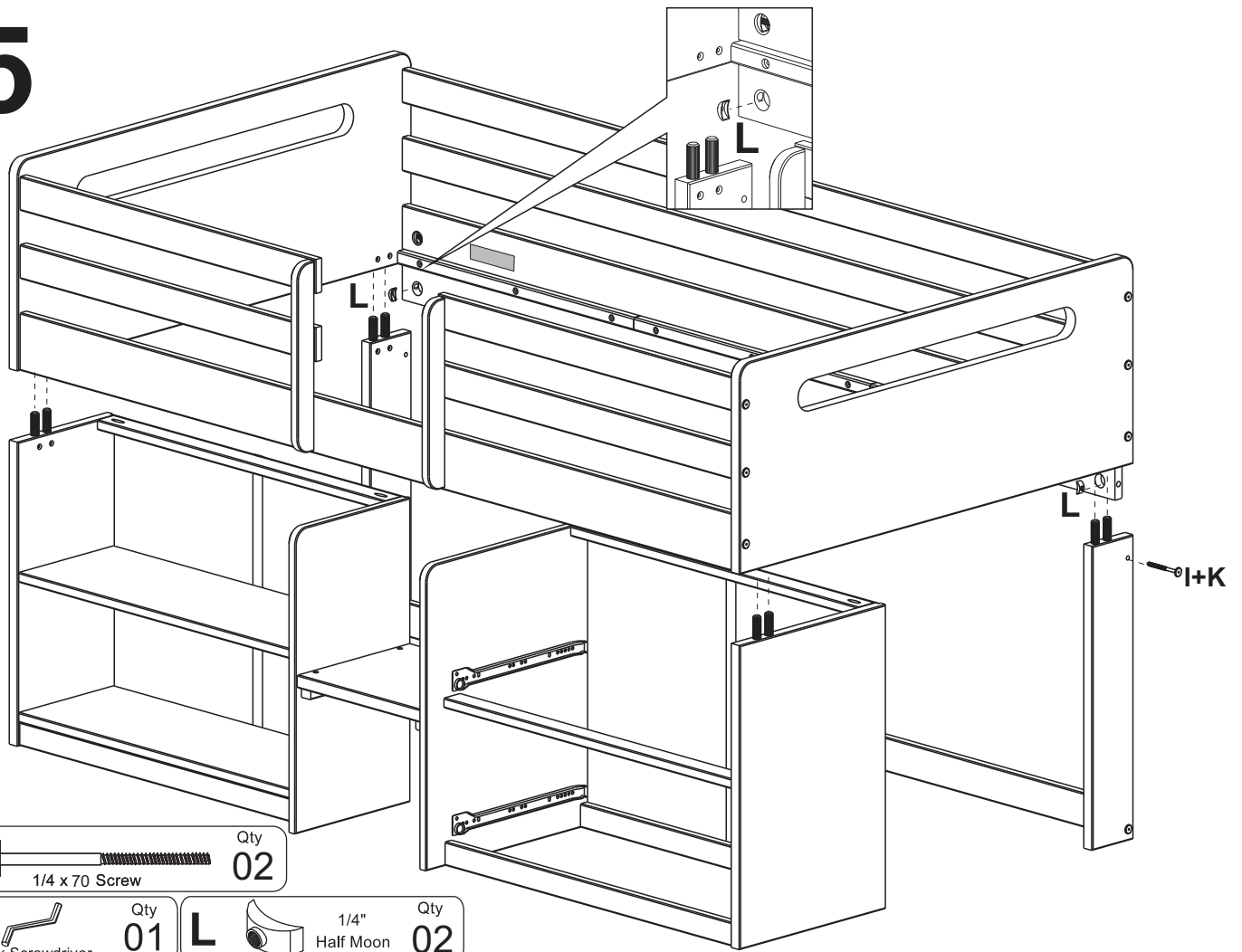
# 14




**M**  Qty  
7,0 x 50 Screw **08**

**I**  Qty  
Hex Screwdriver **01**

# 15

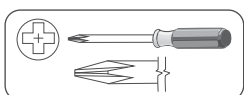
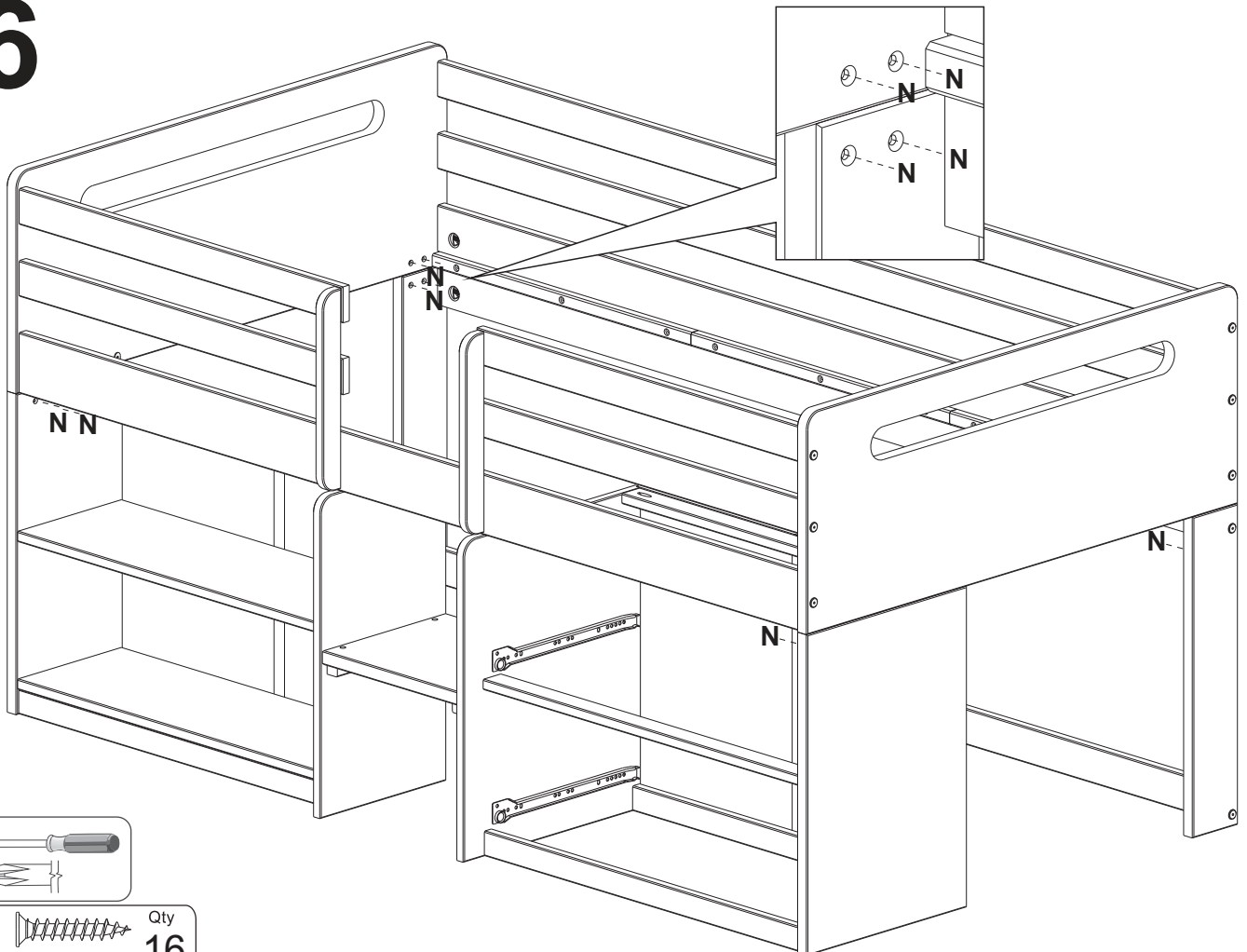


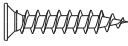
**K**  Qty **02**  
1/4 x 70 Screw

**I**  Qty **01**  
Hex Screwdriver

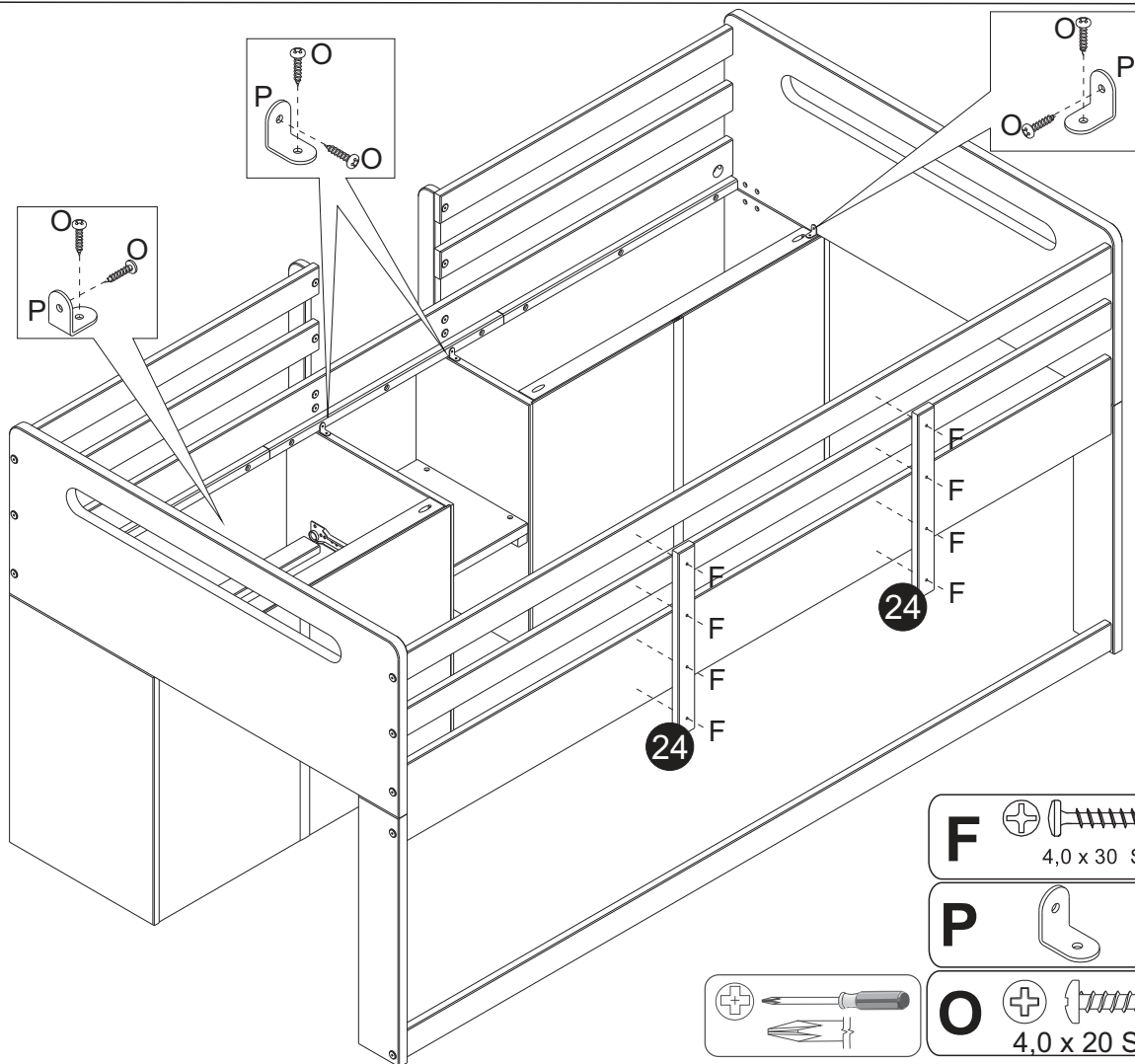
**L**  Half Moon Qty **02**  
1/4\"

# 16

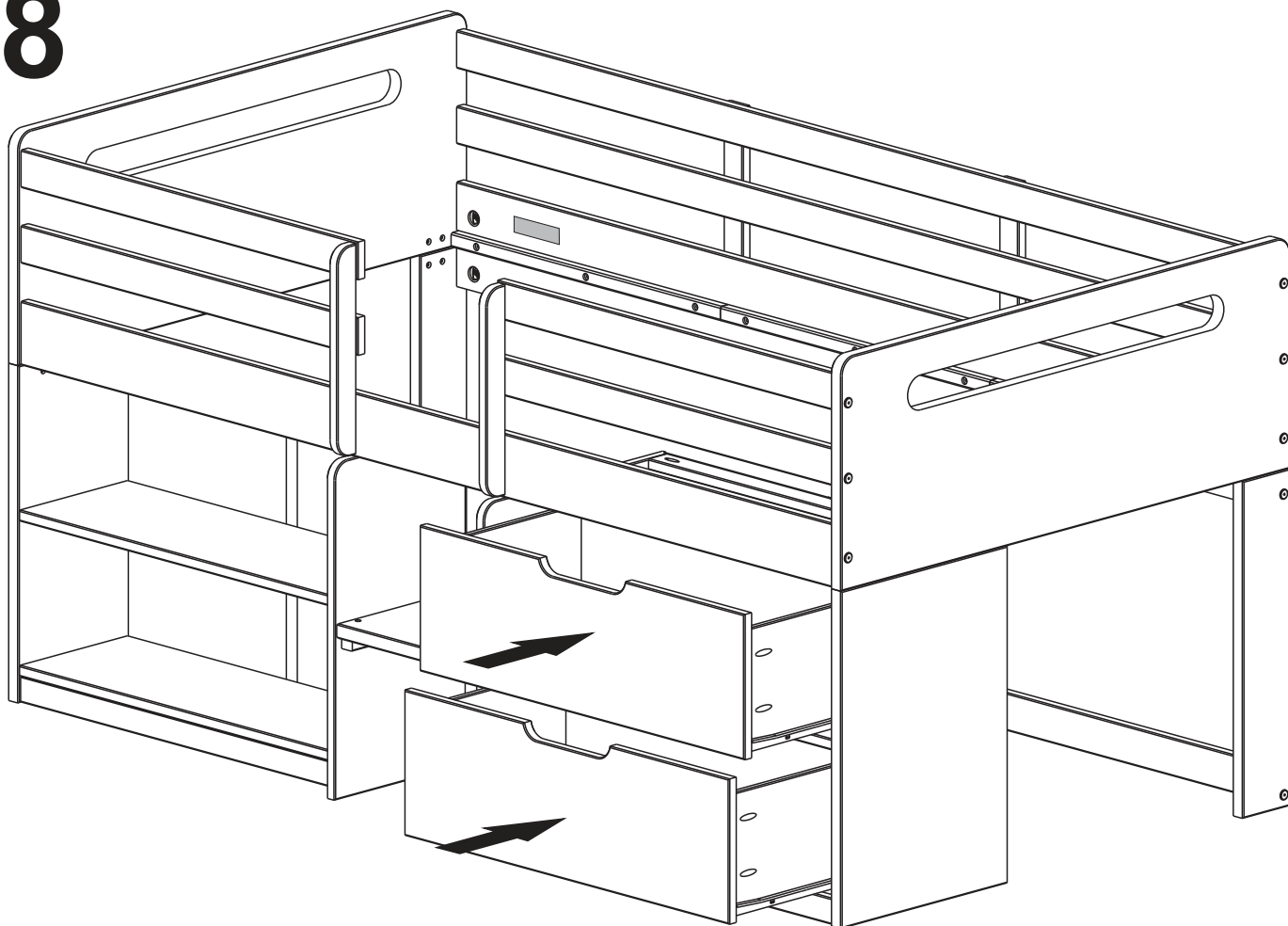


**N**  Qty **16**  
4.0 x 20 Screw

# 17



# 18

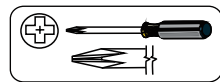
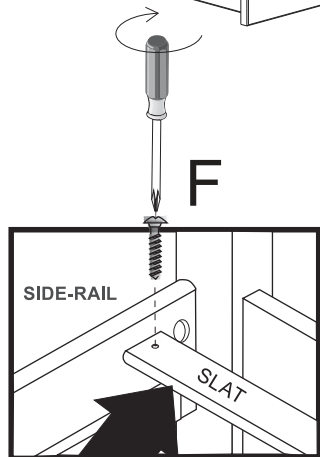
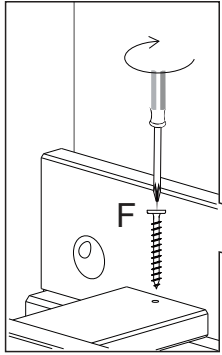
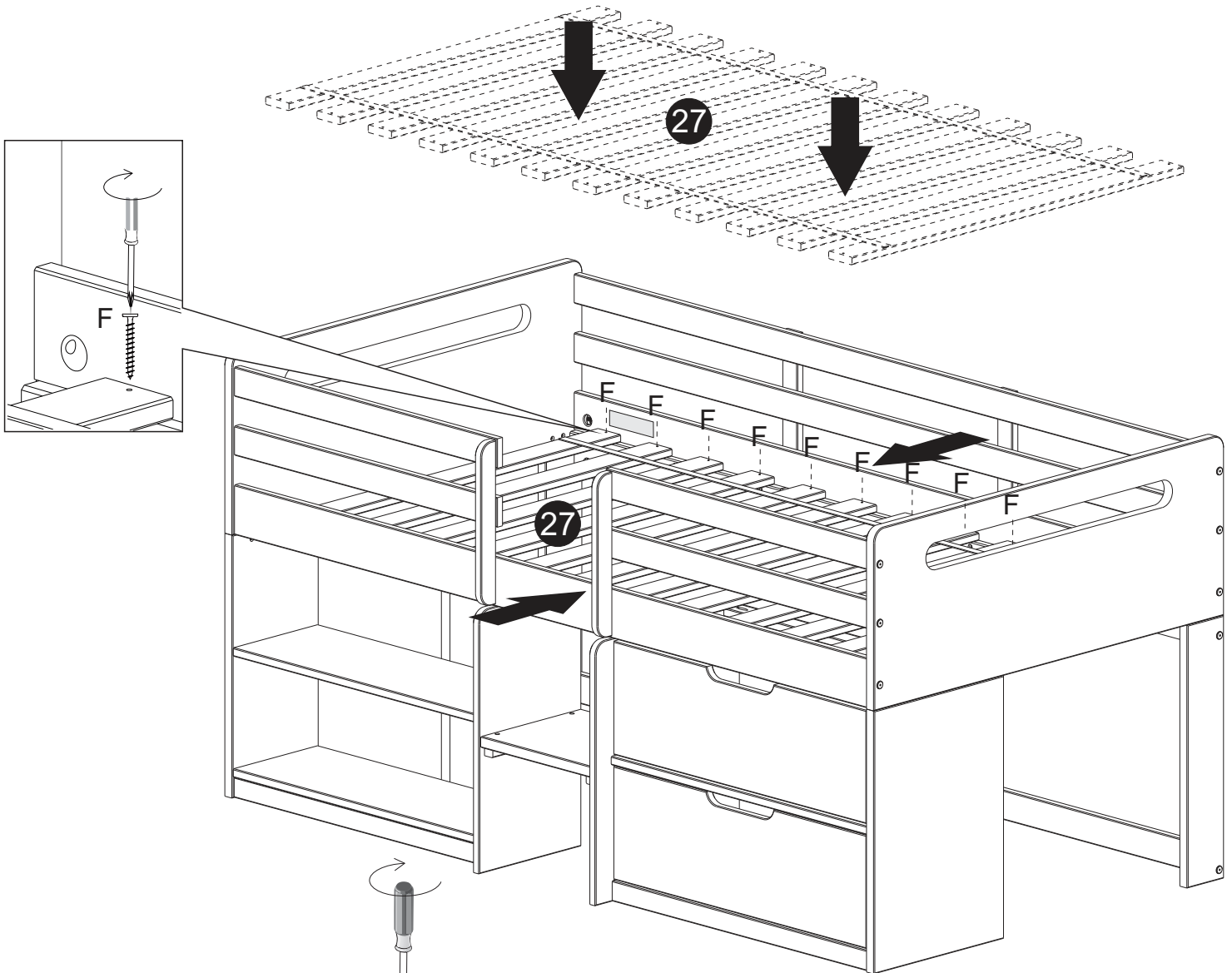





# 19

There must be at least 5" inches from top surface of mattress to top edge or guardrails.

“MATTRESS 7" HIGH LIMITED”



**F**  Qty 24  
4,0 x 30 Screw

**!**  
The first slats must be fixed at 3" from each headboard end.

**!**  
“INSTALL SLAT KIT WITH SPACER TAPE ON TOP (FACING UP)”

**IMPORTANT NOTE:**  
Please note warpage may occur because it is natural wood. To facilitate the placement of the screws, you must press the two siderails simultaneously, as shown by the arrows.

