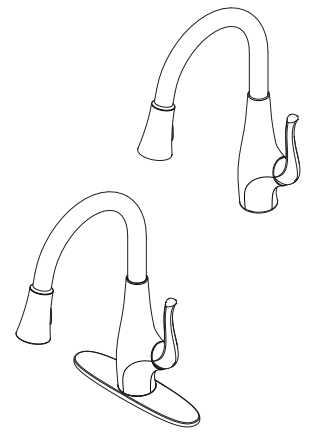


Clarify™ Pull-Down Filtration Kitchen Faucet

F529-FCYS Finish(S)



- Xtract™ Filter Mode
- GE 2X High Flow Filtration System
- AccuDock Spray Head Docking
- 1 or 3-Hole Installation

Specifications

Features

- 1.8 GPM Flow Rate
- 1.0 GPM Filtered Flow Rate
- GE 2X High Flow Filtration System
- Xtract™ Filter Mode
- 1 or 3-Hole Installation; Deck Plate or Single Hole Mounting Option
- 2 Function Pull-Down Sprayer
- AccuDock Spray Head Docking
- 360° Rotating Spout
- Flex-Line Supply Lines
- Mounting Hardware Included
- High Arc Spout
- PVD Finish
- EZ Clean™
- TiteSeal™ Deck Plate
- Quick Install Tool
- Pfast Connect
- Pforever Seal Ceramic Disc Valve
- Pforever Warranty®

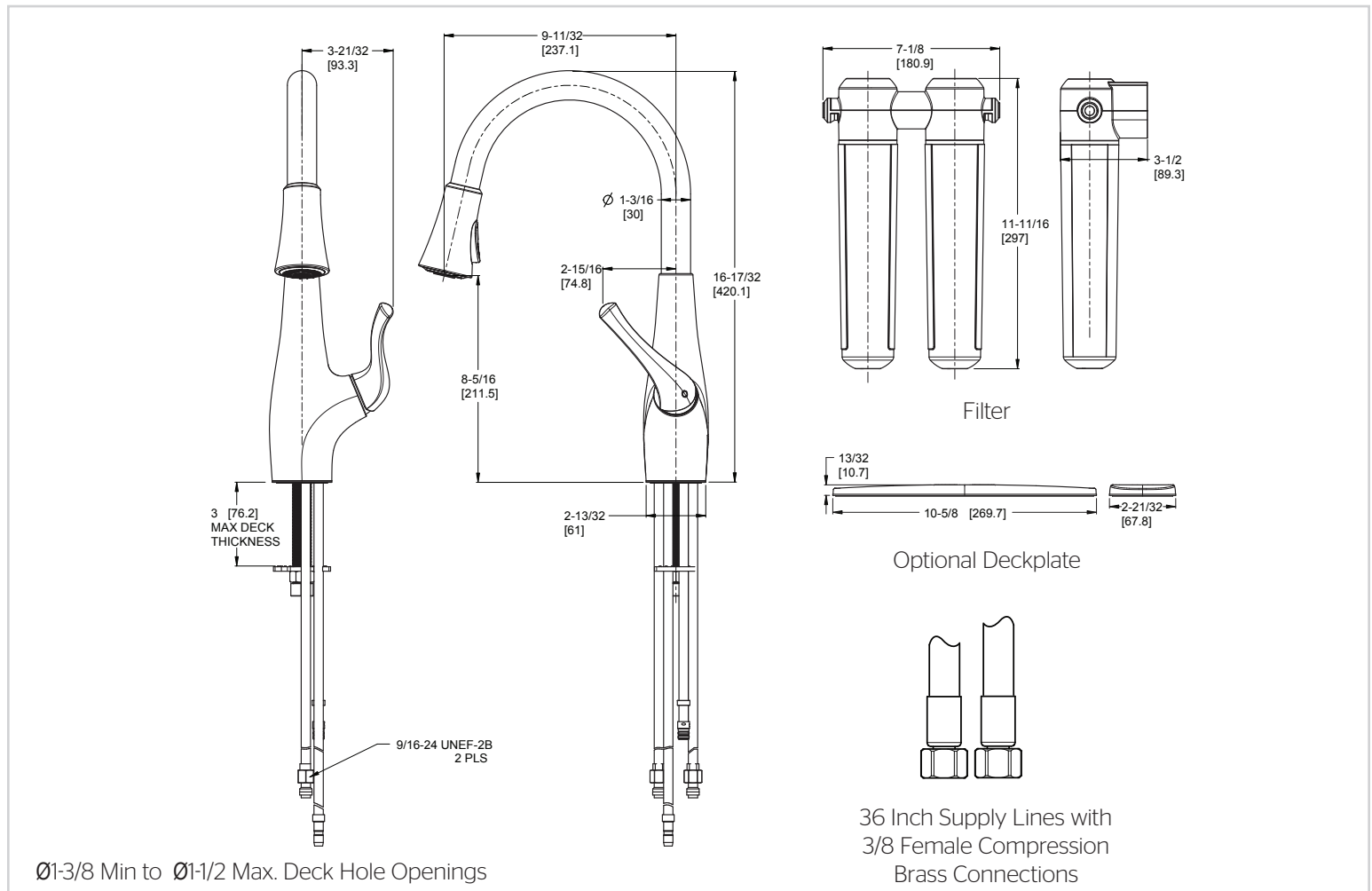
Code Compliance

Pfister products are designed and manufactured in compliance with the following standards and codes:

- IAPMO Certified
- CSA B125 Certified
- ASME A112.18.1
- NSF 61/9 Annex G (Low lead)
- Cal Green Compliant
- ADA Compliant-ANSI A117.1 (Lever handles only)



Dimensions





Performance Data Sheet

Filtration System GXK295JNN using filter FQK2J

- This System has been tested according to NSF/ANSI 42, 53, and 401 for the reduction of the substances listed below. The concentration of the indicated substances in water entering the system was reduced to a concentration less than or equal to the permissible limit for water leaving the system, as specified in NSF/ANSI 42, 53, and 401.
- Actual performance may vary with local water conditions.
- Product certified by NSF International which requires retesting of the product every five years for materials safety, structural integrity, and performance claims.

▲WARNING: Do not use with water that is microbiologically unsafe or with water of unknown quality without adequate disinfection before or after the system.

Substance	Influent challenge concentration	Reduction Requirement	Maximum permissible product water concentration	Average % Reduction	NSF Test Report
Chlorine Taste and Odor	2.0 mg/L ± 10%	≥ 50%	N/A	97.2%	J-00171541
Particulate Class I particles 0.5 to <1.0 µm	At least 10,000 particles/mL	≥85%	N/A	93.3%	J-00175870
Atrazine	0.009 mg/L ± 10%	N/A	0.003 mg/L	94.5%	J-00171550
Toxaphene	0.015 mg/L ± 10%	N/A	0.003 mg/L	>93.1%	J-00171561
Lindane	0.002 mg/L ± 10%	N/A	0.0002 mg/L	98.5%	J-00171554
Lead @ 6.5 pH	0.15 mg/L ± 10%	N/A	0.010 mg/L	>99.3%	J-00171568
Lead @ 8.5 pH	0.15 mg/L ± 10%	N/A	0.010 mg/L	98.7%	J-00178805
Mercury @ pH 6.5	0.006 mg/L ± 10%	N/A	0.002 mg/L	96.2%	J-00171575
Mercury @ pH 8.5	0.006 mg/L ± 10%	N/A	0.002 mg/L	81.5%	J-00171577
Atenolol	200 ± 20% ng/L	N/A	30 ng/L	>95.0%	J-00171578
Carbamazepine	1400 ± 20% ng/L	N/A	200 ng/L	93.1%	J-00171578
Trimethoprim	140 ± 20% ng/L	N/A	20 ng/L	>96.5%	J-00171578
Linuron	140 ± 20% ng/L	N/A	20 ng/L	>96.3%	J-00171578
Estrone	140 ± 20% ng/L	N/A	20 ng/L	95.0%	J-00171580
Bisphenol A	2000 ± 20% ng/L	N/A	300 ng/L	94.8%	J-00171580
Nonyl phenol	1400 ± 20% ng/L	N/A	200 ng/L	95.3%	J-00171580

Tested using a flow rate of 1.1 gpm (4.16 l/min); pressure of 60 psig; pH of 7.5 ± 0.5; temp. of 68° ± 5°F (20° ± 3°C)

Operating Specifications

Capacity: certified for up to 300 gallons (1136 liters)
 Pressure requirement: 35–125 psi (2.4–8.6 bar)
 Temperature: 33–100°F (0.6–38°C)
 Flow rate: 1.0 gpm (3.79 l/min)
 Turbidity: < 1 NTU

Testing was performed under standard laboratory conditions; actual performance may vary.

NOTE: Substances reduced are not necessarily in your water. Filter must be maintained according to manufacturer’s instructions, including replacement of filter cartridges.

Replacement Filter Canisters/Estimated Replacement Costs

FQK2J—Replacement filter canister \$45-55

Replace filter every 300 gallons (1136 liters) or 6 months whichever occurs first.

GE Filtration System Warranty

One-Year Limited Warranty.

For additional warranty information and replacement parts, visit pfisterfaucets.com/support or call 1-800-PFAUCET (732-8238)