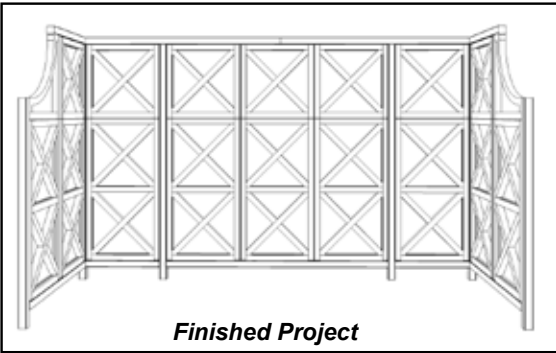


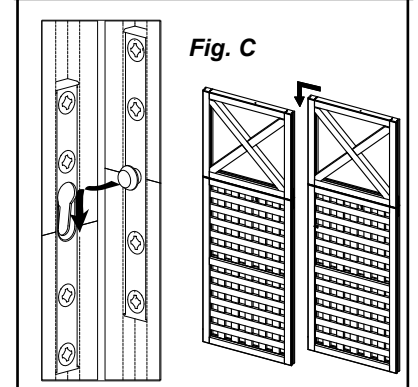
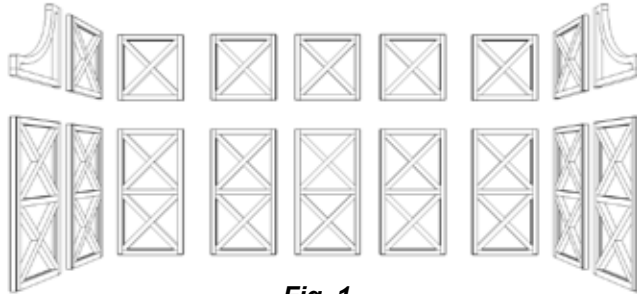
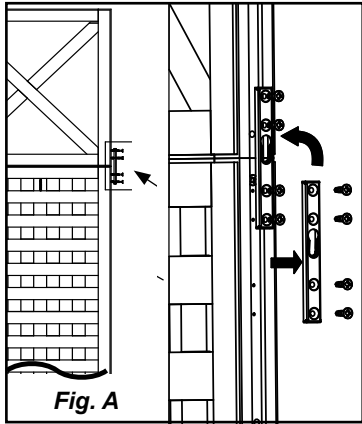
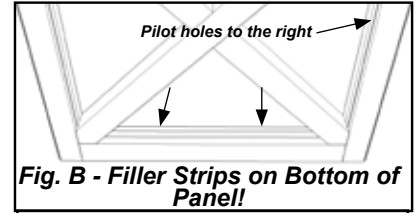
# YARDISTRY STRUCTURES- COLLECTION SERIES CS009



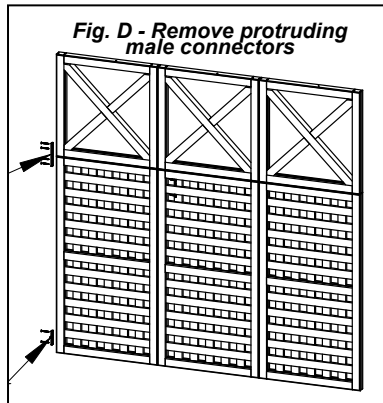
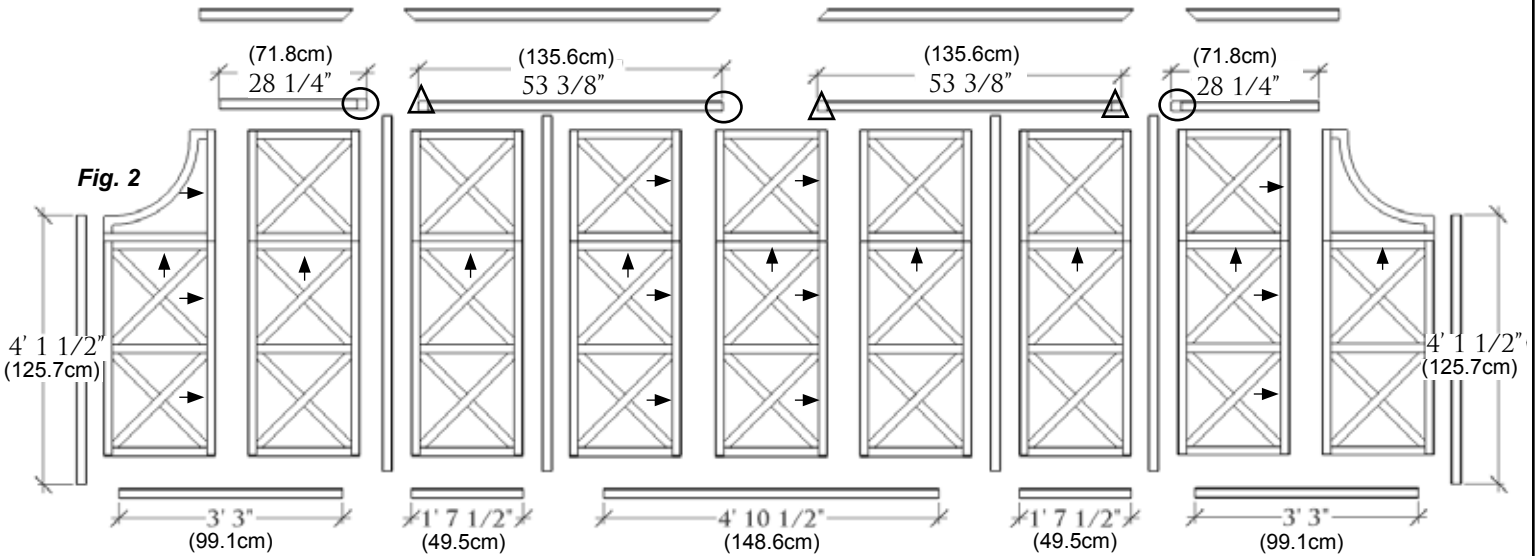
1. Assemble panels in configuration shown. (Fig.1) Remove upper metal connectors on both sides of the 2 high panels, slide the connectors up and reattach to join top and bottom panels. Use factory drilled holes on original panel (Fig A.)

**\*Ensure Panels are oriented correctly! (Fig. B)**

2. Insert male connector into female. Slide down until flush with adjacent panel as shown. (Fig. C)



Top View - Note: Circles and Triangles indicate a 45° cut.

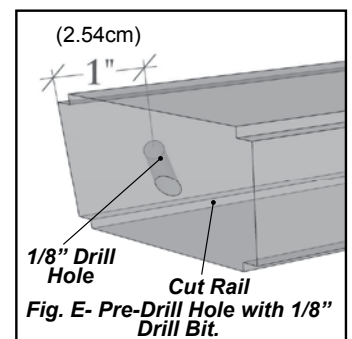


3. Secure Panels with 2 1/4" screws provided in pre-drilled holes as indicated by arrows. (Fig.2)

4. Remove protruding male connectors to ensure flush connection with 2x2 posts in later steps. (Fig. D)

5. Cut Posts and Rails to size indicated. (Fig. 2) Circles and Triangles indicate a 45° cut. (Use a Mitre Box or Mitre Saw)

6. Where indicated by a triangle, use a 1/8" drill bit to pre-drill a hole into the 2x2 Rail. (Fig.E)



7 x One High X Topper | 9 x Two High X Topper | 2 x Arch Topper

12x -2"x2"x62" Post/Rail

