

# HOME DECORATORS COLLECTION

BF-25190 WILLIAM 12-CUBE ORGANIZER 59"Hx41"Wx14"D

INV#27925



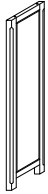
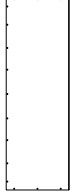

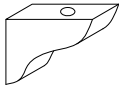
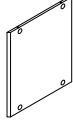
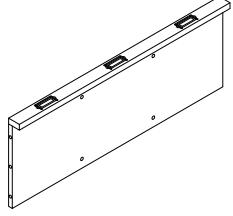
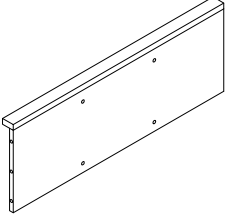
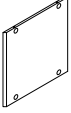
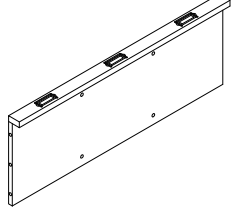
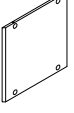
ASSEMBLY INSTRUCTIONS

Made In China

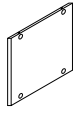


Thank you for purchasing this quality product. Be sure to check all packing material carefully for small parts, which may have come loose inside the carton during shipment. Count all parts and material hardware, then compare with parts list to be sure all parts are present. If any parts are missing or damaged, phone, fax, or mail to our Customer Service Department for efficient and speedy service. Please indicate the model number and code letter of part(s) needed.

**IMPORTANT NOTE:** Follow instructions listed below in proper sequence as numbered to assure fast, easy and correct assembly.

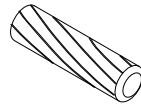
| <b>PARTS LIST</b>  |   |   |
|--|---|---|
| <b>A</b><br><br>TOP PANEL-1PC       | <b>B</b><br><br>LEFT SIDE PANEL-1PC  | <b>C</b><br><br>RIGHT SIDE PANEL-1PC |
| <b>D</b><br><br>BACK PANELS-2PCS  | <b>E</b><br><br>FRONT PANEL-1PC    | <b>F</b><br><br>PANELS-2PCS        |
| <b>G</b><br><br>STAND PANELS-2PCS | <b>H</b><br><br>ACROSS PANELS-2PCS | <b>I</b><br><br>BOTTOM PANEL-1PC   |
| <b>J</b><br><br>STAND PANELS-2PCS | <b>K</b><br><br>ACROSS PANEL-1PC   | <b>L</b><br><br>STAND PANELS-2PCS  |

**M**



STAND PANELS-2PCS

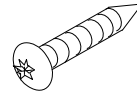
**N**



DOWELS-2PCS

**O**

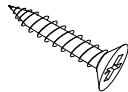
6mm × 1/2"



SCREWS-32PCS

**P**

7mm × 7/8"



SCREWS-4PCS

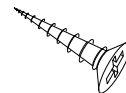
**Q**



CAM-TOOL-1PC

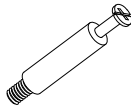
**R**

8mm × 1"



SCREWS-5PCS

**S**



CAM-BOLTS-62PCS

**T**



CAM-LOCKS-62PCS

**U**



CAM-LOCK CAPS-36PCS

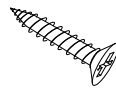
**V**



PLASTIC BELTS-2PCS

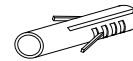
**W**

6mm × 3/4"



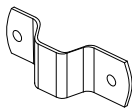
SCREWS-4PCS

**X**



GECKOS-4PCS

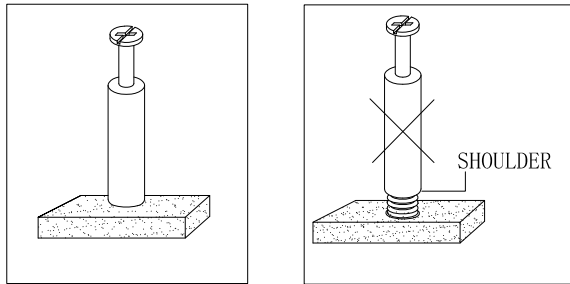
**Y**



HOOKS-4PCS

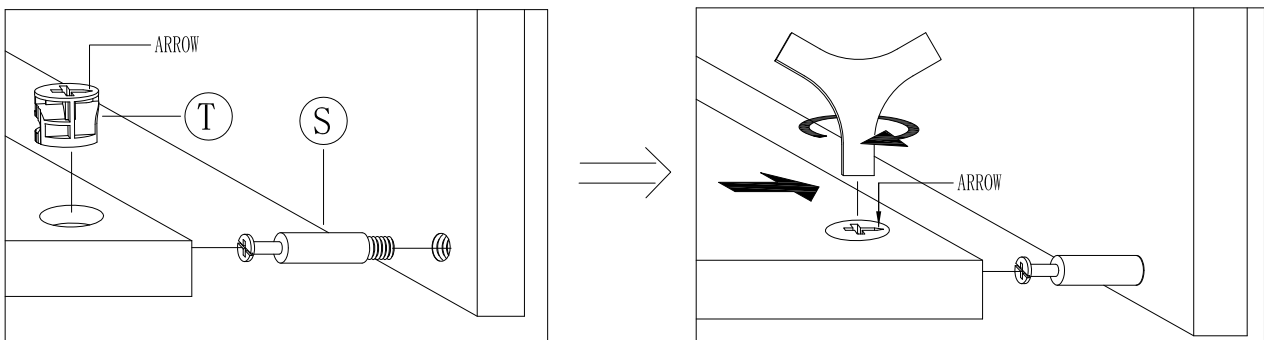
NOTE: THE SURFACE WITH THE STICKER IS THE BACK SIDE.

NOTE: ● UPON OPENING THOROUGHLY CLEAN ALL WOOD SURFACES TO REMOVE DUST AND DIRT THAT MAY HAVE SETTLED ONTO FINISH DURING SHIPMENT. IN ORDER TO PREVENT DAMAGE DURING ASSEMBLY, PLEASE ASSEMBLE THIS ITEM WITH AT LEAST TWO PEOPLE.

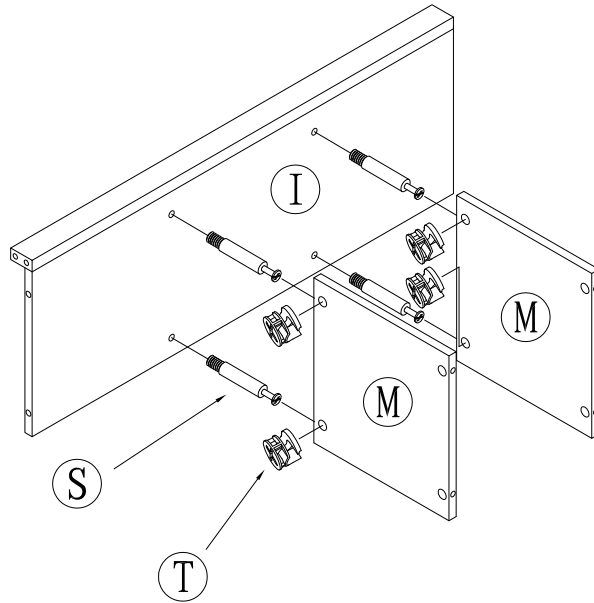


NOTE: TURN THE CAM-BOLT SCREWS UNTIL THEY ARE TIGHT, THE SHOULDER SHOULD BE AGAINST THE SURFACE OF THE PART.

### HOW TO USE THE CAM-TOOL

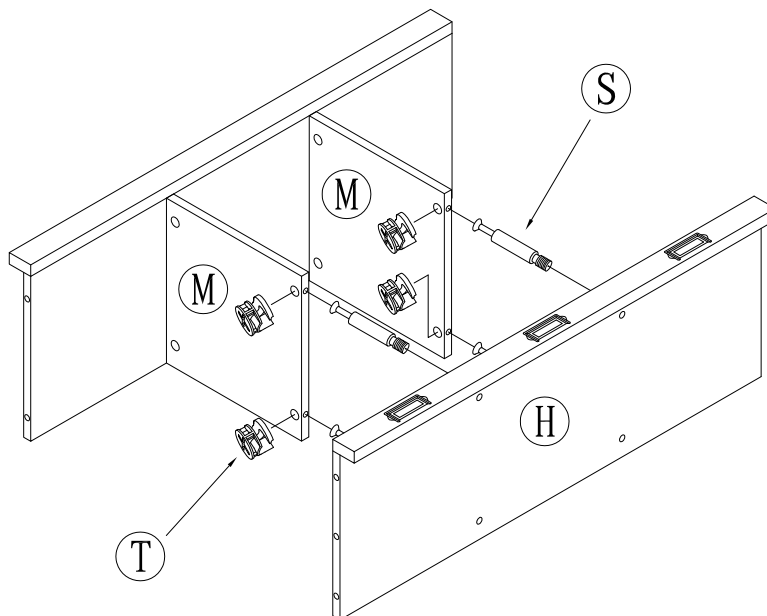


NOTE: ● THE ARROWS ON THE HIDDEN CAM-LOCKS SHOULD POINT TO THE CAM-BOLTS



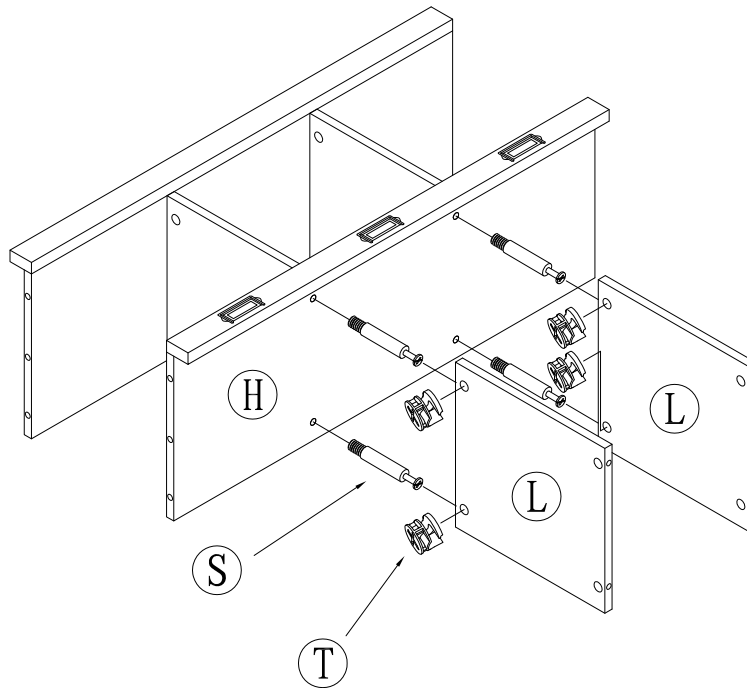
1). ASSEMBLE THE STAND PANELS (M).

- ROTATE 4 CAM-BOLTS (S) INTO THE HOLES IN THE BOTTOM PANEL (I).
- PLACE CAM-BOLTS (S) INTO THE HOLES IN THE PANELS (M) AND ATTACH USING 4 CAM-LOCKS (T).



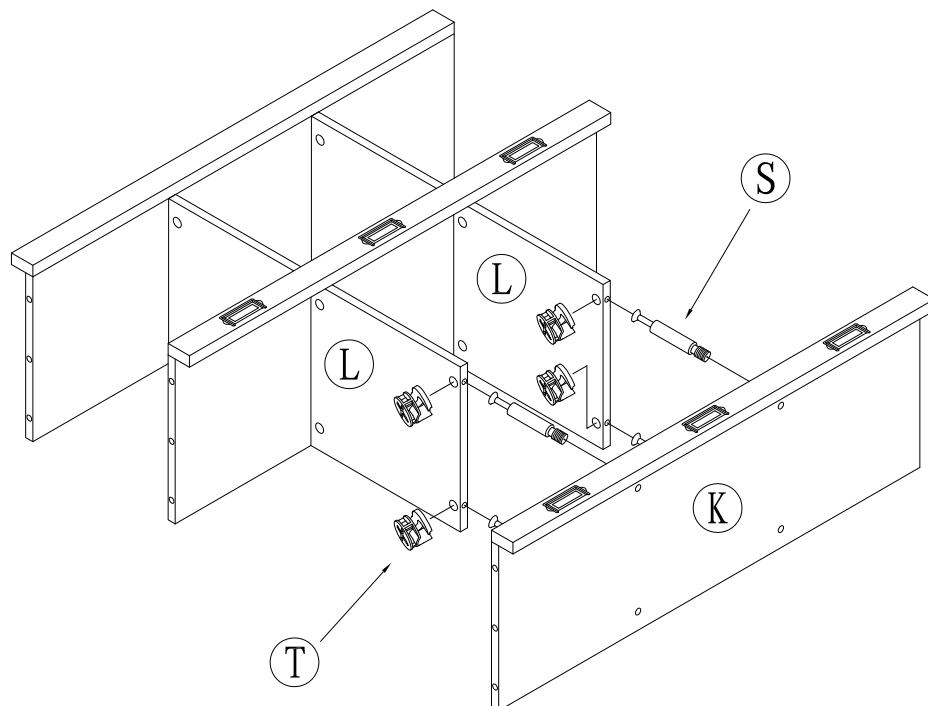
2). ASSEMBLE THE ACROSS PANEL (H).

- ROTATE 4 CAM-BOLTS (S) INTO THE HOLES IN THE ACROSS PANEL (H).
- PLACE CAM-BOLTS (S) INTO THE HOLES IN THE PANELS (M) AND ATTACH USING 4 CAM-LOCKS (T).



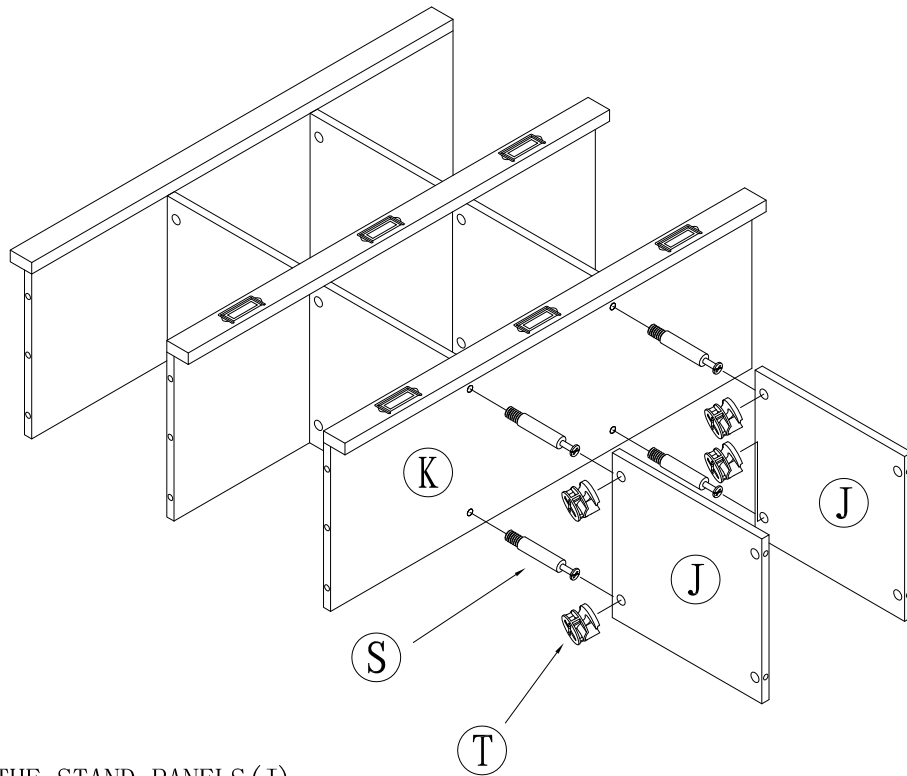
3). ASSEMBLE THE STAND PANELS (L).

- ROTATE 4 CAM-BOLTS (S) INTO THE HOLES IN THE ACROSS PANEL (H).
- PLACE CAM-BOLTS (S) INTO THE HOLES IN THE PANELS (L) AND ATTACH USING 4 CAM-LOCKS (T).



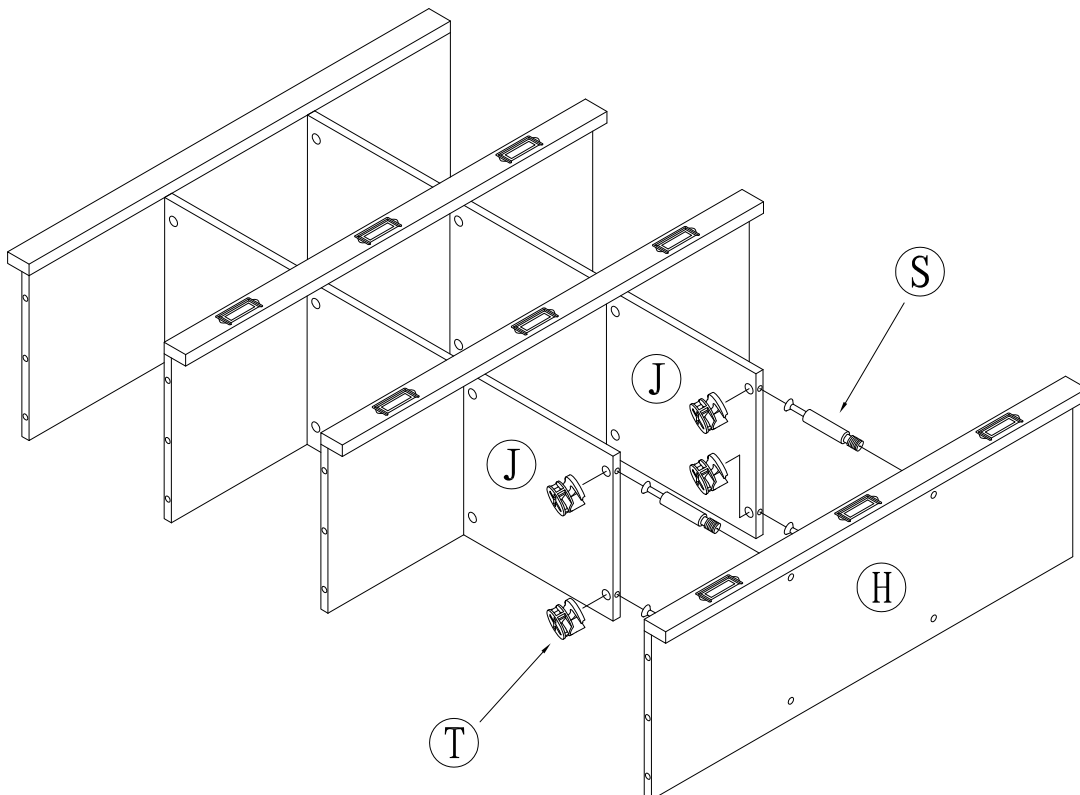
4). ASSEMBLE THE ACROSS PANEL (K).

- ROTATE 4 CAM-BOLTS (S) INTO THE HOLES IN THE ACROSS PANEL (K).
- PLACE CAM-BOLTS (S) INTO THE HOLES IN THE PANELS (L) AND ATTACH USING 4 CAM-LOCKS (T).



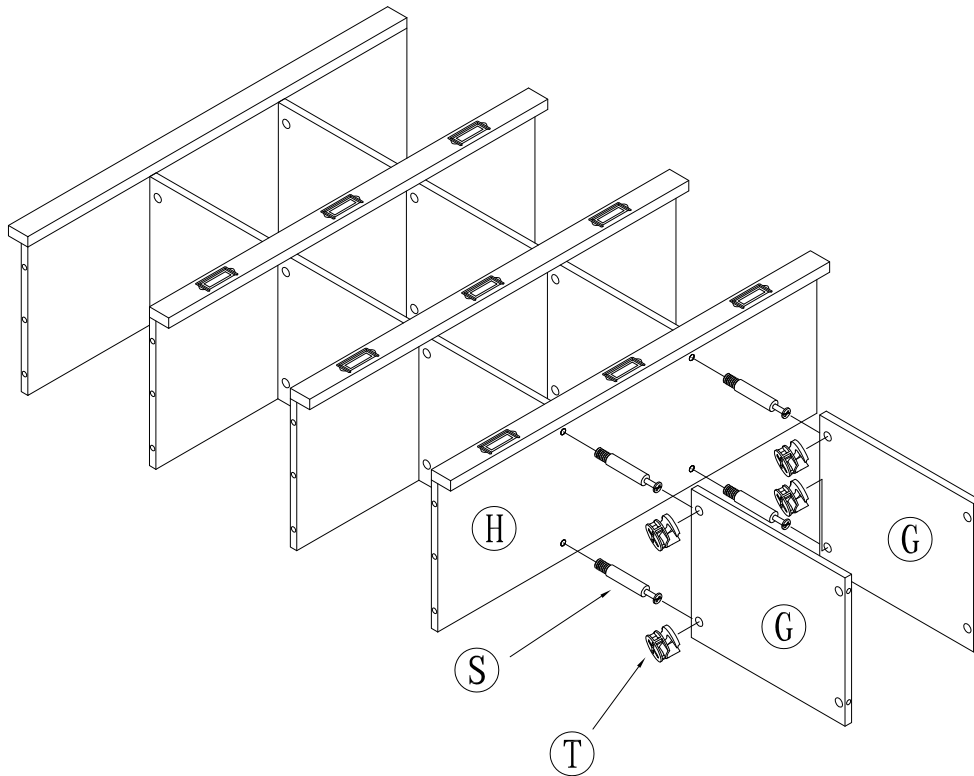
5). ASSEMBLE THE STAND PANELS (J).

- ROTATE 4 CAM-BOLTS (S) INTO THE HOLES IN THE ACROSS PANEL (K).
- PLACE CAM-BOLTS (S) INTO THE HOLES IN THE PANELS (J) AND ATTACH USING 4 CAM-LOCKS (T).



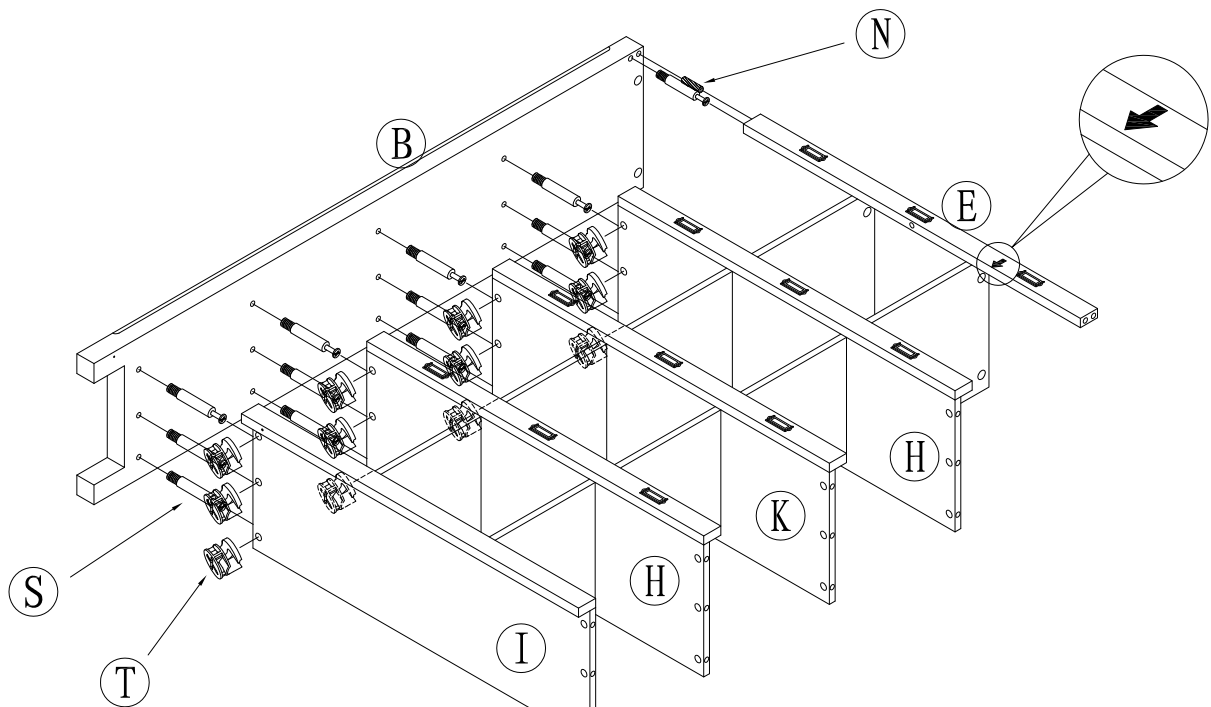
6). ASSEMBLE THE ACROSS PANEL (H).

- ROTATE 4 CAM-BOLTS (S) INTO THE HOLES IN THE ACROSS PANEL (H).
- PLACE CAM-BOLTS (S) INTO THE HOLES IN THE PANELS (J) AND ATTACH USING 4 CAM-LOCKS (T).



7). ASSEMBLE THE STAND PANELS (G).

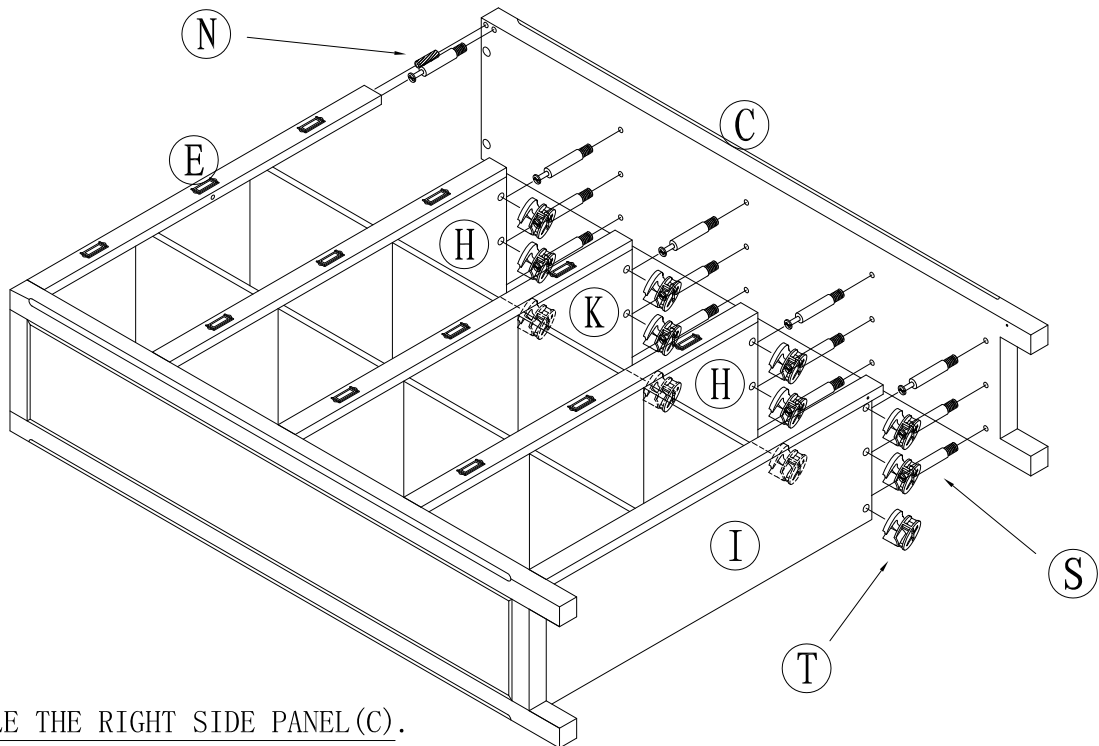
- ROTATE 4 CAM-BOLTS(S) INTO THE HOLES IN THE ACROSS PANEL (H).
- PLACE CAM-BOLTS(S) INTO THE HOLES IN THE PANELS(G) AND ATTACH USING 4 CAM-LOCKS(T).



8). ASSEMBLE THE LEFT SIDE PANEL (B).

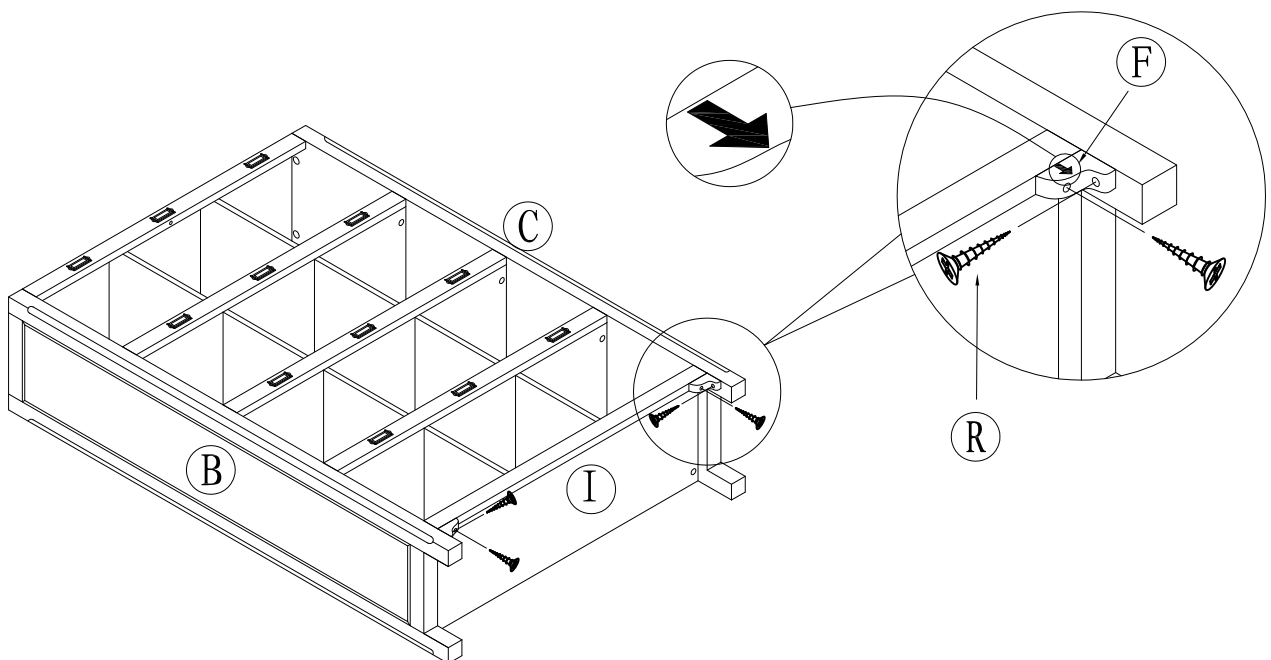
- ROTATE 13 CAM-BOLTS(S) AND INSERT 1 DOWEL(N) INTO THE HOLES IN THE LEFT SIDE PANEL (B).
- PLACE 13 CAM-BOLTS(S) 1 DOWEL(N) INTO THE HOLES IN THE PANEL (H/K/I/E) AND ATTACH USING 13 CAM-LOCKS(T).





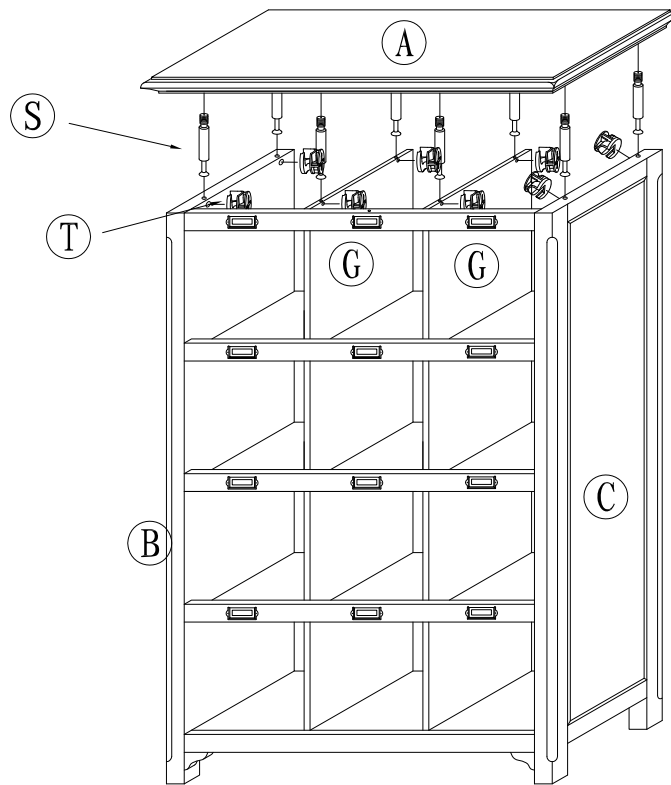
9). ASSEMBLE THE RIGHT SIDE PANEL (C).

- ROTATE 13 CAM-BOLTS(S) AND INSERT 1 DOWEL(N) INTO THE HOLES IN THE RIGHT SIDE PANEL (C).
- PLACE 13 CAM-BOLTS(S) AND 1 DOWEL(N) INTO THE HOLES IN THE PANEL (H/K/O/E/I) AND ATTACH USING 8 CAM-LOCKS(T).



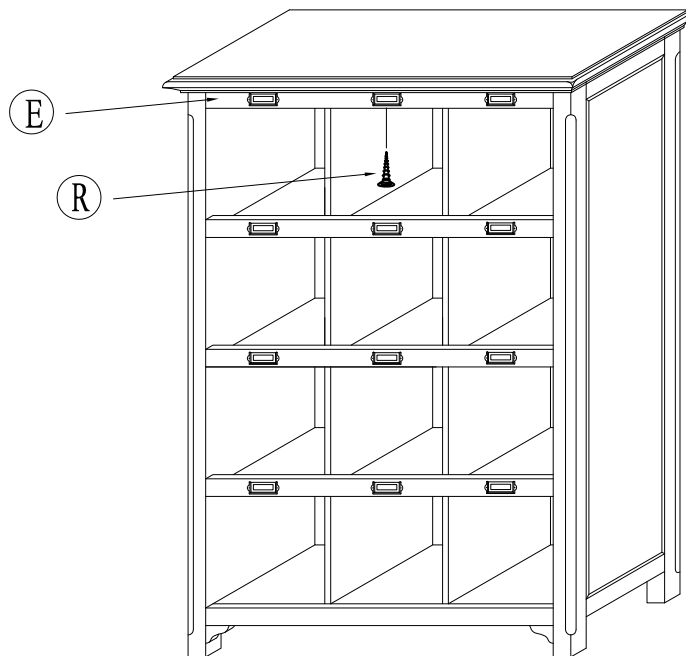
10). ASSEMBLE THE PANELS (F).

- ATTACH THE PANEL (F) TO PANEL (B/I) USING 2 SCREWS (R).
- ATTACH THE PANEL (F) TO PANEL (C/I) USING 2 SCREWS (R).



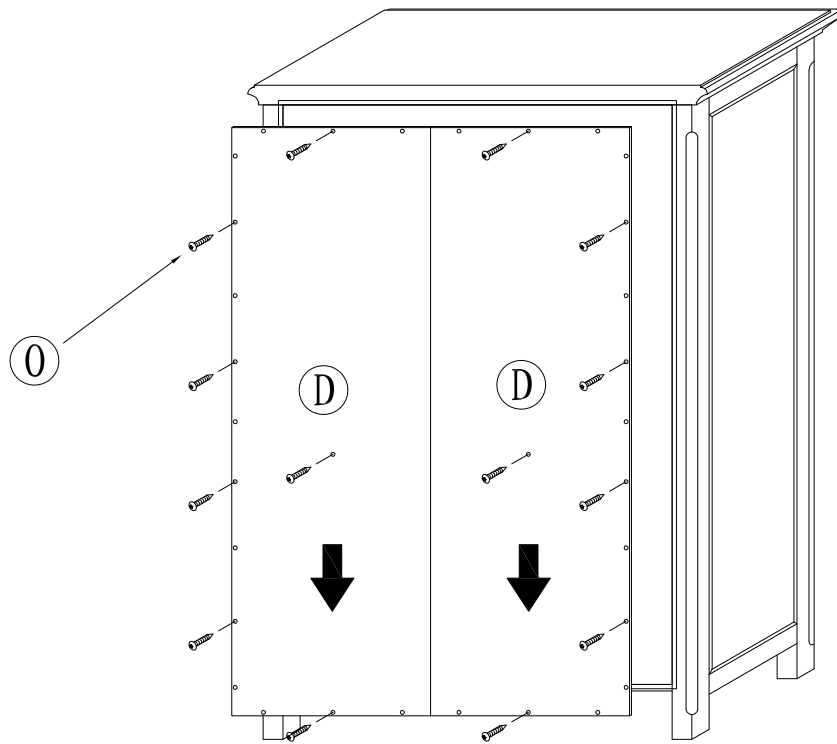
11). ASSEMBLE THE TOP PANEL (A).

- ROTATE 8 CAM-BOLTS(S) INTO THE HOLES IN THE TOP PANEL (A).
- PLACE CAM-BOLTS(S) INTO THE HOLES IN THE PANEL (B/C/G) AND ATTACH USING 8 CAM-LOCKS(T).



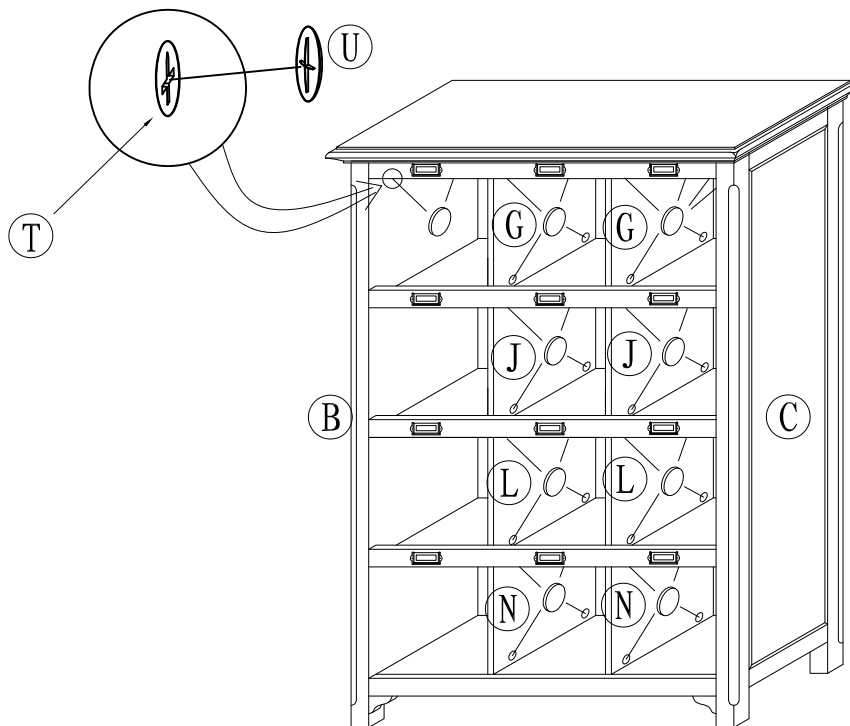
12). ASSEMBLE THE FRONT PANEL (E).

- ROTATE THE SCREW(R) INTO THE HOLE IN THE FRONT PANEL (E).



13). ASSEMBLE THE BACK PANELS (D).

- ATTACH THE BACK PANELS (D) USING 32 SCREWS (O).



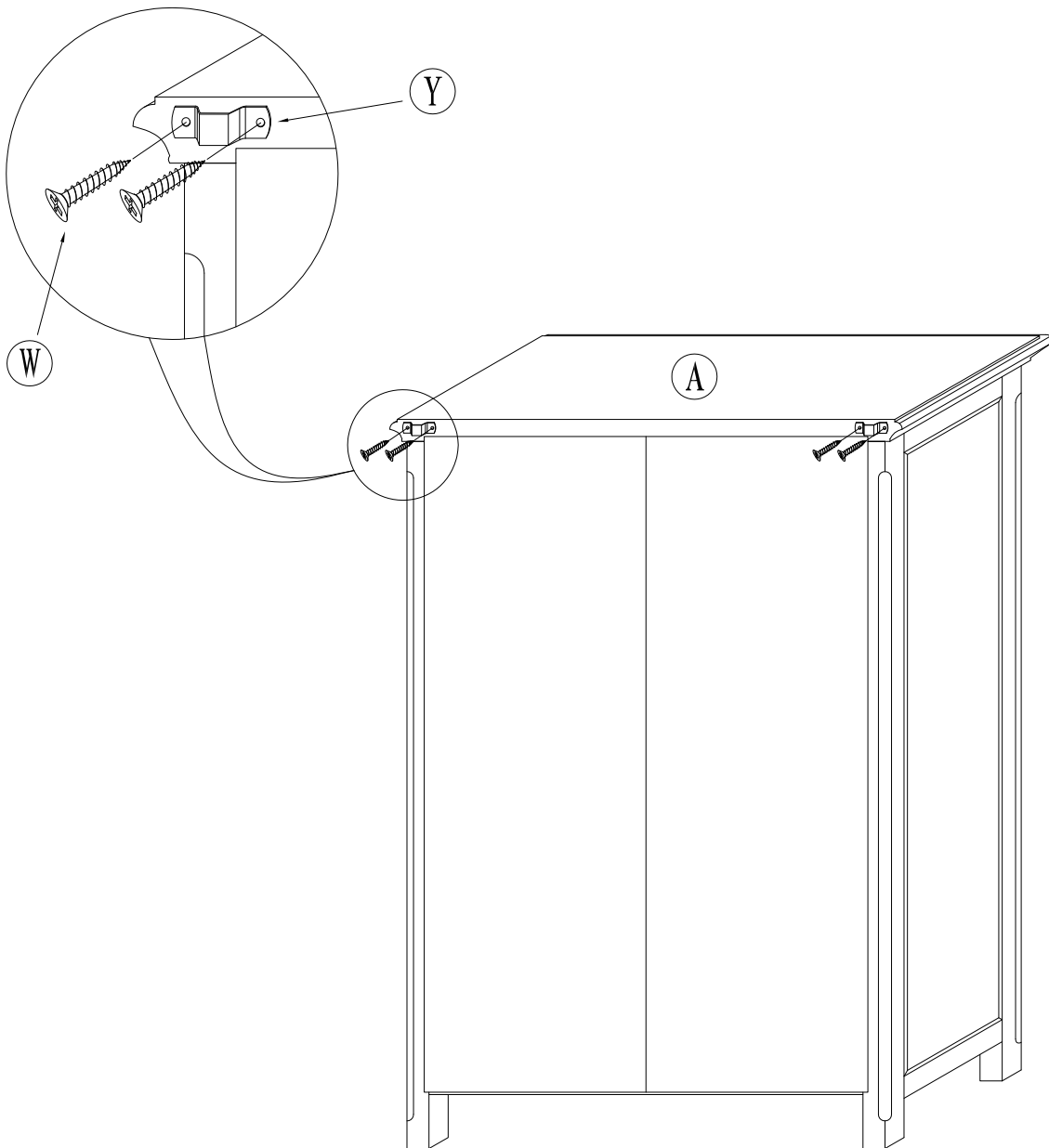
14). ASSEMBLE CAM-LOCK CAPS (U).

- PLACE 36 CAM-LOCK CAPS (U) OVER THE 36 CAM-LOCKS (T).



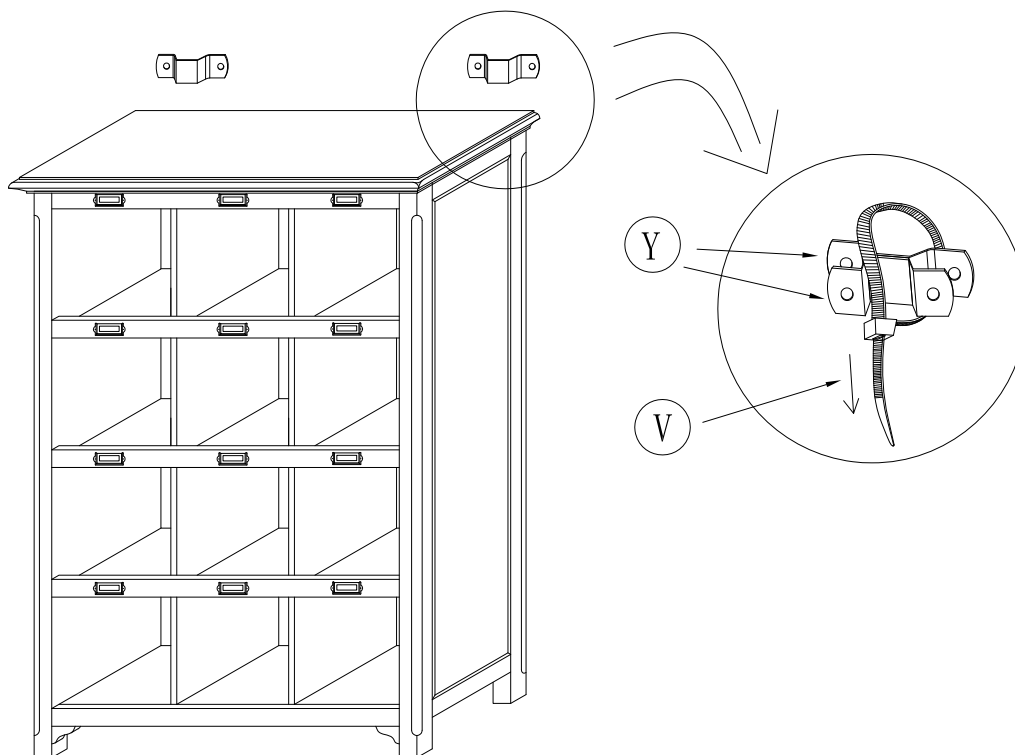
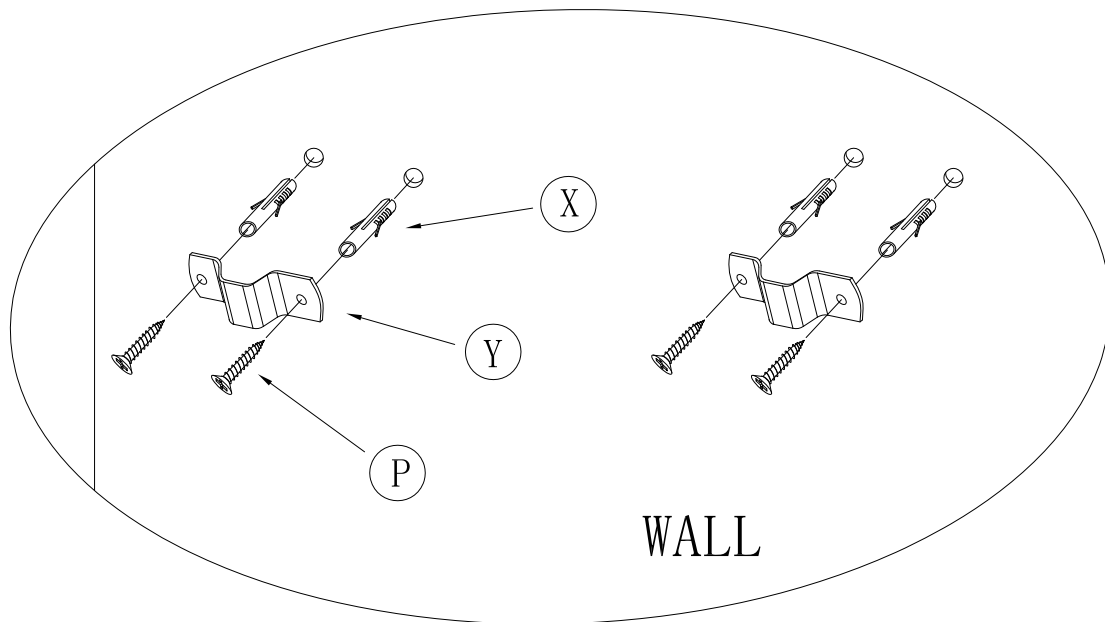
# Warning

The anti-tip hardware must be used as part of assembly!



## 15). ASSEMBLE THE HOOKS (Y).

- ATTACH 2 HOOKS (Y) USING 4 SCREWS (W) IN THE PREDRILLED HOLES OF REAR TOP PANEL (A).



16). ASSEMBLE THE ANTI-TIP HARDWARE.

- DRILL 4 HOLES INTO THE WALL, PLEASE REFER TO THE REAR TOP PANEL'S HOLE DISTANCE AND HEIGHT.
- PUT 4 GECKOS (X) INTO THE HOLES IN THE WALL AND ROTATE 4 SCREWS (P) INTO THE GECKOS (X).
- CONNECT THE TWO HOOKS (Y) WITH A PLASTIC BELT (V).