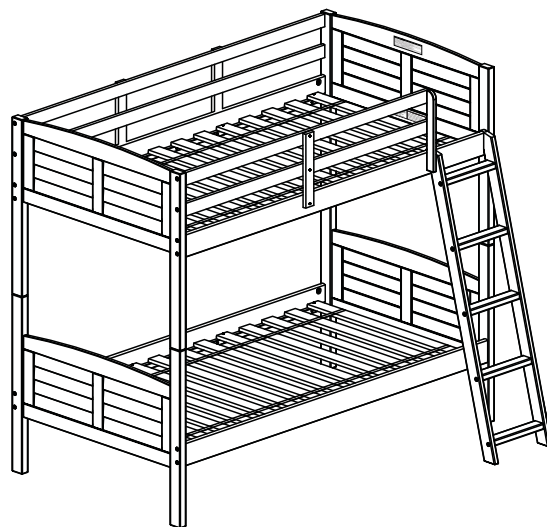


ASSEMBLY INSTRUCTIONS

2010 TWIN TWIN LOUVER BUNK BED

Thank you for purchasing this quality product. Be sure to check all packing materials carefully for small parts which may have come loose inside the carton during shipment. Separate, identify and count all parts and hardware. Compare with the parts list to be sure all parts are present.



**“DO NOT TIGHTEN SCREWS
UNTIL COMPLETELY ASSEMBLED”**

SIZE OF MATTRESS AND FOUNDATION (SUPPORT)

This bed is designed to use a twin mattress (37½”-38½”x74-75”) and bunkie board (37½”x74”). The total thickness must not exceed **9”** inches. Do not use mattress without the proper bunkie board of safe foundation.

Note: There must be at least **5”** inches from top surface of mattress to top edge of guardrails.

REPLACEMENT PARTS.

Replacement parts, including additional guardrails, may be obtained from place of purchase or original distributor.

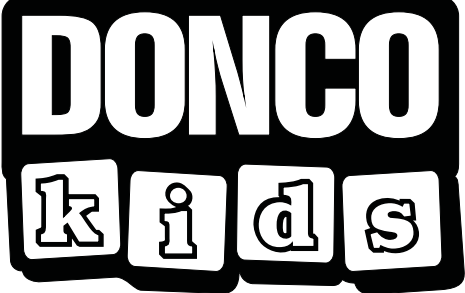
TO OBTAIN PARTS, PLEASE CONTACT: **DONCO TRADING COMPANY - FORT WORTH, TEXAS**

SAFETY WARNINGS!

- 1- Follow the information on the warning label appearing on the upper bunk end structure and on the carton. Do not remove warning label from bed.
- 2- Always use the recommended size mattress or mattress support, or both, to help prevent the likelihood of entrapment or falls.
- 3- Surface of mattress must be at least 5 inches below the upper edge of guardrails.
- 4- Do not allow children under 6 years of age to use the upper bunk.
- 5- Prohibit more than one person on upper bunk.
- 6- Periodically check and ensure that the guardrail, ladder and other components are in their proper position free from damage, and that all connectors are tight.
- 7- Do not allow horseplay on or under the bed and prohibit jumping on the bed.
- 8- Always use the ladder for entering and leaving the upper bunk.
- 9- Do not use substitute parts. Contact distributor or dealer for replacement parts.
- 10- Use of a night light may provide added safety precaution for a child using the upper bunk.
- 11- If the bunk bed will be placed next to a wall, the guardrail that runs the full length of the bed should be placed against the wall to prevent entrapment between the bed and the wall.
- 12- Always use guardrails on both long sides of the upper bunk.
- 13- The use of water or sleep flotation mattresses is prohibited.
- 14- Keep these instructions for future reference.
- 15- Strangulation Hazard - Never attach or hang items to any part of the bunk bed that are not designed for use with the bed: for example, but not limited to, hooks, belts, and jump ropes, etc.



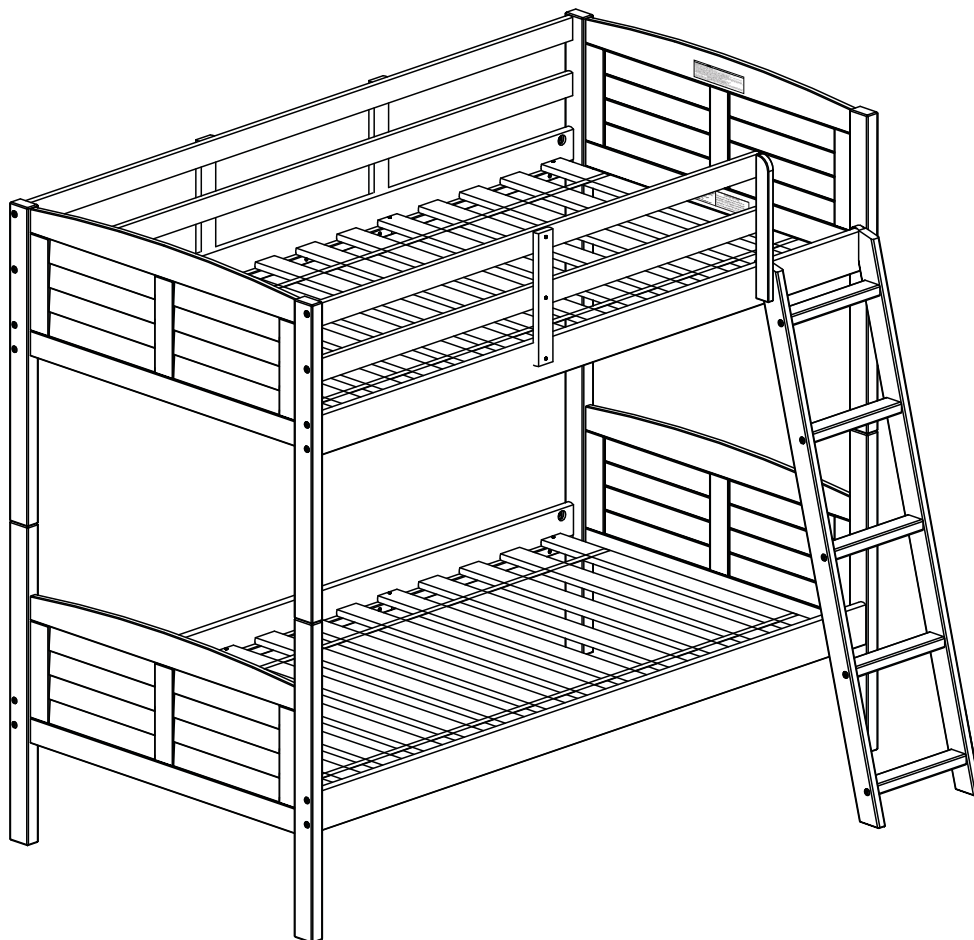
IMPORTANT: PLEASE READ INSTRUCTIONS BEFORE STARTING THE ASSEMBLY



Fort Worth, Texas 76140

ASSEMBLY INSTRUCTIONS

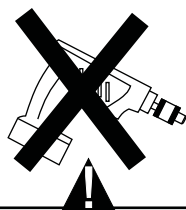
2010 TWIN TWIN LOUVER BUNK BED



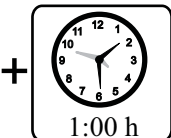
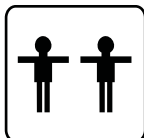
Thank you for purchasing this quality product. Be sure to check all packing material carefully for small parts which may have come loose inside the carton during shipment. Separate, identify and count all parts and hardware.

Compare with the parts list to be sure all parts are present.

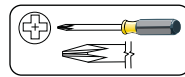
"DO NOT TIGHTEN SCREWS UNTIL COMPLETELY ASSEMBLED"



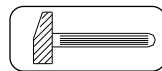
* Use of power tool to assemble this product will invalidate any claim and damage this product making unsafe !!!
* Please assemble on a clean soft surface to avoid damage.



Tools Required



(Not included)

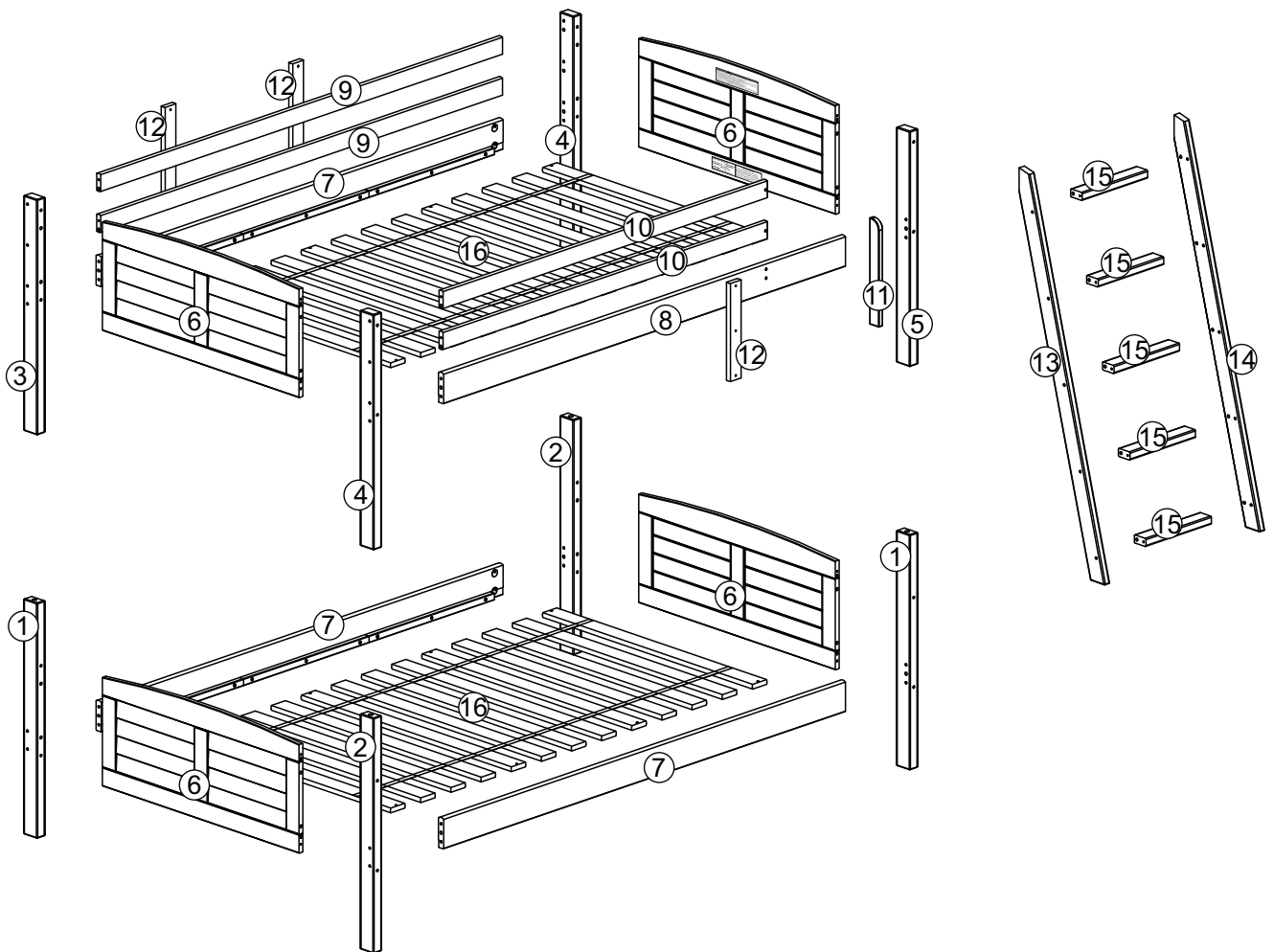


(Not included)

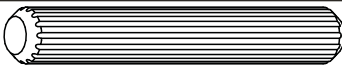

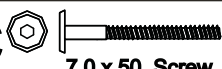
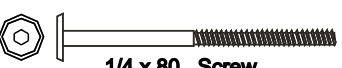


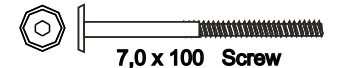
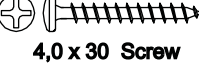
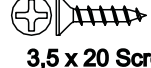
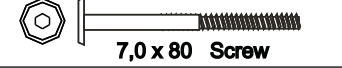


IMPORTANT:

PLEASE READ INSTRUCTION BEFORE STARTING THE ASSEMBLY

Part List - 2010 Twin Twin Louver Bunk Bed


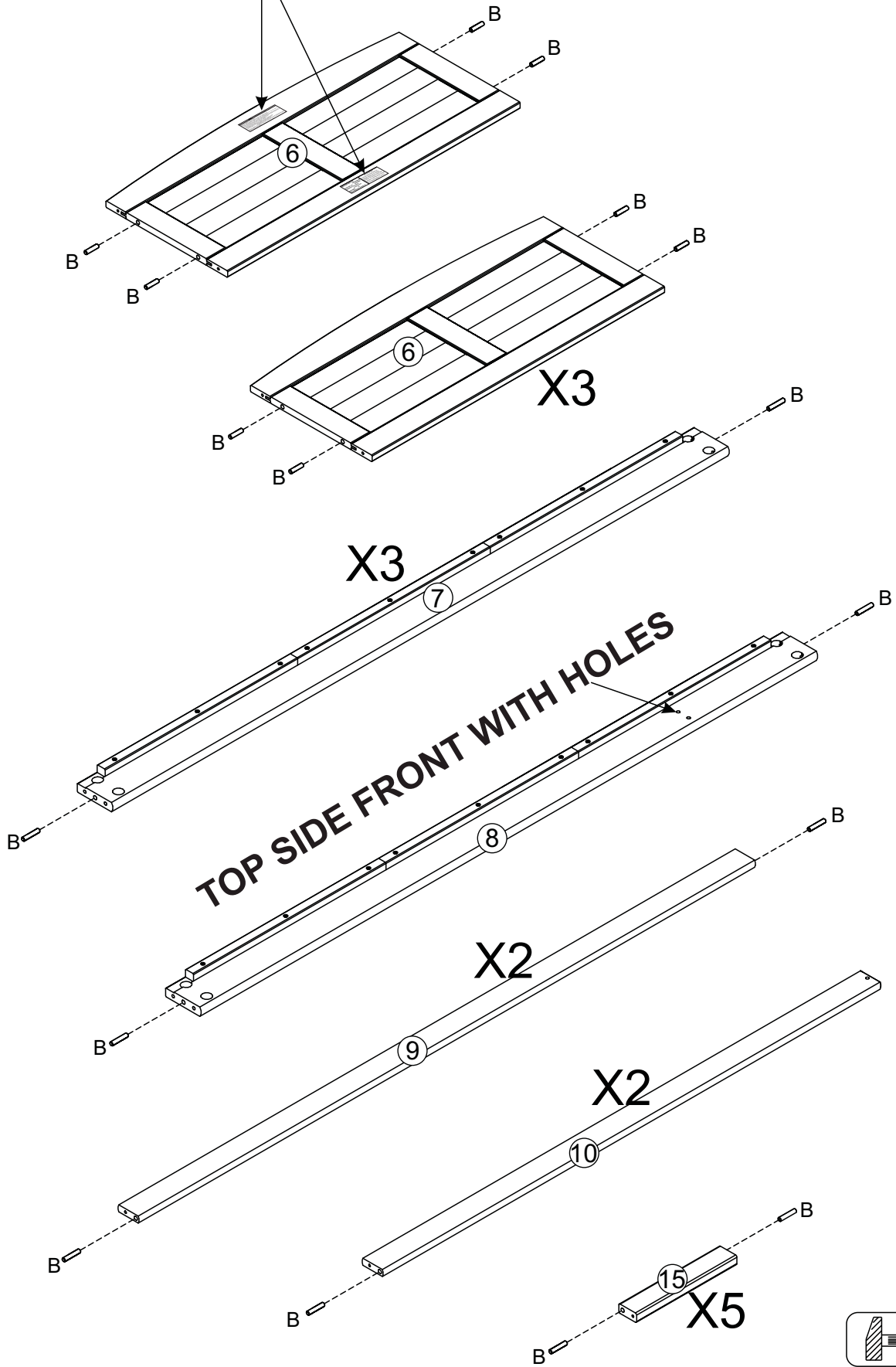



Identifying the Hardware-Identify the hardware using the illustrations below.

A  Qty 04 15 x 100 Wood Dowel	B  Qty 40 10 x 40 Wood Dowel	C  Qty 14 7,0 x 50 Screw
D  Qty 16 1/4 x 80 Screw	E  Qty 16 1/4" Half Moon	F  Qty 02 Hook Ladder
G  Qty 16 7,0 x 100 Screw	H  Qty 25 4,0 x 30 Screw	I  Qty 06 3,5 x 20 Screw
J  Qty 06 7,0 x 80 Screw	K  Qty 01 Hex Screwdriver	L  Qty 02 Protector

01

WARNING LABELS

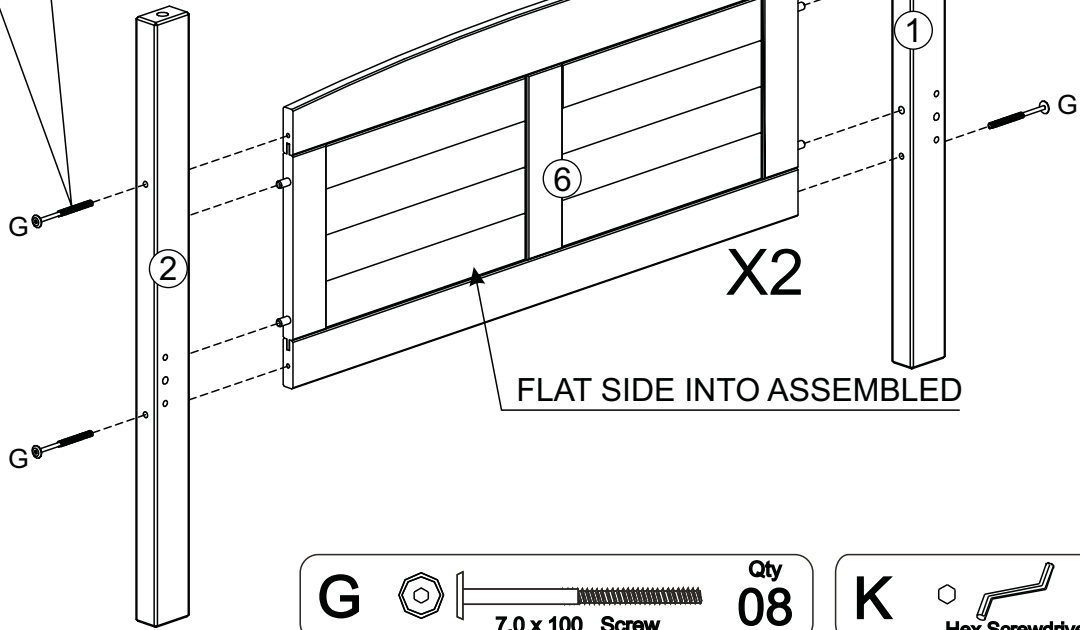
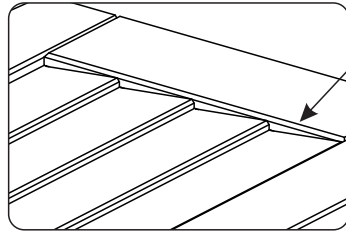
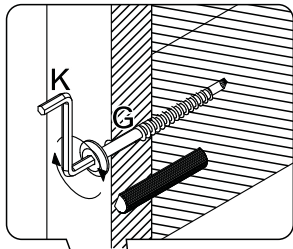


B  Qty **40**
10 x 40 Wood Dowel

02

BOTTOM BED

SHUTTER
OUTSIDE ASSEMBLED



G



7,0 x 100 Screw

Qty
08

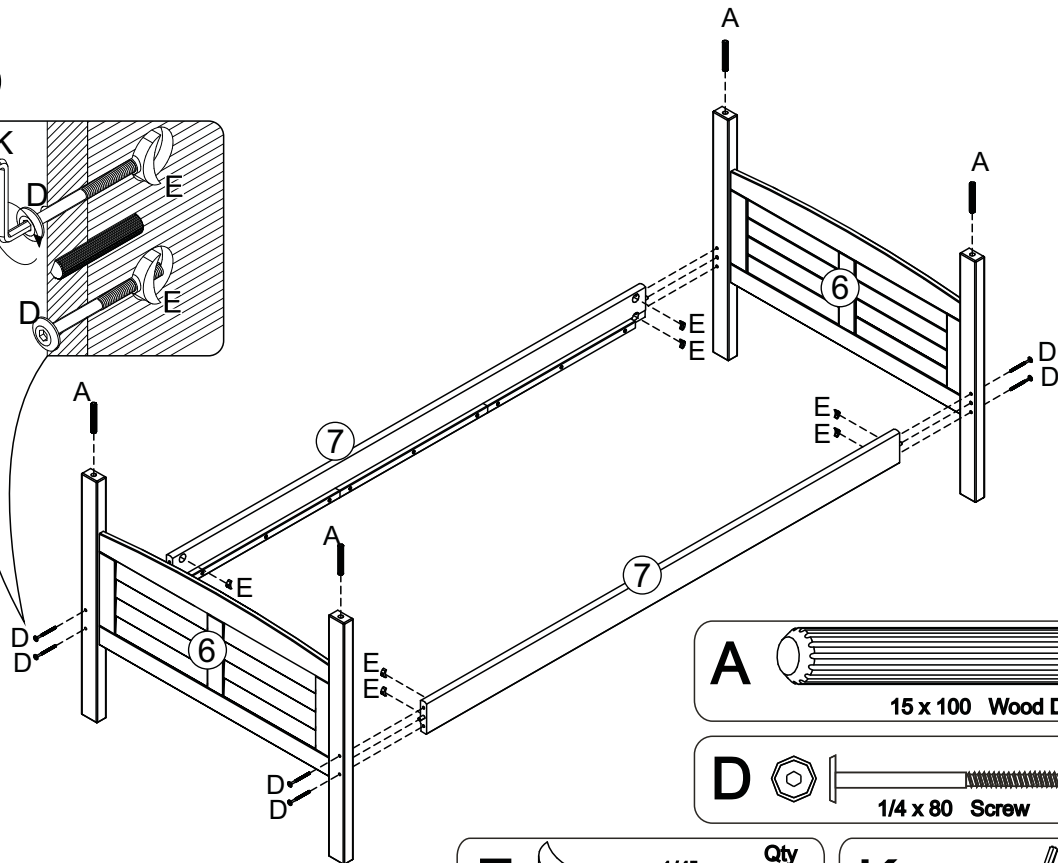
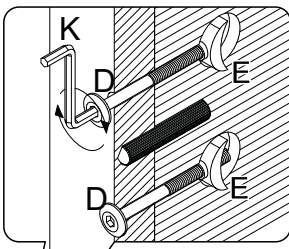
K



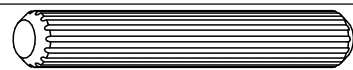
Hex Screwdriver

Qty
01

03



A



15 x 100 Wood Dowel

Qty
04

D



1/4 x 80 Screw

Qty
08

E



1/4" Half Moon

Qty
08


K

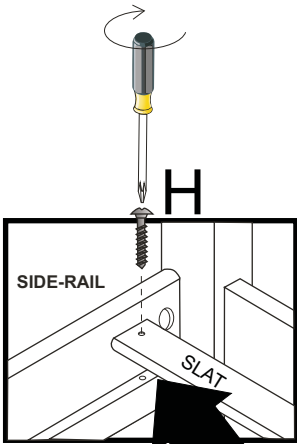
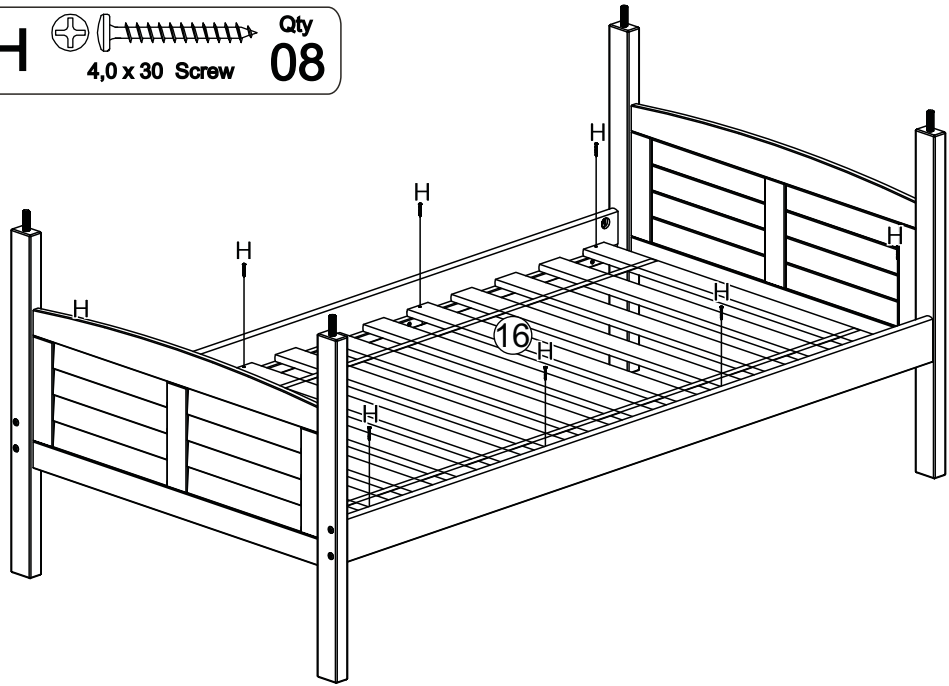


Hex Screwdriver

Qty
01

04

H  Qty **08**
4,0 x 30 Screw

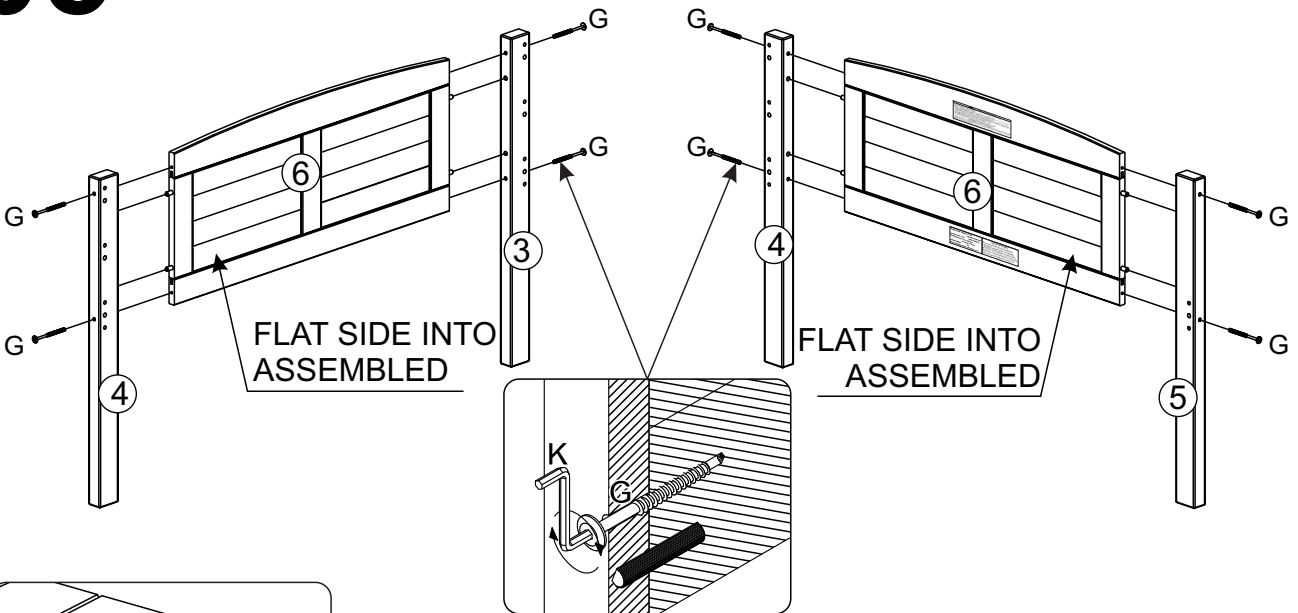


!
The first slats must be fixed at 3" from each headboard end.

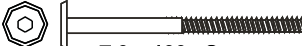
!
"INSTALL SLAT KIT WITH SPACER TAPE ON TOP (FACING UP)"

05

TOP BED

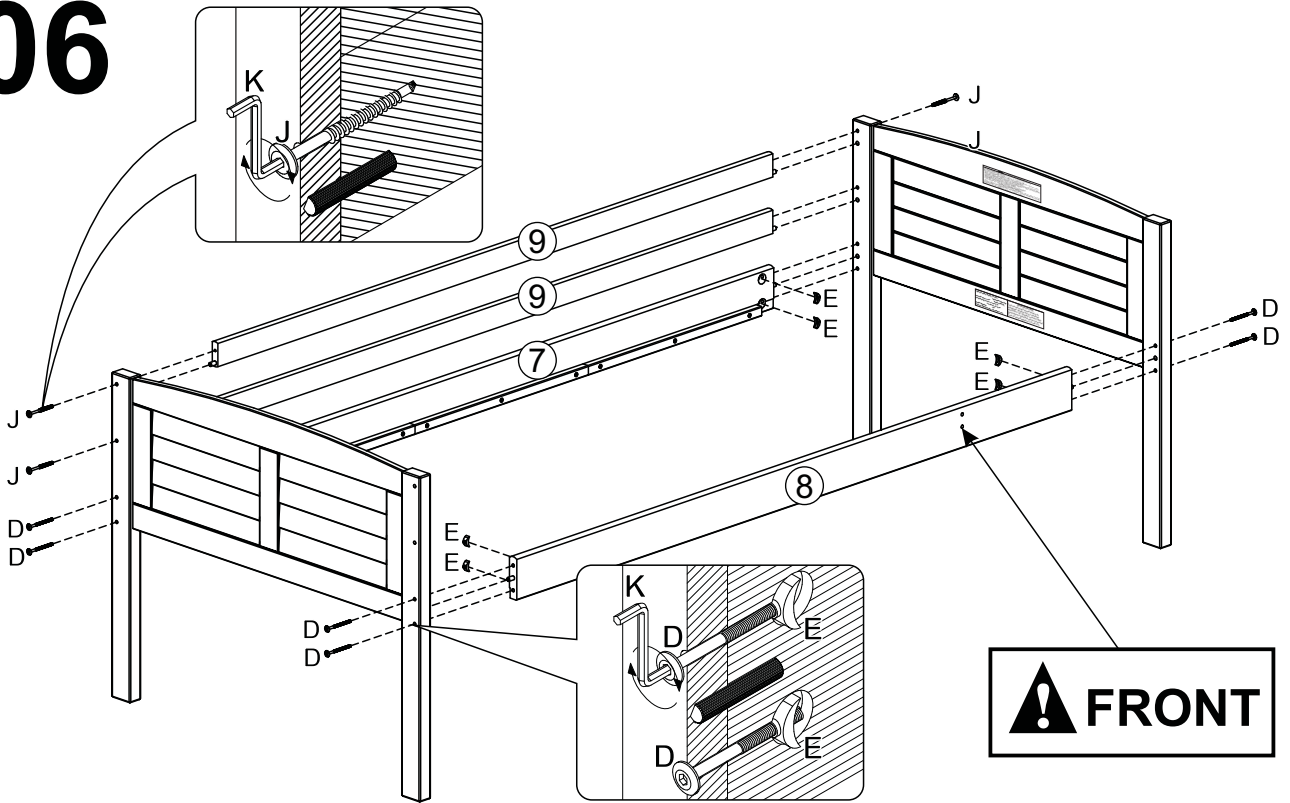



SHUTTER OUTSIDE ASSEMBLED

G  Qty **08**
7,0 x 100 Screw


K  Qty **01**
Hex Screwdriver

06



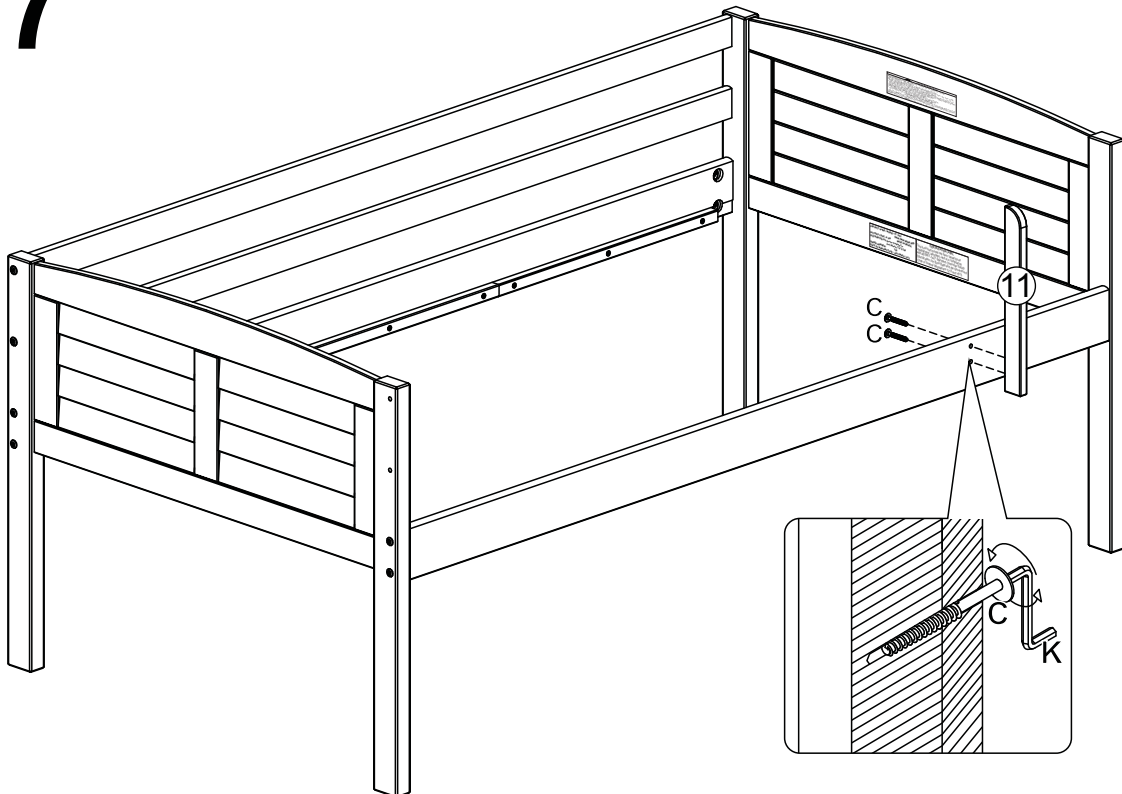
D  $\frac{1}{4} \times 80$ Screw Qty **08**


E  $\frac{1}{4}$ " Half Moon Qty **08**

J  $7,0 \times 80$ Screw Qty **04**

K  Hex Screwdriver Qty **01**

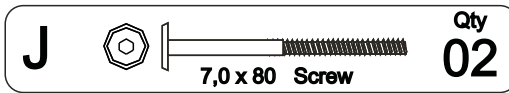
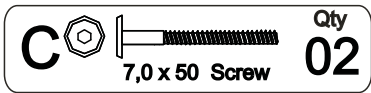
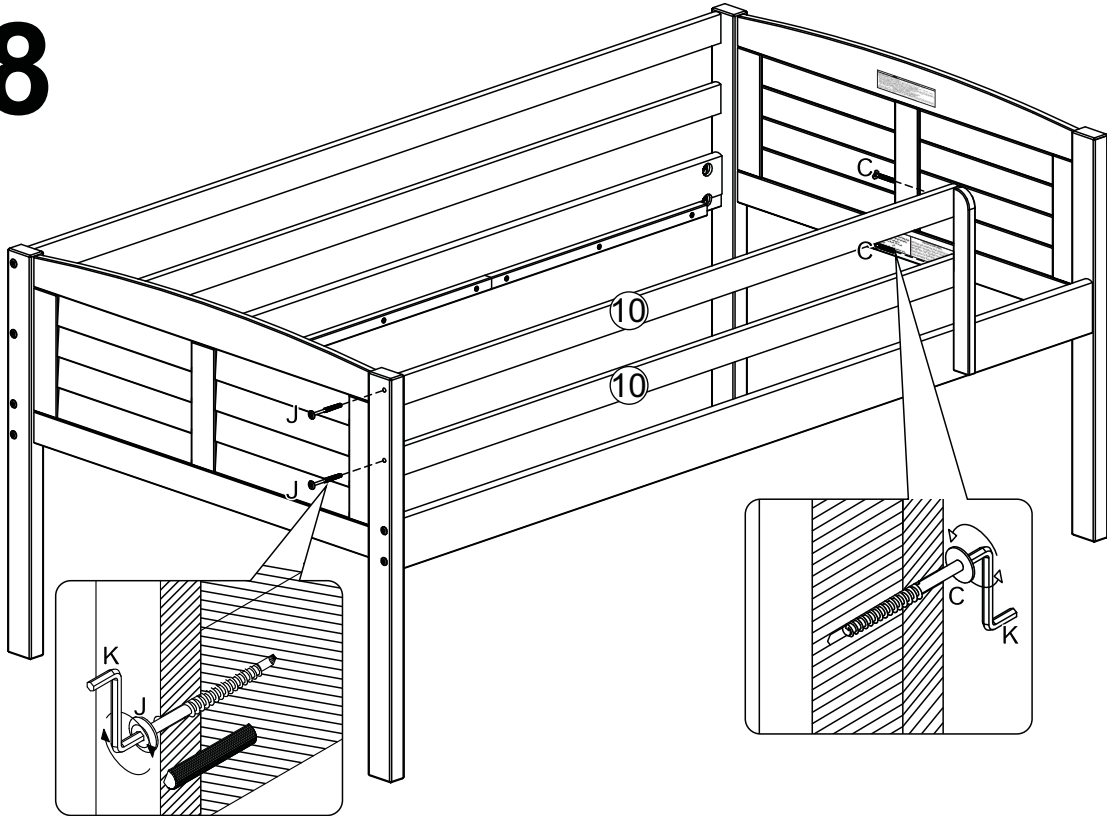
07



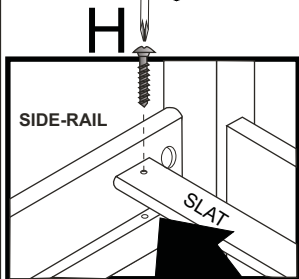
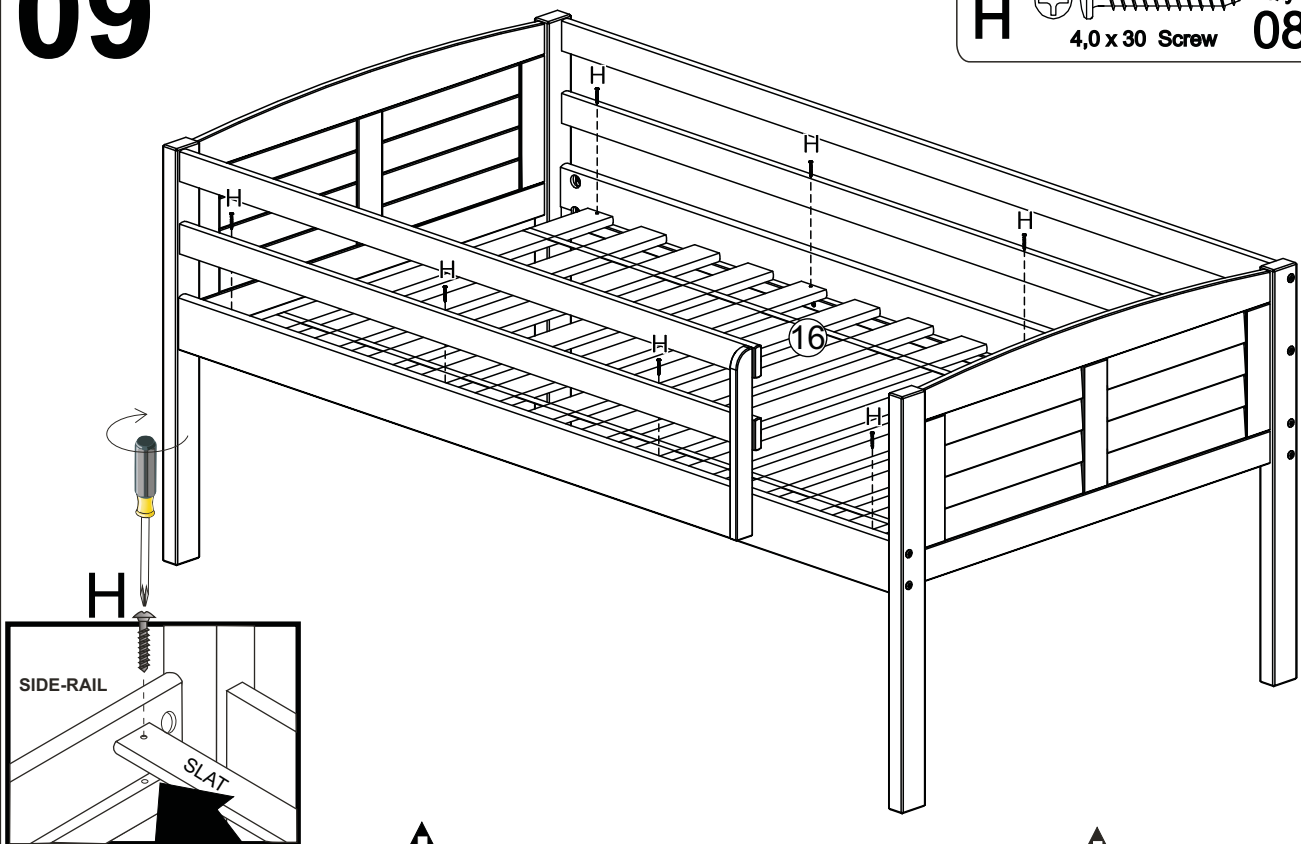
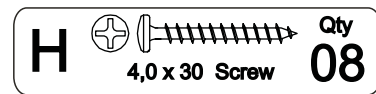
C  $7,0 \times 50$ Screw Qty **02**

K  Hex Screwdriver Qty **01**

08



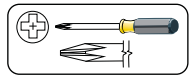
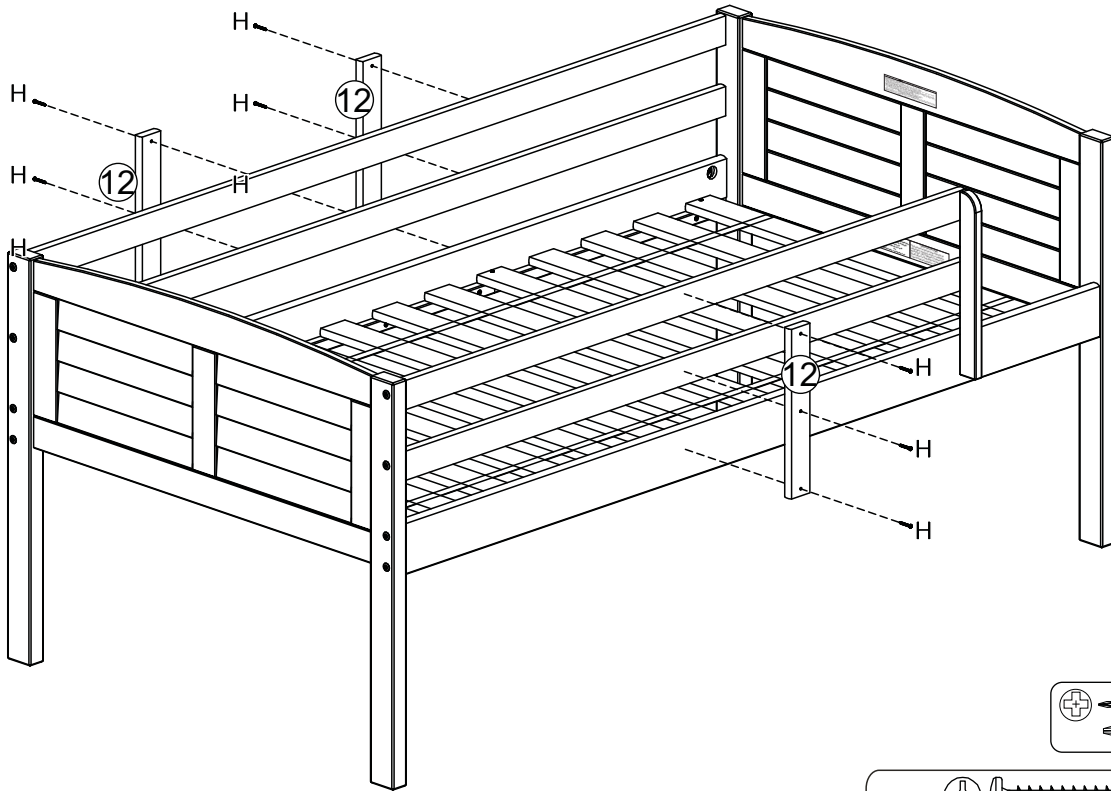
09




!
The first slats must be fixed at 3" from each headboard end.

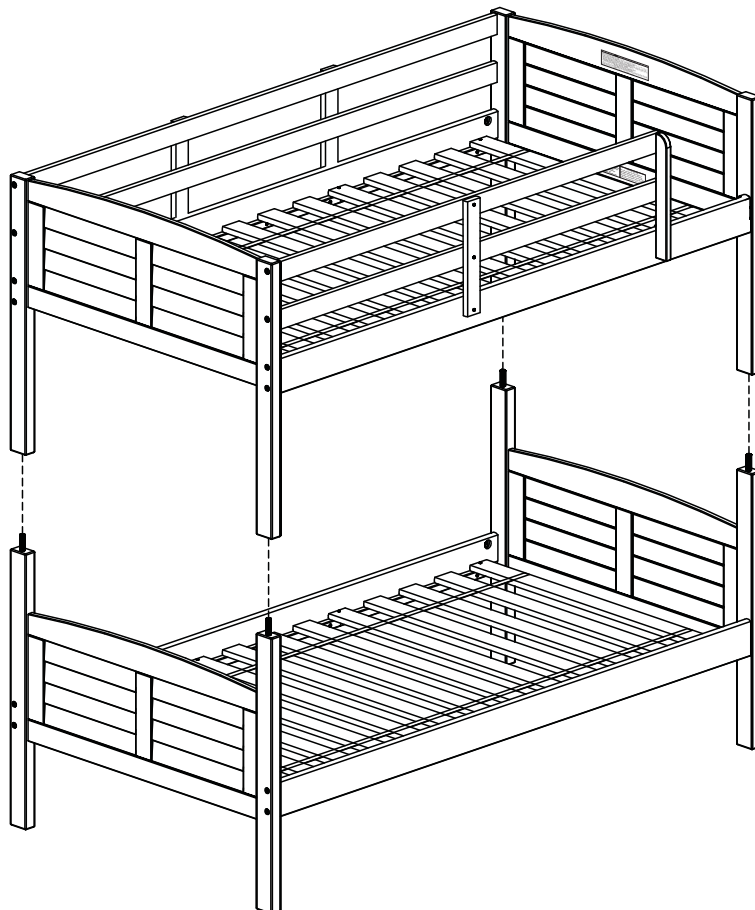
!
"INSTALL SLAT KIT WITH SPACER TAPE ON TOP (FACING UP)"

10



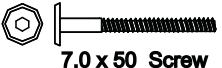
H  **4,0 x 30 Screw** Qty **09**

11

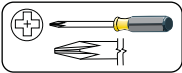
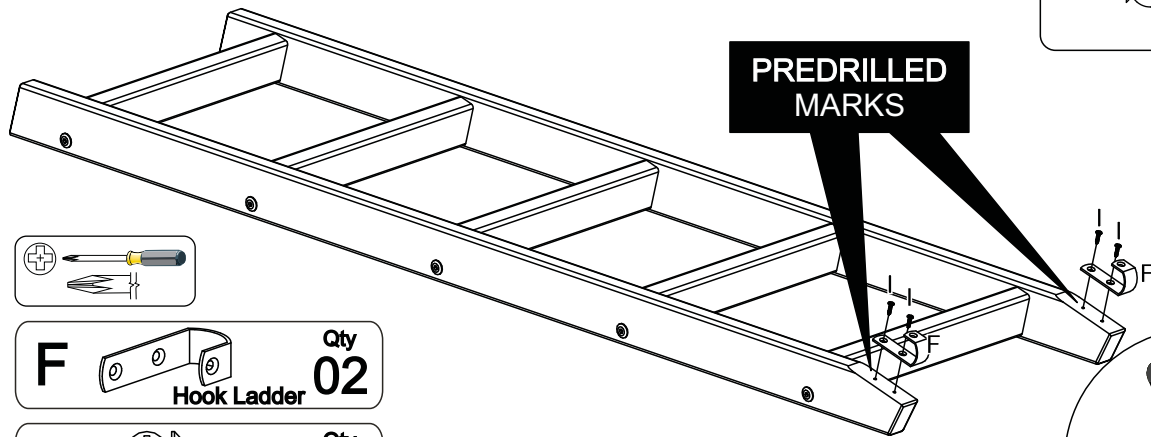
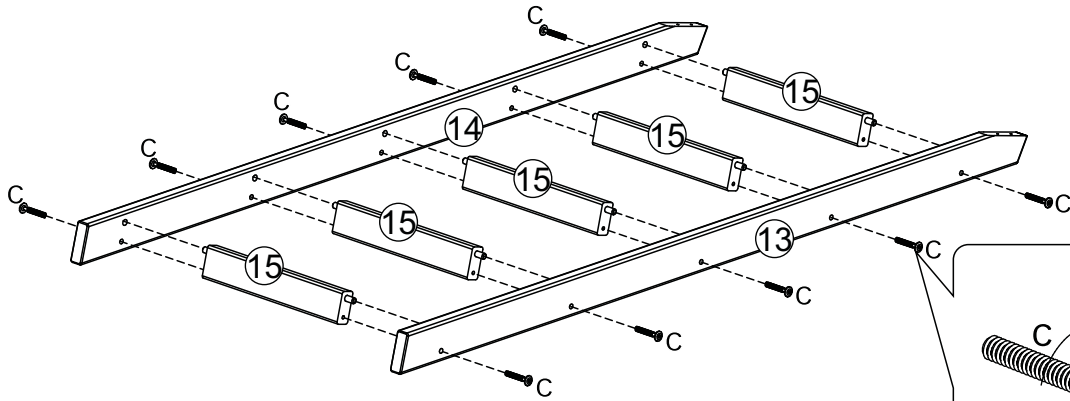



12

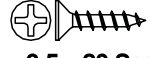
LADDER

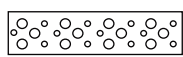
C  Qty **10**

K  Qty **01**

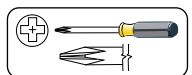
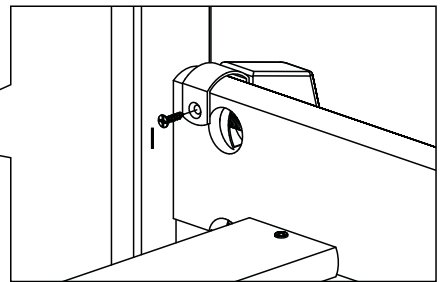


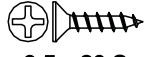
F  Qty **02**
Hook Ladder

I  Qty **04**
3,5 x 20 Screw

L  Qty **02**
Protector

13



I  Qty **02**
3,5 x 20 Screw