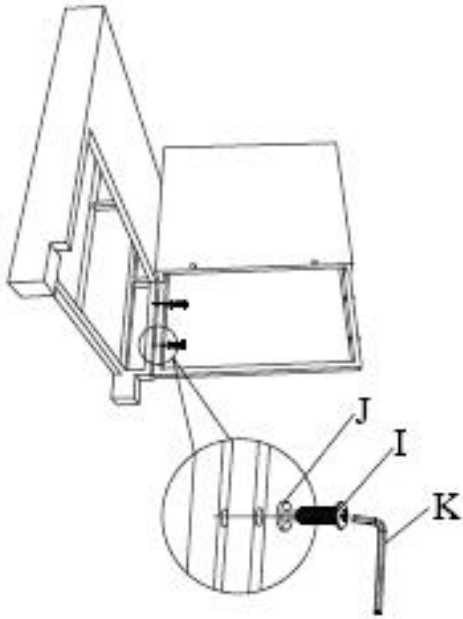


### Parts list

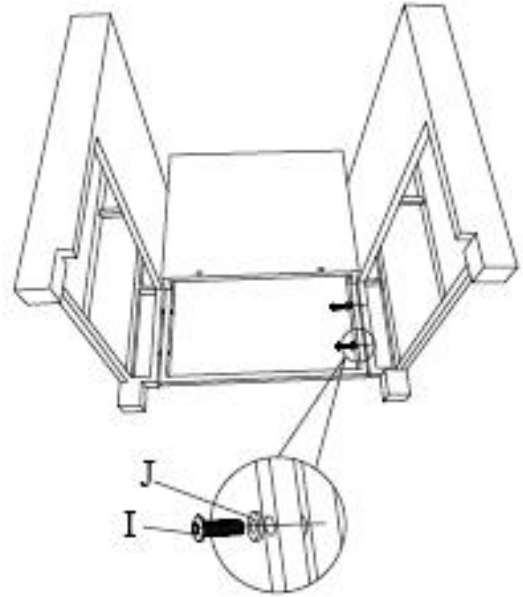
|   |  |   |   |           |    |
|---|--|---|---|-----------|----|
| A |  | 6 | F |           | 2  |
| B |  | 2 | G |           | 2  |
| C |  | 2 | H |           | 1  |
| D |  | 1 | I | M6X35MM   | 54 |
| E |  | 1 | J | Gasket    | 54 |
|   |  |   | K | M6 Wrench |    |
|   |  |   | L | glass     | 1  |

1.



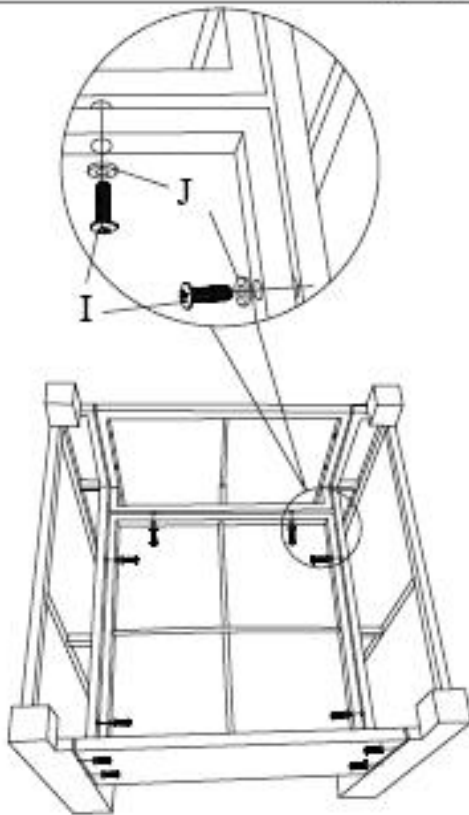
I  2PCS  
 J  2PCS

2.



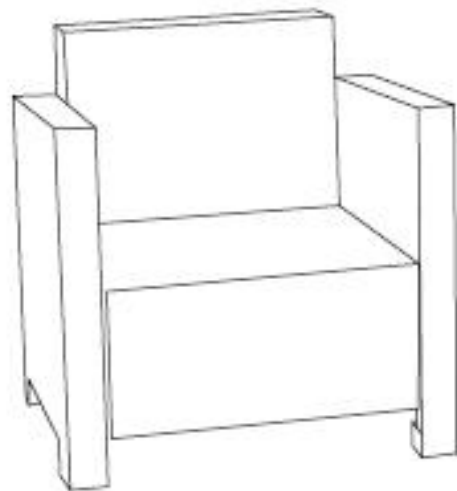
I  2PCS  
 J  2PCS

3.

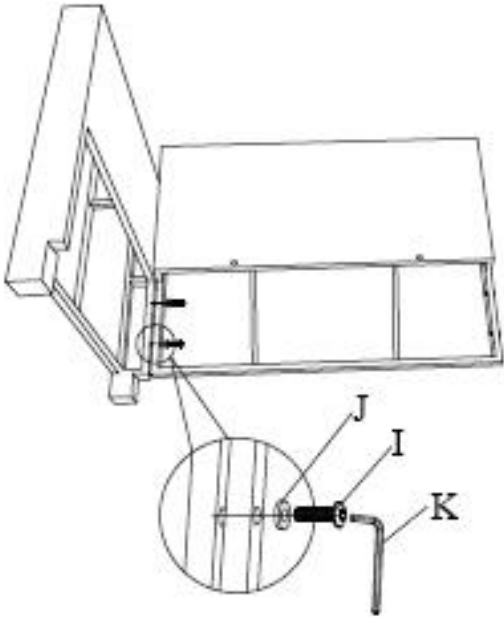


I  10PCS  
 J  10PCS

4.

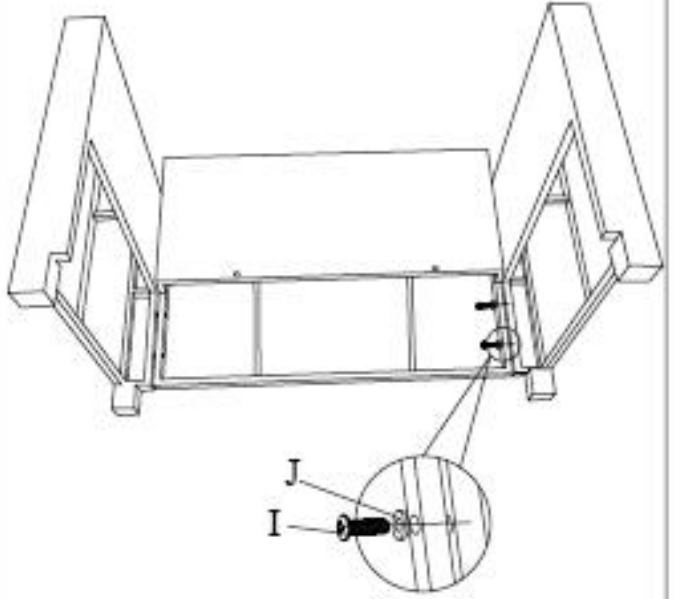


1.



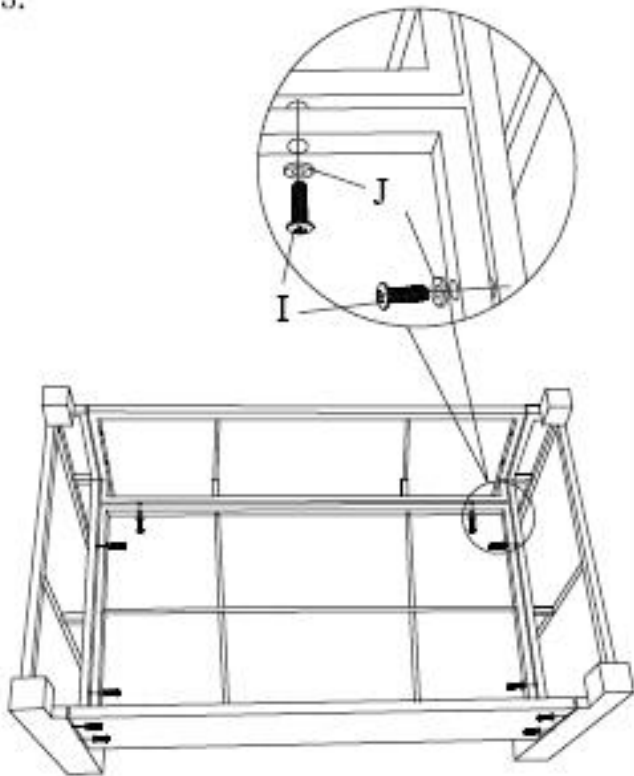
I  2PCS  
 J  2PCS

2.



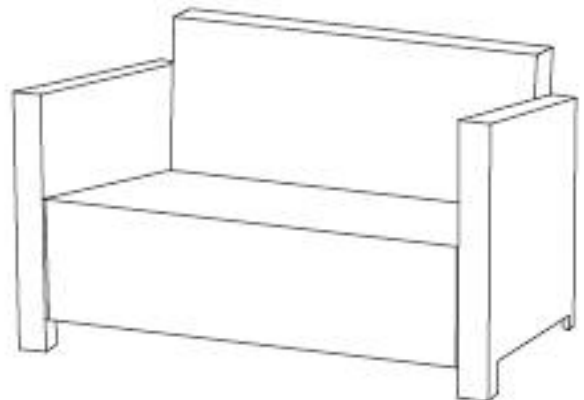
I  2PCS  
 J  2PCS

3.

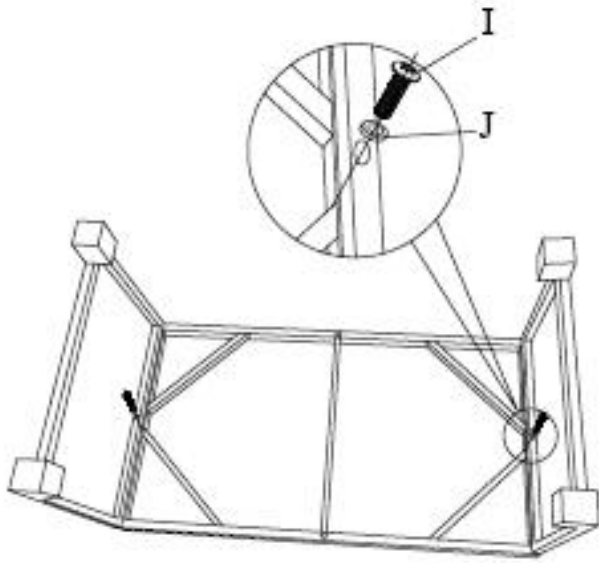


I  10PCS  
 J  10PCS

4.

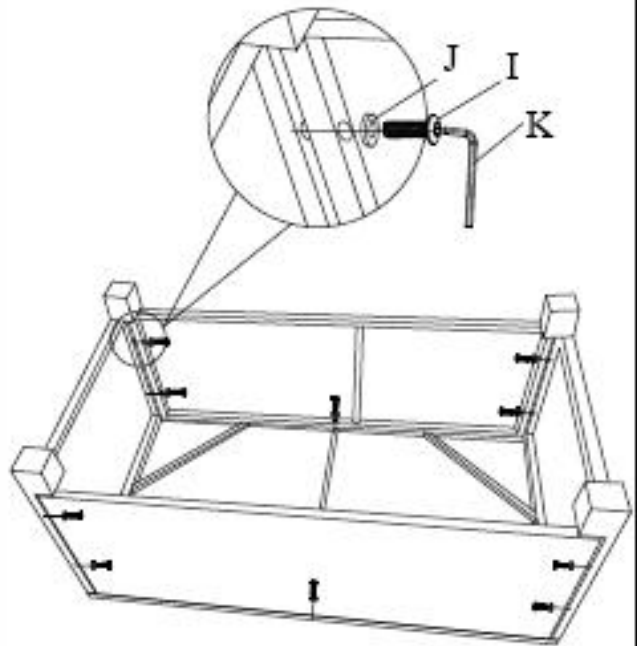


1.



I  2PCS  
J  2PCS

2.



I  10PCS  
J  10PCS

3.

