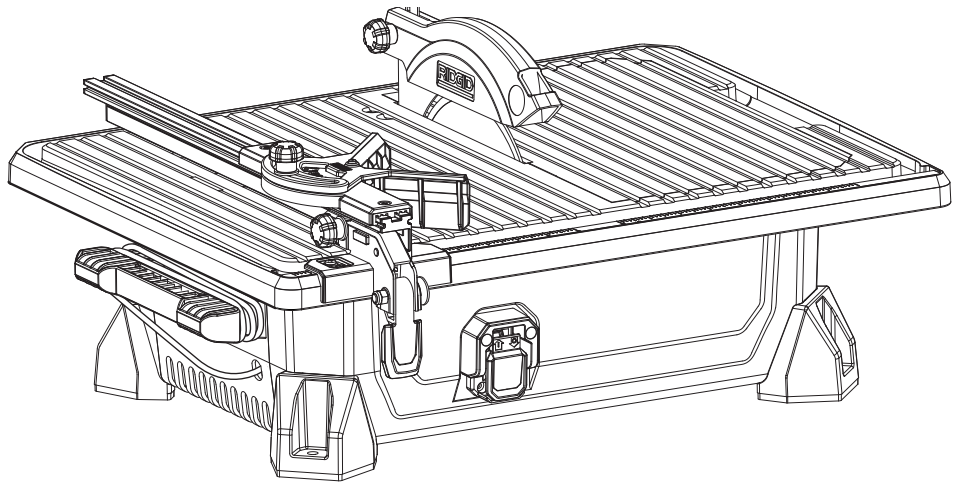


OPERATOR'S MANUAL

7 in. TILE SAW R4020



To register your RIDGID
product, please visit:
<http://register.RIDGID.com>

Pour enregistrer votre
produit de RIDGID,
s'il vous plaît la visite:
<http://register.RIDGID.com>

Para registrar su producto
de RIDGID, por favor visita:
<http://register.RIDGID.com>

Your tile saw has been engineered and manufactured to our high standards for dependability, ease of operation, and operator safety. When properly cared for, it will give you years of rugged, trouble-free performance.

⚠ WARNING:

To reduce the risk of injury, the user must read and understand the operator's manual before using this product.

Thank you for buying a RIDGID® product.

SAVE THIS MANUAL FOR FUTURE REFERENCE

TABLE OF CONTENTS

■ Introduction	2
■ General Safety Rules.....	3-4
■ Specific Safety Rules.....	5
■ Symbols.....	6
■ Electrical.....	7-8
■ Features.....	9-10
■ Tools Needed.....	10
■ Loose Parts	11
■ Assembly.....	12-14
■ Operation.....	15-20
■ Adjustments.....	21
■ Maintenance.....	22
■ Warranty	23
■ Parts Ordering and Service	Back page

INTRODUCTION

This product has many features for making its use more pleasant and enjoyable. Safety, performance, and dependability have been given top priority in the design of this product making it easy to maintain and operate.

GENERAL SAFETY RULES

WARNING:

Read and understand all instructions. Failure to follow all instructions listed below, may result in electric shock, fire and/or serious personal injury.

READ ALL INSTRUCTIONS

- **KNOW YOUR POWER TOOL.** Read the operator's manual carefully. Learn the saw's applications and limitations as well as the specific potential hazards related to this tool.
- **GUARD AGAINST ELECTRICAL SHOCK BY PREVENTING BODY CONTACT WITH GROUNDED SURFACES.** For example, pipes, radiators, ranges, refrigerator enclosures.
- **KEEP GUARDS IN PLACE** and in good working order.
- **REMOVE ADJUSTING KEYS AND WRENCHES.** Form habit of checking to see that keys and adjusting wrenches are removed from tool before turning it on.
- **KEEP WORK AREA CLEAN.** Cluttered areas and benches invite accidents. **DO NOT** leave tools or pieces of tile on the saw while it is in operation.
- **DO NOT USE IN DANGEROUS ENVIRONMENTS.** Do not use power tools in damp or wet locations or expose to rain. Keep the work area well lit.
- **KEEP CHILDREN AND VISITORS AWAY.** All visitors should wear safety glasses and be kept a safe distance from work area. Do not let visitors contact tool or extension cord while operating.
- **MAKE WORKSHOP CHILDPROOF** with padlocks and master switches, or by removing starter keys.
- **DON'T FORCE TOOL.** It will do the job better and safer at the feed rate for which it was designed.
- **USE RIGHT TOOL.** Don't force the tool or attachment to do a job it was not designed for. Don't use it for a purpose not intended.
- **USE THE PROPER EXTENSION CORD.** Make sure your extension cord is in good condition. Use only a cord heavy enough to carry the current your product will draw. An undersized cord will cause a drop in line voltage resulting in loss of power and overheating. A wire gauge size (A.W.G.) of at least **14** is recommended for an extension cord 25 feet or less in length. If in doubt, use the next heavier gauge. The smaller the gauge number, the heavier the cord.
- **DRESS PROPERLY.** Do not wear loose clothing, gloves, neckties, or jewelry. They can get caught and draw you into moving parts. Rubber gloves and nonskid footwear (rubber soled boots) are recommended when working outdoors. Also wear protective hair covering to contain long hair.
- **ALWAYS WEAR SAFETY GLASSES WITH SIDE SHIELDS.** Everyday eyeglasses have only impact-resistant lenses, they are **NOT** safety glasses.
- **SECURE WORK.** Use clamps or a vise to hold work when practical, it is safer than using your hand and frees both hands to operate the tool.
- **DON'T OVERREACH.** Keep proper footing and balance at all times.
- **MAINTAIN TOOLS WITH CARE.** Keep tools sharp and clean for better and safer performance. Follow instructions for lubricating and changing accessories.
- **DISCONNECT TOOLS.** When not in use, before servicing, or when changing attachments, wheels, bits, cutters, etc., all tools should be disconnected.
- **AVOID ACCIDENTAL STARTING.** Be sure switch is off when plugging in any tool.
- **USE RECOMMENDED ACCESSORIES.** Consult the operator's manual for recommended accessories. The use of improper accessories may risk injury.
- **NEVER STAND ON TOOL.** Serious injury could occur if the tool is tipped or if the cutting tool is unintentionally contacted.
- **CHECK DAMAGED PARTS.** Before further use of the tool, a guard or other part that is damaged should be carefully checked to determine that it will operate properly and perform its intended function. Check for alignment of moving parts, binding of moving parts, breakage of parts, mounting and any other conditions that may affect its operation. A guard or other part that is damaged must be properly repaired or replaced by an authorized service center to avoid risk of personal injury.
- **USE THE RIGHT DIRECTION OF FEED.** Feed work into a wheel or cutter against the direction of rotation of wheel or cutter only.
- **NEVER LEAVE TOOL RUNNING UNATTENDED. TURN THE POWER OFF.** Don't leave tool until it comes to a complete stop.
- **PROTECT YOUR LUNGS.** Wear a face or dust mask if the cutting operation is dusty.
- **PROTECT YOUR HEARING.** Wear hearing protection during extended periods of operation.
- **DO NOT ABUSE CORD.** Never yank cord to disconnect from receptacle. Keep cord away from heat, oil, and sharp edges.
- **ALWAYS USE AN OUTDOOR EXTENSION CORD MARKED "W-A" OR "W".** These cords are rated for outdoor use and reduce the risk of electric shock.
- **ALWAYS KEEP THE WHEEL GUARD IN PLACE** and in working order.

GENERAL SAFETY RULES

- **KEEP HANDS AWAY FROM CUTTING AREA.** Keep hands away from wheels. Do not reach underneath work or around or over the wheel while wheel is rotating. Do not attempt to remove cut material when wheel is moving.
- **WHEEL COASTS AFTER BEING TURNED OFF.**
- **NEVER USE IN AN EXPLOSIVE ATMOSPHERE.** Normal sparking of the motor could ignite fumes.
- **INSPECT TOOL CORDS PERIODICALLY.** If damaged, have repaired by a qualified service technician at an authorized service facility. The conductor with insulation having an outer surface that is green with or without yellow stripes is the equipment-grounding conductor. If repair or replacement of the electric cord or plug is necessary, do not connect the equipment-grounding conductor to a live terminal. Repair or replace a damaged or worn cord immediately. Stay constantly aware of cord location and keep it well away from the rotating wheel.
- **INSPECT EXTENSION CORDS PERIODICALLY** and replace if damaged.
- **GROUND ALL TOOLS.** If tool is equipped with three-prong plug, it should be plugged into a three-hole electrical receptacle.
- **ONLY POWER THE TOOL WITH A GFCI (GROUND FAULT CIRCUIT INTERRUPTOR) PROTECTED OUTLET.**
- **CHECK WITH A QUALIFIED ELECTRICIAN** or service personnel if the grounding instructions are not completely understood or if in doubt as to whether the tool is properly grounded.
- **USE ONLY CORRECT ELECTRICAL DEVICES:** 3-wire extension cords that have 3-prong grounding plugs and 3-pole receptacles that accept the tool's plug.
- **DO NOT MODIFY** the plug provided. If it will not fit the outlet, have the proper outlet installed by a qualified electrician.
- **KEEP TOOL DRY, CLEAN, AND FREE FROM OIL AND GREASE.** Always use a clean cloth when cleaning. Never use brake fluids, gasoline, petroleum-based products, or any solvents to clean tool.
- **STAY ALERT AND EXERCISE CONTROL.** Watch what you are doing and use common sense. Do not operate tool when you are tired. Do not rush.
- **DO NOT USE TOOL IF SWITCH DOES NOT TURN IT ON AND OFF.** Have defective switches replaced by an authorized service center.
- **USE ONLY CORRECT WHEELS.** Do not use wheels with incorrect size holes. Never use washers or arbor nuts that are defective or incorrect. The maximum wheel capacity of your saw is 7 in. (178 mm).
- **BEFORE MAKING A CUT, BE SURE ALL ADJUSTMENTS ARE SECURE.**
- **NEVER TOUCH WHEEL** or other moving parts during use.
- **NEVER START A TOOL WHEN ANY ROTATING COMPONENT IS IN CONTACT WITH THE WORKPIECE.**
- **DO NOT OPERATE A TOOL WHILE UNDER THE INFLUENCE OF DRUGS, ALCOHOL, OR ANY MEDICATION.**
- **WHEN SERVICING** use only identical replacement parts. Use of any other parts may create a hazard or cause product damage.
- **USE ONLY RECOMMENDED ACCESSORIES** listed in this manual or addendums. Use of accessories that are not listed may cause the risk of personal injury. Instructions for safe use of accessories are included with the accessory.
- **DOUBLE CHECK ALL SETUPS.** Make sure wheel is tight and not making contact with saw or workpiece before connecting to power supply.

SPECIFIC SAFETY RULES

- **SECURE WORK** firmly against the miter guide or fence.
- **NEVER** stand or have any part of your body in line with the path of the wheel.
- **NEVER** attempt to free a stalled wheel without first turning the saw **OFF** and disconnecting the saw from the power source.
- **IF THE POWER SUPPLY CORD IS DAMAGED**, it must be replaced only by the manufacturer or by an authorized service center to avoid risk.
- **AVOID AWKWARD OPERATIONS AND HAND POSITIONS** where a sudden slip could cause your hand to move into the cutting tool.
- **MAKE SURE THE WORK AREA HAS AMPLE LIGHTING** to see the work and that no obstructions will interfere with safe operation **BEFORE** performing any work using the saw.
- **ALWAYS TURN OFF SAW** before disconnecting it, to avoid accidental starting when reconnecting to power supply.
- **THIS TOOL** should have the following markings:
 - a) Wear eye, hearing, and breathing protection.
 - b) Use wheel guard for every operation for which it can be used.
 - c) Disconnect saw before servicing, when changing cutting wheels, and cleaning.
 - d) Use tool only with smooth edge cutting wheels free of openings, grooves, and teeth.
 - e) Replace damaged cutting wheel before operating.
 - f) Do not fill water bath above water fill line.
- **SAVE THESE INSTRUCTIONS.** Refer to them frequently and use to instruct other users. If you loan someone this tool, loan them these instructions too.

WARNING:




Some dust created by power sanding, sawing, grinding, drilling, and other construction activities contains chemicals known to cause cancer, birth defects or other reproductive harm. Some examples of these chemicals are:

- lead from lead-based paints,
- crystalline silica from bricks and cement and other masonry products, and
- arsenic and chromium from chemically-treated lumber.







Your risk from these exposures varies, depending on how often you do this type of work. To reduce your exposure to these chemicals: work in a well ventilated area, and work with approved safety equipment, such as those dust masks that are specially designed to filter out microscopic particles.

SYMBOLS

The following signal words and meanings are intended to explain the levels of risk associated with this product.

SYMBOL	SIGNAL	MEANING
	DANGER:	Indicates an imminently hazardous situation, which, if not avoided, will result in death or serious injury.
	WARNING:	Indicates a potentially hazardous situation, which, if not avoided, could result in death or serious injury.
	CAUTION:	Indicates a potentially hazardous situation, which, if not avoided, may result in minor or moderate injury.
	CAUTION:	(Without Safety Alert Symbol) Indicates a situation that may result in property damage.

Some of the following symbols may be used on this tool. Please study them and learn their meaning. Proper interpretation of these symbols will allow you to operate the tool better and safer.

SYMBOL	NAME	DESIGNATION/EXPLANATION
	Safety Alert	Indicates a potential personal injury hazard.
	Read Operator's Manual	To reduce the risk of injury, user must read and understand operator's manual before using this product.
	Eye, Ear, & Breathing Protection	Always wear eye protection with side shields marked to comply with ANSI Z87.1 along with hearing and breathing protection.
	Wet Conditions Alert	Do not expose to rain or use in damp locations.
	No Hands	Failure to keep your hands away from the wheel will result in serious personal injury.
	Electrocution	Failure to properly ground can result in electrocution.
V	Volts	Voltage
A	Amperes	Current
Hz	Hertz	Frequency (cycles per second)
min	Minutes	Time
~	Alternating Current	Type of current
n ₀	No Load Speed	Rotational speed, at no load
.../min	Per Minute	Revolutions, strokes, surface speed, orbits etc., per minute

ELECTRICAL

EXTENSION CORDS

Use only 3-wire extension cords that have 3-prong grounding plugs and 3-pole receptacles that accept the tool's plug. When using a power tool at a considerable distance from the power source, use an extension cord heavy enough to carry the current that the tool will draw. An undersized extension cord will cause a drop in line voltage, resulting in a loss of power and causing the motor to overheat. Use the chart provided below to determine the minimum wire size required in an extension cord. Only round jacketed cords listed by Underwriter's Laboratories (UL) should be used.

**Ampere rating (on tool data plate)

Cord Length	Wire Size (A.W.G.)					
	0-2.0	2.1-3.4	3.5-5.0	5.1-7.0	7.1-12.0	12.1-16.0
25'	16	16	16	16	14	14
50'	16	16	16	14	14	12
100'	16	16	14	12	10	—

**Used on 12 gauge - 20 amp circuit.

NOTE: AWG = American Wire Gauge

Always use an extension cord that is designed for outside use. This is indicated by the letters "W-A" or "W" on the cord's jacket.

Before using an extension cord, inspect it for loose or exposed wires and cut or worn insulation.

Use only extension cords that are intended for outdoor use. These extension cords are identified by a marking "Acceptable for use with outdoor appliances; store indoors while not in use". Use only extension cords having an electrical rating not less than the rating of the product. Do not use damaged extension cords. Examine extension cord before using and replace if damaged. Do not abuse extension cords and do not yank on any cord to disconnect. Keep cord away from heat and sharp edges. Always disconnect the extension cord from the receptacle before disconnecting the product from the extension cord.

WARNING:

Keep the extension cord clear of the working area. Position the cord so that it will not get caught on lumber, tools or other obstructions while you are working with a power tool. Failure to do so can result in serious personal injury.

WARNING:

Check extension cords before each use. If damaged replace immediately. Never use tool with a damaged cord since touching the damaged area could cause electrical shock resulting in serious injury.

ELECTRICAL CONNECTION

This tool is powered by a precision built electric motor. It should be connected to a **power supply that is 120 V, AC only (normal household current), 60 Hz**. Do not operate this tool on direct current (DC). A substantial voltage drop will cause a loss of power and the motor will overheat. If the saw does not operate when plugged into an outlet, double check the power supply.

SPEED AND WIRING

The no-load speed of this tool is approximately 3,450 rpm. This speed is not constant and decreases under a load or with lower voltage. For voltage, the wiring in a shop is as important as the motor's horsepower rating. A line intended only for lights cannot properly carry a power tool motor. Wire that is heavy enough for a short distance will be too light for a greater distance. A line that can support one power tool may not be able to support two or three tools.

GROUNDING INSTRUCTIONS

See Figure 1.

This tool must be grounded. In the event of a malfunction or breakdown, grounding provides a path of least resistance for electric current to reduce the risk of electric shock. This tool is equipped with an electric cord having an equipment-grounding conductor and a grounding plug. The plug must be plugged into a matching outlet that is properly installed and grounded in accordance with all local codes and ordinances. Do not modify the plug provided. If it will not fit the outlet, have the proper outlet installed by a qualified electrician.

WARNING:

Improper installation of the grounding plug can result in a risk of electric shock. When repair or replacement of the cord is required, do not connect the grounding wire to either flat blade terminal. The wire with insulation having an outer surface that is green with or without yellow stripes is the grounding wire.

Check with a qualified electrician or service personnel if the grounding instructions are not completely understood, or if in doubt as to whether the tool is properly grounded.

Repair or replace a damaged or worn cord immediately.

This product is for use on a nominal 120 volt circuit and has a grounding plug similar to the plug illustrated in figure 1. Only connect the product to an outlet having the same configuration as the plug. Do not use an adapter with this product.

Ground Fault Circuit Interrupter (GFCI) protection should be provided on the circuit(s) or outlet(s) to be used for the tile saw. Outlets are available having built-in GFCI protection and may be used for this measure of safety.

ELECTRICAL

If the saw is used with an extension cord, ensure the connection of the tool's power cord and the extension cord are not on the ground.

If a protected outlet is not available, do not use the saw until an outlet can be changed or auxiliary protection can be obtained. These auxiliary protection devices are available at your local retailer.

POSITION OF THE TILE SAW

See Figure 2.

To avoid the possibility of the tool plug or outlet getting wet, position tile saw to one side of a wall-mounted outlet to prevent water from dripping onto the outlet or plug. The operator should arrange a "drip loop" in the cord connecting the saw to the outlet. The "drip loop" is that part of the cord below the level of the outlet, or the connector if an extension cord is used, to prevent water traveling along the cord and coming in contact with the outlet.

If the plug or outlet does get wet, DO NOT unplug the cord. Disconnect the fuse or circuit breaker that supplies power to the tool then unplug and examine for the presence of water in the outlet.

WARNING:

To reduce the risk of electrocution, keep all connections dry and off the ground. Do not touch the plug with wet hands.

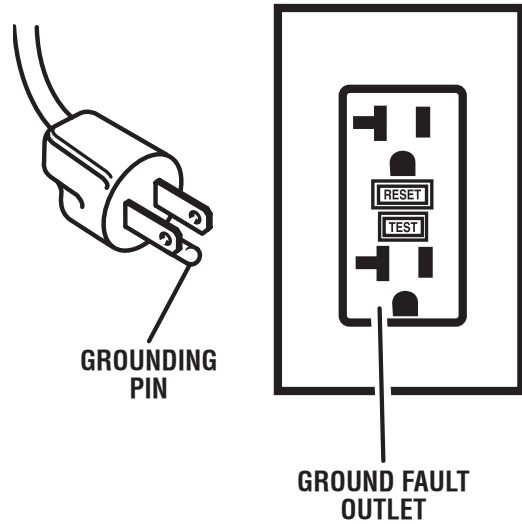


Fig. 1

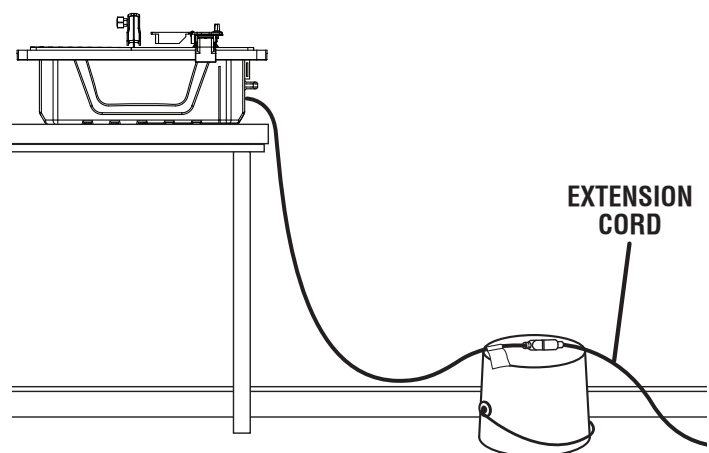
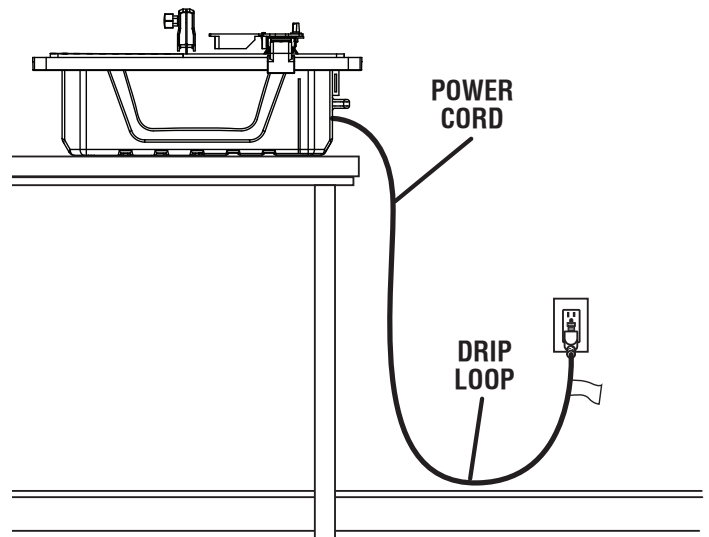


Fig. 2

FEATURES

PRODUCT SPECIFICATIONS

Wheel Diameter	7 in.	Diagonal Capacity (tile size)	12 in.
Wheel Arbor	5/8 in.	Maximum Depth of Cut	1-1/4 in.
Rip Capacity (tile size)	18 in.	Rating	120 V~, 6.5 Amps, 60 Hz
		No Load Speed	3,450 r/min. (RPM)

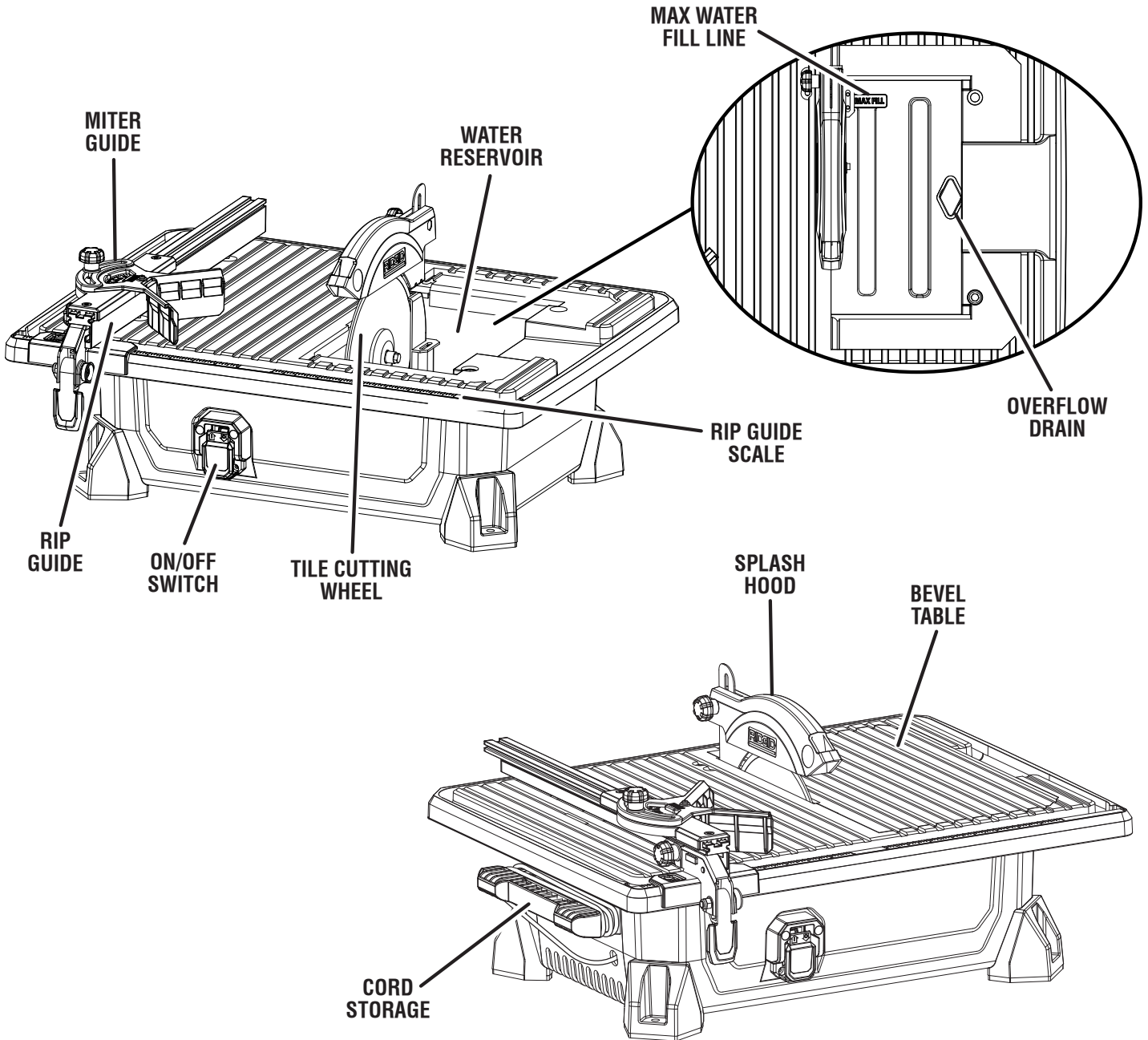


Fig. 3

FEATURES

KNOW YOUR TILE SAW

See Figure 3.

The safe use of this product requires an understanding of the information on the tool and in this operator's manual as well as a knowledge of the project you are attempting. Before use of this product, familiarize yourself with all operating features and safety rules.

7 in. TILE CUTTING WHEEL - A 7 in. tile cutting wheel is included with your saw.

WARNING:

Do not use wheels rated less than the speed of this tool. Failure to heed this warning could result in personal injury.

BEVEL TABLE - Beveled 22.5° and 45° cuts can be made using the bevel table.

MITER GUIDE - The easy-to-read indicator on the miter guide shows the exact angle for the desired cut.

MOTOR - This machine has a strong motor with sufficient power to handle tough cutting jobs.

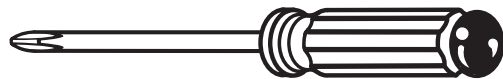
ON/OFF SWITCH - This saw has an easy access on/off switch located below the front rail.

RIP GUIDE - Rip guide is fully adjustable for making cross cuts and using the miter guide.

SPLASH HOOD - The splash hood helps contain overspray and mist.

TOOLS NEEDED

The following tools (not included or drawn to scale) are needed for assembly and alignment:



PHILLIPS SCREWDRIVER



5/16 in. HEX KEY



10 mm WRENCH

Fig. 4

LOOSE PARTS

Most of the Loose Parts shown below are stored in the water reservoir:

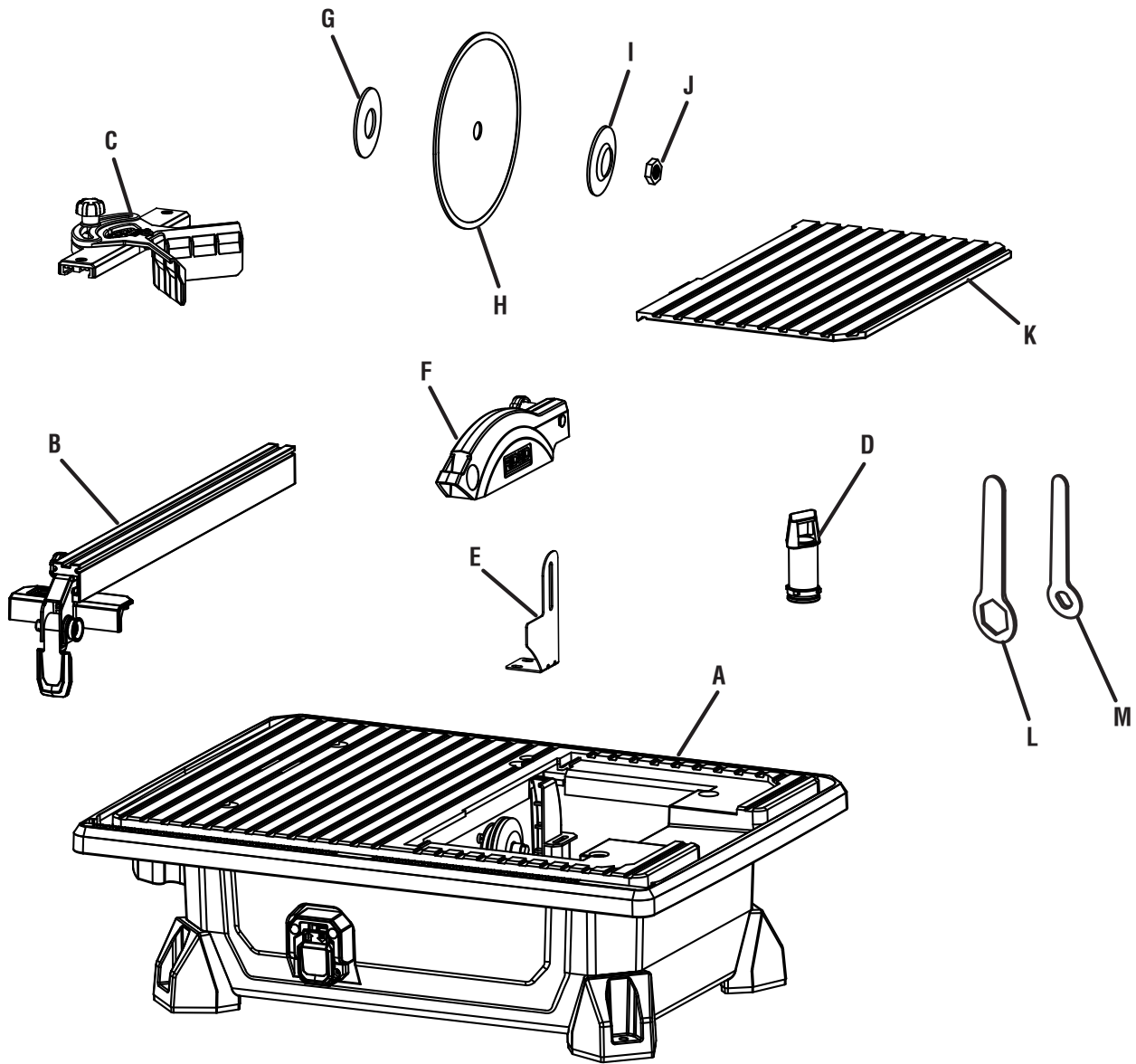


Fig. 5

A - Tile saw.....1	H - Cutting wheel1
B - Rip guide1	I - Outer washer1
C - Miter guide1	J - Arbor nut.....1
D - Overflow drain1	K - Bevel table.....1
E - Splash hood bracket1	L - Wheel wrench.....1
F - Splash hood assembly1	M- Arbor wrench1
G - Inner washer1	

ASSEMBLY

UNPACKING

See Figure 5.

This product requires assembly.

- Carefully lift the saw from the carton and place on a level work surface.

WARNING:

Do not use this product if any parts on the Loose Parts List are already assembled to your product when you unpack it. Parts on this list are not assembled to the product by the manufacturer and require customer installation. Use of a product that may have been improperly assembled could result in serious personal injury.

- Inspect the tool carefully to make sure no breakage or damage occurred during shipping.
- Do not discard the packing material until you have carefully inspected and satisfactorily operated the tool.

NOTE: Most the Loose Parts are stored in the water reservoir.

- The saw is factory set for accurate cutting. After assembling it, check for accuracy. If shipping has influenced the settings, refer to specific procedures explained in this manual.
- If any parts are damaged or missing, please call 1-866-539-1710 for assistance.

WARNING:

If any parts are damaged or missing do not operate this tool until the parts are replaced. Use of this product with damaged or missing parts could result in serious personal injury.

WARNING:

Do not attempt to modify this tool or create accessories not recommended for use with this tool. Any such alteration or modification is misuse and could result in a hazardous condition leading to possible serious personal injury.

WARNING:

Do not connect to power supply until assembly is complete. Failure to comply could result in accidental starting and possible serious personal injury.

MOUNTING HOLES

The tile saw can be mounted to a firm supporting surface such as a workbench. Four bolt holes have been provided in the saw's base for this purpose. Each of the four mounting holes should be bolted securely using 3/8 in. machine bolts, lock washers, and hex nuts (not included). Bolts should be of

sufficient length to accommodate the saw base, lock washers, hex nuts, and the thickness of the workbench. Tighten all four bolts securely.

Carefully check the workbench after mounting to make sure that no movement can occur during use. If any tipping, sliding, or walking is noted, secure the workbench to the floor before operating.

TILE CUTTING WHEEL

For maximum performance and safety, it is recommended that you use the 7 in. cutting wheel provided with your saw. Additional cutting wheels of the same high quality are available at your local dealer.

WARNING:

Do not use cutting wheels rated less than the no load speed of this tool. Failure to heed this warning could result in personal injury. Do not use wheel with cracks, gaps, or teeth.

INSTALLING THE TILE CUTTING WHEEL

See Figure 6.

WARNING:

A 7 in. tile cutting wheel is the maximum wheel capacity of the saw. Never use a wheel that is too thick to allow wheel washer to engage with the flats on the spindle. Larger wheels will come in contact with the splash hood, while thicker wheels will prevent the wheel bolt from securing the wheel on the spindle. Either of these situations could result in a serious accident and can cause serious personal injury.

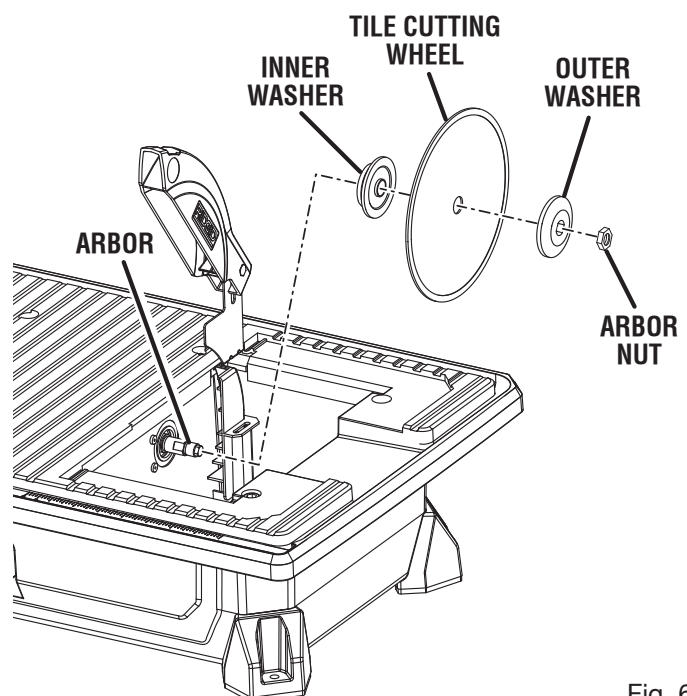


Fig. 6

ASSEMBLY

- Unplug the saw and remove the bevel table.
- Place the wheel wrench on the arbor nut then slide the arbor wrench onto the arbor.
- Holding the arbor wrench firmly to prevent the wheel from moving, pull the wrench (left side) forward to the front of the machine to loosen.
- Remove the arbor nut and outer washer leaving the inner washer on the arbor.

WARNING:

Always install the inner wheel washer before placing wheel on arbor. Failure to do so could cause an accident since the wheel will not tighten properly. Never use wheels that have openings, grooves, or teeth on this tool.

- Place the cutting wheel onto arbor with the arrows on wheel going in the counterclockwise direction.
- Replace the outer washer. The double “D” flats on the washers align with the flats on the arbor.
- Replace the arbor nut on the arbor. Using wheel wrench and arbor wrench, tighten arbor nut securely.

INSTALLING THE SPLASH HOOD

See Figure 7 - 8.

- Remove the bevel table.
- Loosen and remove the screws.
- Slide the L-shaped splash hood bracket into the lip under the table behind the cutting wheel.
- Reinstall the screws through the table and into the splash hood bracket. Tighten securely.

NOTE: Align the hood bracket with the cutting wheel so that it does not interfere with the material being cut.

- Slide the splash hood over the bracket and align the holes in splash hood with the slot in the splash hood bracket.
- Insert the hex bolt through hood and bracket. Thread the splash hood knob onto the bolt and tighten to the desired height.

NOTE: Always adjust the splash hood horizontally to the table and slightly above tile thickness. Hood should not touch the tile.

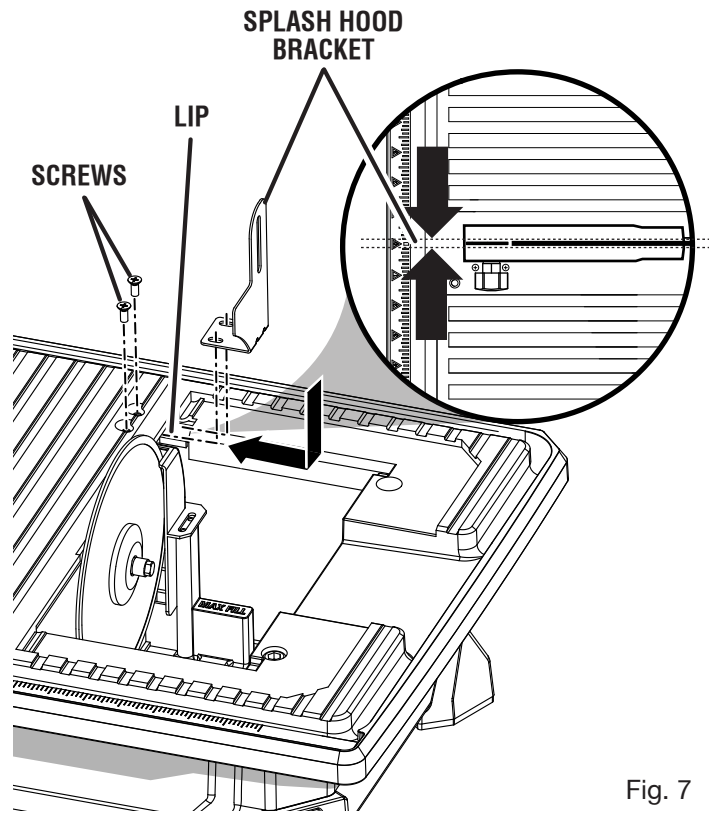


Fig. 7

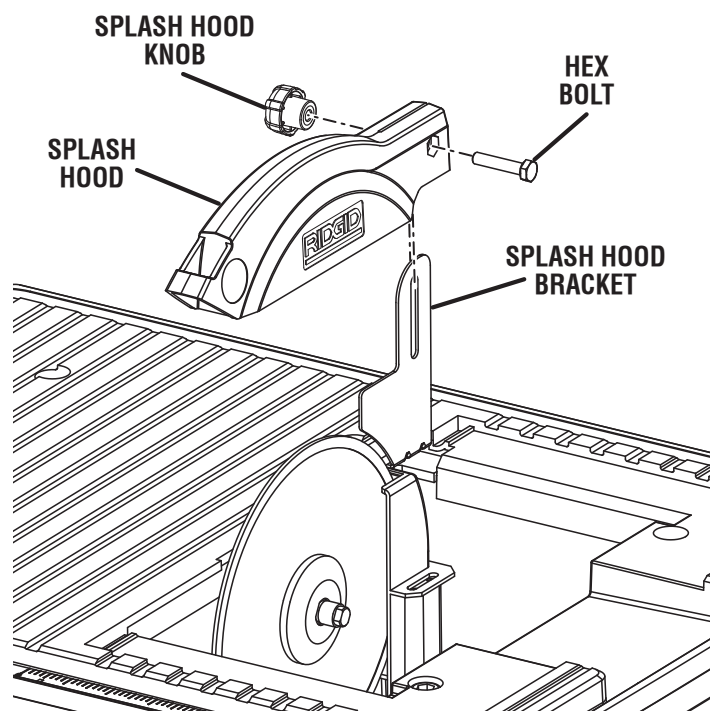


Fig. 8

ASSEMBLY

INSTALLING THE RIP GUIDE

See Figure 9.

- Place the front of the rip guide on the front rail of the saw table.
- Lower the back of the rip guide to the saw table.
- Use the rip guide scale, located on front of the table, to set the rip guide to the desired width of cut.
- Push the locking lever down to secure to the saw table. When securely locked, the locking lever should point downward.

INSTALLING THE MITER GUIDE

See Figure 9.

- Align the grooves under the miter guide with the grooves in the top of the rip guide.
- Push the miter guide onto the rip guide to the desired operating position.

NOTE: Slide the guide off the rip guide to remove.

INSTALLING THE OVERFLOW DRAIN

See Figure 10.

- Firmly push the overflow drain into the hole in the bottom of the water fill reservoir.

FILLING/CHANGING THE WATER RESERVOIR

See Figure 11.

- Fill the water reservoir with clean tap water to the fill line.
- NOTE:** The overflow drain prevents overfilling.

To change reservoir water:

- Unplug the saw.
- Remove the overflow drain and empty waste water into a bucket. Do not allow the water to splash onto the ground or around the machine.
- Rinse the machine thoroughly.
- Discard the waste water in accordance with local regulations.
- Replace with clean water.

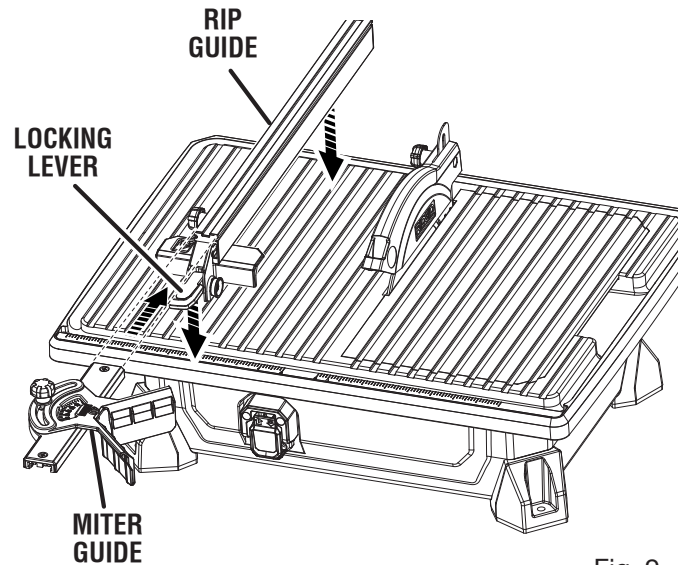


Fig. 9

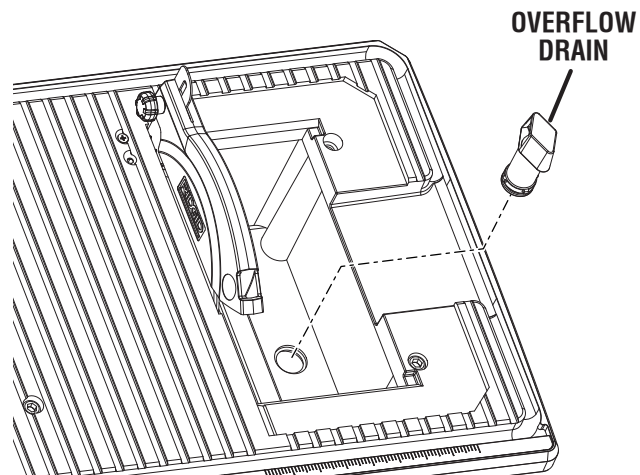


Fig. 10

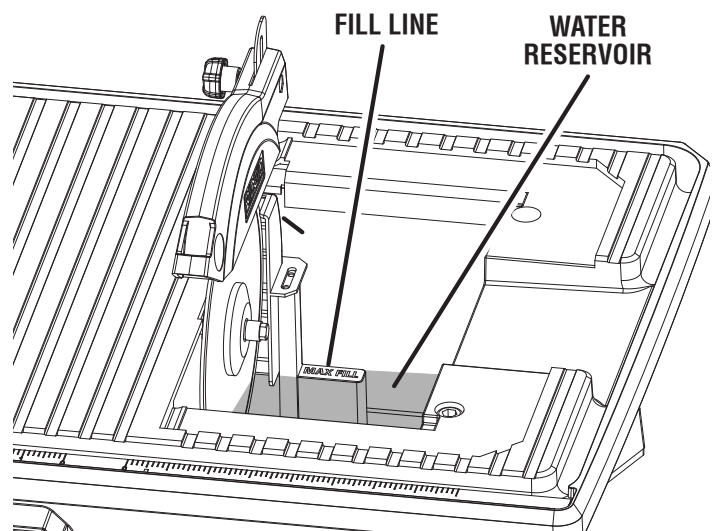


Fig. 11

OPERATION

WARNING:

Do not allow familiarity with tools to make you careless. Remember that a careless fraction of a second is sufficient to inflict serious injury.

WARNING:

Always wear eye protection with side shields marked to comply with ANSI Z87.1. Failure to do so could result in objects being thrown into your eyes, resulting in possible serious injury.

WARNING:

Do not use any attachments or accessories not recommended by the manufacturer of this tool. The use of attachments or accessories not recommended can result in serious personal injury.

APPLICATIONS

You may use this tool for the purposes listed below:

- Straight line cutting operations such as cross cutting, mitering, ripping, and beveling

NOTE: This saw is designed to cut man-made tile, pavers, and stone tile products only.

ON/OFF SWITCH

See Figure 12.

This saw is equipped with an on/off switch that has a built-in locking feature. This feature is intended to prevent unauthorized and possible hazardous use by children and others.

To turn the saw on:

- Lift the switch to turn **ON**.

To turn the saw off:

- Press the switch down to turn **OFF**.

To lock the saw:

- With the saw turned **OFF**, install a padlock (not included) through the hole in the switch.

WARNING:

In the event of a power failure or when the tool is not in use, turn the switch **OFF**. This action will prevent the tool from accidentally starting when power returns.

WARNING:

ALWAYS make sure your workpiece is not in contact with the cutting wheel before operating the switch to start the tool. Failure to heed this warning may cause the workpiece to be kicked back toward the operator and result in serious personal injury.

WARNING:

To reduce the risk of accidental starting, **ALWAYS** make sure the switch is in the **OFF** position before plugging tool into the power source.

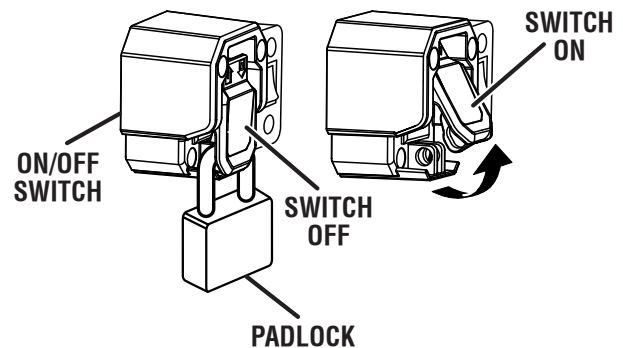


Fig. 12

OPERATION

USING THE RIP GUIDE

See Figure 13.

The rip guide can be used on either the left or the right side of the cutting wheel. The flat side of the rip guide must always be facing the cutting wheel. The locking lever assembly can be repositioned for either side of the rip guide.

- Place the rip guide in the desired position using the rip guide scale located on front of the saw table.
- Push the locking lever down to secure to the saw table. When securely locked, the locking lever should point downward.

To move the locking lever assembly:

- Unlock the rip guide and remove the guide from the saw table.
- Remove the miter guide from the rip guide.
- Loosen the lever assembly knob until the locking lever assembly can be removed.
- Turn the rip guide around until the flat side of the rip guide is facing the cutting wheel.
- Place the screw in the slot on the top of the locking lever assembly.

NOTE: The flat washer should be against the bottom of the lever assembly knob.

- Tighten the lever assembly knob securely.

USING THE MITER GUIDE

See Figure 14.

To adjust angles:

- Attach the miter guide to the rip guide.
- Loosen the lock knob and move the miter guide to the desired position.
- Tighten securely the lock knob.

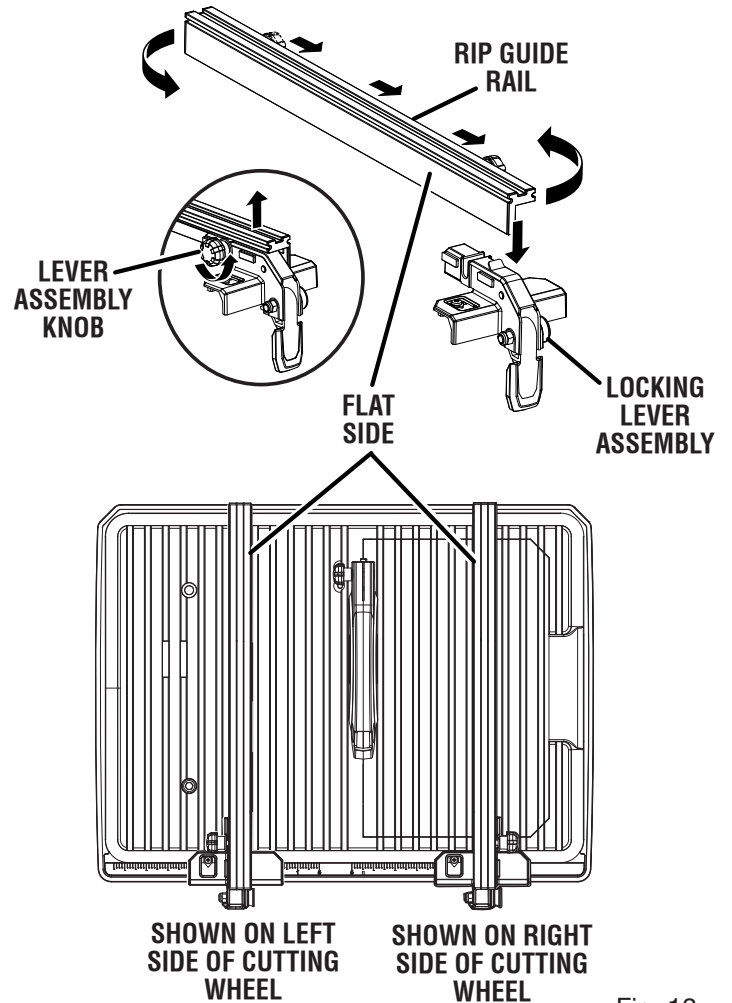


Fig. 13

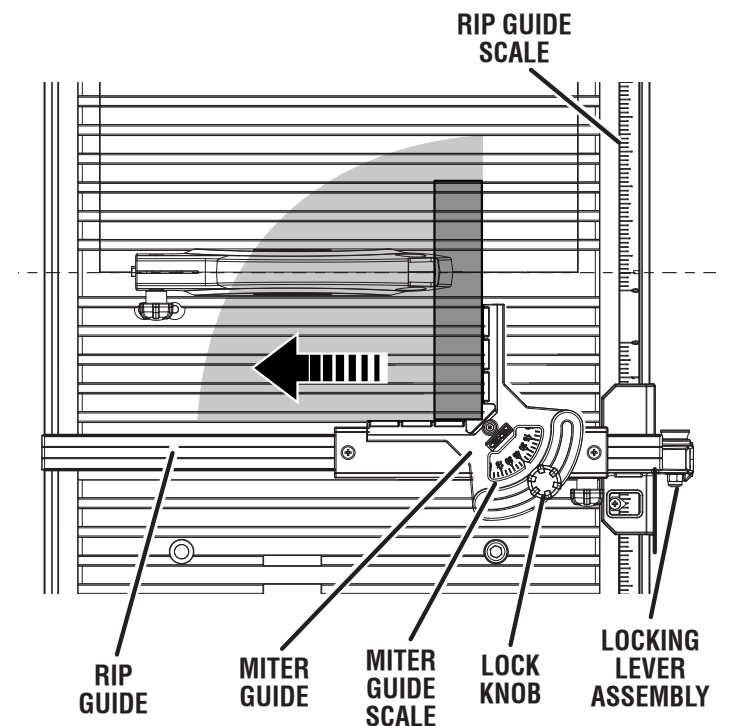


Fig. 14

OPERATION

MAKING CUTS

Always draw the line to be cut on the tile using a marker or grease pencil. If the tile is shiny and hard-to-mark, place masking tape on the tile and mark the tape.

A common problem when cutting tile is straying from the marked line. Once you've strayed from the mark, you can not force the wheel back to the line by twisting the tile. Instead, back up and recut the tile slicing off a small amount of tile until the wheel is back on track.

To avoid this problem, use the rip guide when making cross cuts, the miter guide for miter cuts and the bevel table for making bevel cuts, whenever possible.

Another problem is cutting difficult material. To prevent chipping of the material at the end of the cut: first cut 1-1/2 in. of the material then turn off the saw; flip the material around 180° and make the cut.

Clean the saw table, rip and miter guides, and bevel table frequently during use. Debris from the cut material can interfere with tool function.

TO MAKE A CROSS CUT

See Figure 15.

Cross cuts are straight 90° cuts. The material is fed into the cut at a 90° angle to the wheel.

- Using a marker or grease pencil, mark the area to be cut on material.
- Remove the miter guide.
- Position the rip guide the desired distance from the wheel for the cut and securely lock the lever.
- Place the material on the table and firmly against the rip guide.
- Make sure the material is clear of the cutting wheel before turning on the saw.
- Turn the on/off switch to the **ON** position.
- Let the cutting wheel build up to full speed and wait for the wheel to get wet before moving the material into the wheel.
- Hold the material firmly against the rip guide and feed the material into the cutting wheel.
- When the cut is made, turn the saw **OFF**. Wait for the cutting wheel to come to a complete stop before removing any part of the material.

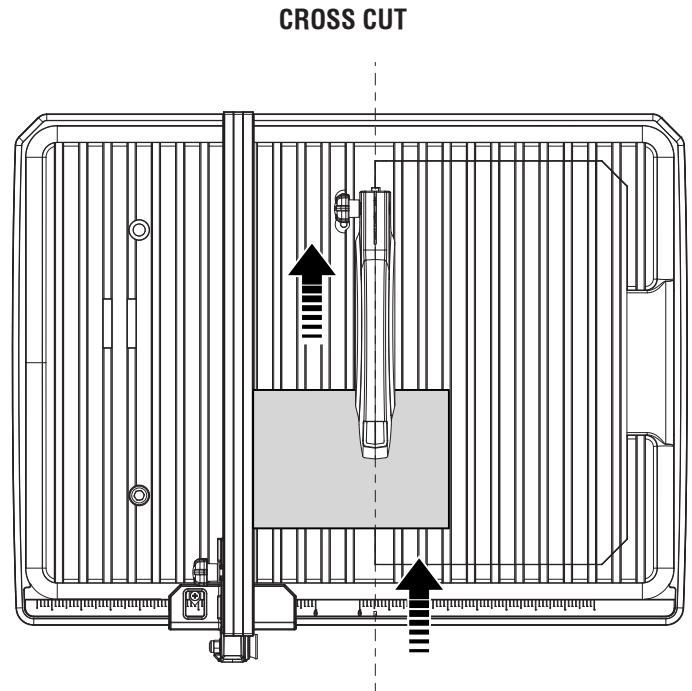


Fig. 15

OPERATION

TO MAKE A 45° DIAGONAL CUT

See Figure 16.

45° Diagonal cuts are also referred to as “long point-to-long point cuts”.

- Using a marker or grease pencil, mark the area to be cut on material.
- Install the miter guide.
- Adjust miter guide to 45° using angle scale and tighten securely with lock knob.
- Position the rip guide the desired distance from the wheel for the cut and securely lock the lever.
- Place the material on the table and firmly against the rip guide.
- Make sure the material is clear of the cutting wheel before turning on the saw.
- Turn the on/off switch to the **ON** position.
- Let the cutting wheel build up to full speed and wait for the wheel to get wet before moving the material into the wheel.
- Hold the material firmly against the miter guide and slide miter guide along rip guide. Feed the material into the cutting wheel.
- When the cut is made, turn the saw **OFF**. Wait for the cutting wheel to come to a complete stop before removing any part of the material.

TO MAKE A MITER CUT

See Figure 17.

Miter cuts are used for cutting outside and inside corners on material, decorative chair rail, and base molding with the material at any angle to the wheel other than 90°. Miter cuts tend to “creep” during cutting. This can be controlled by holding the workpiece securely against the miter guide.

- Using a marker or grease pencil, mark the area to be cut on material.
- Install the miter guide.
- Position the rip guide the desired distance from the wheel for the cut and securely lock the lever.
- Set the miter guide to desired angle using the miter guide scale, and tighten securely with lock knob.
- Place the material on the table and firmly against the rip guide.
- Make sure the material is clear of the cutting wheel before turning on the saw.
- Turn the on/off switch to the **ON** position.
- Let the cutting wheel build up to full speed and wait for the wheel to get wet before moving the material into the wheel.

DIAGONAL CUT

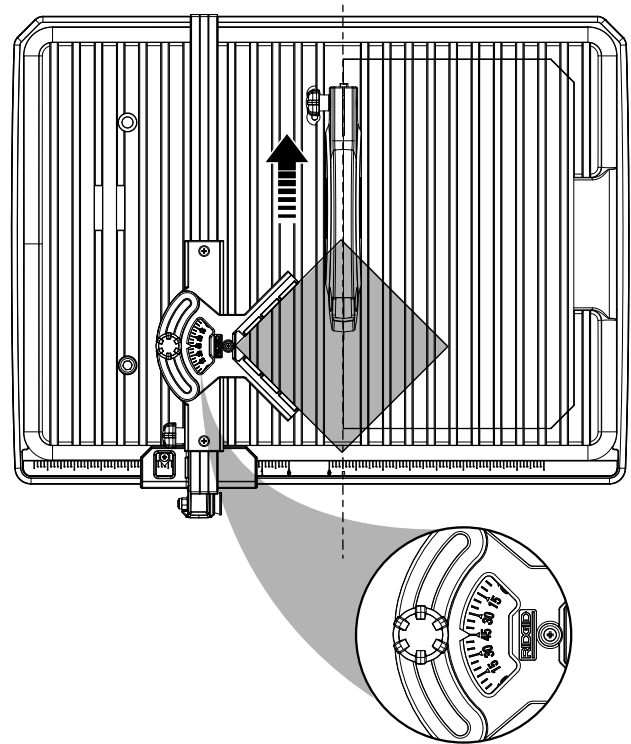


Fig. 16

MITER CUT

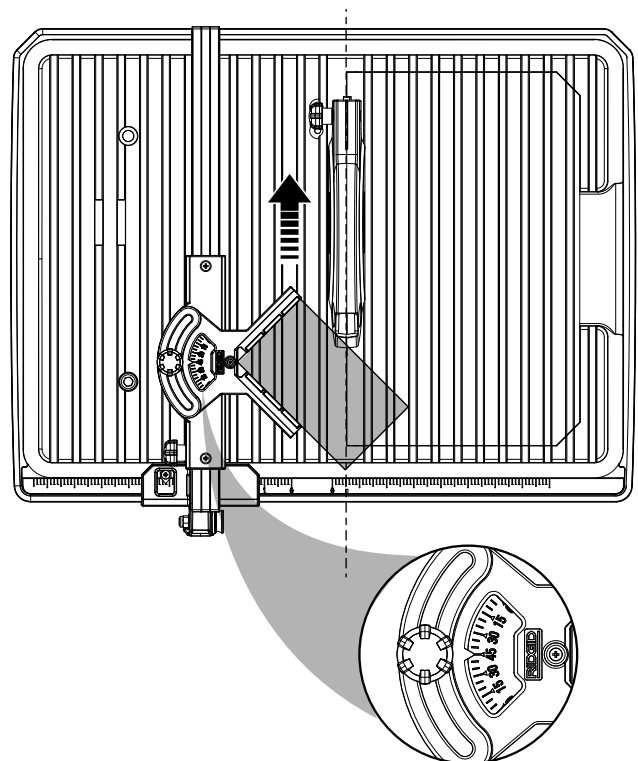


Fig. 17

OPERATION

- Hold the material firmly against the miter guide and slide miter guide along rip guide. Feed the material into the cutting wheel.
- When the cut is made, turn the saw **OFF**. Wait for the cutting wheel to come to a complete stop before removing any part of the material.

TO MAKE AN L-CUT

See Figure 18.

L-cuts are cuts that remove a piece of tile to fit in a corner, around a cabinet, or a piece of molding and are made by two separate cuts.

NOTE: Only overcut on the bottom or underneath side of the material being cut.

- Using a marker or grease pencil, mark the area to be cut on material.
- Remove the miter guide.
- Position the rip guide the desired distance from the wheel for the cut and securely lock the lever.
- Place the material on the table and firmly against the rip guide.
- Make sure the material is clear of the cutting wheel before turning on the saw.
- Turn the on/off switch to the **ON** position.
- Let the cutting wheel build up to full speed and wait for the wheel to get wet before moving the material into the wheel.
- Hold the material firmly against the rip guide and feed the material into the cutting wheel.
- Make the cut far enough into the material without overcutting.
- When the cut is made, turn the saw **OFF**. Wait for the cutting wheel to come to a complete stop before removing any part of the material.
- Turn the material, adjust the rip guide, and make the second cut along one of the marks. This time overcut the other line and the cut piece should separate from the rest of the material.
- When the second cut is made, turn the saw **OFF**. Wait for the cutting wheel to come to a complete stop before removing any part of the material.

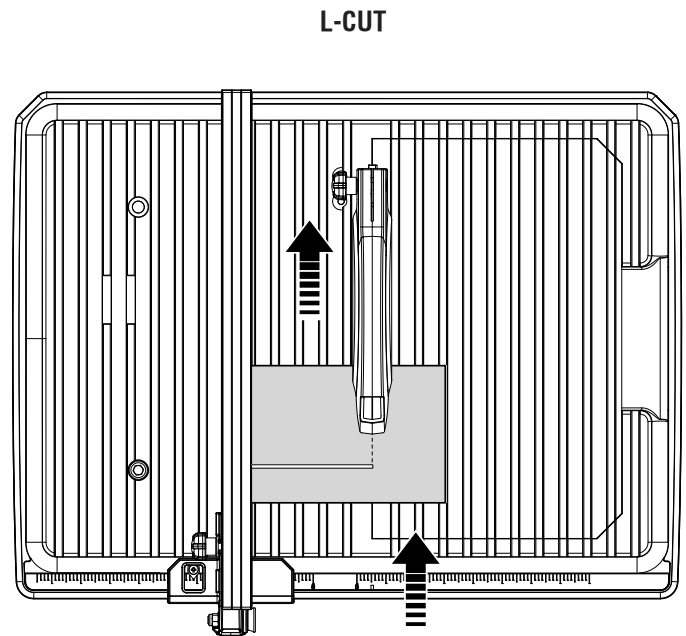


Fig. 18

OPERATION

TO MAKE A BEVEL CUT

See Figures 19 - 20.

Beveled 22.5° and 45° cuts can be made using the bevel table.

- Using a marker or grease pencil, mark the area to be cut on material.
- Remove the rip guide.
- Tilt the bevel table.
- On underside of bevel table, pull down the table legs into right angles of the plate.
 - Use first notches in legs to rest plate into 22.5° angle.
 - Use second set of notches to angle bevel table into highest 45° angle.

NOTE: Make sure bevel table is locked firmly in place before beginning cut

- Turn the on/off switch to the **ON** position.
- Let the cutting wheel build up to full speed and wait for the wheel to get wet before moving the material into the wheel.
- Hold the material firmly against the bevel table and feed the material into the cutting wheel.
- When the cut is made, turn the saw **OFF**. Wait for the cutting wheel to come to a complete stop before removing any part of the material.

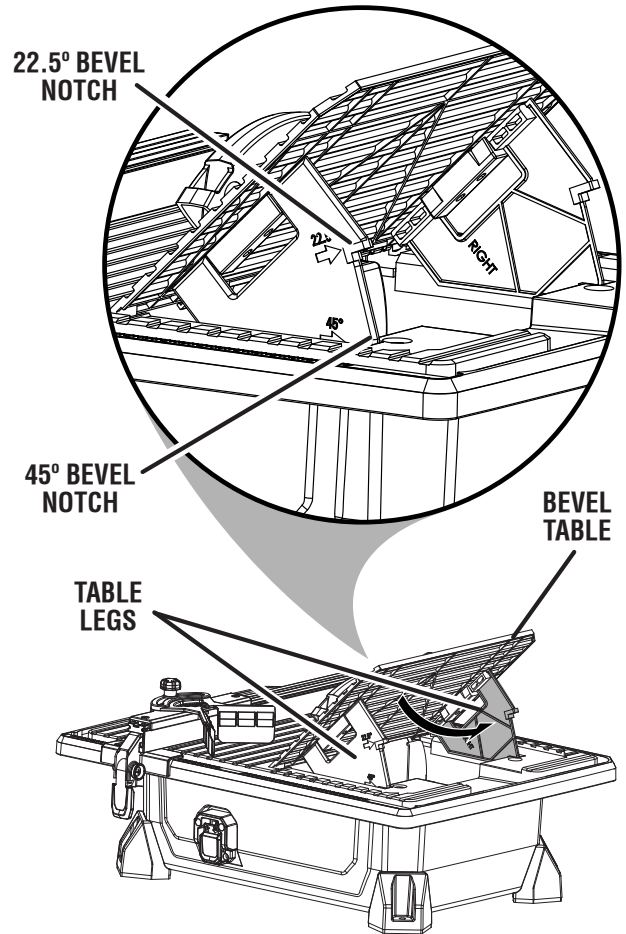


Fig. 19

BEVEL CUT

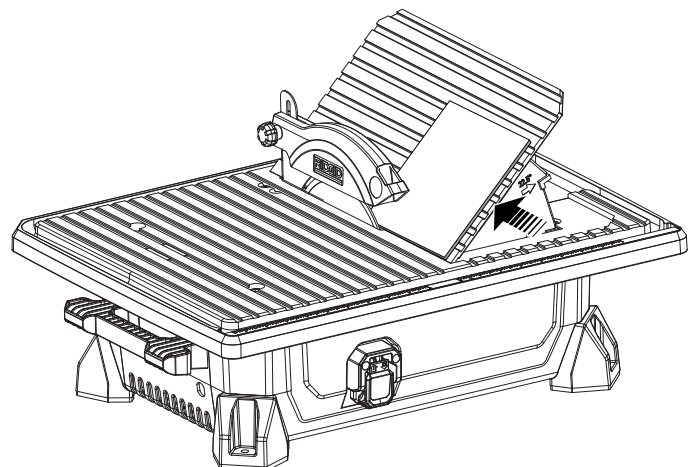


Fig. 20

ADJUSTMENT

⚠ WARNING:

Before performing any adjustment, make sure the tool is unplugged from the power supply and the switch is in the OFF position. Failure to heed this warning could result in serious personal injury.

The saw has been adjusted at the factory for making very accurate cuts. However, some of the components might have been jarred out of alignment during shipping. Also, over a period of time, readjustment will probably become necessary due to wear.

Do not start any adjustments until you have checked with a square and made test cuts to be sure adjustments are needed.

TO SQUARE THE CUTTING WHEEL TO THE TABLE

See Figure 21.

Do not loosen any bolts for this adjustment until you have checked with a square and made test cuts to be sure adjustments are necessary. Once the bolts are loosened, these items must be reset.

- Unplug the saw.
- Remove the bevel table.
- Lift and remove the caps covering the four hex bolts.
- Using a hex key, loosen hex bolts on the saw table.
- Place a framing square against the rip guide and the flat part of the wheel.
- Move the saw table until the fence is square with the cutting wheel.
- Tighten the hex bolts securely and replace caps.

TO ADJUST CAM ON LOCKING LEVER ASSEMBLY

See Figure 22.

Over time, the rip guide may become loose. If the rip guide does not lock securely to the saw table, adjustments may be required.

- Unplug the saw.
- Remove the locking lever assembly from the rip guide.
- Using a wrench and screwdriver, loosen and remove the screw and nut securing the cam to the lever assembly.
- Pull the cam out slightly and rotate the cam one tooth then align the teeth in the cam with the slots in the side of the locking lever.
- Reinstall the screw and nut. Tighten securely.

NOTE: If the rip guide is still loose, repeat the above steps as needed.

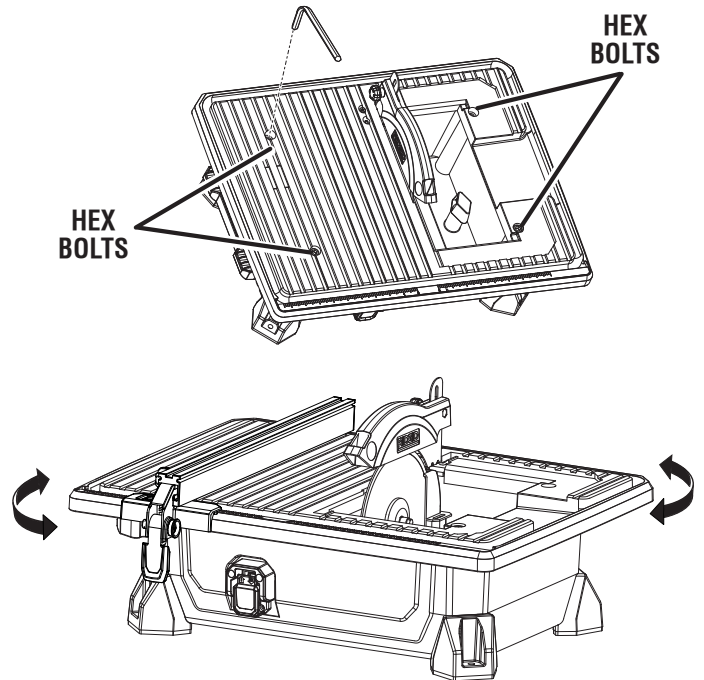


Fig. 21

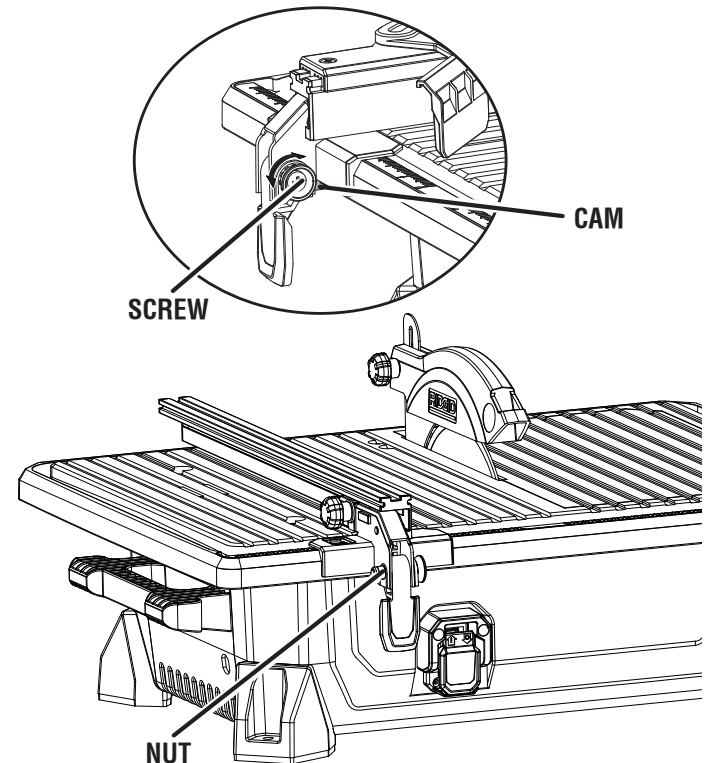


Fig. 22

MAINTENANCE

 **WARNING:**

When servicing, use only identical RIDGID replacement parts. Use of any other parts may create a hazard or cause product damage.

 **WARNING:**

Always wear eye protection with side shields marked to comply with ANSI Z87.1 during product operation. If operation is dusty, also wear a dust mask.

GENERAL MAINTENANCE

Avoid using solvents when cleaning plastic parts. Most plastics are susceptible to damage from various types of commercial solvents and may be damaged by their use. Use clean cloths to remove dirt, dust, oil, grease, etc.

 **WARNING:**

Do not at any time let brake fluids, gasoline, petroleum-based products, penetrating oils, etc., come in contact with plastic parts. Chemicals can damage, weaken or destroy plastic which may result in serious personal injury.

LUBRICATION

All of the bearings in this tool are lubricated with a sufficient amount of high grade lubricant for the life of the unit under normal operating conditions.

CLEANING THE RIP AND MITER GUIDES

During use, the rip and miter guides will become dirty preventing the guides from sliding smoothly. It is important to clean the saw often.

CLEANING THE SAW

- Unplug the saw.
- Remove the guides and bevel table from the saw.
- Using a small brush and/or water, clean each piece thoroughly removing any trapped debris.
- Remove the overflow drain and empty waste water into a bucket. Do not allow the water to splash onto the ground or around the machine.
- Rinse the machine thoroughly.
- Discard the waste water in accordance with local regulations.
- Replace the drain plug. Tighten securely.
- Dry off the tool.

WARRANTY

RIDGID® HAND HELD AND STATIONARY POWER TOOL 3 YEAR LIMITED SERVICE WARRANTY

Proof of purchase must be presented when requesting warranty service.

Limited to RIDGID® hand held and stationary power tools purchased 2/1/04 and after. This product is manufactured by One World Technologies, Inc. The trademark is licensed from RIDGID®, Inc. All warranty communications should be directed to One World Technologies, Inc., attn: RIDGID® Hand Held and Stationary Power Tool Technical Service at (toll free) 1-866-539-1710.

90-DAY SATISFACTION GUARANTEE POLICY

During the first 90 days after the date of purchase, if you are dissatisfied with the performance of this RIDGID® Hand Held and Stationary Power Tool for any reason you may return the tool to the dealer from which it was purchased for a full refund or exchange. To receive a replacement tool you must present proof of purchase and return all original equipment packaged with the original product. The replacement tool will be covered by the limited warranty for the balance of the 3 YEAR service warranty period.

WHAT IS COVERED UNDER THE 3 YEAR LIMITED SERVICE WARRANTY

This warranty on RIDGID® Hand Held and Stationary Power Tools covers all defects in workmanship or materials and normal wear items such as brushes, chucks, motors, switches, cords, gears and even cordless batteries in this RIDGID® tool for three years following the purchase date of the tool. Warranties for other RIDGID® products may vary.

HOW TO OBTAIN SERVICE

To obtain service for this RIDGID® tool you must return it; freight prepaid, or take it in to an authorized service center for RIDGID® branded hand held and stationary power tools. You may obtain the location of the authorized service center nearest you by calling (toll free) 1-866-539-1710 or by logging on to the RIDGID® website at www.ridgid.com. When requesting warranty service, you must present the original dated sales receipt. The authorized service center will repair any faulty workmanship, and either repair or replace any part covered under the warranty, at our option, at no charge to you.

WHAT IS NOT COVERED

This warranty applies only to the original purchaser at retail and may not be transferred. This warranty only covers defects arising under normal usage and does not cover any malfunction, failure or defect resulting from misuse, abuse, neglect, alteration, modification or repair by other than an authorized service center for RIDGID® branded hand held and stationary power tools. Consumable accessories provided with the tool such as, but not limited to, blades, bits and sand paper are not covered.

RIDGID®, INC. AND ONE WORLD TECHNOLOGIES, INC. MAKE NO WARRANTIES, REPRESENTATIONS OR PROMISES AS TO THE QUALITY OR PERFORMANCE OF ITS POWER TOOLS OTHER THAN THOSE SPECIFICALLY STATED IN THIS WARRANTY.

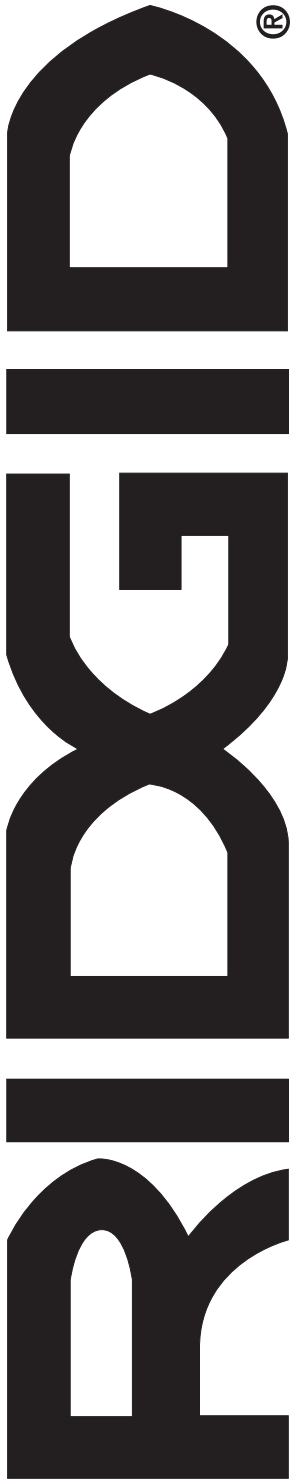
ADDITIONAL LIMITATIONS

To the extent permitted by applicable law, all implied warranties, including warranties of MERCHANTABILITY or FITNESS FOR A PARTICULAR PURPOSE, are disclaimed. Any implied warranties, including warranties of merchantability or fitness for a particular purpose, that cannot be disclaimed under state law are limited to three years from the date of purchase. One World Technologies, Inc. and RIDGID®, Inc. are not responsible for direct, indirect, incidental or consequential damages. Some states do not allow limitations on how long an implied warranty lasts and/or do not allow the exclusion or limitation of incidental or consequential damages, so the above limitations may not apply to you. This warranty gives you specific legal rights, and you may also have other rights which vary from state to state.

One World Technologies, Inc.

P.O. Box 35, Hwy. 8

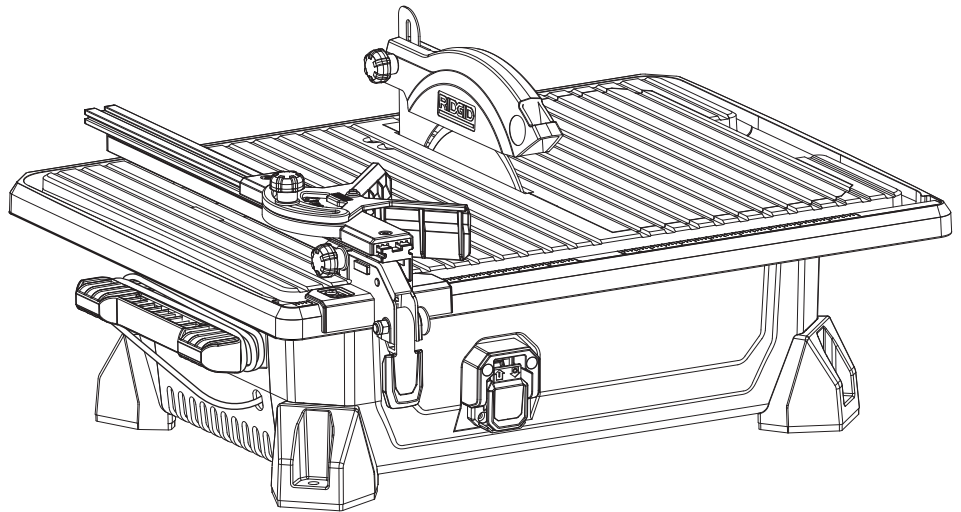
Pickens, SC 29671



MANUEL D'UTILISATION

SCIE À CARREAUX DE 178 mm (7 po)

R4020



To register your RIDGID
product, please visit:
<http://register.RIDGID.com>

Pour enregistrer votre
produit de RIDGID,
s'il vous plaît la visite:
<http://register.RIDGID.com>

Para registrar su producto
de RIDGID, por favor visita:
<http://register.RIDGID.com>

Votre scie à carreaux a été conçue et fabriquée conformément à nos strictes normes de fiabilité, simplicité d'emploi et sécurité d'utilisation. Correctement entretenue, elle vous donnera des années de fonctionnement robuste et sans problème.

⚠ AVERTISSEMENT :

Pour réduire les risques de blessures, l'utilisateur doit lire et veiller à bien comprendre le manuel d'utilisation avant d'utiliser ce produit.

Merci d'avoir acheté un produit RIDGID®.

CONSERVER CE MANUEL POUR FUTURE RÉFÉRENCE

TABLE DES MATIÈRES

■ Introduction	2
■ Règles de sécurité générales	3-4
■ Règles de sécurité particulières	5
■ Symboles.....	6
■ Caractéristiques électriques.....	7-8
■ Caractéristiques	9-10
■ Outils nécessaires	10
■ Pièces détachées	11
■ Assemblage.....	12-14
■ Utilisation.....	15-20
■ Réglages.....	21
■ Entretien	22
■ Garantie	23
■ Commande de pièces et réparation.....	page arrière

INTRODUCTION

Ce produit offre de nombreuses fonctions destinées à rendre son utilisation plus plaisante et satisfaisante. Lors de la conception de ce produit, l'accent a été mis sur la sécurité, les performances et la fiabilité, afin d'en faire un outil facile à utiliser et à entretenir.

RÈGLES DE SÉCURITÉ GÉNÉRALES

AVERTISSEMENT :

Lire et veiller à bien comprendre toutes les instructions. Le non respect de toutes les instructions ci-dessous peut entraîner un choc électrique, un incendie et / ou des blessures graves.

LIRE TOUTES LES INSTRUCTIONS

- **VEILLER À BIEN CONNAÎTRE L'OUTIL.** Lire attentivement le manuel d'utilisation. Apprendre les applications et les limites de l'outil, ainsi que les risques spécifiques relatifs à son utilisation.
- **SE PROTÉGER DES CHOCS ÉLECTRIQUES EN ÉVITANT TOUT CONTACT DU CORPS AVEC DES SURFACES MISES À LA TERRE.** Par exemple : tuyaux, radiateurs, cuisinières, réfrigérateurs.
- **MAINTENIR TOUS LES DISPOSITIFS DE PROTECTION EN PLACE** et en bon état de fonctionnement.
- **RETIRER LES CLÉS ET OUTILS DE RÉGLAGE.** Prendre l'habitude de vérifier que tous les outils et clés de réglage en ont été retirés de l'outil avant de le mettre en marche.
- **GARDER LE LIEU DE TRAVAIL PROPRE.** Les établis encombrés et les endroits sombres sont propices aux accidents. **NE PAS** laisser d'outils ou de pièces de carreaux sur la machine en fonctionnement.
- **NE PAS UTILISER DANS UN ENVIRONNEMENT DANGEREUX.** Ne pas utiliser les outils électriques dans des endroits mouillés ou humides, ne pas les exposer à la pluie. Garder le lieu de travail bien éclairé.
- **GARDER LES ENFANTS ET VISITEURS À L'ÉCART.** Tous les visiteurs doivent porter des lunettes de sécurité et se tenir à bonne distance de la zone de travail. Ne pas laisser les visiteurs toucher l'outil ou son cordon d'alimentation pendant le fonctionnement.
- **ASSURER LA SÉCURITÉ DES ENFANTS** dans l'atelier en installant des cadenas et des disjoncteurs ou en retirant les clés de contact.
- **NE PAS FORCER L'OUTIL.** Il exécutera le travail mieux et de façon moins dangereuse s'il fonctionne dans les limites prévues.
- **UTILISER L'OUTIL APPROPRIÉ.** Ne pas utiliser l'outil ou un accessoire pour effectuer un travail pour lequel il n'est pas conçu.
- **UTILISER UN CORDON PROLONGATEUR ADÉQUAT.** S'assurer que le cordon prolongateur est en bon état. Utiliser exclusivement un cordon d'une capacité suffisante pour supporter le courant de fonctionnement de l'outil. Un cordon de capacité insuffisante causerait une baisse de la tension de ligne, entraînant une perte de puissance et une surchauffe. Un calibre de fil (A.W.G) d'au minimum **14** est recommandé pour un cordon prolongateur de 7,6 mètres (25 pi) ou moins. En cas de doute, utiliser un cordon du calibre immédiatement supérieur. Moins le numéro de calibre est élevé, plus la capacité du fil est grande.
- **PORTER UNE TENUE APPROPRIÉE.** Ne pas porter de vêtements amples, cravates, ou bijoux susceptibles de se prendre et vous entraîner dans les pièces mobiles. Des gants en caoutchouc et des chaussures antidérapantes (carter en caoutchouc) sont recommandées pour le travail à l'extérieur. Les cheveux longs doivent être ramassés sous un couvre-chef.
- **TOUJOURS PORTER DES LUNETTES DE SÉCURITÉ À COQUES LATÉRALES.** Les lunettes de vue ordinaires sont munies seulement de verres résistants aux impacts ; ce ne sont **PAS** des lunettes de sécurité.
- **ASSUJETTIR LES PIÈCES.** Dans la mesure du possible, utiliser des serre-joint ou un étau, ce qui réduit les risques et laisse les deux mains libres pour contrôler l'outil.
- **NE PAS TRAVAILLER HORS DE PORTÉE.** Toujours se tenir bien campé et en équilibre.
- **ENTREtenir SOIGNEUSEMENT LES OUTILS.** Garder les outils bien affûtés et propres pour accroître la sécurité et les performances. Suivre les instructions de lubrification et de changement d'accessoires.
- **DÉBRANCHER TOUS LES OUTILS.** Tous les outils doivent être débranchés lorsqu'ils ne sont pas en usage et avant toute opération d'entretien ou de changement d'accessoire, disque, forer, fers, etc.
- **ÉVITER LES DÉMARRAGES ACCIDENTELS.** S'assurer que le commutateur est en position d'arrêt avant de brancher un outil.
- **UTILISER LES ACCESSOIRES RECOMMANDÉS.** Voir les accessoires recommandés dans le manuel d'utilisation. L'usage de tout accessoire incorrect peut être dangereux.
- **NE JAMAIS MONTER SUR L'OUTIL.** Un basculement de l'outil ou le contact accidentel avec l'accessoire de coupe peut causer des blessures graves.
- **VÉRIFIER L'ÉTAT DES PIÈCES.** Avant d'utiliser l'outil de nouveau examiner soigneusement les pièces et dispositifs de protection qui semblent endommagés afin de déterminer s'ils fonctionnent correctement et s'ils remplissent les fonctions prévues. Vérifier l'alignement des pièces mobiles, s'assurer qu'aucune pièce n'est bloquée ou cassée, vérifier la fixation de chaque pièce et s'assurer qu'aucun autre problème ne risque d'affecter le bon fonctionnement de l'outil. Pour éviter les risques de blessures, toute protection ou pièce endommagée doit être correctement réparée ou remplacée dans un centre de réparations agréé.
- **ENGAGER LES PIÈCES DANS LE SENS CORRECT.** La pièce ne doit être engagée que contre le sens de rotation de la disque, de l'accessoire ou de la toupie de ponçage.
- **NE JAMAIS LAISSER L'OUTIL EN FONCTIONNEMENT SANS SURVEILLANCE. COUPER L'ALIMENTATION ÉLECTRIQUE.** Ne pas s'éloigner de l'outil avant qu'il soit parvenu à un arrêt complet.
- **PORTER UNE PROTECTION RESPIRATOIRE.** Porter un masque facial ou respiratoire si le travail produit de la poussière.
- **PORTER UNE PROTECTION AUDITIVE.** Porter une protection auditive durant les périodes d'utilisation prolongée.

RÈGLES DE SÉCURITÉ GÉNÉRALES

- **NE PAS MALTRAITER LE CORDON D’ALIMENTATION.** Ne jamais utiliser le cordon d’alimentation pour transporter l’outil et ne jamais débrancher ce dernier en tirant sur le cordon. Garder le cordon à l’écart de la chaleur, de l’huile et des objets tranchants.
- **TOUJOURS UTILISER UN CORDON SPÉCIALEMENT CONÇU À CET EFFET, MARQUÉ « W-A » OU « W ».** Ces cordons réduisent les risques de choc électrique.
- **TOUJOURS GARDER LA PROTÈGE-MEULE EN PLACE** et en bon état de fonctionnement.
- **GARDER LES MAINS À L’ÉCART DE LA ZONE DE COUPE.** Ne placer en aucun cas la main ou les doigts au-dessous de la pièce à couper ou sur la trajectoire de la meule. Toujours éteindre la scie.
- **LES MUELES CONTINUENT DE TOURNER EN ROUE LIBRE UNE FOIS QUE LA SCIE EST ÉTEINTE.**
- **NE JAMAIS UTILISER CET OUTIL DANS UNE ATMOSPHÈRE EXPLOSIVE.** Les étincelles normalement produites par le moteur pourraient enflammer les vapeurs.
- **INSPECTER RÉGULIÈREMENT LES CORDONS DE L’OUTIL.** Faire remplacer tout commutateur défectueux par un technicien qualifié ou un centre de réparations agréé. Le fil à gaine verte, avec ou sans traceur jaune est le fil de terre. Si le cordon doit être réparé ou remplacé, ne pas connecter le fil de terre de l’outil sur une borne sous tension. Tout cordon endommagé doit être réparé ou remplacé immédiatement. Toujours rester conscient de l’emplacement du cordon et veiller à le tenir à l’écart de la meule en rotation.
- **INSPECTER RÉGULIÈREMENT LES CORDONS PROLONGATEURS** et les remplacer s’ils sont endommagés.
- **METTRE TOUS LES OUTILS À LA TERRE.** Si un outil est équipé d’une fiche à trois broches, il doit être branché sur une prise secteur à trois trous.
- **BRANCHER L’OUTIL UNIQUEMENT DANS UNE PRISE PROTÉGÉE PAR UN DISJONCTEUR DE FUITE À LA TERRE.**
- **CONSULTER UN ÉLECTRICIEN QUALIFIÉ** ou le personnel de service si les instructions de mise à la terre ne sont pas bien comprises, ou en cas de doute au sujet de la mise à la terre.
- **N’UTILISER QUE DES ACCESSOIRES ÉLECTRIQUES APPROPRIÉS :** Utiliser exclusivement des cordons prolongateurs à 3 fils doté d’une fiche à prise de terre branchés sur une prise triphasée compatible avec la fiche de l’outil.
- **NE PAS MODIFIER** la fiche fournie. Si elle ne peut pas être insérée dans la prise secteur, faire installer une prise adéquate par un électricien qualifié.
- **GARDER L’OUTIL SEC, PROPRE ET EXEMPT D’HUILE OU DE GRAISSE.** Toujours utiliser un chiffon propre pour le nettoyage. Ne jamais utiliser de liquide de freins, d’essence ou de produits à base de pétrole pour nettoyer l’outil.
- **RESTER VIGILANT ET GARDER LE CONTRÔLE.** Se montrer attentif et faire preuve de bon sens. Ne pas utiliser l’outil en état de fatigue. Ne pas se presser.
- **NE PAS UTILISER L’OUTIL SI LE COMMUTATEUR NE PERMET PAS DE LE METTRE EN MARCHÉ OU DE L’ARRÊTER.** Faire remplacer les commutateurs défectueux dans un centre de réparations agréé.
- **N’UTILISER QUE LES MUELES APPROPRIÉES.** Ne pas utiliser de muelles dont le trou n’est pas de la taille correcte. Ne jamais utiliser de rondelles ou boulons de meule défectueux ou de type incorrect. La taille maximum de meule pouvant être utilisée sur cet outil est de 178 mm (7 po).
- **S’ASSURER QUE TOUS LES DISPOSITIFS DE PROTECTION FONCTIONNENT CORRECTEMENT AVANT D’EFFECTUER UNE COUPE.**
- **NE JAMAIS TOUCHER LA MUELE** ou les pièces en mouvement pendant le fonctionnement.
- **NE JAMAIS METTRE UN OUTIL EN MARCHÉ LORSQU’UNE PIÈCE EN ROTATION QUELCONQUE EST EN CONTACT AVEC LA PIÈCE À COUPER.**
- **NE PAS UTILISER CET OUTIL SOUS L’INFLUENCE DE L’ALCOOL, DE DROGUES OU DE MÉDICAMENTS.**
- Utiliser exclusivement des pièces identiques à celles d’origine **POUR LES RÉPARATIONS.** L’usage de toute autre pièce pourrait créer une situation dangereuse ou endommager l’outil.
- **UTILISER EXCLUSIVEMENT LES ACCESSOIRES RECOMMANDÉS** dans ce manuel ou ses addendas. L’emploi de tout accessoire non recommandé peut présenter un risque de blessure. Les instructions de sécurité d’utilisation sont fournies avec les accessoires.
- **VÉRIFIER DEUX FOIS TOUS LES RÉGLAGES.** S’assurer que la disque est bien serrée et ne touche ni la scie, ni la pièce à couper avant de brancher la scie sur le secteur.

RÈGLES DE SÉCURITÉ PARTICULIÈRES

- **TOUJOURS ASSUJETTIR LA PIÈCE À COUPER** fermement contre le guide d'onglet ou le guide.
- **NE JAMAIS** se tenir ou laisser une partie du corps se trouver dans la trajectoire de la meule.
- **NE JAMAIS** essayer de débloquer une meule coincées avant d'avoir **ÉTEINT** et débranché la scie.
- **S'IL LE CORDON D'ALIMENTATION EST ENDOMMAGÉ**, il doit être remplacé uniquement par le fabricant ou par un centre de réparation agréé pour éviter tout risque.
- **ÉVITER LES OPÉRATIONS ET POSITIONS INCOMMODES** posant un risque de glissement soudain de la main vers la lame. **TOUJOURS** se tenir bien en équilibre. **NE JAMAIS** utiliser la scie à onglets sur le sol ou en se tenant accroupi.
- **S'ASSURER QUE LA ZONE DE TRAVAIL EST SUFFISAMMENT ÉCLAIRÉE** pour voir ce que l'on fait et qu'aucun obstacle ne peut nuire à la sécurité d'utilisation **AVANT** d'effectuer quelque coupe que ce soit.
- **TOUJOURS ÉTEINDRE LA SCIE** avant de la débrancher pour éviter un démarrage accidentel lors du branchement pour l'utilisation suivante.
- Les avertissements ci-dessous doivent être apposés sur **CET OUTIL** :
 - a) Porter une protection oculaire, auditive et respiration.
 - b) Utiliser protège-meule pour chaque opération pour laquelle il peut être utilisé.
 - c) Couper l'alimentation électrique avant d'effectuer l'entretien, lors du remplacement de la meule ou du nettoyage.
 - d) Utiliser l'outil avec le bord lisse meule de coupe des ouvertures et des rainures.
 - e) Remplacer endommagé meule de coupe avant de opération
 - f) Ne pas remplir le réservoir d'eau au-delà de la ligne de remplissage maximal.
- **CONSERVER CES INSTRUCTIONS.** Les consulter fréquemment et les utiliser pour instruire les autres utilisateurs. Si cet outil est prêté, il doit être accompagné de ces instructions.



AVERTISSEMENT :




La poussière dégagée lors du ponçage, sciage, meulage, perçage de certains matériaux et lors d'autres opérations de construction contient des produits chimiques reconnus causer le cancer, des malformations congénitales ou des lésions de l'appareil reproducteur. Voici certains exemples de ces produits chimiques :

- le plomb contenu dans la peinture au plomb,
- la silice cristalline contenue dans les briques, le ciment et d'autres produits de maçonnerie, ainsi que
- l'arsenic et le chrome contenus dans le bois de construction traité par produits chimiques.







Le risque présenté par l'exposition à ces produits varie en fonction de la fréquence de ce type de travail. Pour réduire l'exposition à ces produits chimiques : Travailler dans un endroit bien aéré et utiliser des équipements de sécurité approuvés tels que masques anti-poussière spécialement conçus pour filtrer les particules microscopiques.

SYMBOLES

Les termes de mise en garde suivants et leur signification ont pour but d'expliquer le degré de risques associé à l'utilisation de ce produit.

SYMBOLE	SIGNAL	SIGNIFICATION
	DANGER :	Indique une situation extrêmement dangereuse qui, si elle n'est pas évitée, aura pour conséquences des blessures graves ou mortelles.
	AVERTISSEMENT :	Indique une situation potentiellement dangereuse qui, si elle n'est pas évitée, pourrait entraîner des blessures graves ou mortelles.
	ATTENTION :	Indique une situation potentiellement dangereuse qui, si elle n'est pas évitée, pourrait entraîner des blessures légères ou de gravité modérée.
	ATTENTION :	(Sans symbole d'alerte de sécurité) Indique une situation pouvant entraîner des dommages matériels.

Certains des symboles ci-dessous peuvent être utilisés sur l'outil. Veiller à les étudier et à apprendre leur signification. Une interprétation correcte de ces symboles permettra d'utiliser l'outil plus efficacement et de réduire les risques.

SYMBOLE	NOM	DÉSIGNATION / EXPLICATION
	Symbole d'alerte de sécurité	Indique un risque de blessure potentiel.
	Lire le manuel d'utilisation	Pour réduire les risques de blessures, l'utilisateur doit lire et veiller à bien comprendre le manuel d'utilisation avant d'utiliser ce produit.
	Protection oculaire, auditive et respiration	Toujours porter une protection oculaire certifiée conforme à la norme ANSI Z87.1 ainsi qu'une protection auditive et respiration.
	Avertissement concernant l'humidité	Ne pas exposer l'outil à la pluie ni à l'humidité.
	Mains à l'écart	Le non respect de cette mise en garde peut entraîner des blessures graves.
	Électrocution	Une mauvaise mise à la terre peut causer une électrocution.
V	Volts	Tension
A	Ampères	Intensité
Hz	Hertz	Fréquence (cycles par seconde)
min	Minutes	Temps
~	Courant alternatif	Type de courant
n_0	Vitesse à vide	Vitesse de rotation à vide
.../min	Par minute	Tours, coups, vitesse périphérique, orbites, etc., par minute

CARACTÉRISTIQUES ÉLECTRIQUES

CORDONS PROLONGATEURS

Utiliser exclusivement des cordons prolongateurs à 3 fils doté d'une fiche à prise de terre branchés sur une prise triphasée compatible avec la fiche de l'outil. Lors de l'utilisation d'un outil électrique à grande distance d'une prise secteur, veiller à utiliser un cordon prolongateur d'une capacité suffisante pour supporter l'appel de courant de l'outil. Un cordon de capacité insuffisante causerait une baisse de la tension de ligne, entraînant une perte de puissance et une surchauffe. Se reporter au tableau ci-dessous pour déterminer le calibre minimum de fil requis pour un cordon donné. Utiliser exclusivement des cordons à gaine cylindrique homologués par Underwriter's Laboratories (UL).

**Intensité nominale (sur la plaquette signalétique de l'outil)

	0-2.0	2.1-3.4	3.5-5.0	5.1-7.0	7.1-12.0	12.1-16.0
Longueur du cordon	Calibre de fil (A.W.G.)					
25'	16	16	16	16	14	14
50'	16	16	16	14	14	12
100'	16	16	14	12	10	—

**Utilisé sur circuit de calibre 12 – 20 A

NOTE : AWG = American Wire Gauge

Pour les travaux à l'extérieur, utiliser un cordon prolongateur spécialement conçu à cet effet. La gaine des cordons de ce type porte l'inscription « W-A » ou « W ».

Avant d'utiliser un cordon prolongateur, vérifier que ses fils ne sont ni détachés ni exposés et que son isolation n'est ni coupée, ni usée.

N'utiliser que des rallonges électriques conçues pour être utilisées à l'extérieur. Ces rallonges sont identifiées par une étiquette "Peut être utilisée avec des appareils de plein air. Ranger à l'intérieur lorsqu'elle n'est pas utilisée." Ne pas utiliser de rallonges endommagées. Examiner la rallonge avant de l'utiliser et la remplacer si elle est endommagée. Ne pas maltraiter les rallonges électriques et ne pas les tirer brusquement pour les débrancher. Garder les rallonges loin de toute source de chaleur et d'arêtes vives. Toujours débrancher la rallonge de la prise de courant avant de débrancher l'appareil de la rallonge.

AVERTISSEMENT :

Maintenir le cordon prolongateur à l'écart de la zone de travail. Lors du travail avec un cordon électrique, placer le cordon de manière à ce qu'il ne risque pas de se prendre dans les pièces de bois, outils et autres obstacles. Ne pas prendre cette précaution peut entraîner des blessures graves.

AVERTISSEMENT :

Vérifier l'état des cordons prolongateurs avant chaque utilisation. Remplacer immédiatement tout cordon endommagé. Ne jamais utiliser un outil dont le cordon d'alimentation est endommagé, car tout contact avec la partie endommagée pourrait causer un choc électrique et des blessures graves.

CONNEXION ÉLECTRIQUE

Cet outil est équipé d'un moteur électrique de précision. Il doit être branché uniquement sur une **alimentation 120 V, c.a. (courant résidentiel standard), 60 Hz**. Ne pas utiliser cet outil sur une source de courant continu (c.c.). Une chute de tension importante causerait une perte de puissance et une surchauffe du moteur. Si l'outil ne fonctionne pas une fois branché, vérifier l'alimentation électrique.

VITESSE ET CÂBLAGE

La vitesse à vide de cet outil est d'environ 3 450 r/min. La vitesse n'est pas constante et elle diminue sous une charge ou en présence d'une baisse de tension. Le câblage de l'atelier est aussi important que la puissance nominale du moteur. Une ligne conçue seulement pour l'éclairage ne peut pas alimenter correctement le moteur d'un outil électrique. Un fil électrique d'une capacité suffisante pour une courte distance ne le sera pas nécessairement pour une distance plus longue. Une ligne dont la capacité est suffisante pour un outil électrique ne l'est pas nécessairement pour deux ou trois.

INSTRUCTIONS DE MISE À LA TERRE

Voir la figure 1.

Ce produit doit être fondé. En cas de problème de fonctionnement ou de panne, la mise à la terre fournit un chemin de résistance au courant électrique, pour réduire le risque de choc électrique. Cet produit est équipé d'un cordon électrique avec conducteur et fiche de mise à la terre. Le cordon doit être branché sur une prise correctement installée et mise à la terre conformément à tous les codes et réglementations locaux en vigueur.

Ne pas modifier la fiche fournie. Si elle ne peut pas être insérée dans la prise secteur, faire installer une prise adéquate par un électricien qualifié.

AVERTISSEMENT :

L'usage d'un cordon prolongateur incorrect peut présenter des risques de choc électrique. Si le cordon doit être réparé ou remplacé, ne pas connecter le fil de terre de l'outil sur une borne sous tension. Le fil à gaine verte, avec ou sans traceur jaune est le fil de terre.

CARACTÉRISTIQUES ÉLECTRIQUES

Consulter un électricien qualifié ou le personnel de service si les instructions de mise à la terre ne sont pas bien comprises, ou en cas de doute au sujet de la mise à la terre.

Tout cordon endommagé doit être réparé ou remplacé immédiatement.

Ce produit est pour l'usage sur un nominal 120 circuit de volt et a un fonder bouche similaire au bouchon illustré dans la figure 1. Seulement connecter le produit à une sortie ayant la même configuration comme le bouchon. Ne pas utiliser un adaptateur avec ce produit.

Les circuits utilisés avec la tondeuse devraient être munis d'un interrupteur de défaut à la terre. Des connecteurs avec un interrupteur de défaut à la terre sont disponibles et peuvent être utilisés pour satisfaire à cette mesure de sécurité.

Si la scie est utilisée avec une cordon prolongateur, garantir la connexion du cordon d'alimentation de l'outil et la cordon prolongateur n'est pas par terre.

Si une sortie protégée n'est pas disponible, ne pas utiliser la scie jusqu'à ce qu'une sortie peut être changée ou la protection auxiliaire peut être obtenue. Ces appareils auxiliaires de protection sont disponibles à votre détaillant local.

PLACER DE LA SCIE À CARREAUX

Voir la figure 2.

Afin d'éviter de mouiller la fiche de l'appareil ou la prise de courant, placer la scie à carreaux du côté d'une prise de courant murale afin d'empêcher l'eau de s'égoutter dans la prise ou la fiche. L'utilisateur doit arranger une boucle d'égouttement dans le cordon reliant la scie à la prise de courant. La boucle d'égouttement est la partie du cordon qui se trouve sous le niveau de la prise, ou du connecteur dans le cas d'utilisation d'une rallonge, pour empêcher l'eau de s'égoutter le long du cordon et d'entrer en contact avec la prise.

Si la fiche ou la prise entrent en contact avec de l'eau NE PAS débrancher le cordon. Débrancher le fusible ou le disjoncteur qui alimentent l'outil. Ensuite, débrancher l'appareil et vérifier s'il y a de l'eau dans la prise.

⚠ AVERTISSEMENT :

Pour réduire le risque d'électrocution, garder toutes les connexions sèches et dégagées du sol. Ne pas toucher à la fiche lorsque les mains sont mouillées.

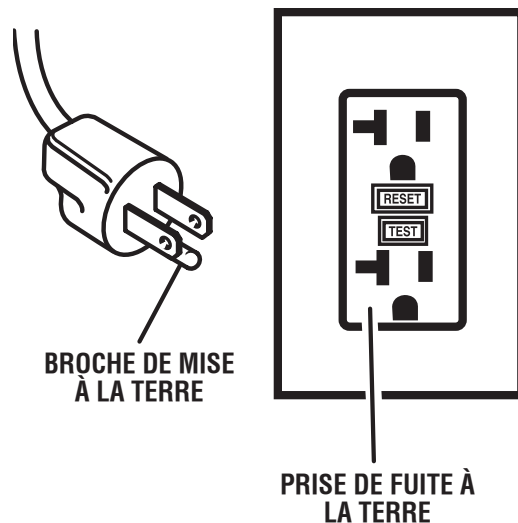


Fig. 1

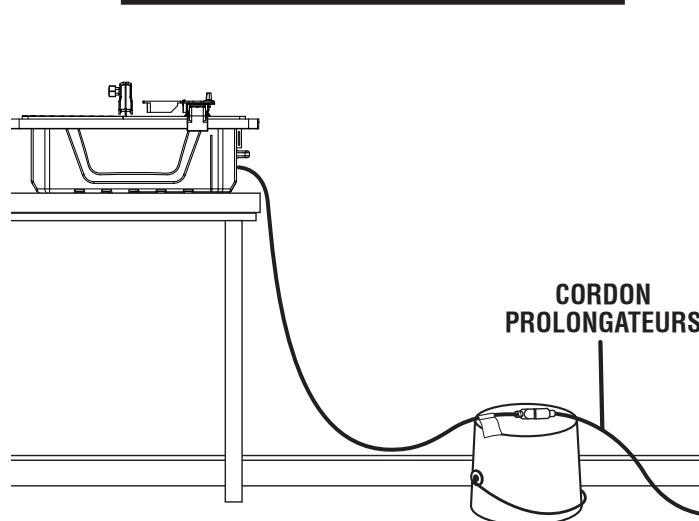
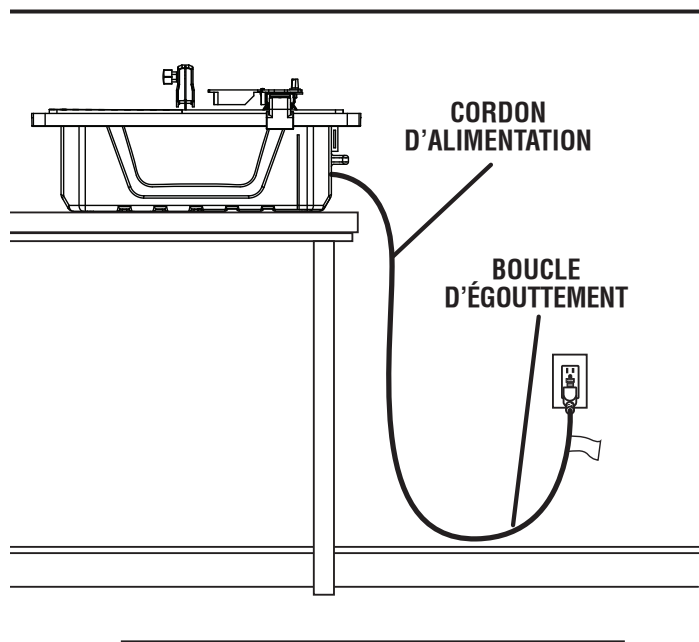


Fig. 2

CARACTÉRISTIQUES

FICHE TECHNIQUE

Diamètre de la meule..... 178 mm (7 po)
Arbre de la meule 15,8 mm (5/8 po)
Capacité de refente (carreaux la taille)..... 457 mm (18 po)

Capacité de diagonale (carreaux la taille)... 305 mm (12 po)
Profondeur de coupe maximum.....31,7 mm (1-1/4 po)
Alimentation nominale.....120 V~, 6,5 A, 60 Hz
Vitesse à vide3 450 r/min (RPM)

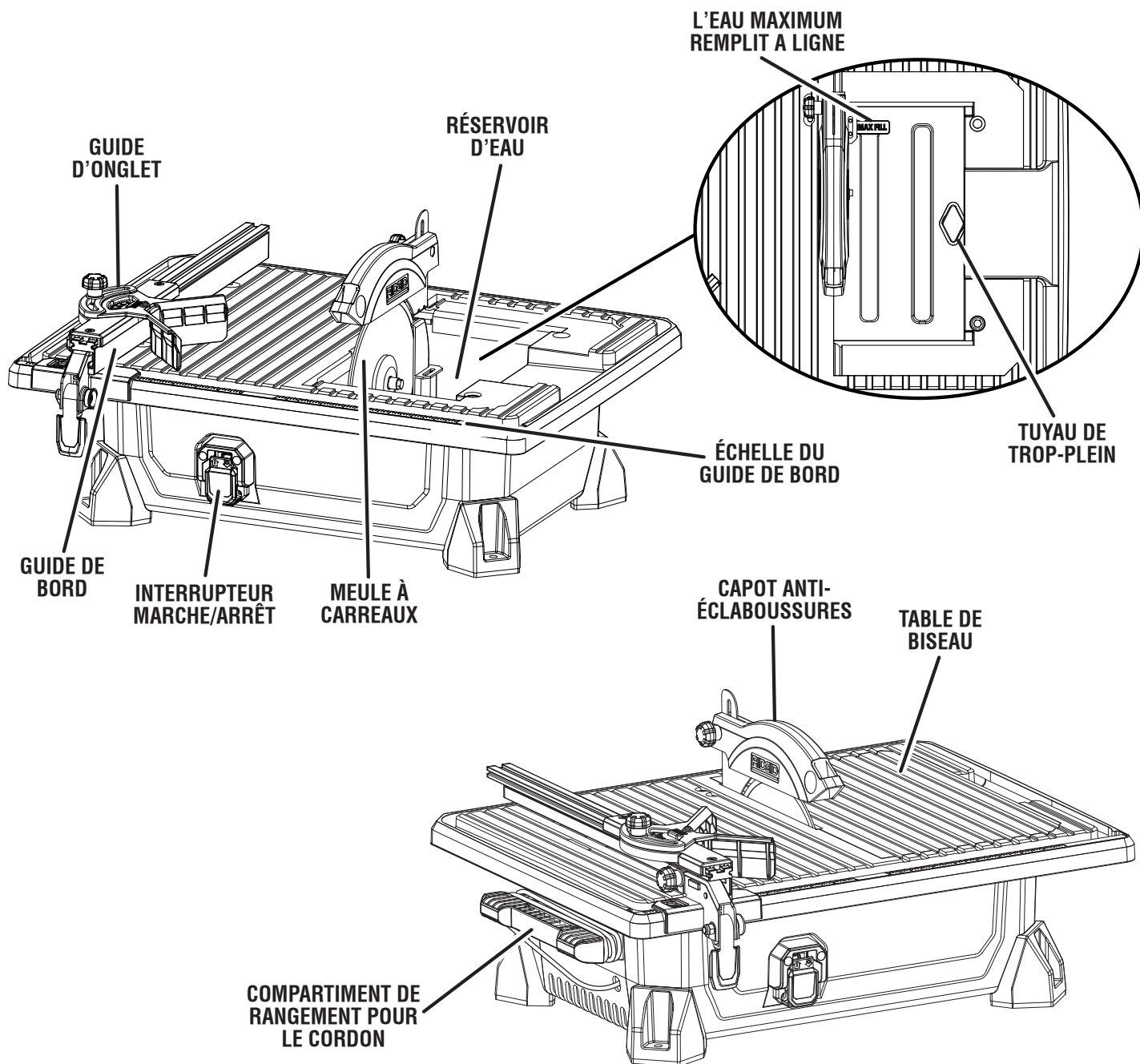


Fig. 3

CARACTÉRISTIQUES

POUR SE FAMILIARISER AVEC LA SCIE À CARREAUX

Voir la figure 3.

L'utilisation sûre de ce produit exige une compréhension des renseignements figurant sur l'outil et contenus dans le manuel d'utilisation, ainsi qu'une bonne connaissance du projet entrepris. Avant d'utiliser ce produit, se familiariser avec toutes ses fonctions et règles de sécurité.

178 mm (7 po) MEULE À CARREAUX - 178 mm (7 po) meule à carreaux est inclus avec votre scie

AVERTISSEMENT :

Ne pas utiliser de muelas dont la vitesse de rotation nominale est inférieure à celle de l'outil. Ne pas prendre cette précaution pourrait entraîner des blessures graves.

TABLE DE BISEAU – La table de biseau permet d'effectuer des coupes en biseau de 22,5° et 45°.

GUIDE D'ONGLET – Le rapporteur facile à lire indique l'angle exact pour les coupes.

MOTEUR - Cette scie est équipée d'un moteur assez puissant pour effectuer les coupes les plus difficiles.

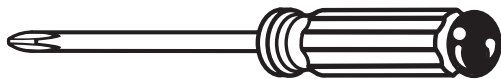
INTERRUPTEUR MARCHE/ARRÊT - La scie est dotée d'un interrupteur marche/arrêt facile d'accès se trouvant au-dessous du rail avant.

GUIDE LONGITUDINAL – Le guide longitudinal est entièrement réglable pour effectuer des coupes transversales et utiliser le guide d'onglet.

PROTECTION ÉCLABOUSSER - Protection éclabousser cela permet de contenir d'overspray et de la brume.

OUTILS NÉCESSAIRES

Les outils suivants (non inclus ou dessiné pour escalader) sont nécessaires pour effectuer l'assemblage :



TOURNEVIS PHILLIPS



CLÉ HEXAGONAL
DE 5/16 po



CLÉ DE 10 mm

Fig. 4

PIÈCES DÉTACHÉES

Le meilleur des pièces détachées comme indiqué ci-dessous sont stockés dans le réservoir d'eau :

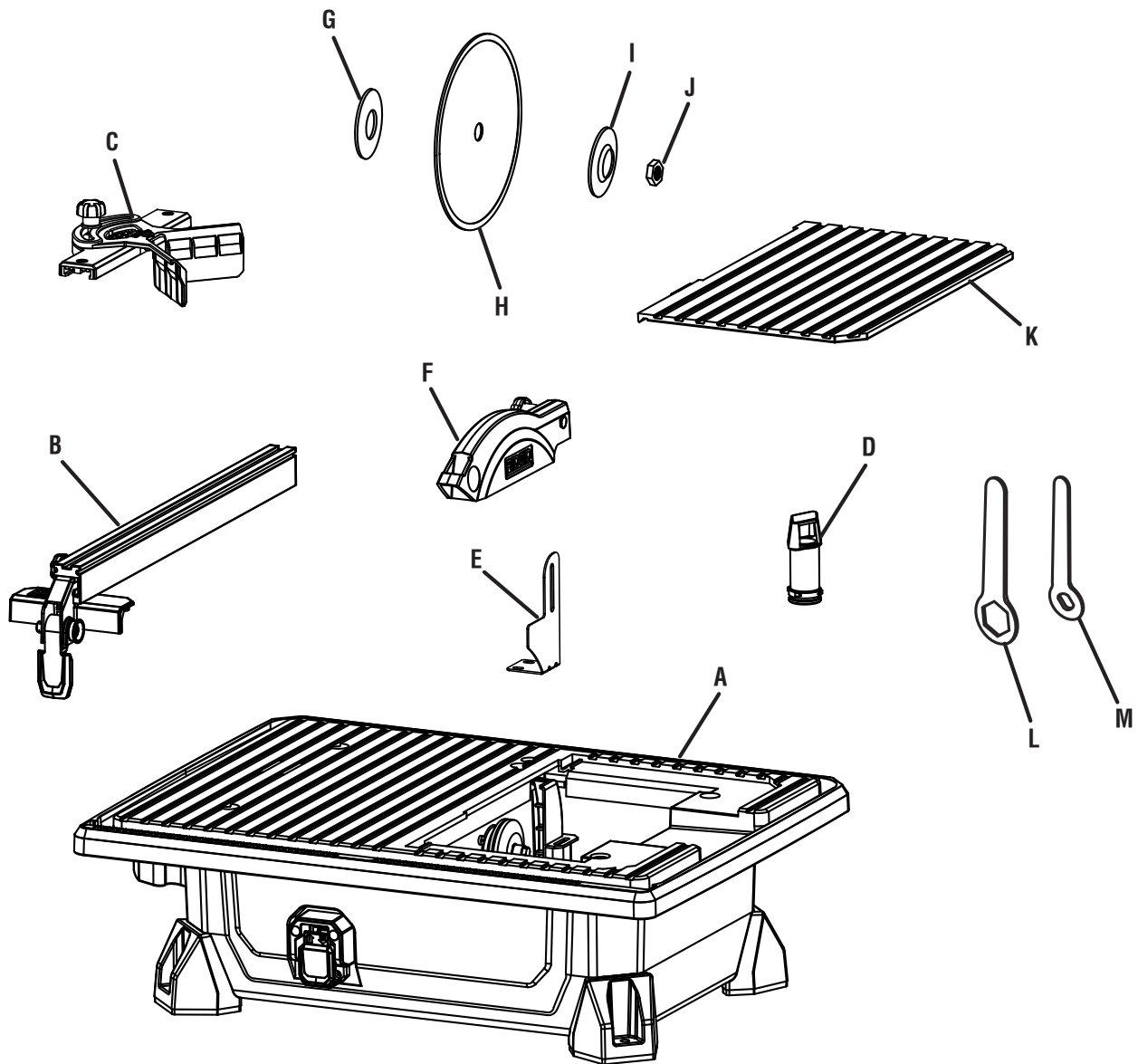


Fig. 5

A - Scie à carreaux	1	H - Meule à carreaux	1
B - Guide de bord	1	I - Rondelle extérieure	1
C - Guide d'onglet	1	J - Écrou d'arbre	1
D - Tuyau de trop-plein	1	K - Table de biseau	1
E - Support du capot anti-éclaboussures	1	L - Clé de meule	1
F - Capot anti-éclaboussures	1	M - Clé d'arbre	1
G - Rondelle intérieure	1		

ASSEMBLAGE

DÉBALLAGE

Voir la figure 5.

Ce produit doit être assemblé.

- Sortir soigneusement la scie du carton et la poser sur un plan de travail horizontal.

⚠ AVERTISSEMENT :

Ne pas utiliser le produit si, en le déballant, vous constatez que des éléments figurant dans la liste des pièces détachées sont déjà assemblés. Certaines pièces figurant sur cette liste n'ont pas été assemblées par le fabricant et exigent une installation. Le fait d'utiliser un produit qui a été assemblé de façon inadéquate peut entraîner des blessures.

- Examiner soigneusement l'outil pour s'assurer que rien n'a été brisé ou endommagé en cours de transport.
- Ne pas jeter les matériaux d'emballage avant d'avoir soigneusement examiné l'outil et avoir vérifié qu'il fonctionne correctement.

NOTE : Le meilleur des pièces détachées comme indiqué ci-dessous sont stockés dans le réservoir d'eau.

- La scie est réglée en usine pour effectuer une coupe précise. Après l'avoir assemblée, vérifier sa précision. Si les réglages ont été modifiés en cours d'expédition, voir les procédures spécifiques présentées dans ce manuel.
- Si des pièces sont manquantes ou endommagées, appeler le 1-866-539-1710.

⚠ AVERTISSEMENT :

Si des pièces manquent ou sont endommagées, ne pas utiliser ce outil avant qu'elles aient été remplacées. Le fait d'utiliser ce produit même s'il contient des pièces endommagées ou s'il lui manque des pièces peut entraîner des blessures graves.

⚠ AVERTISSEMENT :

Ne pas essayer de modifier cet outil ou de créer des accessoires non recommandés pour l'outil. De telles altérations ou modifications sont considérées comme un usage abusif et peuvent créer des conditions dangereuses, risquant d'entraîner des blessures graves.

⚠ AVERTISSEMENT :

Ne pas brancher sur le secteur avant d'avoir terminé l'assemblage. Le non-respect de cet avertissement peut causer un démarrage accidentel, entraînant des blessures graves.

TROUS DE MONTAGE

La scie à table doit être montée solidement sur un plan de travail ferme, tel qu'un établi. Pour ce faire, la base de la scie comporte quatre trous. Ces quatre trous doivent être utilisés pour fixer la scie sur le plan de travail au moyen de quatre boulons de 3/8 po (9 mm), rondelles et écrous à six pans (non inclus). Les

boulons doivent être assez longs pour traverser la base de la scie, les rondelles frein, les écrous et l'établi. Serrer les quatre boulons fermement.

Une fois le montage terminé, vérifier soigneusement l'établi pour s'assurer qu'aucun mouvement ne peut se produire en cours d'utilisation. Si l'établi bascule, glisse ou se déplace, l'assujettir sur le sol avant d'utiliser la scie.

MEULE À CARREAUX

Para rendement maximum et sécurité, Il est conseillé de n'utiliser que le muele de coupe 7 po est fournie avec la scie. Il existe d'autres modèles de muelles de la même qualité prévues pour votre distributeur local.

⚠ AVERTISSEMENT :

Ne pas utiliser de muelles dont la vitesse à vide de rotation nominale est inférieure à celle de l'outil. Le non-respect de cet avertissement pourrait entraîner des blessures graves. Ne jamais utiliser des meules qui ont des ouvertures, des rainures, ou des dents sur cet outil.

INSTALLATION DE LA MEULE À CARREAUX

Voir la figure 6.

⚠ AVERTISSEMENT :

Cette scie n'utilise que des muelles dont la largeur maximale de 7 po. Ne jamais utiliser une muele trop épaisse car elle empêcherait la rondelle extérieure de la muele de s'engager sur les méplats de la broche. Des muelles de trop grand diamètre toucheraient les protections de muele et des meules trop épaisses empêcheraient le boulon la muele de maintenir la muele sur la broche. Ces deux situations peuvent causer un accident et des blessures graves.

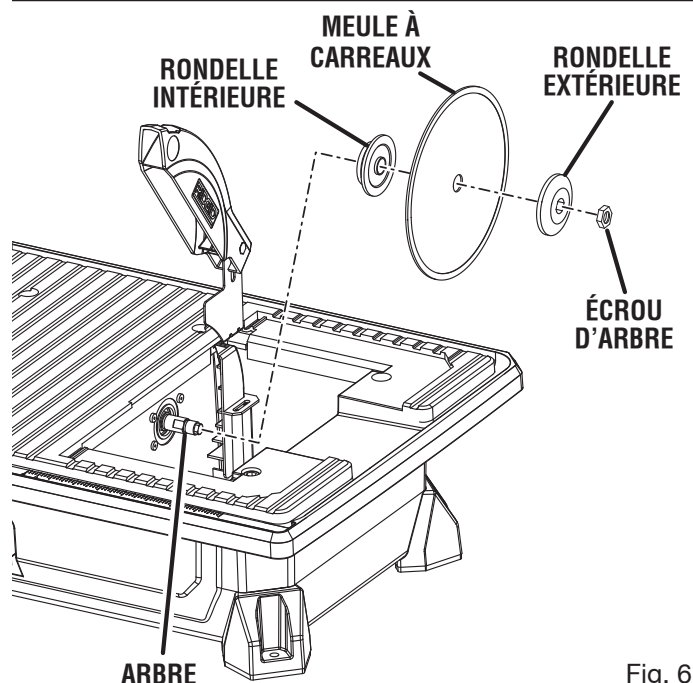


Fig. 6

ASSEMBLAGE

- Débrancher la scie et retirer la table de biseau.
- Placer la clé de meule sur l'écrou de l'arbre alors glisser la clé d'arbre sur l'arbre.
- Tenir fermement la clé d'arbre afin d'éviter que la meule bouge, tirer la plus grande (côté gauche) vers l'avant de la machine pour le desserrer.
- Retirer l'écrou d'arbre et rondelle extérieure en laissant la rondelle intérieure sur l'arbre.

AVERTISSEMENT :

Toujours installer le rondelle de meule intérieur avant placer le meule sur arbre. L'absence de cette pièce pourrait un provoquer un accident car le meule ne serait pas correctement serrée.

- Placer la meule de coupe sur l'arbre en orientant les flèches de la meule dans le sens antihoraire.
- Remplacer la rondelle extérieure. Les deux méplats en « D » des rondelles de meule s'alignent sur les méplats de la broche.
- Remplacer écrou d'arbre sur arbre. À l'aide de la clé de meule et de la clé d'arbre, serrer solidement l'écrou d'arbre.

INSTALLATION DU CAPOT ANTI-ÉCLABOUSSURES

Voir les figures 7 et 8.

- Retirer la table de biseau.
- Desserrer et retirer les vis.
- Installer le support en « L » du capot anti éclaboussures dans la lèvre située en dessous de la table et derrière la meule de coupe.
- Réinstallez les vis dans la table et le support du capot anti-éclaboussures. Serrer solidement.

NOTE : Aligné le support du capot avec la meule pour ne pas entraver le matériau à couper.

- Glisser le capot anti-éclaboussures avec la support due capot anti-éclaboussures et aligner les trous du capot anti-éclaboussures avec la fente du support du capot anti-éclaboussures.
- Insérer le boulon hexagonal dans le capot et le support. Visser le bouton de protection éclabousser sur le boulon et le serrer à la hauteur désirée.

NOTE : Toujours ajuster le capot anti éclaboussures horizontalement par rapport à la table, juste au-dessus de l'épaisseur d'un carreau. Le capot ne doit pas toucher aux carreaux.

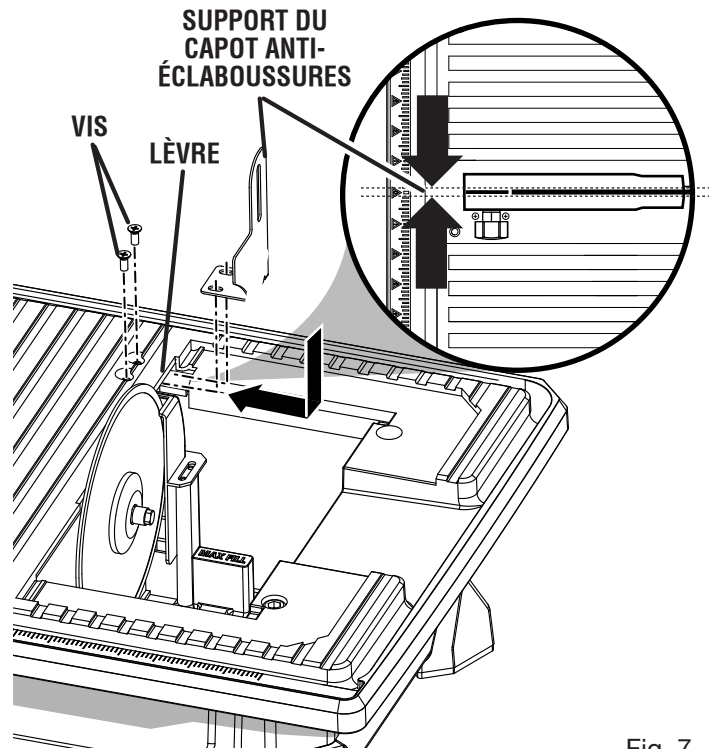


Fig. 7

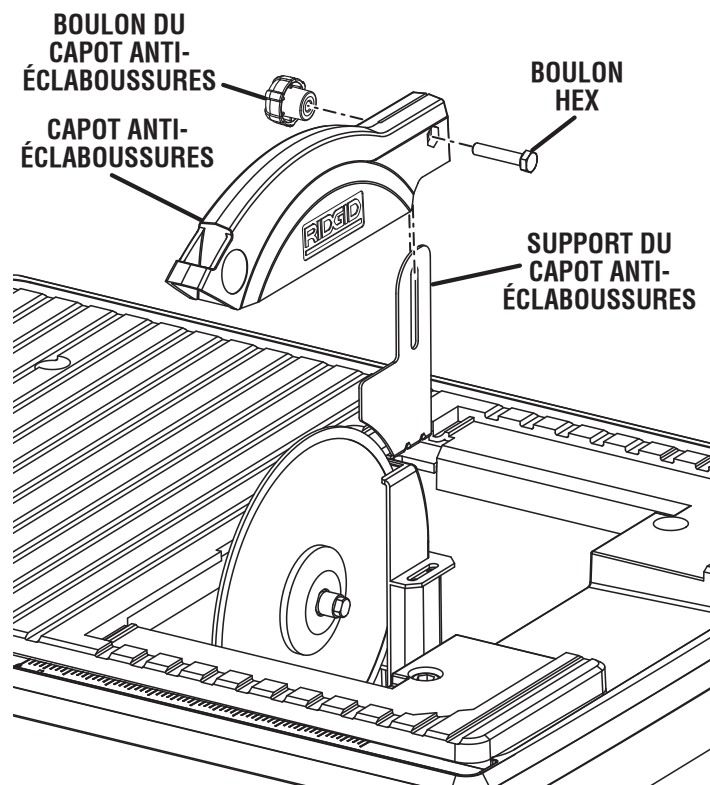


Fig. 8

ASSEMBLAGE

INSTALLATION DU GUIDE LONGITUDINAL

Voir la figure 9.

- Mettre le devant du guide longitudinal sur le rail devant de la table de la scie.
- Abaisser le bout arrière du guide longitudinal dans le rail arrière.
- À l'aide de l'échelle du guide longitudinal située à l'avant de la table, régler le guide longitudinal à la largeur de coupe désirée.
- Tourner le bouton de l'échelle du guide dans le sens horaire afin de le serrer solidement. Si bien verrouillé, le levier de verrouillage devrait être orienté vers le bas.

INSTALLATION DU GUIDE D'ONGLET

Voir la figure 9.

- Aligner les rainures dans le guide d'onglets avec les rainures dans le haut du guide de bord.
- Pousser le guide d'onglet sur le guide de bord à la position d'opération désirée.

NOTE : Faites glisser le guide d'onglet à partir de le guide de bord à supprimer.

INSTALLATION DU TUYAU DE TROP-PLEIN

Voir la figure 10.

- Pousser fermement le tuyau de trop-plein dans le trou situé au bas du réservoir d'eau.

REPLISSAGE/CHANGEMENT DU RÉSERVOIR D'EAU

Voir la figure 11.

- Remplir le réservoir d'eau avec de l'eau du robinet jusqu'à la ligne de remplissage.

NOTE : Le tuyau de trop-plein permet d'éviter un remplissage excessif.

Pour changer l'eau du réservoir :

- Débrancher la scie.
- Retirer le tuyau de trop-plein et le vider dans un seau. Éviter les éclaboussures sur le sol ou autour de la machine.
- Rincer attentivement la machine.
- Jetez de l'eau de gaspillage conformément aux règlements locaux.
- Remplacer par de l'eau propre.

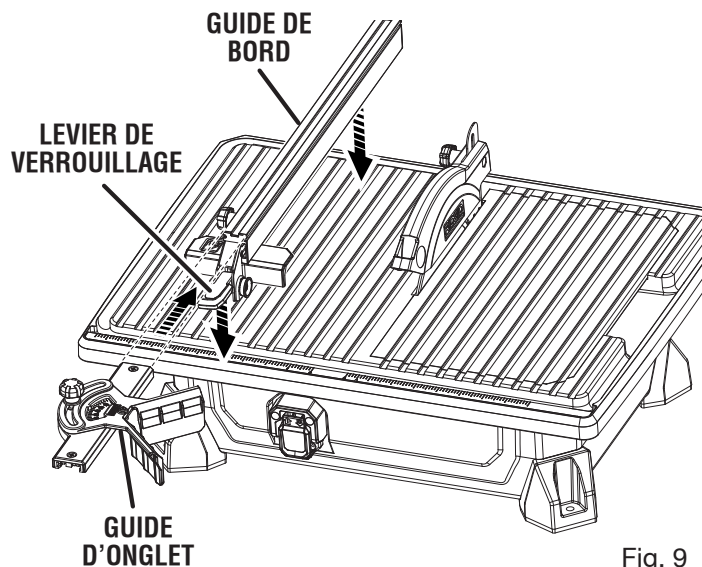


Fig. 9

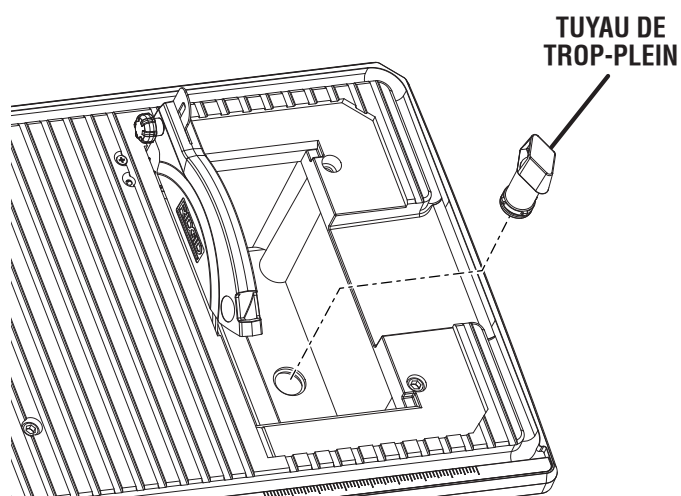


Fig. 10

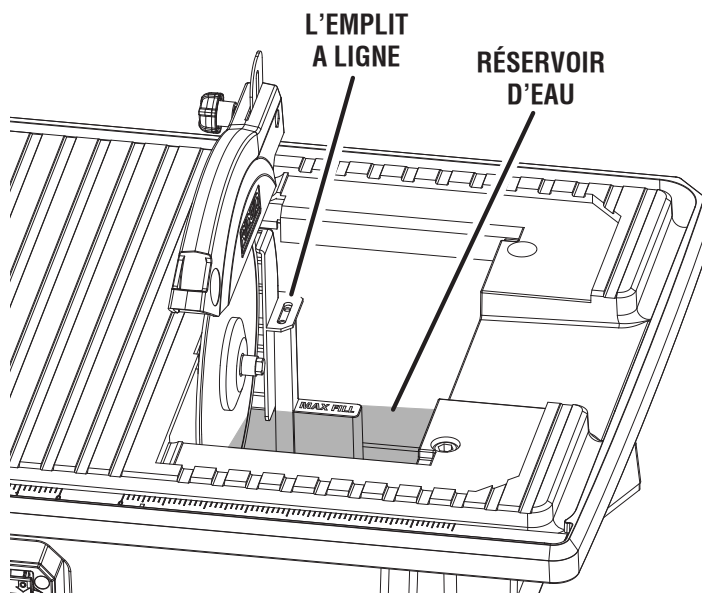


Fig. 11

UTILISATION

⚠ AVERTISSEMENT :

Ne pas laisser la familiarité avec l'outil faire oublier la prudence. Ne pas oublier qu'une fraction de seconde d'inattention peut entraîner des blessures graves.

⚠ AVERTISSEMENT :

Toujours porter une protection oculaire certifiée conforme à la norme ANSI Z87.1. Si cette précaution n'est pas prise, des objets peuvent être projetés dans les yeux et causer des lésions graves.

⚠ AVERTISSEMENT :

Ne pas utiliser d'outils ou accessoires non recommandés pour cet outil. L'utilisation de pièces et accessoires non recommandés peut entraîner des blessures graves.

APPLICATIONS

Cet outil peut être utilisé pour les applications ci-dessous :

- La ligne droite coupant des opérations comme coupes transversales, coupe d'onglet, courte longitudinale, et biseau

NOTE : Cette scie est conçue pour couper le carreau fabriqué par l'homme, pavés, et les produits de carreaux de pierre seulement.

COMMUTATEUR MARCHE / ARRÊT

Voir la figure 12.

Ce produit est équipé d'un commutateur avec dispositif de verrouillage intégré. Ce dispositif est conçu pour empêcher l'utilisation non autorisée et potentiellement dangereuse par des enfants ou personnes non compétentes.

Pour mettre la scie en marche :

- Le relever pour mettre la scie en **MARCHE**.

Pour arrêter la scie :

- Abaisser le commutateur en position **d'ARRÊT**.

Pour verrouiller la scie :

- Avec la scie éteindre, installer un cadenas (non inclus) dans le trou de la commutateur.

⚠ AVERTISSEMENT :

Lorsque l'outil n'est pas en usage, toujours retirer la clé et la ranger en lieu sûr. En cas de panne secteur, mettre le commutateur en position **D'ARRÊT**. Ceci empêchera un démarrage accidentel lorsque le courant est rétabli.

⚠ AVERTISSEMENT :

TOUJOURS s'assurer que la pièce n'est pas en contact avec la meule avant de mettre le commutateur de l'outil en position de marche. Ne pas prendre cette précaution peut causer le rebond de la pièce en direction de l'opérateur et d'entraîner des blessures graves.

⚠ AVERTISSEMENT :

Pour éviter un démarrage accidentel, **TOUJOURS** s'assurer que le commutateur est en position **D'ARRÊT** avant de brancher l'outil.

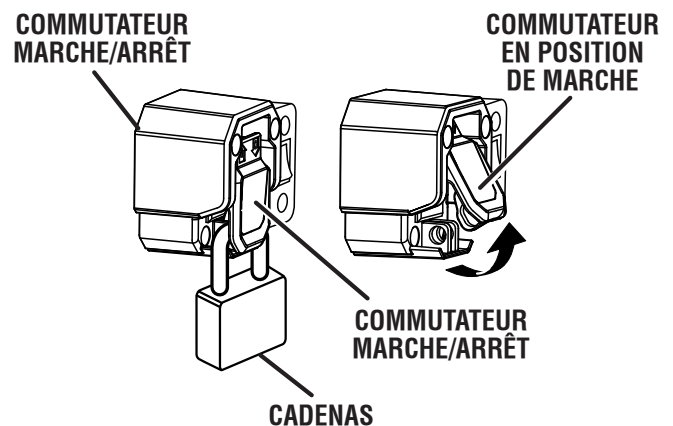


Fig. 12

UTILISATION

UTILISANT LE GUIDE LONGITUDINAL

Voir la figure 13.

Le guide longitudinal peut être utilisé du côté gauche ou droit de la meule. Le côté plat de la guide de bord doit toujours faire face à la meule de coupe. L'ensemble de levier de verrouillage peut être repositionné pour chaque côté du guide de bord.

- Placer le guide longitudinal à la position désirée de l'échelle du guide, qui est situé à l'avant de la table.
- Tourner le bouton de l'échelle du guide dans le sens horaire afin de le serrer solidement. Si bien verrouillé, le levier de verrouillage devrait être orienté vers le bas.

Déplacement de la ensemble de levier de verrouillage:

- Déverrouiller le guide de bord al hilo et retirer le guide de table de la scie.
- Retirer le guide d'onglet de guide de bord.
- Desserrez le bouton de ensemble de levier jusqu'à ensemble de levier de verrouillage peut être supprimé.
- Tourner le guide de bord autour jusqu'à ce que le côté plat du guide de bord est confrontée à la meule de coupe.
- Placez la vis dans la fente sur le dessus de ensemble de levier de verrouillage.

NOTE : La rondelle plate doit être contre le fond du bouton de ensemble de levier.

- Serrer fermement le bouton de ensemble de levier.

UTILISANT LE GUIDE D'ONGLET

Voir la figure 14.

Réglage l'angle :

- Glisser le guide d'onglet sur le guide longitudinal à partir de l'avant.
- Desserrez le bouton y régler le guide longitudinal à la position désirée.
- Serrer solidement à bouton de verrouillage.

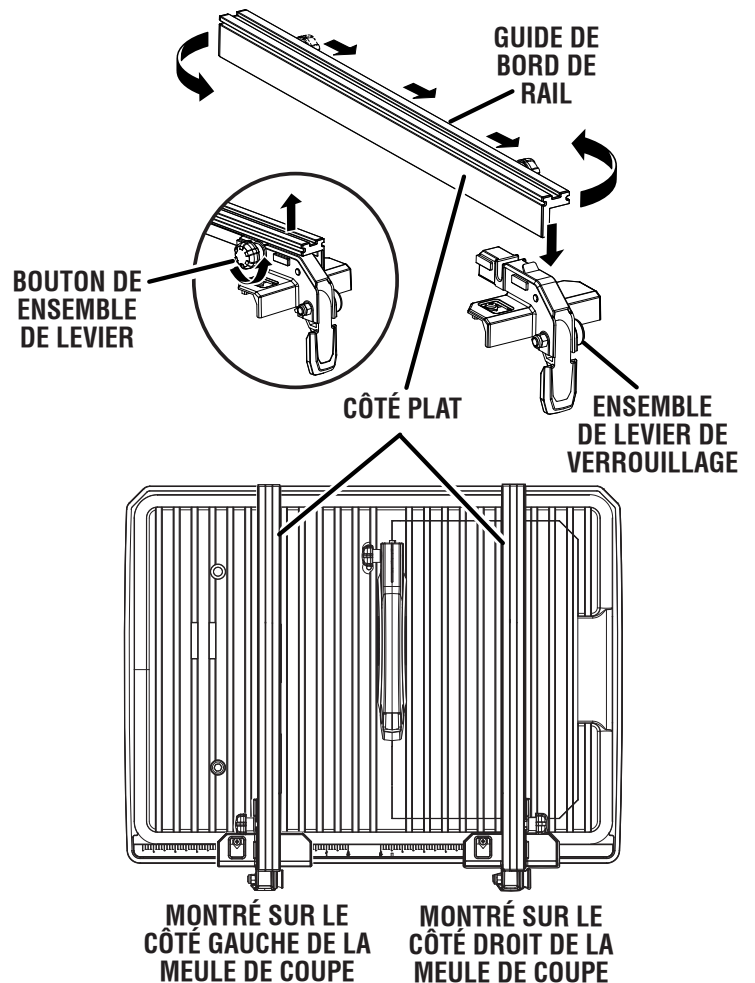


Fig. 13

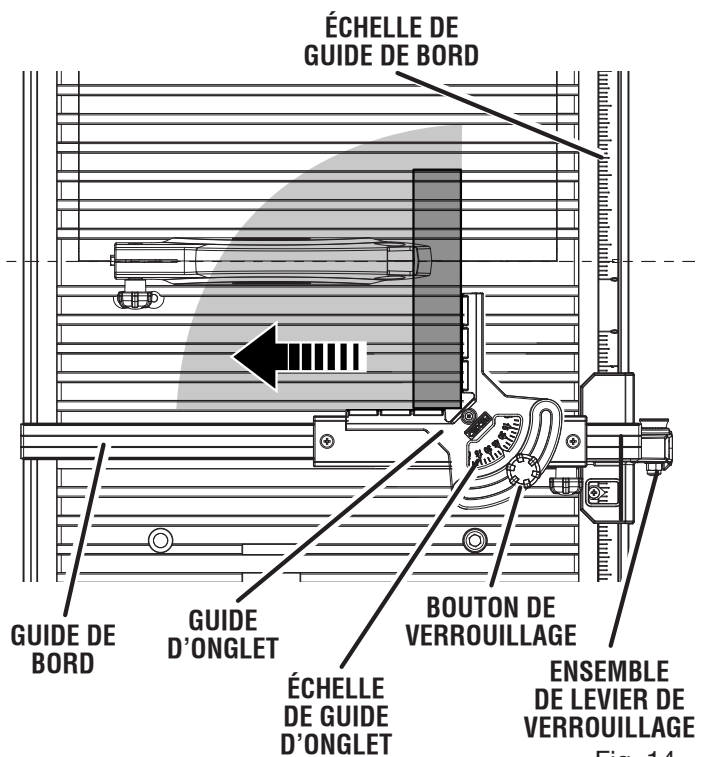


Fig. 14

UTILISATION

EXÉCUTION DE COUPES

Toujours dessiner la ligne être coupée sur le carreaux utilisant un crayon de borne ou graisse. Si le carreaux est brillant et dur-à-la marque, le lieu masquant la bande sur le carreau et marque la bande.

Un problème commun en coupant le carreaux erre de la ligne marquée. Une fois vous avez erré de la marque, vous ne pouvez pas forcer la muele de retour à la ligne en tordant le carreaux. Plutôt, la sauvegarde et recut que le carreaux coupant en tranches d'une petite quantité de carreau jusqu'à ce que la meule est arrière sur la piste.

Pour éviter ce problème, utiliser, dans la mesure du possible, le guide longitudinal pour effectuer des coupes transversales, le guide d'onglet pour effectuer des coupes d'onglet et la table de biseau pour effectuer des coupes en biseau.

Un autre problème est la coupe de matériaux difficiles. Pour éviter les éclats de la matière à la fin de la coupe: 1-1/2 po première coupe de la matière puis éteindre la scie; fretourner le matériel autour de 180 ° et faire la coupe.

Nettoyez la table de la scie, les guides de bord et d'onglet, et le table de biseau fréquemment pendant l'utilisation. Les débris de matériau coupe peut interférer avec la fonction outil.

POUR EFFECTUER UNE COUPE TRANSVERSALE

Voir la figure 15.

Les coupes transversale sont directement 90° les coupures. Le matériel est nourri dans la coupure à un 90° l'angle à la roue.

- L'utilisation d'un crayon de borne ou graisse, marquer le secteur être coupé sur le matériel.
- Retirer le guide d'onglet.
- Placer le guide de bord à la distance voulue de la muele pour la coupe et verrouiller fermement la levier.
- Placer le matériau sur la table et fermement contre le guide de bord.
- Avant d'allumer la scie, s'assurer que le matériaux ne touche pas la meule à carreaux.
- Mettre le commutateur marche/arrêt en position de **MARCHE**.
- Laissez le muele de coupe atteindre son régime maximum et attendre le muele pour obtenir mouillé avant d'avancer le matériau pour alimenter la pièce vers le meule.
- Maintenir la matériaux fermement contre le guide de borde et guide, et engager le muele de coupe.
- Une fois la coupe effectuée, **ARRÊT** (OFF) la scie. Attendre que la meule à carreaux s'arrête complètement avant de retirer le matériaux.

COUPE TRANSVERSALE

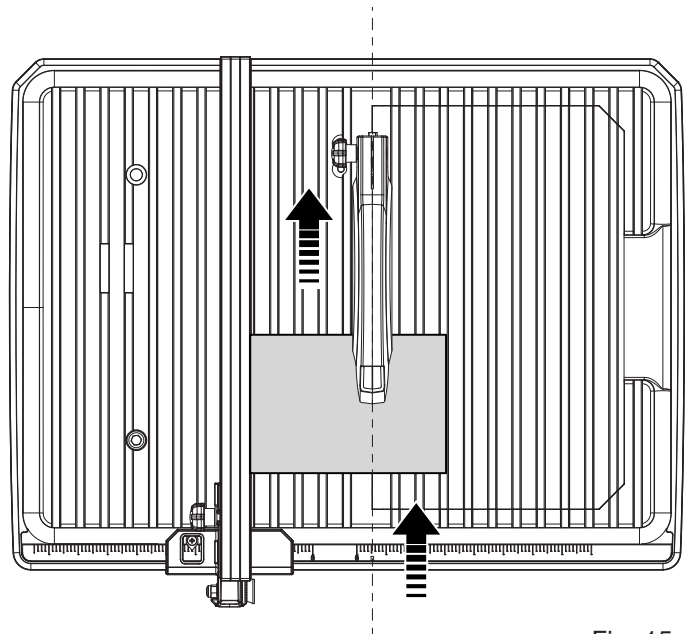


Fig. 15

UTILISATION

POUR EFFECTUER UNE COUPE EN DIAGONALE DE 45°

Voir la figure 16.

Les coupes diagonales de 45° sont aussi connues sous le nom de « coupes de long point à long point ».

- L'utilisation d'un crayon de borne ou graisse, marquer le secteur être coupé sur le matériel.
- Installer le guide d'onglet.
- Avant le guide d'onglet à 45° utilisant l'échelle d'angle et resserre assurément avec le bouton.
- Placer le guide de bord à la distance voulue de la meule pour la coupe et verrouiller fermement la levier.
- Placer le matériau sur la table et fermement contre le guide de bord.
- Avant d'allumer la scie, s'assurer que le matériaux ne touche pas la meule à carreaux.
- Mettre le commutateur marche/arrêt en position de **MARCHE** (ON).
- Laissez le muele de coupe atteindre son régime maximum et attendre le muele pour obtenir mouillé avant d'avancer le matériau pour alimenter la pièce vers le meule.
- Tenir le matériel fermement contre le guide de mitre et le guide de chute le long de guide longitudina. Nourrir le matériel dans le muele de coupe.
- Une fois la coupe effectuée, **ARRÊT** (OFF) la scie. Attendre que la meule à carreaux s'arrête complètement avant de retirer le matériaux.

POUR EFFECTUER UNE COUPE D'ONGLET

Voir la figure 17.

Une coupe d'onglet pour couper les coins intérieures et extérieures de tuiles, de moulures murales décoratives et de plinthes avec le matériel à n'importe quel angle à la roue autrement que 90°. Les coupes d'onglet ont tendance à « ramper » pendant la coupe. Ceci peut être contrôlé en tenant la pièce assurément contre guide d'onglet.

- L'utilisation d'un crayon de borne ou graisse, marquer le secteur être coupé sur le matériel.
- Installer le guide d'onglet.
- Régler à l'angle désiré avec l'échelle d'angle et serrer solidement à l'aide du bouton.
- Placer le guide d'onglet à la distance voulue de la meule pour la coupe et verrouiller fermement la levier.
- Placer le matériau sur la table et fermement contre le guide de bord.
- Avant d'allumer la scie, s'assurer que le matériaux ne touche pas la meule à carreaux.
- Mettre le commutateur marche/arrêt en position de **MARCHE** (ON).
- Laissez le muele de coupe atteindre son régime maximum et attendre le muele pour obtenir mouillé avant d'avancer le matériau pour alimenter la pièce vers le meule.

COUPE EN DIAGONALE

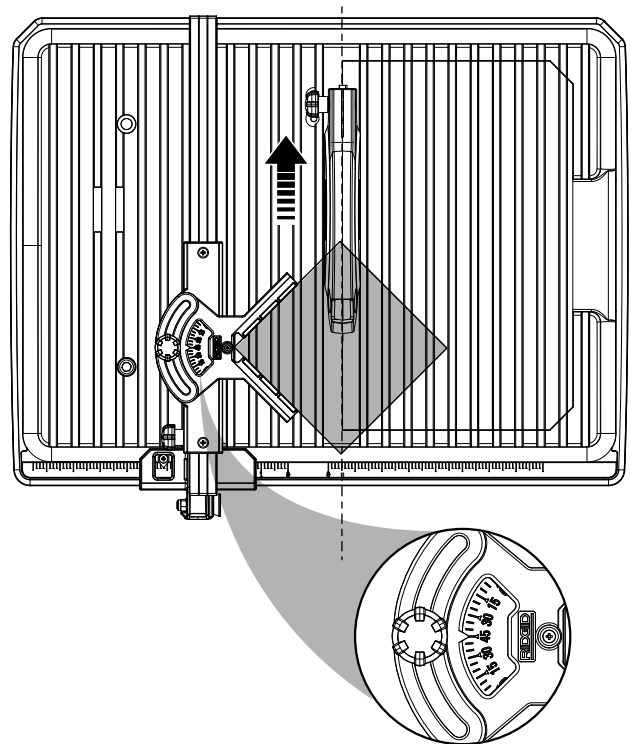


Fig. 16

COUPE D'ONGLET

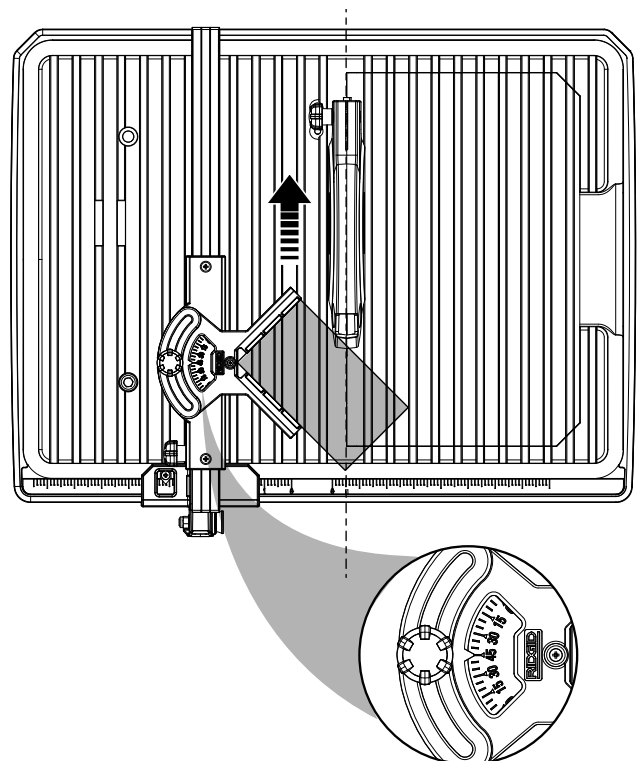


Fig. 17

UTILISATION

- Maintenir la matériaux fermement contre le guide de borde et guide, et engager le muele de coupe.
- Une fois la coupe effectuée, **ARRÊT** (OFF) la scie. Attendre que la meule à carreaux s'arrête complètement avant de retirer le matériaux.

POUR EFFECTUER UNE COUPE EN L

Voir la figure 18.

Une coupe en L est une section de la matériaux q'on retire et qu'on utilise lorsqu'on coupe un morceau de matériaux afin de l'ajuster dans le coin d'une armoire ou une boiserie et sont fait par deux coupures séparées.

NOTE : Seulement overcut dessous ou au-dessous du côté du matériel est coupé.

- L'utilisation d'un crayon de borne ou graisse, marquer le secteur être coupé sur le matériel.
- Retirer le guide d'onglet.
- Placer le guide de bord à la distance voulue de la muele pour la coupe et verrouiller fermement la levier.
- Placer le matériau sur la table et l'appuyer fermement contre le guide longitudinal.
- Avant d'allumer la scie, s'assurer que le matériaux ne touche pas la meule à carreaux.
- Mettre le commutateur marche/arrêt en position de **MARCHE**.
- Laissez le muele de coupe atteindre son régime maximum et attendre le muele pour obtenir mouillé avant d'avancer le matériau pour alimenter la pièce vers le meule.
- Maintenir la matériaux fermement contre le guide de borde et guide, et engager le muele de coupe.
- Faire la coupe loin assez dans le matériel sans surcoupe.
- Une fois la coupe effectuée, **ARRÊT** (OFF) la scie. Attendre que la meule à carreaux s'arrête complètement avant de retirer le matériaux.
- Tourner le matériel, régler le guide de bord, et faire la deuxième coupe le long d'une des marques. Ce surcoupe de temps l'autre ligne et le morceau de coupure doivent séparer du reste du matériel.
- Une fois la deuxième coupe effectuée, **ARRÊT** (OFF) la scie. Attendre que la meule à carreaux s'arrête complètement avant de retirer le matériaux.

CORTE A INGLETE

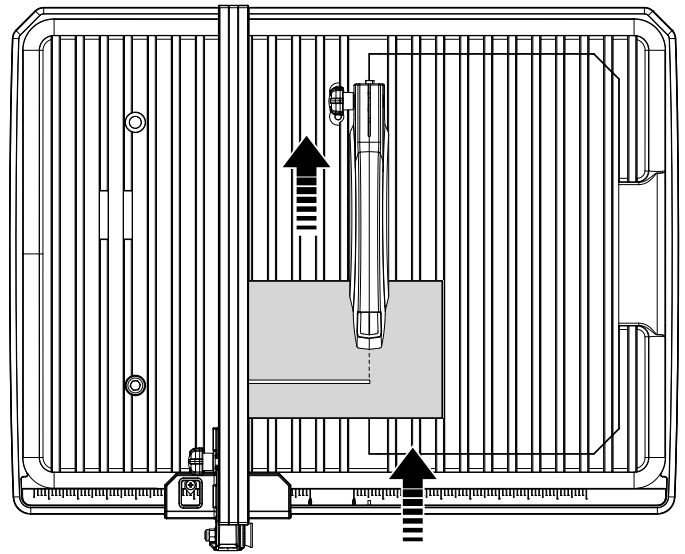


Fig. 18

UTILISATION

POUR EFFECTUER UNE COUPE BISEAU

Voir les figures 19 et 20.

La table de biseau permet d'effectuer des coupes en biseau de 22,5° et 45°.

- L'utilisation d'un crayon de borne ou graisse, marquer le secteur être coupé sur le matériel.
- Retirer le guide de bord.
- Incliner la table de biseau.
- En dessous de la table de biseau, descendre les pattes de la table et les insérer dans la plaque aux angles appropriés.
 - Utiliser les premières encoches des pattes pour fixer la plaque à un angle de 22,5°.
 - Utiliser le second ensemble d'encoches pour incliner la table de biseau au maximum, soit à 45°.

NOTE : Assurer la table de biseau est fermement verrouillée à sa place avant commencer de coupe.

- Mettre le commutateur marche/arrêt en position de **MARCHE**.
- Laissez le muele de coupe atteindre son régime maximum et attendre le muele pour obtenir mouillé avant d'avancer le matériau pour alimenter la pièce vers le meule.
- Maintenir la matériaux fermement contre la table de biseau, et engager le muele de coupe.
- Une fois la coupe effectuée, **ARRÊT** (OFF) la scie. Attendre que la meule à carreaux s'arrête complètement avant de retirer le matériaux.

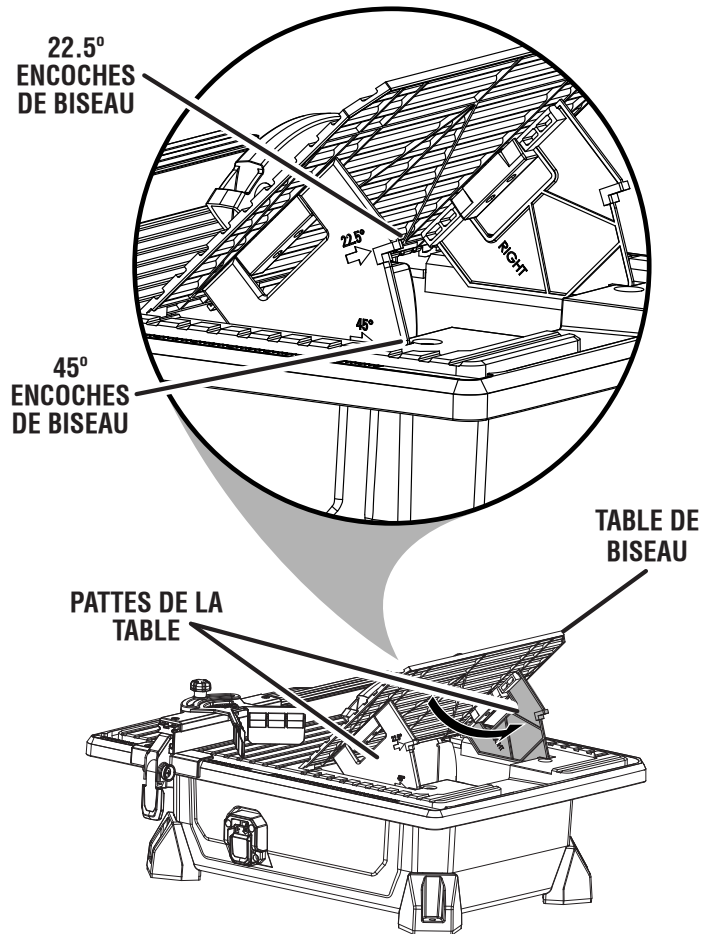


Fig. 19

COUPE EN BISEAU

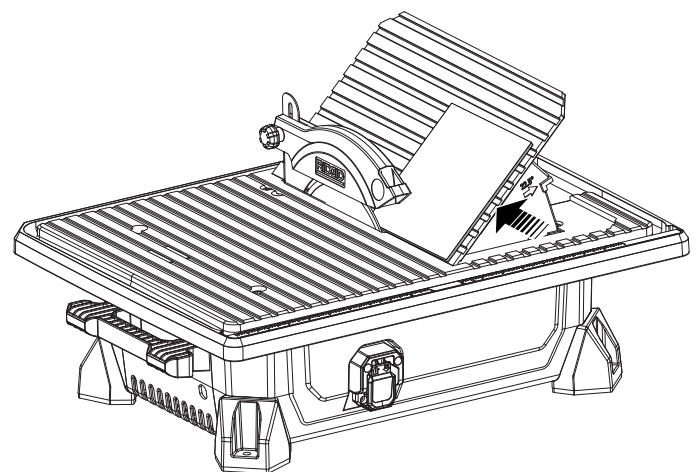


Fig. 20

RÉGLAGE

⚠ AVERTISSEMENT :

Avant d'effectuer tout réglage, s'assurer que l'outil est débranché et que son commutateur est en position d'arrêt (OFF). Le non-respect de cet avertissement pourrait entraîner des blessures graves.

Cette scie à table a été réglée en usine pour effectuer des coupes très précises. Toutefois, certains composants peuvent avoir été désalignés pendant le transport. En outre, après un certain temps des réglages s'avéreront probablement nécessaires, du fait de l'usure.

Ne procéder à aucun réglage avant d'avoir effectué des vérifications avec une équerre et exécuté des coupes d'essai, pour s'assurer que des réglages sont nécessaires.

ÉQUERRAGE MUELE DE COUPE PAR RAPPORT À LA TABLE

Voir la figure 21.

Ne pas desserrer aucune boulons pour cet ajustement avant de vérifier avec une équerre et faire des coupes d'essai pour être certain que les ajustements sont nécessaires. Une fois les boulons desserrés, ces items doivent être ajustés de nouveau.

- Débrancher la scie.
- Retirer la table de biseau.
- Soulever et retirer les capuchons de protection des quatre boulons hex.
- Utilisation clé hexagonale, desserrer le boulon hexagonal le table de la scie.
- Placer une équerre de charpentier contre la guide de bord et le plat de la meule.
- Déplacer la table de la scie est carrée avec la meule de coupe.
- Serrer fermement boulon hex et retirer le bouchons.

AJUSTER DE CAME DE ENSEMBLE DE LEVIER DE VERROUILLAGE

Voir la figure 22.

Au fil du temps, le guide de bord peut devenir détachées. Si le guide de bord ne se verrouille pas solidement la table de la scie, des ajustements peuvent être nécessaires.

- Débrancher la scie.
- Retirez l'ensemble levier de verrouillage du guide de bord.
- Utiliser une clé et un tournevis, desserrer et retirer la vis et écrou de fixation de la came à ensemble de levier.
- Tirez la came légèrement et tourner la came une dent, puis aligner les dents de la came avec les fentes sur le côté du levier de verrouillage.
- Réinstallez de la vis et écrou. Serrer fermement.

NOTE : Si le guide de bord est toujours, répéter les étapes ci-dessus au besoin.

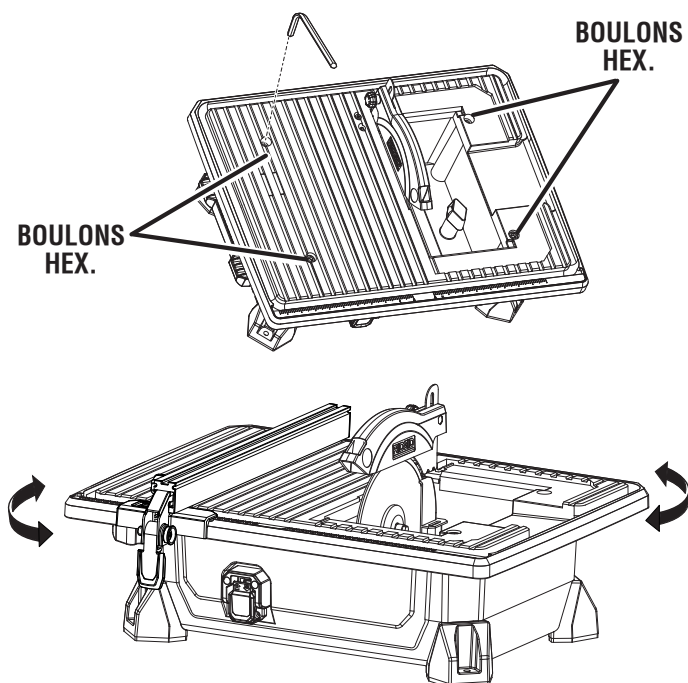


Fig. 21

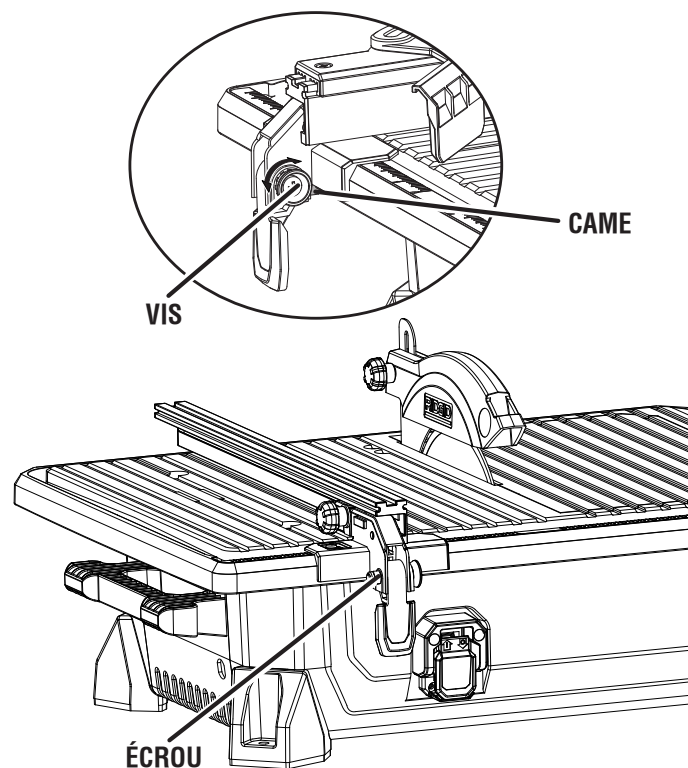


Fig. 22

ENTRETIEN

AVERTISSEMENT :

Utiliser exclusivement des pièces RIDGID identiques à celles d'origine pour les réparations. L'usage de toute autre pièce pourrait créer une situation dangereuse ou endommager l'outil.

AVERTISSEMENT :

Toujours porter une protection oculaire certifiée conforme à la norme ANSI Z87.1 lors de l'utilisation de produit. Si une opération dégage de la poussière, porter également un masque anti-poussière.

ENTRETIEN GÉNÉRAL

Éviter d'utiliser des solvants pour le nettoyage des pièces en plastique. La plupart des matières plastiques peuvent être endommagées par divers types de solvants du commerce. Utiliser un chiffon propre pour éliminer la saleté, la poussière, l'huile, la graisse, etc.

AVERTISSEMENT :

Ne jamais laisse de liquides tels que le fluide de freins, l'essence, les produits à base de pétrole, les huiles pénétrantes, etc., entrer en contact avec les pièces en plastique. Les produits chimiques peuvent endommager, affaiblir ou détruire le plastique, ce qui peut entraîner des blessures graves.

LUBRIFICATION

Tous les roulements de cet outil sont garnis d'une quantité de graisse de haute qualité, suffisante pour la durée de vie de l'outil, dans des conditions d'utilisation normales.

NETTOYER DE GUIDE DE BORD ET GUIDE D'ONGLET

Pendant l'usage, la guide de bord et guide d'onglet deviendra empêcher sale les guides du glissement facilement. C'est important de nettoyer la scie souvent.

NETTOYER DE LA SCIE

- Débrancher la scie.
- Retirer les guides et le table de biseau de la scie.
- Utiliser une petite brosse et / ou de l'eau, nettoyer à fond chaque pièce enlever tout débris piégés
- Retirer le tuyau de trop-plein et le vider dans un seau. Éviter les éclaboussures sur le sol ou autour de la machine.
- Rincer attentivement la machine.
- Jetez de l'eau de gaspillage conformément aux règlements locaux.
- Replacer le bouchon de vidange. Serrer solidement.
- Faire sécher l'outil.

GARANTIE

OUTILS ÉLECTRIQUES À MAIN ET D'ÉTABLI RIDGID® GARANTIE LIMITÉE DE SERVICE DE 3 ANS

Une preuve d'achat doit être présentée pour toute demande de réparation sous garantie.

Cette garantie se limite aux outils électriques à main et d'établi RIDGID® achetés à partir du 1/2/04. Ce produit est fabriqué par One World Technologies, Inc., sous licence de marque de RIDGID®, Inc. Toutes les communications de garantie doivent être adressées à One World Technologies, Inc., aux soins de : Service technique des outils motorisés à main et d'établi RIDGID®, au 1-866-539-1710 (appel gratuit).

GARANTIE DE 90 JOURS EN CAS DE NON SATISFACTION

Si le client n'est pas satisfait pour quelque raison que ce soit au cours des 90 jours suivant la date d'achat de cet outil à main ou d'établi RIDGID®, il pourra retourner le produit au point de vente pour échange ou remboursement complet. Pour obtenir un outil en échange, l'équipement original devra être retourné, dans son emballage d'origine, accompagné d'une preuve d'achat. L'outil fourni en échange sera couvert par la garantie limitée pour le restant de la période de validité de 3 ANS.

CE QUI EST COUVERT PAR LA GARANTIE LIMITÉE DE TROIS ANS

Cette garantie sur les outils motorisés à main et d'établi RIDGID® couvre tous les vices de matériaux et de fabrication, ainsi que les articles de consommation courants, tels que balais, mandrins, moteurs, commandes, cordons, engrenages et même les piles d'outils sans fil de cet outil RIDGID®, pour une période de trois ans, à compter de la date d'achat. Les garanties d'autres produits RIDGID® peuvent être différentes.

RÉPARATIONS SOUS GARANTIE

Pour toute réparation sous garantie, cet outil RIDGID® devra être retourné, en port payé, à un centre de réparations agréé RIDGID® pour outils motorisés à main et d'établi. L'adresse du centre de réparation agréé le plus proche peut être obtenue en appelant au 1-866-539-1710 (appel gratuit), ou en accédant au site Internet RIDGID® : www.ridgid.com. Le centre de réparation agréé corrigera tout défaut de fabrication et réparera ou remplacera (à notre discrétion) gratuitement toute pièce défectueuse.

CE QUI N'EST PAS COUVERT

La garantie ne couvre que l'acheteur original et n'est pas transférable. Cette garantie ne couvre que les problèmes de fonctionnement, défaillances ou autres défauts résultant d'un usage inadéquat ou abusif, de la négligence, de la modification, de l'altération ou de réparations effectuées par un centre de service autre qu'un centre de réparation agréé d'outils motorisés à main et d'établi RIDGID®. Les accessoires jetables fournis avec cet outil, tels que, notamment, les lames, embouts et abrasifs, ne sont pas couverts.

RIDGID®, INC., ET ONE WORLD TECHNOLOGIES, INC. NE FONT AUCUNE AUTRE GARANTIE, REPRÉSENTATION OU PROMESSE CONCERNANT LA QUALITÉ ET LES PERFORMANCES DE SES OUTILS MOTORISÉS, AUTRES QUE CELLES EXPRESSÉMENT INDIQUÉES DANS LE PRÉSENT DOCUMENT.

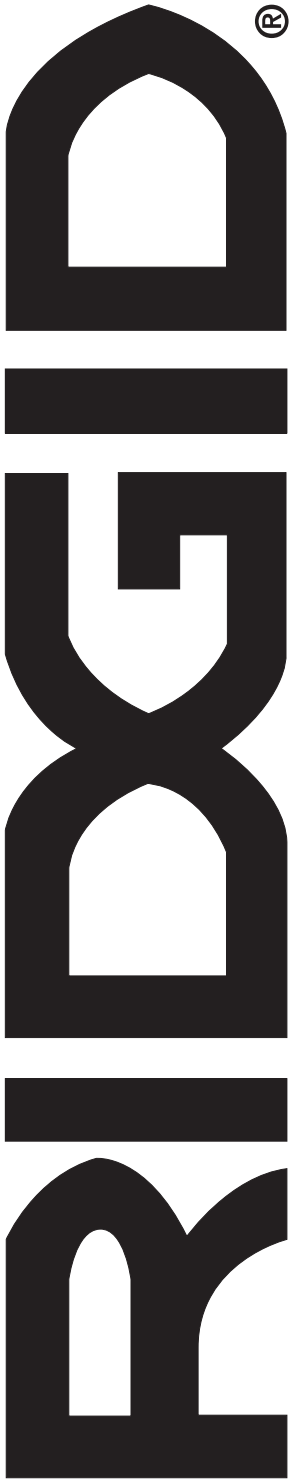
AUTRES LIMITATIONS

Sous réserve des lois en vigueur, toutes les garanties implicites sont exclues, y compris les GARANTIES DE VALEUR MARCHANDE ou D'ADÉQUATION À UN USAGE PARTICULIER. Toutes les garanties implicites, y compris les garanties de valeur marchande ou d'adéquation à un usage particulier ne pouvant pas être exclues en raison des lois en vigueur, sont limitées à une durée de trois ans, à compter de la date d'achat. One World Technologies, Inc. et RIDGID®, Inc. déclinent toute responsabilité pour les dommages directs ou indirects. Certains états et provinces ne permettant pas de limitation sur la durée des garanties implicites, et/ou l'exclusion ou la limitation des dommages directs ou indirects, les restrictions ci-dessus peuvent ne pas être applicables. Cette garantie donne au consommateur des droits spécifiques, et celui-ci peut bénéficier d'autres droits, qui varient selon les états ou provinces.

One World Technologies, Inc.

P.O. Box 35, Hwy. 8

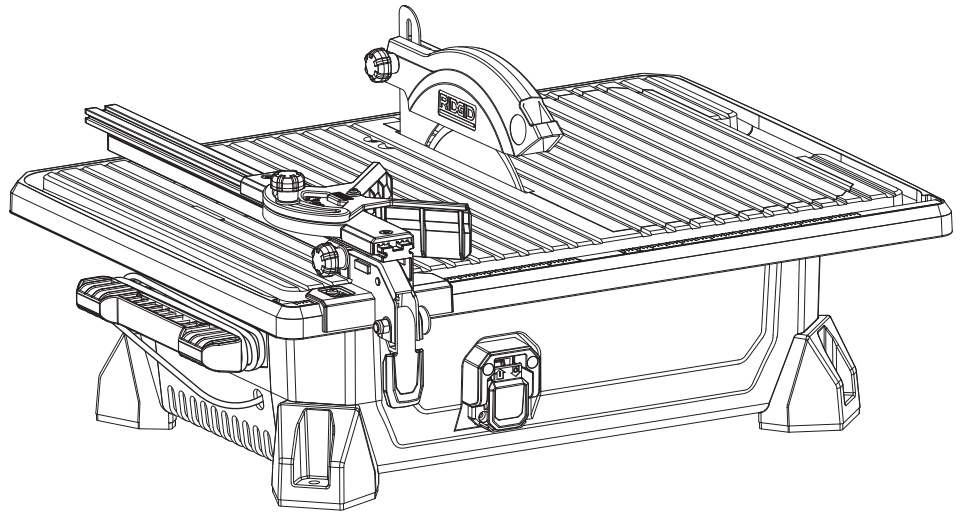
Pickens, SC 29671, ÉTATS-UNIS



MANUAL DEL OPERADOR

SIERRA DE LOSAS DE 178 mm (7 pulg.)

R4020



To register your RIDGID
product, please visit:
<http://register.RIDGID.com>

Pour enregistrer votre
produit de RIDGID,
s'il vous plaît la visite:
<http://register.RIDGID.com>

Para registrar su producto
de RIDGID, por favor visita:
<http://register.RIDGID.com>

Su sierra de losas ha sido diseñada y fabricada de conformidad con nuestras estrictas normas para brindar fiabilidad, facilidad de uso y seguridad para el operador. Con el debido cuidado, le brindará muchos años de sólido y eficiente funcionamiento.

⚠ ADVERTENCIA:

Para reducir el riesgo de lesiones, el usuario debe leer y comprender el manual del operador antes de usar este producto.

Le agradecemos la compra de un producto RIDGID®.

GUARDE ESTE MANUAL PARA FUTURAS CONSULTAS

TABLA DE MATERIAS

■ Introducción.....	2
■ Reglas de seguridad generales	3-4
■ Reglas de seguridad específicas.....	5
■ Símbolos.....	6
■ Aspectos eléctricos	7-8
■ Características.....	9-10
■ Herramientas necesarias	10
■ Piezas sueltas.....	11
■ Armado	12-14
■ Funcionamiento.....	15-20
■ Ajustes	21
■ Mantenimiento.....	22
■ Garantía	23
■ Pedidos de piezas y servicio	pág. posterior

INTRODUCCION

Este producto ofrece numerosas características para hacer más agradable y placentero su uso. En el diseño de este producto se ha conferido prioridad a la seguridad, el desempeño y la fiabilidad, por lo cual se facilita su manejo y mantenimiento.

REGLAS DE SEGURIDAD GENERALES

ADVERTENCIA:

Lea y comprenda todas las instrucciones. El incumplimiento de las instrucciones señaladas abajo puede causar descargas eléctricas, incendios y lesiones serias.

LEA TODAS LAS INSTRUCCIONES

- **FAMILIARÍCESE CON SU HERRAMIENTA ELÉCTRICA.** Lea cuidadosamente el manual del operador. Aprenda los usos, limitaciones y posibles peligros relacionados con esta herramienta.
- **PROTÉJASE CONTRA DESCARGAS ELÉCTRICAS EVITANDO TOCAR CON EL CUERPO SUPERFICIES CONECTADAS A TIERRA.** Por ejemplo: tubos, radiadores, estufas y cajas de refrigeradores.
- **MANTENGA LAS PROTECCIONES EN SU LUGAR** y en buenas condiciones de trabajo.
- **RETIRE TODA LLAVE Y HERRAMIENTA DE AJUSTE.** Adquiera el hábito de verificar que se haya retirado de la herramienta eléctrica toda llave y herramienta de ajuste antes de encenderla.
- **MANTENGA LIMPIA EL ÁREA DE TRABAJO.** Una mesa o área de trabajo mal despejada es causa común de accidentes. **NO** deje herramientas o piezas de las en la herramienta mientras esté funcionando.
- **NO UTILICE LA HERRAMIENTA EN ENTORNOS PELIGROSOS.** No utilice las herramientas eléctricas en lugares húmedos o mojados ni las exponga a la lluvia. Mantenga bien iluminada el área de trabajo.
- **MANTENGA ALEJADOS A LOS NIÑOS Y DEMÁS CIRCUNSTANTES.** Todos los presentes deben llevar puestos anteojos de seguridad y permanecer a una distancia segura del área de trabajo. No permita que ninguno de los presentes toque la herramienta eléctrica o el cordón de extensión mientras esté funcionando la unidad.
- **HAGA SU TALLER A PRUEBA DE NIÑOS** con candados, interruptores maestros y retirando las llaves de arranque.
- **NO FUERCE LA HERRAMIENTA.** Efectúa el trabajo mejor y de manera más segura, si se utiliza a la velocidad de avance para la que está diseñada.
- **USE LA HERRAMIENTA ADECUADA PARA LA TAREA.** No fuerce la herramienta ni ningún accesorio a efectuar tareas para las que no están hechos.
- **USE UN CORDÓN DE EXTENSIÓN ADECUADO.** Asegúrese de que esté en buen estado el cordón de extensión. Al utilizar un cordón de extensión sólo utilice uno del calibre suficiente para soportar la corriente que consume el producto. Un cordón de un grosor insuficiente causa una caída en el voltaje de línea, y produce recalentamiento y pérdida de potencia. Se recomienda

que los conductores sean de calibre **14** (A.W.G.) por lo menos, para un cordón de extensión de 7,6 metros (25 pies) de largo o menos. Si tiene dudas, utilice un cordón del calibre más grueso siguiente. Cuanto menor es el número de calibre, mayor es el grosor del cordón.

- **VÍSTASE ADECUADAMENTE.** Evite ponerse ropas holgadas, corbatas ni joyas que puedan engancharse y tirar de usted hacia las piezas en movimiento. Se recomiendan guantes y calzado antiderrapantes (botes de goma) al trabajar al aire libre. Si tiene el pelo largo cúbrase de alguna manera para contenerlo.
- **SIEMPRE PÓNGASE ANTEOJOS DE SEGURIDAD CON PROTECCIÓN LATERAL.** Los anteojos de uso diario tienen lentes resistentes a golpes únicamente; **NO** son anteojos de seguridad.
- **ASEGURE LA PIEZA DE TRABAJO.** Utilice prensas de mano o de banco para sujetar la pieza de trabajo cuando resulte práctico hacerlo; es más seguro que utilizar la mano y quedan ambas manos libres para manejar la herramienta.
- **NO ESTIRE EL CUERPO PARA ALCANZAR MAYOR DISTANCIA.** Mantenga una postura firme y buen equilibrio en todo momento.
- **DÉ MANTENIMIENTO CON CUIDADO A LAS HERRAMIENTAS.** Mantenga afiladas y limpias las herramientas para obtener el mejor desempeño y más seguro. Siga las instrucciones correspondientes al cambio y lubricación de accesorios.
- **DESCONECTE LAS HERRAMIENTAS.** Todas las herramientas deben desconectarse del suministro de corriente cuando no estén usándose, o al cambiarlas aditamentos, hojas de corte, brocas, fresas, etc.
- **EVITE UN ARRANQUE ACCIDENTAL DE LA UNIDAD.** Asegúrese de que el interruptor esté en la posición de apagado antes de conectar la clavija de cualquier herramienta.
- **USE ACCESORIOS RECOMENDADOS.** Consulte este manual del operador, donde aparecen los accesorios recomendados. El empleo de accesorios inadecuados puede causar lesiones.
- **NO SE PARE NUNCA EN LA HERRAMIENTA.** Pueden producirse lesiones graves si la herramienta eléctrica se vuelca o si se toca accidentalmente la herramienta de corte.
- **INSPECCIONE LAS PIEZAS DAÑADAS.** Antes de seguir utilizando la herramienta, es necesario inspeccionar cuidadosamente toda protección o pieza dañada para determinar si funcionará correctamente y desempeñará la función a la que está destinada. Verifique la alineación de las partes móviles, que no haya atoramiento de partes móviles, que no haya piezas rotas, el montaje de las piezas y cualquier otra condición que pudiera afectar su funcionamiento. Toda protección o pieza que esté dañada debe repararse apropiadamente o reemplazarse en un centro de servicio autorizado.

REGLAS DE SEGURIDAD GENERALES

- **AVANCE LA PIEZA DE TRABAJO EN LA DIRECCIÓN CORRECTA.** Solamente empuje la pieza de trabajo hacia la hoja, fresa o tambor de lijado, contra el sentido de rotación de éstos.
- **NUNCA DEJE FUNCIONANDO DESATENDIDA LA HERRAMIENTA. APAGUE LA CORRIENTE.** No abandone la herramienta hasta verla completamente detenida.
- **PROTÉJASE LOS PULMONES.** Use una careta o mascarilla contra el polvo si la operación de corte genera mucho polvo.
- **PROTÉJASE EL OÍDO.** Durante períodos prolongados de utilización de la unidad póngase protección para los oídos.
- **NO MALTRATE EL CORDÓN ELÉCTRICO.** Nunca porte la herramienta sujetándola por el cordón eléctrico, ni tire del mismo para desconectarla de la toma de corriente. Mantenga el cordón eléctrico alejado del calor, del aceite y de los bordes afilados.
- **SIEMPRE UTILICE UN CORDÓN ELÉCTRICO DE EXTENSIÓN QUE LLEVE LAS MARCAS “W-A” O “W”.** Estos cordones eléctricos están aprobados para el uso en exteriores y reducen el riesgo de descargas eléctricas.
- **SIEMPRE MANTENGA EL PROTECCIÓN PARA LA MUELA EN SU LUGAR** y en buenas condiciones de funcionamiento.
- **MANTENGA LAS MANOS ALEJADAS DEL ÁREA DE CORTE.** No trate de alcanzar bajo la pieza de trabajo o en la trayectoria de corte de la hoja con las manos y dedos por ninguna razón. Siempre apague la corriente.
- **LA MEULA DE CORTE CONTINÚA GIRANDO POR INERCIA DESPUÉS DE APAGARSE LA UNIDAD.**
- **NUNCA UTILICE LA UNIDAD EN UNA ATMÓSFERA EXPLOSIVA.** El chispeo normal del motor podría encender los gases presentes.
- **INSPECCIONE PERIÓDICAMENTE LOS CORDONES ELÉCTRICOS DE LAS HERRAMIENTAS.** Si están dañados, llévelos a un establecimiento de servicio autorizado para que los revise un técnico de servicio calificado. El conductor con aislamiento que tiene una superficie exterior verde con o sin tiras amarillas es el conductor de conexión a tierra del equipo. Si es necesaria la reparación o reemplazo del cordón eléctrico o de la clavija, no conecte el conductor de conexión a tierra a una terminal portadora de corriente. Repare o reemplace de inmediato todo cordón dañado o gastado. Siempre esté consciente de la ubicación del cordón y manténgalo bien alejado de la meula en movimiento de giro.
- **INSPECCIONE PERIÓDICAMENTE LOS CORDONES DE EXTENSIÓN** y reemplácelos si están dañados.
- **CONECTE A TIERRA TODA HERRAMIENTA ELÉCTRICA.** Si la herramienta está provista de una clavija de tres puntas, debe conectarse en un enchufe eléctrico de tres polos.
- **CONECTE LA HERRAMIENTA SOLAMENTE A UNA TOMA DE CORRIENTE PROTEGIDA POR GFCI (INTERRUPTOR DE CIRCUITO CON PÉRDIDA A TIERRA).**
- **CONSULTE A UN ELECTRICISTA CALIFICADO** o técnico de servicio si no ha comprendido completamente las instrucciones de conexión a tierra o si no está seguro de que la herramienta está bien conectada a tierra.
- **USE SOLAMENTE LOS DISPOSITIVOS ELÉCTRICOS CORRECTOS:** cables de extensión de 3 conductores, con clavijas de tres puntas y contactos de tres polos que acepten la clavija del cable de la herramienta.
- **NO MODIFIQUE** la clavija suministrada. Si no entra en la toma de corriente, llame a un electricista calificado para que instale una toma de corriente adecuada.
- **MANTENGA LA HERRAMIENTA SECA, LIMPIA Y LIBRE DE ACEITE Y GRASA.** Siempre utilice un paño limpio para la limpieza de la unidad. Nunca utilice fluidos para frenos, gasolina, productos a base de petróleo ni solventes para limpiar la herramienta.
- **PERMANEZCA ALERTA Y EN CONTROL.** Preste atención a lo que esté haciendo y aplique el sentido común. No utilice la herramienta cuando esté cansado. No se apresure.
- **NO UTILICE LA HERRAMIENTA SI EL INTERRUPTOR NO ENCIENDE O NO APAGA.** Lleve todo interruptor defectuoso a un centro de servicio autorizado para que lo reparen.
- **SÓLO UTILICE MUELAS DE CORTE CORRECTAS.** No use muelas con orificio de un tamaño incorrecto. Nunca utilice arandelas ni pernos de la muela de corte dañados o inadecuados. La sierra tiene capacidad para rueda hasta de un diámetro de 178 mm (7 pulg.).
- **ANTES DE EFECTUAR UN CORTE VERIFIQUE QUE ESTÉN BIEN ASEGURADOS TODOS LOS DISPOSITIVOS DE AJUSTE.**
- **ASEGÚRESE DE QUE NO HAYA CLAVOS EN LA TRAYECTORIA DE LA MUELA.** Inspeccione la madera y elimine todos los clavos presentes en la misma antes de empezar a cortar.
- **NUNCA ARRANQUE LA HERRAMIENTA CUANDO LA PIEZA GIRATORIA CORRESPONDIENTE ESTÉ TOCANDO LA PIEZA DE TRABAJO.**
- **NO UTILICE NINGUNA HERRAMIENTA SI SE ENCUENTRA BAJO LOS EFECTOS DE DROGAS, ALCOHOL O MEDICAMENTOS.**
- **AL DAR SERVICIO** a la unidad, sólo utilice piezas de repuesto idénticas. El empleo de piezas diferentes puede causar un peligro o dañar el producto.
- **SOLAMENTE UTILICE ACCESORIOS** señalados en este manual o en los apéndices. El uso de accesorios no señalados en este manual puede presentar riesgos de lesiones corporales. Con los accesorios se incluyen instrucciones para el uso seguro de los mismos.
- **REVISE DOS VECES TODA CONFIGURACIÓN DE LA HERRAMIENTA.** Asegúrese de que la hoja esté apretada y de que no toque la sierra o la pieza de trabajo antes de conectar la unidad al suministro de corriente.

REGLAS DE SEGURIDAD ESPECÍFICAS

- **ASEGURE LA PIEZA DE TRABAJO** firmemente contra guía de ingletes o la guía.
- **NUNCA** se pare ni tenga ninguna parte del cuerpo en línea con la trayectoria de la hoja de la sierra.
- **NUNCA** intente liberar la muela de la sierra cuando esté trabada, sin antes **APAGAR** y desconectar la sierra de la toma de corriente.
- **SI ESTÁ DAÑADO EL CORDÓN DE CORRIENTE**, debe ser reemplazado únicamente por el fabricante o en un centro de servicio autorizado para evitar riesgos.
- **EVITE OPERACIONES Y POSICIONES EXTRAÑAS DE LAS MANOS** en las cuales un deslizamiento rápido puede hacer que la mano toque la herramienta de corte.
- **ASEGÚRESE DE QUE TODA EL ÁREA DE TRABAJO ESTÉ BIEN ILUMINADA** para ver la pieza de trabajo y que ninguna obstrucción impida una operación segura **ANTES** de efectuar cualquier trabajo con la sierra.
- **SIEMPRE APAGUE LA SIERRA** antes de desconectarla, para evitar un arranque accidental de la misma al volver a conectarla al suministro de corriente.
- **ESTA HERRAMIENTA** tendrá los siguientes avisos:
 - a) Póngase protección ocular, oídos y respirar.
 - b) Utilice protección de la muela para cada operación para que puede ser utilizado.
 - c) Siempre desconecte el suministro de corriente antes de realizar su mantenimiento, al cambiar las muelas o al limpiar la unidad.
 - d) Utilice la herramienta con orilla lisa muela para cortar orificios y muescas.
 - e) Reemplace dañado muela para cortar antes de operación.
 - f) No llene el recipiente de agua por encima de la línea de llenado.
- **GUARDE ESTAS INSTRUCCIONES.** Consúltelas con frecuencia y empléelas para instruir a otros usuarios. Si presta a alguien esta herramienta, facilítele también las instrucciones.

ADVERTENCIA:




Algunos polvos generados al efectuarse operaciones de lijado, aserrado, esmerilado, taladrado y de otros tipos en la construcción, contienen sustancias químicas sabidas causantes de cáncer, defectos congénitos y otras afecciones del aparato reproductor. Algunos ejemplos de estas sustancias químicas son:

- plomo de las pinturas a base de plomo,
- silicio cristalino de los ladrillos, del cemento y de otros productos de albañilería, y
- arsénico y cromo de la madera químicamente tratada.







El riesgo de la exposición a estos compuestos varía, según la frecuencia con que se realice este tipo de trabajo. Para reducir la exposición personal a este tipo de compuestos: trabaje en áreas bien ventiladas, y con equipo de seguridad aprobado, tal como las caretas para el polvo especialmente diseñadas para filtrar partículas microscópicas.

SÍMBOLOS

Las siguientes palabras de señalización y sus significados tienen el objeto de explicar los niveles de riesgo relacionados con este producto.

SÍMBOLO	SEÑAL	SIGNIFICADO
	PELIGRO:	Indica una situación peligrosa inminente, la cual, si no se evita, causará la muerte o lesiones serias.
	ADVERTENCIA:	Indica una situación peligrosa posible, la cual, si no se evita, podría causar la muerte o lesiones serias.
	PRECAUCIÓN:	Indica una situación peligrosa posible, la cual, si no se evita, podría causar lesiones menores o leves.
	PRECAUCIÓN:	(Sin el símbolo de alerta de seguridad) Indica una situación que puede producir daños materiales.

Es posible que se empleen en esta herramienta algunos de los siguientes símbolos. Le suplicamos estudiarlos y aprender su significado. Una correcta interpretación de estos símbolos le permitirá utilizar mejor y de manera más segura la herramienta.

SÍMBOLO	NOMBRE	DENOMINACIÓN / EXPLICACIÓN
	Alerta de seguridad	Indica un peligro posible de lesiones personales.
	Lea el manual del operador	Para reducir el riesgo de lesiones, el usuario debe leer y comprender el manual del operador antes de usar este producto.
	Protección para los ojos, oídos y respirar	Siempre utilice protección ocular con protección lateral con la marca de cumplimiento de la norma ANSI Z87.1, junto con protección auditiva y protección respirar.
	Alerta de condiciones húmedas	No exponga la unidad a la lluvia ni la use en lugares húmedos.
	No acercar las manos	Si no mantiene las manos alejadas de la rueda de corte, se causará serias lesiones corporales.
	Electrocución	El incumplimiento de conectar correctamente a tierra puede resultar en electrocución.
V	Voltaje	Voltaje
A	Amperes	Corriente
Hz	Hertz	Frecuencia (ciclos por segundo)
min	Minutos	Tiempo
~	Corriente alterna	Tipo de corriente
n_0	Velocidad en vacío	Velocidad de rotación, en vacío
.../min	Por minuto	Revoluciones, carreras, velocidad superficial, órbitas, etc., por minuto

PARTES ELÉCTRICAS

CABLES DE EXTENSIÓN

Sólo utilice cables de extensión de 3 conductores con clavijas de tres puntas y contactos de tres polos que acepten la clavija del cable de la herramienta. Si la herramienta eléctrica debe situarse a una distancia importante de la toma de corriente, asegúrese de que el cable de extensión que utilice tenga el grosor suficiente para soportar el consumo de corriente de la herramienta. Un cable de extensión de un grosor insuficiente causará caída del voltaje de la línea, además de producir pérdida de potencia y recalentamiento del motor. Básese en la tabla que se presenta abajo para calcular el calibre mínimo requerido de los conductores del cable de extensión. Solamente deben utilizarse cordones con forro redondo registrados en Underwriter's Laboratories (UL).

**Amperaje (aparece en la placa de datos de la herramienta)

Longitud del cordón	Calibre conductores (AWG)					
25'	16	16	16	16	14	14
50'	16	16	16	14	14	12
100'	16	16	14	12	10	—

**Se usa en los circuitos de calibre 12, de 20 amperes.

NOTA: AWG = American Wire Gauge

Al trabajar con la herramienta a la intemperie, utilice un cable de extensión fabricado para uso en exteriores. Tal característica está indicada con las letras "W-A" o "W" en el forro del cable.

Antes de utilizar un cable de extensión, inspecciónelo para ver si tiene conductores flojos o expuestos y aislamiento cortado o gastado.

Utilice solamente los cables de extensión destinados para uso en áreas exteriores. Puede identificarlos con la leyenda "Pueden usarse con dispositivos para exteriores: guardar en el interior cuando no se use." Utilice solamente los cables de extensión que tengan una clasificación eléctrica no menor a la clasificación del producto. No utilice el cable de extensión si está dañado, ni el cable de extensión y no lo desconecte de un tirón. Mantenga el cable alejado del calor y los bordes filosos. Siempre desconecte el cable de extensión del tomacorriente antes de desconectar el producto del cable de extensión.

ADVERTENCIA:

Mantenga el cable de extensión fuera del área de trabajo. Al trabajar con una herramienta eléctrica, coloque el cable de tal manera que no pueda enredarse en la madera, herramientas ni otros obstáculos. La falta de atención a esta advertencia puede redundar en lesiones graves.

ADVERTENCIA:

Inspeccione los cables de extensión cada vez antes de usarlos. Si están dañados, reemplácelos de inmediato. Nunca utilice la herramienta con un cable dañado, ya que si toca la parte dañada puede sufrir una descarga eléctrica, con las consecuentes lesiones graves.

CONEXIÓN ELÉCTRICA

Esta herramienta está impulsada por un motor eléctrico fabricado con precisión. Debe conectarse únicamente a **una línea de voltaje de 120 V, de corriente alterna (corriente normal para uso doméstico), 60 Hz**. No utilice esta herramienta con corriente continua (c.c.). Una caída considerable de voltaje causa pérdida de potencia y recalentamiento del motor. Si la sierra no funciona al conectarla en una toma de corriente, vuelva a revisar el suministro de corriente.

VELOCIDAD Y CABLEADO

La velocidad en vacío de esta herramienta es de 3 450 rpm aproximadamente. Esta velocidad no es constante y disminuye durante el corte o con un voltaje bajo. En cuanto al voltaje, el cableado dentro del taller es tan importante como la potencia nominal del motor. Una línea pensada sólo para iluminación no puede alimentar el motor de una herramienta eléctrica. El cable que tiene el calibre suficiente para una distancia corta, será demasiado delgado para una distancia mayor. Una línea que alimenta una herramienta eléctrica puede no ser suficiente para alimentar dos o tres herramientas.

INSTRUCCIONES DE CONEXIÓN A TIERRA

Vea la figura 1.

Este producto debe conectarse a tierra. En caso de un mal funcionamiento o desperfecto, la conexión a tierra brinda a la corriente eléctrica una trayectoria de mínima resistencia para disminuir el riesgo de una descarga eléctrica. Esta herramienta está equipada de un cordón eléctrico con un conductor y una clavija de conexión a tierra para equipo. La clavija debe conectarse en una toma de corriente igual que esté instalada y conectada a tierra correctamente, de conformidad con los códigos y reglamentos de la localidad.

No modifique la clavija suministrada. Si no entra en la toma de corriente, llame a un electricista calificado para que instale una toma de corriente adecuada.

ADVERTENCIA:

Si se conecta de forma incorrecta el conductor de conexión a tierra del equipo puede presentarse un riesgo de descarga eléctrica. Si es necesaria la reparación o reemplazo del cordón eléctrico o de la clavija, no conecte el conductor de conexión a tierra a una terminal portadora de corriente. El conductor con aislamiento que tiene una superficie exterior verde con o sin tiras amarillas es el conductor de conexión a tierra del equipo.

PARTES ELÉCTRICAS

Consulte a un electricista calificado o técnico de servicio si no ha comprendido completamente las instrucciones de conexión a tierra o si no está seguro si la herramienta está bien conectada a tierra.

Repáre o reemplace de inmediato todo cordón dañado o gastado.

Este producto se debe usar con un circuito de 120 V nominales y tiene una clavija de conexión a tierra similar a la clavija que se muestra en la figura 1. Conecte el producto únicamente a una toma de corriente que tenga la misma configuración que la clavija. No use un adaptador con este producto.

Este producto debe utilizarse conectada a un circuito con una toma de corriente como la mostrada en la figura 1. También dispone de una patilla de conexión a tierra como la mostrada.

Los circuitos o las tomas donde se conecta esta podadora de pasto deben estar protegidos con un interruptor de circuito accionado por falla de conexión a tierra (GFCI). Hay receptáculos con la protección de un GFCI integrado, y pueden utilizarse para contar con esta característica de seguridad.

Si el sierra es utilizado con un cable de extensión, asegure que la conexión del cable de alimentación del instrumento y el cable de extensión no está en el suelo.

Si una salida protegida no está disponible, no utilice el sierra hasta que una salida pueda ser cambiada o la protección auxiliara puede ser obtenida. Estos dispositivos auxiliares de la protección están disponibles en su detallista local.

POSICIONAR DEL SIERRA DE LOSAS

Vea la figura 2.

Para evitar que el tomacorriente o enchufe del accesorio se humedezcan, coloque la sierra de losas hacia un lado del tomacorriente que se encuentra en la pared, para que el agua no caiga sobre ésta o el enchufe. El usuario debería realizar una “vuelta de goteo” en el cable que conecta la sierra al tomacorriente. La “vuelta de goteo” es la parte del cable por debajo del nivel del tomacorriente, o el conector si se utiliza un cable de extensión, que evita que el agua se deslice por el cable y entre en contacto con el tomacorriente.

Si el enchufe o el tomacorriente se humedecieren, no desenchufe el cable. Desconecte el fusible o el interruptor automático que suministra electricidad a la herramienta. Luego desenchúfela y revise si hay agua en el tomacorriente.

ADVERTENCIA:

Para reducir el riesgo de electrocución, mantenga todas las conexiones secas y lejos del suelo. No toque el enchufe con las manos majadas.



Fig. 1

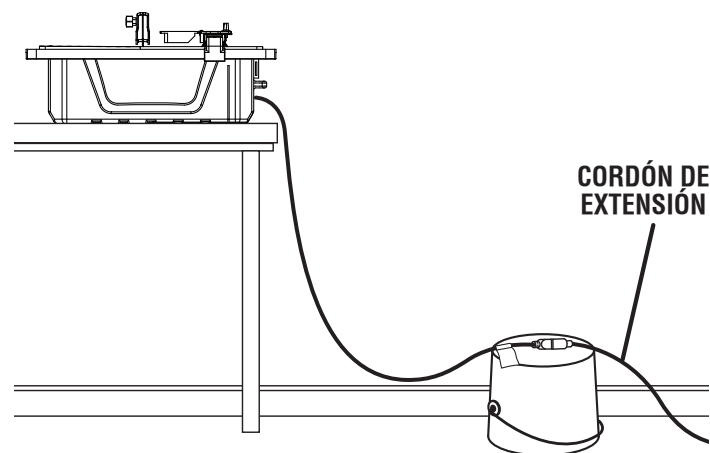
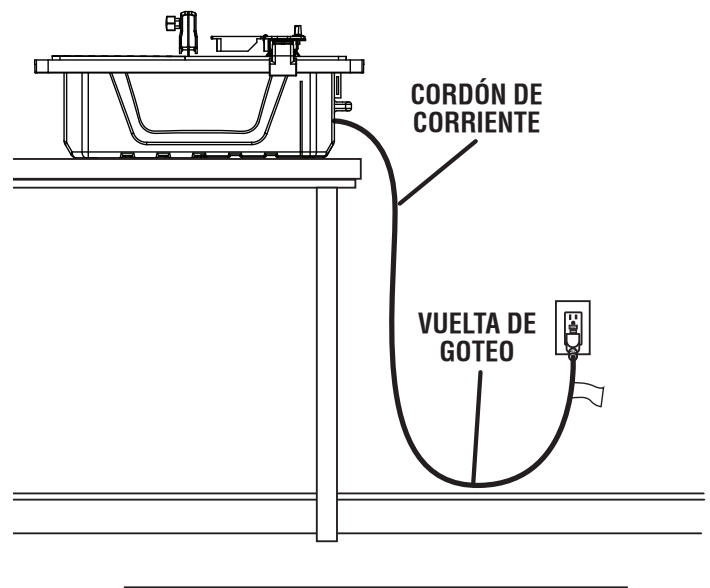


Fig. 2

CARACTERÍSTICAS

ESPECIFICACIONES DEL PRODUCTO

Diámetro de la hoja 178 mm (7 po)
Árbol de la hoja 15,8 mm (5/8 po)
Capacidad de corte al hilo (tamaño de losas)
..... 457 mm (18 po)

Capacidad de diagonal (tamaño de losas)
..... 305 mm (12 po)
Profundidad del corte máxima 31,7 mm (1-1/4 po)
Potencia nominal 120 V~, 6,5 A, 60 Hz
Velocidad en vacío 3 450 r/min (RPM)

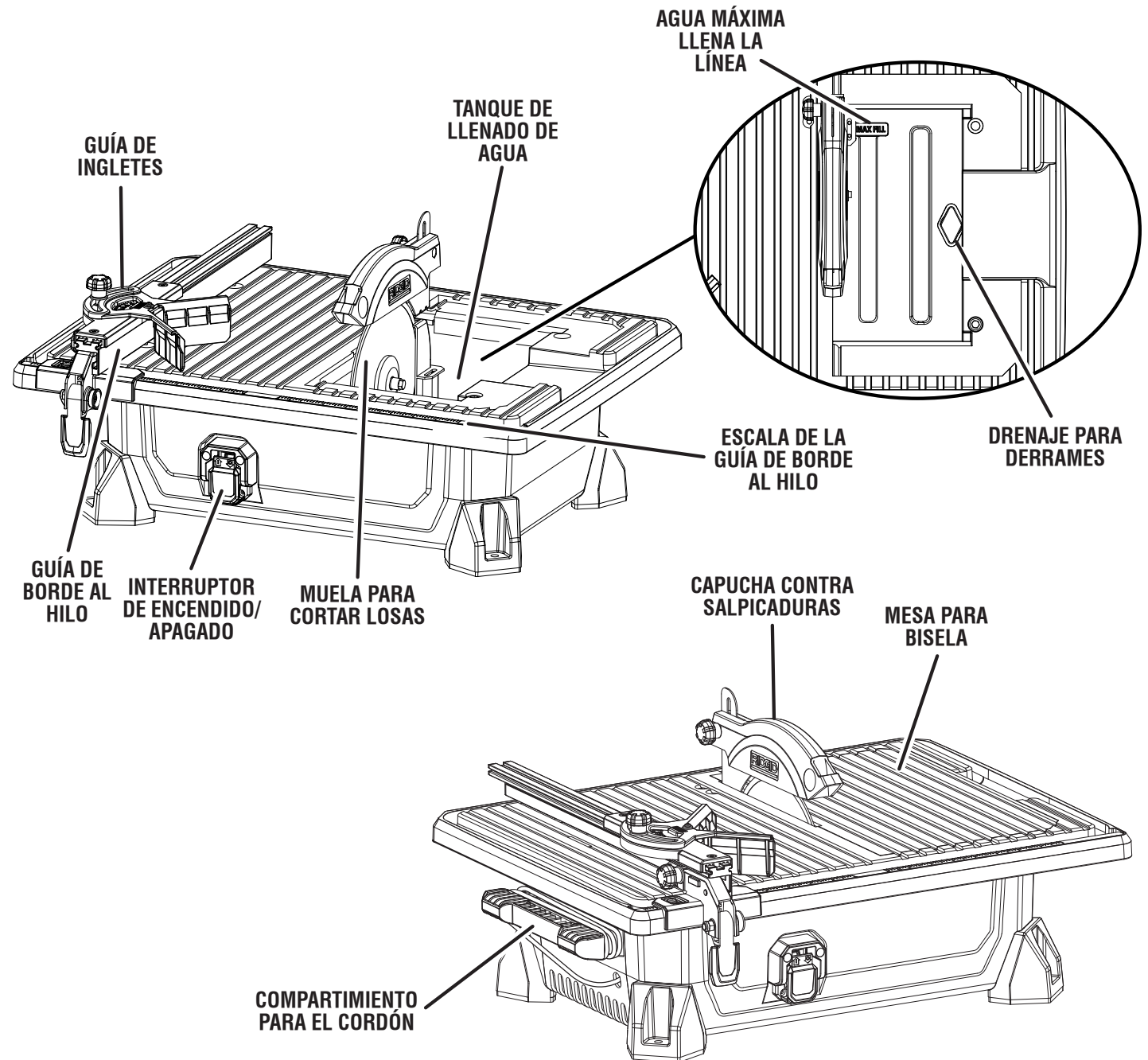


Fig. 3

CARACTERÍSTICAS

FAMILIARÍCESE CON LA SIERRA DE LOSAS

Vea la figura 3.

El uso seguro que este producto requiere la comprensión de la información impresa en la herramienta y en el manual del operador así como ciertos conocimientos sobre el proyecto a realizar. Antes de usar este producto, familiarícese con todas las características de funcionamiento y normas de seguridad.

178 mm (7 pulg.) MUELA PARA CORTAR LOSAS - 178 mm (7 pulg.) muela para cortar losas es incluido con su sierra.

ADVERTENCIA:

Asegúrese de usar únicamente muelas con velocidad nominal mínima inferior a la de esta herramienta. La inobservancia de esta advertencia puede causar lesiones serias.

MESA PARA BISEL - Se pueden efectuar cortes a bisel de 22,5° y 45° con la mesa para bisel.

GUÍA DE INGLETES - Este indicador de fácil lectura muestra el ángulo exacto para cortes.

MOTOR - Esta sierra dispone de un potente motor con suficiente potencia para realizar hasta los trabajos de corte más pesados.

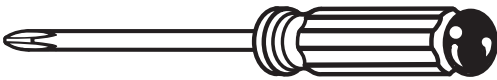
INTERRUPTOR DE ENCENDIDO/APAGADO - Esta sierra dispone de un interruptor de encendido/apagado de fácil acceso ubicado bajo el riel delantero.

GUÍA DE CORTE AL HILO - La guía de corte al hilo se ajusta completamente para cortes transversales y cortes con la guía de ingletes.

CAPUCHA CONTRA SALPICADURAS - El capucha contra salpicaduras ayuda a contener del overspray y la niebla.

HERRAMIENTAS NECESARIAS

Para armar la unidad se necesitan las siguientes herramientas (no incluido o dibujado para escalar):



DESTORNILLADOR PHILLIPS



LLAVE HEXAGONALE
DE 5/16 pulg.



LLAVE DE 10 mm

Fig. 4

PIEZAS SUELTAS

La mayoría de las piezas sueltas se tal como se muestra a continuación se almacenan en el tanque de llenado de agua:

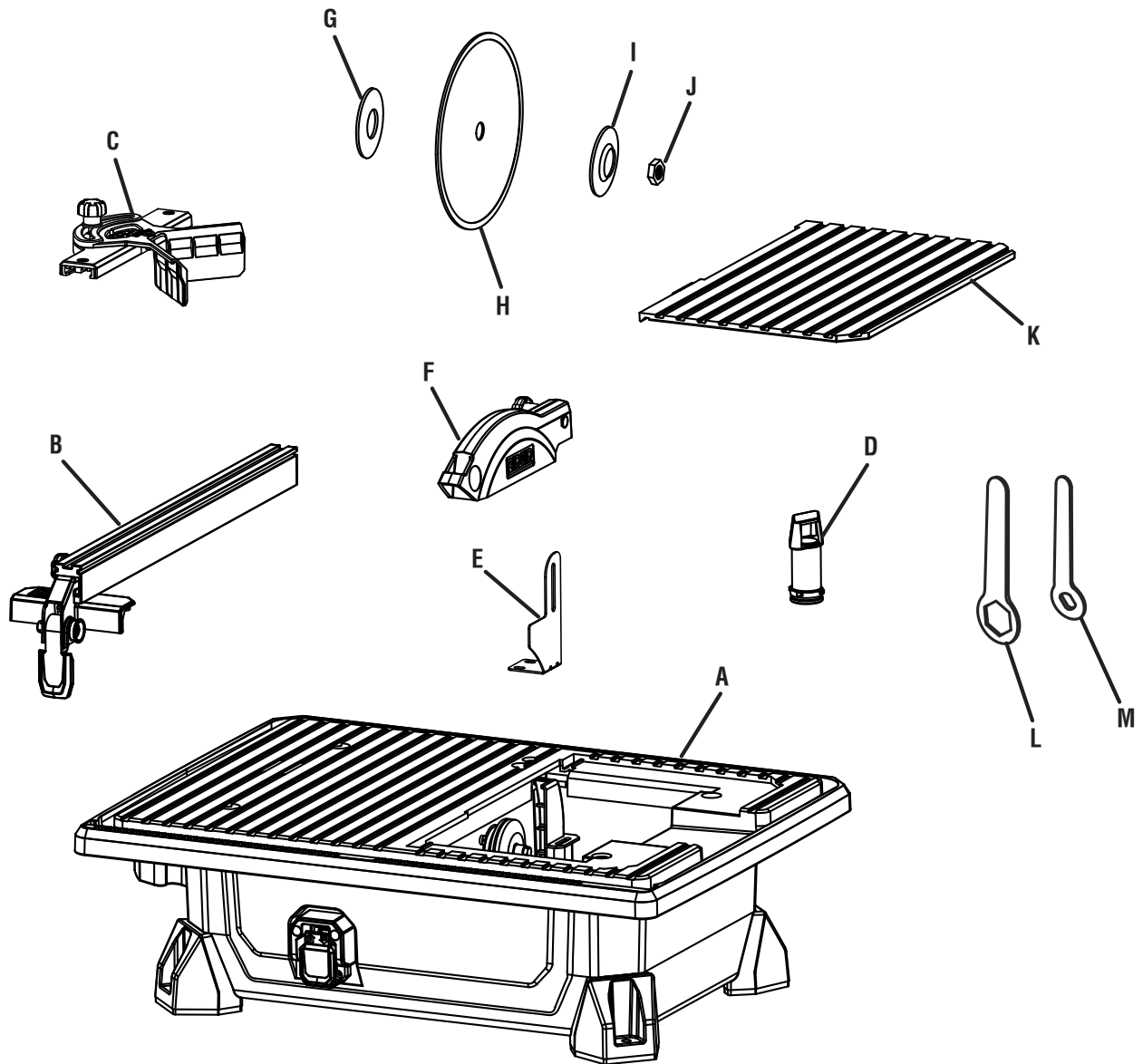


Fig. 5

A - Sierra de losas	1	H - Muela para cortar.....	1
B - Guía de borde al hilo.....	1	I - Arandela exterior.....	1
C - Guía de ingletes	1	J - Tuerca del árbol.....	1
D - Drenaje para derrames.....	1	K - Mesa para biselar.....	1
E - Soporte de la capucha contra salpicaduras.....	1	L - Llave de la muela	1
F - Conjunto del capucha contra salpicaduras	1	M - Llave del árbol	1
G - Arandela interior.....	1		

ARMADO

DESEMPAQUETADO

Vea la figura 5.

Este producto requiere armarse.

- Extraiga cuidadosamente de la sierra y colóquela sobre una superficie de trabajo nivelada.

⚠ **ADVERTENCIA:**

No utilice este producto si alguna pieza incluida en la lista de piezas sueltas (o lista de contenido) ya está ensamblada al producto cuando lo desempaqueta. El fabricante no ensambla las piezas de esta lista en el producto. Éstas deben ser instaladas por el usuario. El uso de un producto que puede haber sido ensamblado de forma inadecuada podría causar lesiones personales graves.

- Inspeccione cuidadosamente la herramienta para verificar que no haya sufrido ninguna rotura o daño durante el transporte.
- No deseche el material de empaquetado antes de terminar de inspeccionar y utilizar satisfactoriamente la herramienta.

NOTA: La mayoría de las piezas sueltas se tal como se muestra a continuación se almacenan en el tanque de llenado de agua.

- La sierra viene ajustada desde la fábrica para realizar cortes exactos. Después de armarla verifique la exactitud de la misma. Si en el envío resultaron afectados los ajustes, consulte los procedimientos específicos explicados en este manual.
- Si hay piezas dañadas o faltantes, sírvase llamar al 1-866-539-1710, donde le brindaremos asistencia.

⚠ **ADVERTENCIA:**

Si hay piezas dañadas o faltantes, no utilice esta herramienta sin haber reemplazado todas las piezas. Usar este producto con partes dañadas o faltantes puede causar lesiones serias al operador.

⚠ **ADVERTENCIA:**

No intente modificar esta herramienta ni hacer accesorios no recomendados para ella. Cualquier alteración o modificación constituye un uso indebido, y puede crear una situación peligrosa que culmine en lesiones corporales graves.

⚠ **ADVERTENCIA:**

No conecte la unidad a la toma de corriente antes de terminar de armarla. De lo contrario, la unidad puede ponerse en marcha accidentalmente, con el consiguiente riesgo de lesiones graves.

AGUJEROS DE MONTAJE

La sierra de mesa debe montarse en una superficie de soporte firme, como un banco de trabajo. Hay cuatro agujeros para perno en la base de la sierra para este fin. Cada uno de los cuatro agujeros de montaje debe estar atornillado firmemente con pernos de máquina de 9,5 mm (3/8 pulg.), arandelas de seguridad y tuercas hexagonales (no vienen incluidos). Los

pernos deben ser de la suficiente longitud para dar acomodo a la base de la sierra, las arandelas de seguridad, las tuercas hexagonales y el espesor del banco de trabajo. Apriete firmemente los cuatro pernos.

Después del montaje revise cuidadosamente el banco de trabajo para asegurarse de que no haya ocurrido ningún desplazamiento. Si el banco de trabajo se inclina, desliza o camina, asegúrelo al piso antes de utilizar la unidad.

MUELA PARA CORTAR LOSAS

Para un mayor rendimiento y seguridad, se recomienda que use solamente 7 pulg. muela para cortar es suministrada con la sierra. Se dispone de estilos adicionales de muelas de la misma alta calidad para su distribuidor local.

⚠ **ADVERTENCIA:**

Asegúrese de usar únicamente muelas con velocidad en vacío nominal mínima inferior a la de esta herramienta. La inobservancia de esta advertencia podría causar posibles lesiones serias. Nunca utilice muelas que tengan orificios, muescas, o dientes con esta herramienta.

INSTALACIÓN DE MUELA DE CORTAR DE LOSAS

Vea la figura 6.

⚠ **ADVERTENCIA:**

La sierra tiene capacidad para muelas hasta de un diámetro de 7 pulg. Nunca utilice una muela tan gruesa que la guía láser no se enganche en las partes planas del husillo. Las muelas más grandes tocan las protecciones de la muela, y las más gruesas impiden asegurarlas con el perno correspondiente en el husillo. Cualquiera de estas dos situaciones puede producir un accidente serio, con las consiguientes lesiones corporales serias.

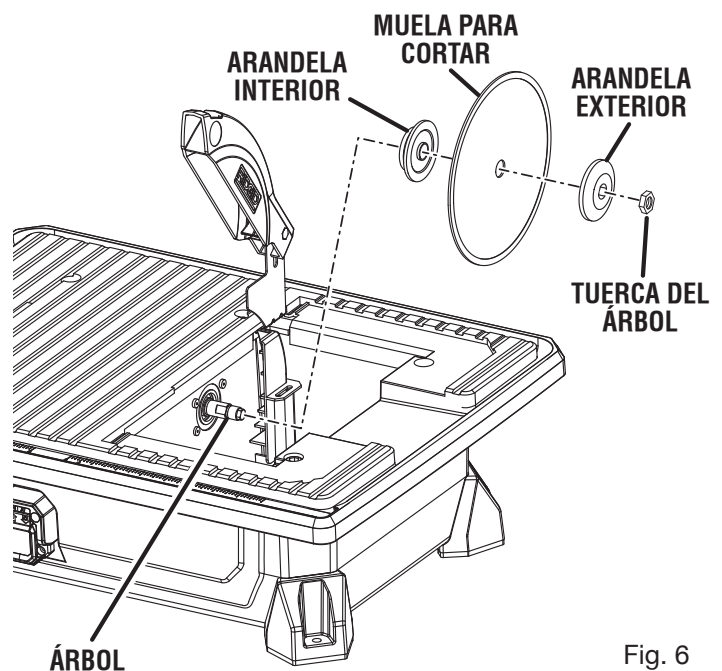


Fig. 6

ARMADO

- Desconecte la sierra y retire la mesa para biselar.
- Coloque la llave de la muela sobre la tuerca del árbol entonces deslice la llave del árbol sobre el árbol.
- Sostenga firmemente la llave del árbol para evitar que el muela se mueva, tire de la llave (lado izquierdo) hacia la parte delantera de la máquina para aflojarla.
- Retire la tuerca del árbol y la arandela exterior dejando la arandela interior en el árbol.

ADVERTENCIA:

Siempre instale de la arandela interior de la muela antes de colocar la muela sobre la arbre. Si no lo hace podría producirse un accidente ya que la muela no se apretaría correctamente.

- Coloque el muela para cortar sobre el árbol con las flechas del muela para cortar mirando hacia la izquierda.
- Reemplace el arandela exterior. Las dos partes planas en forma de "D" de las arandelas del muela se alinean con las partes planas del husillo.
- Reemplace el tuerca del árbol sobre la arbre. Con la llave del muela y la llave del árbol, apriete la tuerca del árbol firmemente.

INSTALACIÓN DE LA CAPUCHA CONTRA SALPICADURAS

Vea las figuras 7 y 8.

- Retire la mesa para biselar.
- Afloje y retire los tornillos.
- Instale la capucha contra salpicaduras en forma de L en el reborde ubicado debajo de la mesa detrás del muela para cortar.
- Reinstale los tornillos en la mesa y a través del soporte de la capucha contra salpicaduras. Apriete la firmemente.

NOTA: Alineado el soporte de la capucha con el muela para cortar de manera que no interfiera con el material que se está cortando.

- Deslice la capucha contra salpicaduras sobre el soporte y alinee los orificios pasantes de la capucha contra salpicaduras con la ranura del soporte de la capucha contra salpicaduras.
- Inserte el perno de cabeza hexagonal a través de la capucha y el soporte. Enrosque la perilla del protector para salpicaduras sobre el perno y apriete hasta lograr la altura deseada.

NOTA: Siempre ajuste la capucha contra salpicaduras horizontalmente a la mesa y ligeramente por encima del espesor del azulejo. La capucha no debe tocar el azulejo.

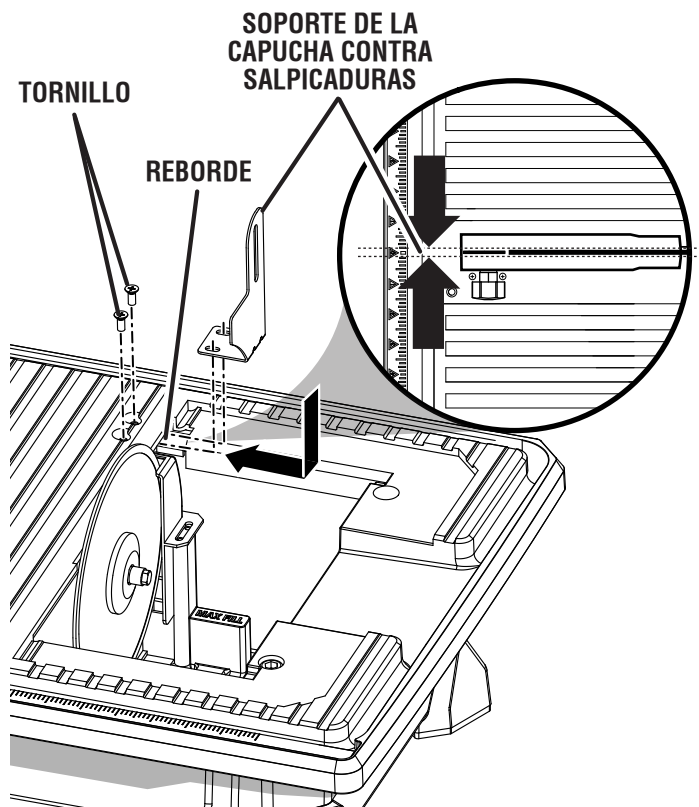


Fig. 7

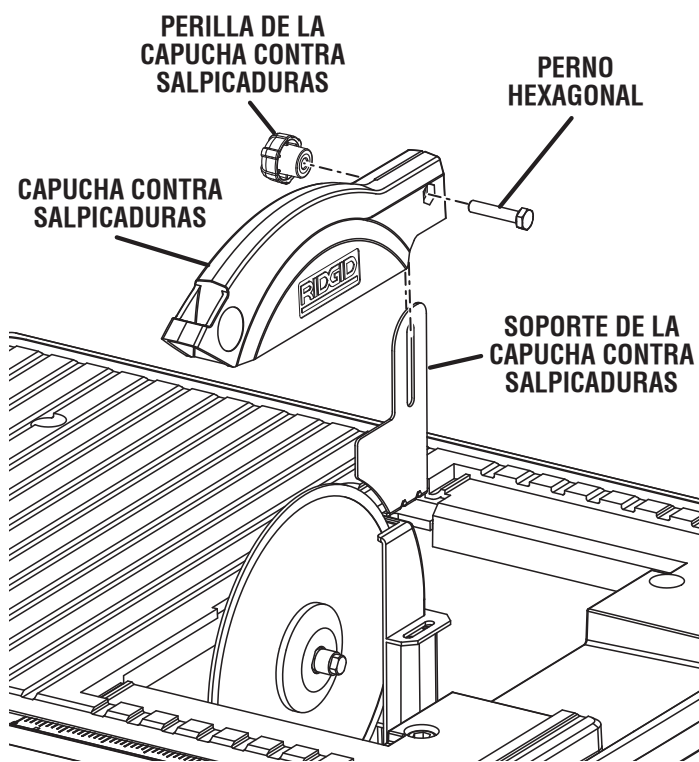


Fig. 8

ARMADO

INSTALACIÓN DE LA GUÍA DE CORTE AL HILO

Vea la figura 9.

- Coloque la parte frontal de la guía de corte al hilo en el riel delantero de mesa de la sierra.
- Baje el extremo trasero de la guía de corte al hilo hasta el riel trasero.
- Use la escala de la guía de corte al hilo, ubicada en las partes delantera de la mesa, para fijar la guía de corte al hilo a la ancho de corte deseada.
- Gire hacia la derecha la perilla de la escala de corte al hilo para apretar firmemente. Cuando está bloqueada firmemente, la palanca de fijación debe apuntar hacia abajo.

INSTALACIÓN DE LA GUÍA DE INGLETES

Vea la figura 9.

- Alinee las ranuras en la guía de inglete con las ranuras de la parte superior de la guía de borde al hilo.
- Empuje la guía de ingletes sobre la guía de borde al hilo a la posición de manejo deseada.

NOTA: Deslice la guía d'onglet de la guía de bord para eliminar.

INSTALACIÓN DEL DRENAJE PARA DERRAMES

Vea la figura 10.

- Empuje firmemente el drenaje para derrames dentro del orificio de la parte inferior del tanque de llenado de agua.

LLENADO/CAMBIAR DEL TANQUE DE AGUA

Vea la figura 11.

- Llene el tanque de agua con agua de grifo limpia hasta la línea de llenado.

NOTA: El drenaje para derrames evita el llenado excesivo.

Para cambiar el agua del tanque:

- Desconecte la sierra.
- Retire el drenaje para derrames y vacíelo en un balde, no deje que el agua salpique sobre el suelo ni alrededor de la máquina.
- Enjuague de la máquina a cuidadosamente.
- Deseche agua de desecho de acuerdo con regulaciones locales.
- Vuelva a llenarlo con agua limpia.

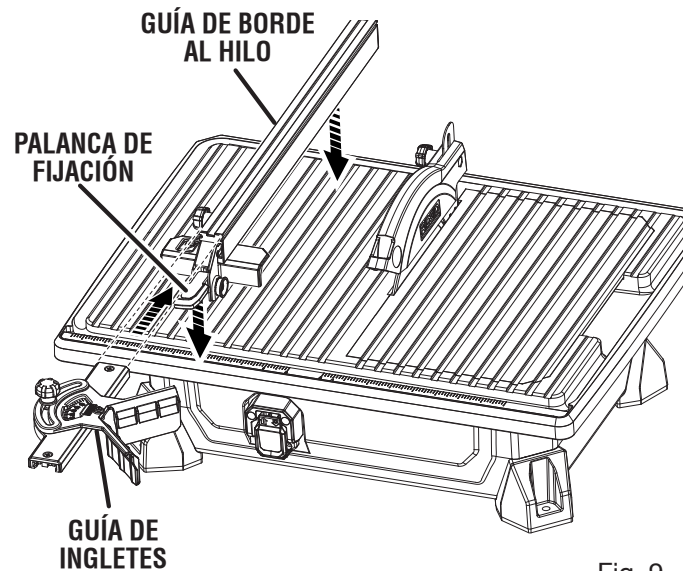


Fig. 9

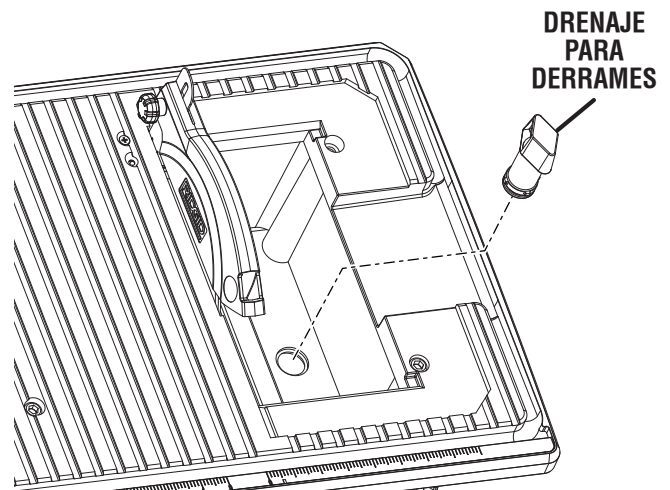


Fig. 10

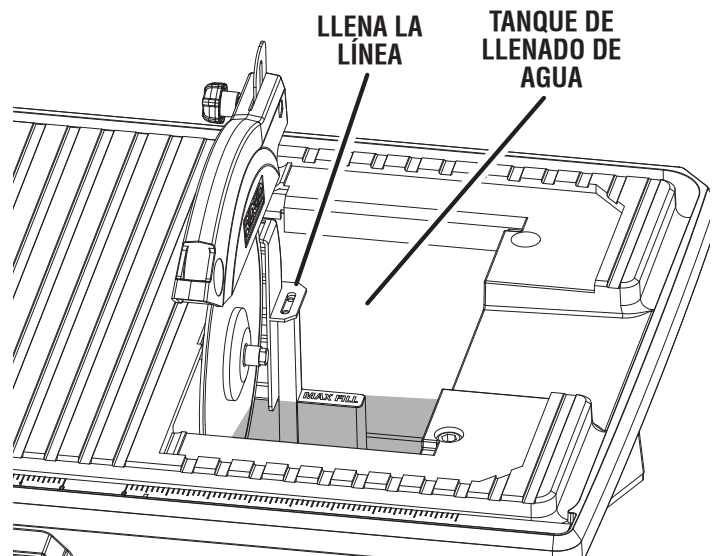


Fig. 11

FUNCIONAMIENTO

⚠️ ADVERTENCIA:

No permita que su familiarización con las herramientas lo vuelva descuidado. Tenga presente que un descuido de un instante es suficiente para causar una lesión seria.

⚠️ ADVERTENCIA:

Siempre póngase protección ocular con la marca de cumplimiento de la norma ANSI Z87.1. Si no cumple esta advertencia, los objetos que salen despedidos pueden producirle lesiones serias en los ojos.

⚠️ ADVERTENCIA:

No utilice ningún aditamento o accesorio no recomendado por el fabricante de esta herramienta. El empleo de aditamentos o accesorios no recomendados podría causar lesiones serias.

APLICACIONES

Esta herramienta puede emplearse para los fines enumerados abajo:

- La línea recta las operaciones cortantes como cortes transversales, corte de inglete, corte longitudinal, y cortar en bisel

NOTA: Esta sierra es diseñado para cortar losas artificial, empedrador, y productos de losas de piedra sólo.

INTERRUPTOR DE ENCENDIDO/APAGADO

Vea la figura 12.

Esta sierra está equipada con un conjunto del interruptor de corriente dotado de cerradura de llave integrada. Esta característica tiene la finalidad de evitar el uso no autorizado y posiblemente peligroso por niños y otras personas.

Para encender la sierra:

- Levante de mismo a la posición de **ENCENDIDO**.

Para apagar la sierra:

- Para apagarla, baje de interruptor a la posición de **APAGADO**.

Para asegurar la sierra:

- Con la sierra apagó, coloque un candado (no viene incluido) a través del agujero del interruptor.

⚠️ ADVERTENCIA:

Cuando no esté en uso la herramienta, siempre retire la llave del interruptor y guárdela en un lugar seguro. En caso de un apagón, ponga el interruptor en la posición de **APAGADO**. De esta manera se evita un arranque por accidente de la herramienta al restablecerse la corriente.

⚠️ ADVERTENCIA:

SIEMPRE asegúrese de que la pieza de trabajo no toque la muela, antes de accionar el interruptor para encender la herramienta. La falta de atención a esta advertencia puede causar el lanzamiento violento de la pieza de trabajo hacia el operador, con posibilidad de lesiones graves.

⚠️ ADVERTENCIA:

Para reducir el riesgo de un arranque accidental, SIEMPRE asegúrese de que el interruptor esté en la posición de **APAGADO** antes de conectar la herramienta en la toma de corriente.

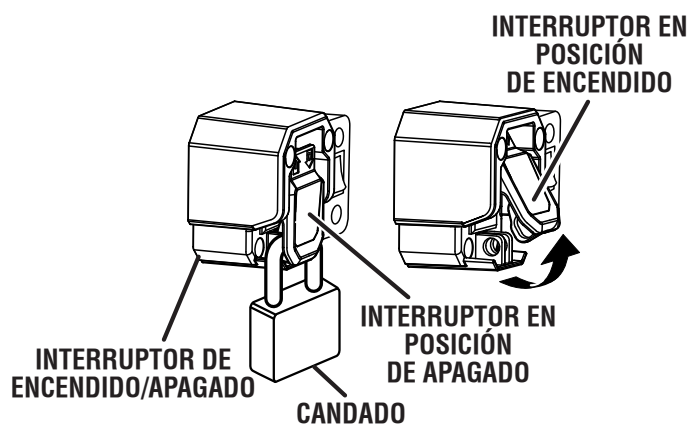


Fig. 12

FUNCIONAMIENTO

USANDO LA GUÍA DE CORTE AL HILO

Vea la figura 13.

La guía de corte al hilo puede usarse tanto del lado izquierdo como del derecho del muela de cortar. La lado plano de la guía de borde al hilo siempre debe estar orientada hacia la muela para cortar. El conjunto de la palanca de fijación se puede recolocar a ambos lados de la guía de borde al hilo.

- Coloque la guía de corte al hilo en la posición deseada con la escala de guía de corte al hilo ubicada en la parte delantera de la mesa.
- Gire hacia la derecha la perilla de la escala de corte al hilo para apretar firmemente. Cuando está bloqueada firmemente, la palanca de fijación debe apuntar hacia abajo.

Para trasladar la conjunto de palanca de fijación:

- Desasegure la guía de borde al hilo y retire la guía de mesa de la sierra.
- Retire la guía de ingletes de la guía de borde al hilo.
- Afloje el perilla de conjunto de palanca hasta que el conjunto de palanca de fijación se puede quitar.
- Gire a la guía de borde al hilo alrededor hasta el lado plano de la guía de de borde al hilo se enfrenta a la muela para cortar.
- Coloque el tornillo en la ranura de la parte superior de la conjunto de palanca de fijación.

NOTA: La arandela plana debe estar contra la parte inferior del perilla de conjunto de palanca.

- Apriete el perilla de conjunto de palanca de firmemente.

USANDO LA GUÍA DE INGLETES

Vea la figura 14.

Ajuste ángulos:

- Deslice desde el frente la guía de ingletes sobre la guía de corte al hilo.
- Vuelva a apretar la perilla y ajuste la guía de corte al hilo hasta la posición deseada.
- Apriétela firmemente con la perilla de fijación.

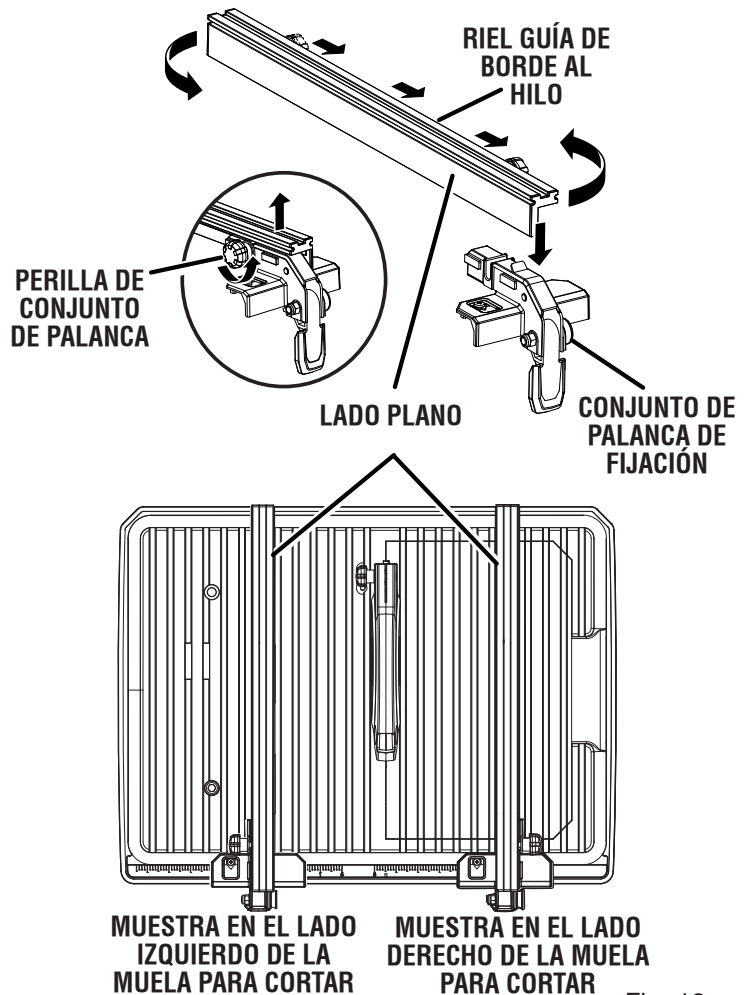


Fig. 13

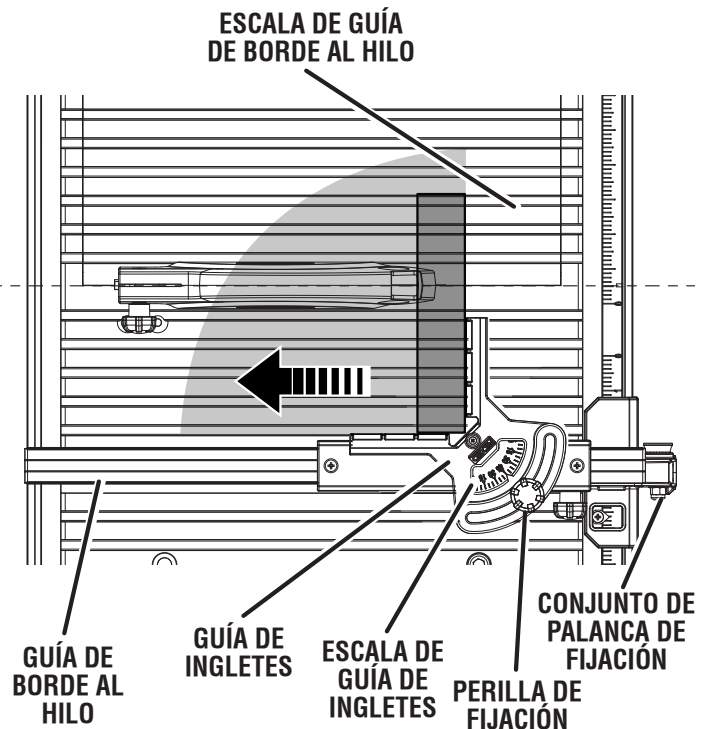


Fig. 14

FUNCIONAMIENTO

COUPES

Siempre dibuje la línea para ser cortada en el mosaico que utiliza un lápiz de marcador o grasa. Si la losa es brillante y duro a la marca, cinta adhesiva protectora de lugar en la losa y marca la cinta.

Un problema común al cortar losa se desvía de la línea marcada. Una vez que usted se ha desviado de la marca, usted no puede forzar la espalda de la rueda a la línea torciendo el losa. En vez de eso, atrás arriba y recut el mosaico que corta una pequeña cantidad de losa hasta que la rueda regrese en el vestigio.

Para evitar este problema, use la guía de corte al hilo al efectuar cortes transversales, la guía de ingletes para cortes a inglete y la mesa para bisel para efectuar cortes a bisel, siempre que sea posible.

Otro problema es el corte de materiales difíciles. Para evitar que se astille del material al final del corte: 1-1/2 pulg. primer corte del material y luego apague la sierra; voltear el material alrededor de 180 ° y haga el corte.

Limpie la mesa de la sierra, las guías de borde al hilo y ingletes, y el mesa de bisel con frecuencia durante su uso. Los escombros del material cortado puede interferencia con la función de la herramienta.

PARA EFECTUAR CORTES TRANSVERSALES

Vea la figura 15.

Los cortes transversal son directamente 90° los cortes. La materia es alimentada en el corte en un 90° el ángulo a la rueda.

- Utilizar un lápiz de marcador o grasa, marca el área para ser cortada en la material.
- Retire la guía de ingletes.
- Coloque la guía de borde al hilo a la distancia deseada de la muela para el corte y fije firmemente la palanca.
- Coloque la materia sobre la mesa y firmemente contra la guía de borde al hilo.
- Asegúrese de que la material está lejos de la muela para cortar losas antes de encender la sierra.
- Coloque el interruptor de encendido/apagado en la posición de **ENCENDIDO**.
- Deje que la muela para cortar adquiera velocidad y espera para la muela para mojar antes de mover la mesa de inglete para alimentar la pieza de trabajo a la muela.
- Sostenga firmemente la material contra la guía de borde al hilo y guía, y aváncela hacia la muela para cortar.
- Cuando termine el corte, apague la sierra; para ello, ponga el botón en la posición **OFF**. Espere a que la muela se detenga por completo antes de retirar cualquier parte de la material.

CORTES TRANSVERSALES

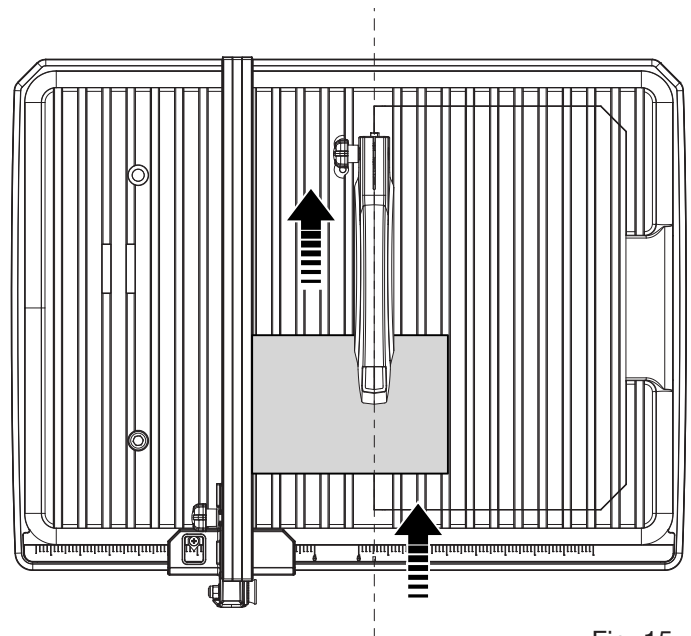


Fig. 15

FUNCIONAMIENTO

PARA EFECTUAR CORTES DIAGONALE DE 45°

Vea la figura 16.

Los cortes diagonales de 45° también son llamados “cortes de punta a punta”.

- Utilizar un lápiz de marcador o grasa, marca el área para ser cortada en la material.
- Instalar la guía de ingletes.
- Ajuste la guía de ingletes a 45° con la escala de ángulos y apriétela firmemente con la perilla.
- Coloque la guía de borde al hilo a la distancia deseada de la muela para el corte y fije firmemente la palanca.
- Coloque la materia sobre la mesa y firmemente contra la guía de borde al hilo.
- Asegúrese de que la material está lejos de la muela para cortar losas antes de encender la sierra.
- Coloque el interruptor de encendido/apagado en la posición de **ENCENDIDO**.
- Deje que la muela para cortar adquiera velocidad y espera para la rueda para mojar antes de mover la mesa de inglete para alimentar la pieza de trabajo a la muela.
- Sostenga firmemente la material contra la guía de borde al hilo y guía, y aváncela hacia la muela para cortar.
- Cuando termine el corte, apague la sierra; para ello, ponga el botón en la posición **OFF**. Espere a que la muela se detenga por completo antes de retirar cualquier parte de la material.

PARA EFECTUAR CORTES A INGLETE

Vea la figura 17.

Los cortes a inglete se usan para cortar esquinas internans y externans de cerámica, molduras decorativas de riel y de base con la materia en cualquier ángulo a la rueda de otra manera que 90°. Los cortes a inglete tienden a “arrastrar” durante cortar. Esto puede ser controlado por tener la pieza de trabajo firmemente contra la guía de ingletes.

- Utilizar un lápiz de marcador o grasa, marca el área para ser cortada en la material.
- Instalar la guía de ingletes.
- Coloque la guía de ingletes al ángulo deseado con una escala de ángulos y apriétela firmemente con la perilla.
- Coloque la guía de borde al hilo a la distancia deseada de la muela para el corte y fije firmemente la palanca.
- Coloque la materia sobre la mesa y firmemente contra la guía de borde al hilo.
- Asegúrese de que la material está lejos de la muela para cortar losas antes de encender la sierra.
- Coloque el interruptor de encendido/apagado en la posición de **ENCENDIDO**.
- Deje que la muela para cortar adquiera velocidad y espera para la rueda para mojar antes de mover la mesa de inglete para alimentar la pieza de trabajo a la muela.

CORTE DIAGONALE

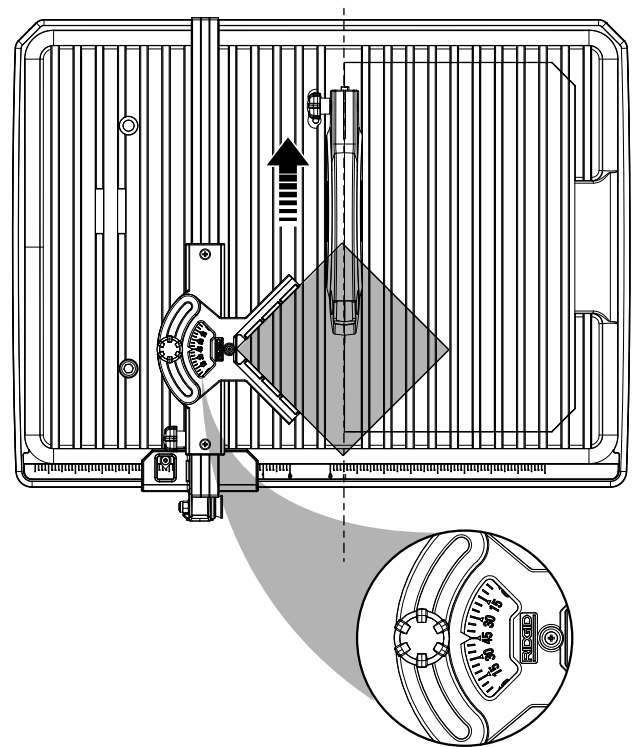


Fig. 16

CORTE A INGLETE

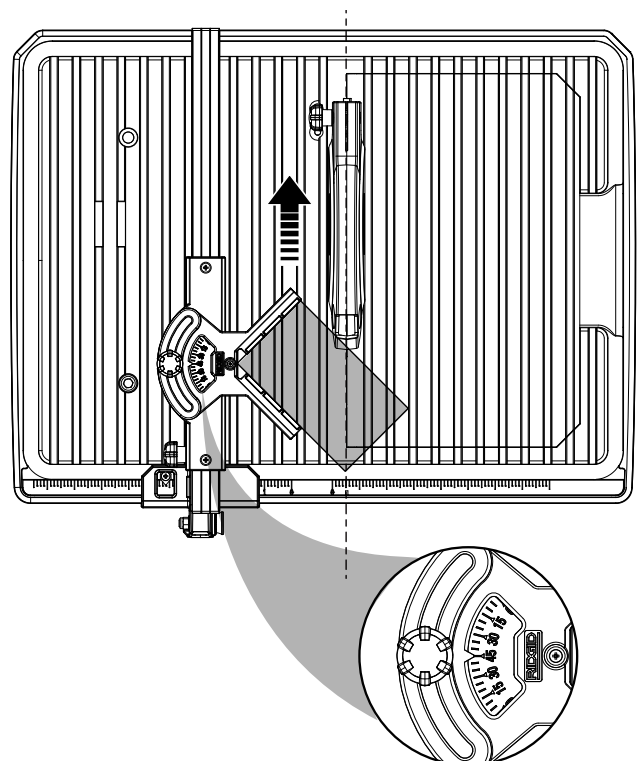


Fig. 17

FUNCIONAMIENTO

- Tenga la materia firmemente contra la guía de mitra y guía de mitra de resbaladero por valla de rasgón. Alimente la materia en la muela.
- Cuando termine el corte, apague la sierra; para ello, ponga el botón en la posición **OFF**. Espere a que la muela se detenga por completo antes de retirar cualquier parte de la material.

PARA EFECTUAR CORTES EN L

Veá la figura 18.

Una corte en L es una sección que se saca de la material y se una al cortar la material que entrará en un rincón de un mueble o pieza de moldura y son hechos por dos cortes separados.

NOTA: Sólo overcut en el fondo o debajo del lado de la material para ser cortado.

- Utilizar un lápiz de marcador o grasa, marca el área para ser cortada en la material.
- Retire la guía de ingletes.
- Coloque la guía de borde al hilo a la distancia deseada de la muela para el corte y fije firmemente la palanca.
- Coloque el material sobre la mesa y firmemente contra la guía de corte al hilo.
- Asegúrese de que la material está lejos de la muela para cortar losas antes de encender la sierra.
- Coloque el interruptor de encendido/apagado en la posición de **ENCENDIDO**.
- Deje que la muela para cortar adquiera velocidad y espera para la rueda para mojar antes de mover la mesa de inglete para alimentar la pieza de trabajo a la muela.
- Sostenga firmemente la material contra la guía de borde al hilo y guía, y aváncela hacia la muela para cortar.
- Haga el corte suficiente distante en la material sin haga lo mismo.
- Cuando termine el corte, apague la sierra; para ello, ponga el botón en la posición **OFF**. Espere a que la muela se detenga por completo antes de retirar cualquier parte de la material.
- Gire la material, ajuste la guía de borde al hilo, y haga el segundo corte por uno de las marcas. Este haga lo mismo del tiempo que la otra línea y el piezo del corte deben separar del resto de la material.
- Cuando termine el segundo corte, apague la sierra; para ello, ponga el botón en la posición **OFF**. Espere a que la muela se detenga por completo antes de retirar cualquier parte de la material.

CORTE A INGLETE

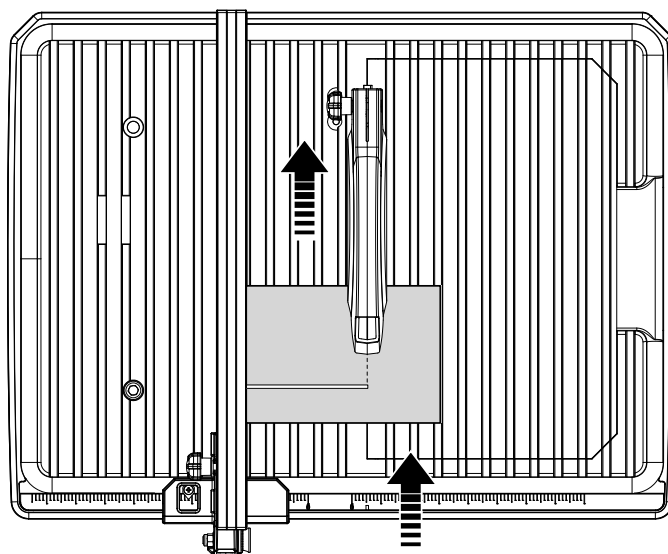


Fig. 18

FUNCIONAMIENTO

PARA EFECTUAR CORTES EN BISEL

Veá las figuras 19 y 20.

Se pueden efectuar cortes a bisel de 22,5° y 45° con la mesa para biselar.

- Utilizar un lápiz de marcador o grasa, marca el área para ser cortada en la material.
- Retire la guía de borde al hilo.
- Incline hacia arriba la mesa para biselar.
- En la parte inferior de la mesa para biselar, tire hacia abajo las patas de la mesa introduciéndolas en los ángulos rectos de la placa.
 - Use las primeras muescas de las patas para apoyar la placa en un ángulo de 22,5°.
 - Use el segundo juego de muescas para inclinar la mesa para biselar al ángulo máximo de 45°.

NOTA: Asegúrese mesa de bisel es cerrada firmemente en lugar antes de empezar corte.

- Coloque el interruptor de encendido/apagado en la posición de **ENCENDIDO**.
- Deje que la muela para cortar adquiera velocidad y espere para la rueda para mojar antes de mover la mesa de inglete para alimentar la pieza de trabajo a la muela.
- Sostenga firmemente la material contra la mesa para biselar y aváncela hacia la muela para cortar.
- Cuando termine el corte, apague la sierra; para ello, ponga el botón en la posición **OFF**. Espere a que la muela se detenga por completo antes de retirar cualquier parte de la material.

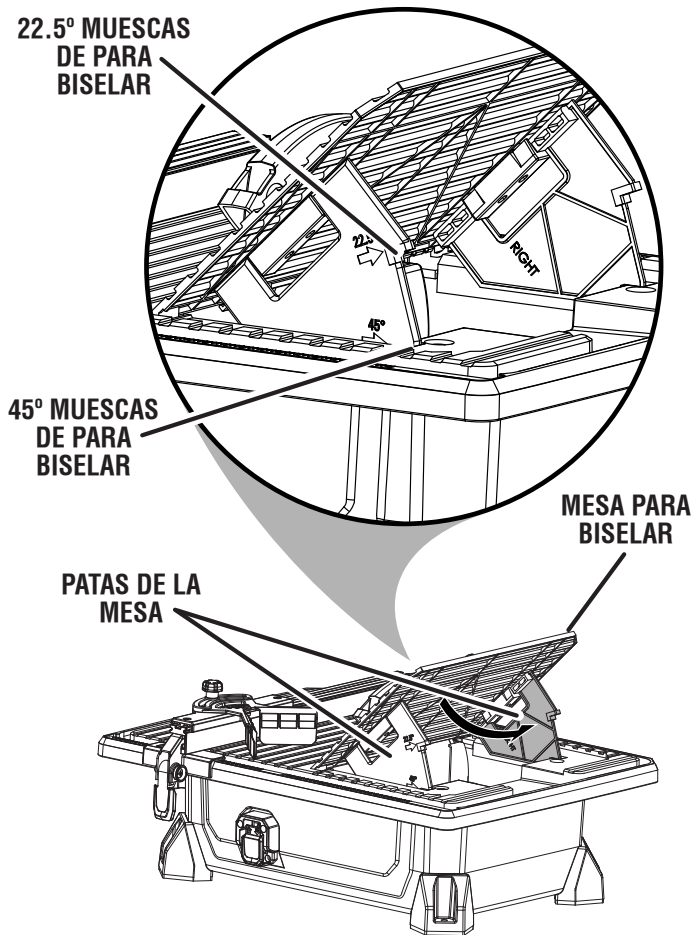


Fig. 19

CORTE EN BISEL

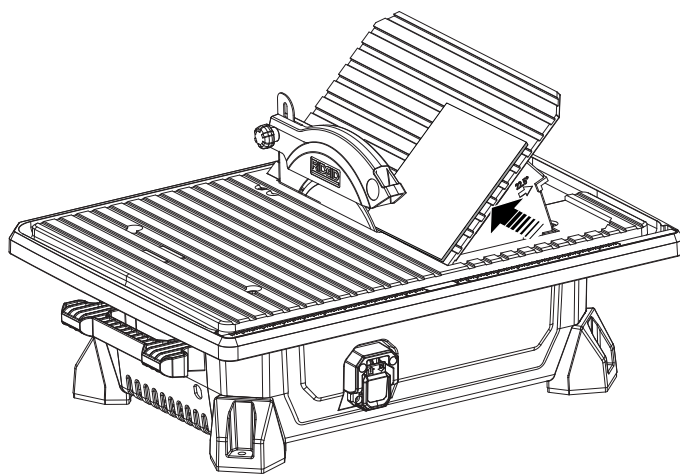


Fig. 20

AJUSTES

⚠ ADVERTENCIA:

Antes de efectuar cualquier ajuste, asegúrese de que la herramienta esté desconectada del suministro de corriente y de que el interruptor esté en la posición de apagado (OFF). La falta de atención a esta advertencia podría causar lesiones corporales graves.

La sierra ha sido ajustada en la fábrica para producir cortes muy exactos. No obstante, algunos de los componentes podrían haberse desalineado durante el transporte. También, al paso del tiempo, probablemente será necesario un reajuste debido al desgaste.

No inicie ningún ajuste sin haber revisado con una escuadra y haber efectuado cortes de prueba para asegurarse de que son necesarios los ajustes.

PARA ESCUADRA LA MUELA PARA CORTAR CON LA RANURA DE LA MESA

Vea la figura 21.

No afloje ningún pernos para este ajuste hasta que haya revisado con una escuadra y haya efectuado cortes de prueba para asegurarse de que son necesarios los ajustes.

- Desconecte la sierra.
- Retire la mesa para biselar.
- Levante y quite las tapas que cúbrase los tornillos hexagonales de cuatro.
- Utilizar llave hexagonal, afloja el perno hexagonal en el mesa de la sierra.
- Coloque una escuadra de carpintero contra la guía de borde al hilo y parte plana de la muela.
- Mueva la mesa de la sierra hasta que la sea cuadrada con la muela corte.
- Apriete firmemente los pernos hexagonal y reemplace la tapas.

PARA AJUSTE DE LA LEVA EN CONJUNTO DE PALANCA DE FIJACIÓN

Vea la figura 22.

Con el tiempo, la guía de borde al hilo puede que se suelten. Si la guía de borde al hilo no se cierra de forma segura a la mesa de la sierra, será preciso adaptar.

- Desconecte la sierra.
- Retire el conjunto de la palanca de fijación de la guía de borde al hilo.
- Con una llave y un destornillador, afloje y retire el tornillo y la tuerca que sujeta la leva para el conjunto de palanca.
- Tire de la leva un poco y girar la leva de un diente y luego alinear los dientes en la cámara con las ranuras en el lado de la palanca de fijación.
- Réinstalar de el tornillo y la tuerca. Apriételo firmemente.

NOTA: Si la guía de borde al hilo todavía está aflojar, repita los pasos anteriores de ser necesario.

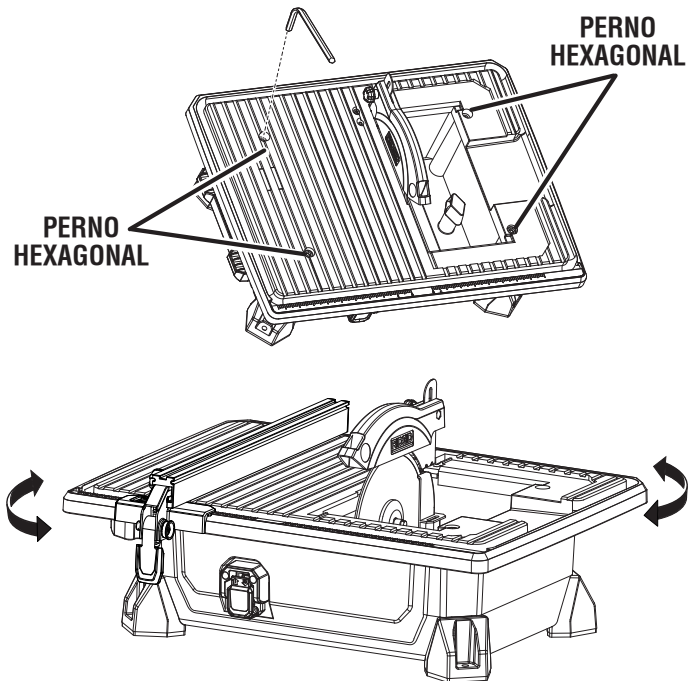


Fig. 21

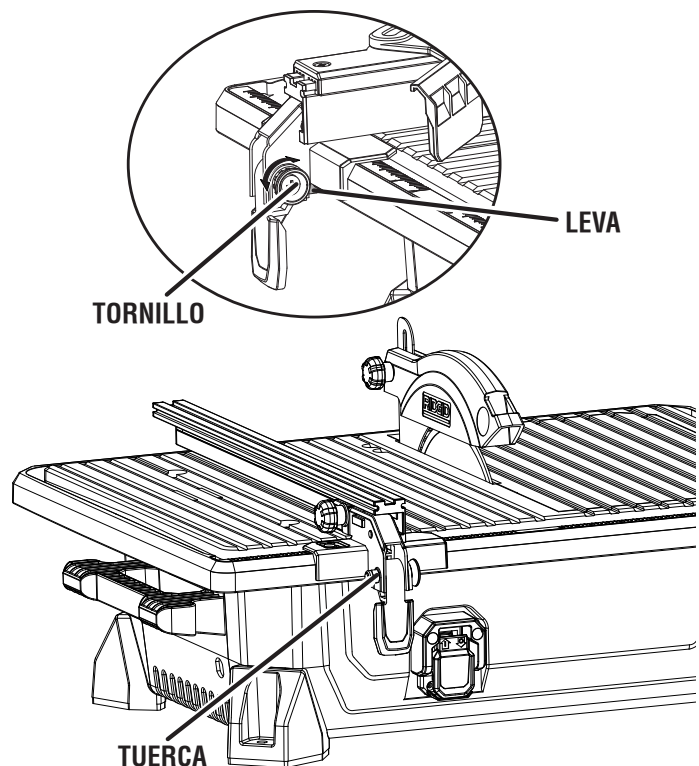


Fig. 22

MANTENIMIENTO

ADVERTENCIA:

Al dar servicio a la unidad, sólo utilice piezas de repuesto RIDGID idénticas. El empleo de piezas diferentes puede causar un peligro o dañar el producto.

ADVERTENCIA:

Cuando utilice este producto, siempre póngase protección ocular con la marca de cumplimiento de la norma ANSI Z87.1. Si la operación genera mucho polvo, también póngase una mascarilla contra el polvo.

MANTENIMIENTO GENERAL

Evite el empleo de solventes al limpiar piezas de plástico. La mayoría de los plásticos son susceptibles a diferentes tipos de solventes comerciales y pueden resultar dañados. Utilice paños limpios para eliminar la suciedad, el polvo, el aceite, la grasa, etc.

ADVERTENCIA:

No permita en ningún momento que fluidos para frenos, gasolina, productos a base de petróleo, aceites penetrantes, etc., lleguen a tocar las piezas de plástico. Las sustancias químicas pueden dañar, debilitar o destruir el plástico, lo cual a su vez puede producir lesiones corporales serias.

LUBRICACIÓN

Todos los cojinetes de esta herramienta están lubricados con suficiente cantidad de aceite de alta calidad para toda la vida útil de la unidad en condiciones normales de funcionamiento.

LIMPIEZA EL GUÍA DE BORDE AL HILO Y GUÍA DE INGLETES

Al usarse, el guía de borde al hilo y guía de ingletes llegará a ser prevenir sucia las guías de deslizar lisamente. Es importante limpiar la sierra a menudo.

LIMPIEZA EL SIERRA

- Desconecte la sierra.
- Retire las guías y el mesa para bisel de la sierra.
- Utilizando un pequeño escobilla y / o agua, limpiar a fondo cada pieza eliminando cualquier suciedad atrapada
- Retire el drenaje para derrames y vacíelo en un balde, no deje que el agua salpique sobre el suelo ni alrededor de la máquina.
- Enjuague de la máquina a cuidadosamente.
- Deseche agua de desecho de acuerdo con regulaciones locales.
- Vuelva a colocar el tapón de drenaje. Apriételo firmemente.
- Seque la herramienta.

GARANTÍA

HERRAMIENTAS ELÉCTRICAS DE MANO Y ESTACIONARIAS RIDGID® GARANTÍA DE SERVICIO LIMITADA DE TRES AÑOS

Debe presentarse prueba de la compra al solicitar servicio al amparo de la garantía.

Se limita a las herramientas de mano y estacionarias RIDGID® adquiridas a partir del 1 de febrero de 2004. Este producto está manufacturado por One World Technologies, Inc. La licencia de uso de la marca comercial es otorgada por RIDGID®, Inc. Toda comunicación en relación con la garantía debe dirigirse a One World Technologies, Inc., a la atención de: Servicio Técnico de Herramientas Eléctricas de Mano y Estacionarias RIDGID®, por el (línea gratuita) 1-866-539-1710.

POLÍTICA DE GARANTÍA DE SATISFACCIÓN DE 90 DÍAS

Durante los primeros 90 días a partir de la fecha de compra, si no está satisfecho con el desempeño de esta herramienta de mano o estacionaria RIDGID® por cualquier razón, puede devolverla al establecimiento donde la adquirió, donde se le proporcionará un reembolso total o un intercambio. Para recibir una herramienta de reemplazo, debe presentar documentación de prueba de la compra, y devolver el equipo original empaquetado con el producto original. La herramienta de reemplazo queda cubierta por la garantía limitada por el resto del período de garantía de servicio de 3 AÑOS.

LO QUE ESTÁ CUBIERTO EN LA GARANTÍA DE SERVICIO LIMITADA DE TRES AÑOS GARANTÍA DE SERVICIO LIMITADA

Esta garantía de las herramientas de mano y estacionarias RIDGID® cubre todos los defectos en materiales y mano de obra, así como piezas desgastables como escobillas, portabrocas, motores, interruptores, cordones eléctricos, engranajes e incluso las pilas inalámbricas de esta herramienta RIDGID® por tres años a partir de la fecha de compra de la herramienta. Las garantías de otros productos RIDGID® pueden ser diferentes.

FORMA DE OBTENER SERVICIO

Para obtener servicio para esta herramienta RIDGID®, debe devolverla, ya sea con el flete pagado por anticipado, o llevarla a un centro de servicio autorizado para herramientas eléctricas de mano y estacionarias de la marca RIDGID®. Puede obtener información sobre la ubicación del centro de servicio autorizado más cercano llamando al 1-866-539-1710 (línea gratuita) o dirigiéndose al sitio Web de RIDGID®, en www.ridgid.com. Al solicitar servicio al amparo de la garantía, debe presentar el recibo de venta fechado original. El centro de servicio autorizado reparará toda mano de obra deficiente del producto, y reparará o reemplazará cualquier pieza amparada por la garantía, a nuestra exclusiva discreción, sin ningún costo para el consumidor.

LO QUE NO ESTÁ CUBIERTO

Esta garantía se ofrece exclusivamente al comprador original de venta minorista y es intransferible. Esta garantía sólo cubre los defectos que surjan durante el uso normal de la herramienta y no cubre ningún malfuncionamiento, falla o defecto producido por el mal trato, abuso, negligencia, alteración, modificación o reparación efectuada por terceros diferentes de los centros de servicio autorizados de herramientas eléctricas de mano y estacionarias RIDGID®. Los accesorios de consumo suministrados con la herramienta, p. ej., hojas, brocas, papel de lija, etc., no están cubiertos.

RIDGID®, INC. Y ONE WORLD TECHNOLOGIES, INC. NO OFRECEN NINGUNA GARANTÍA, DECLARACIÓN O PROMESA EN RELACIÓN CON LA CALIDAD O EL DESEMPEÑO DE SUS HERRAMIENTAS ELÉCTRICAS MÁS QUE LAS SEÑALADAS ESPECÍFICAMENTE EN ESTA GARANTÍA.

LIMITACIONES ADICIONALES

Hasta donde lo permiten las leyes pertinentes, se desconoce toda garantía implícita, incluidas las garantías de comerciabilidad o idoneidad para un uso en particular. Toda garantía implícita, incluidas las garantías de comerciabilidad o idoneidad para un uso en particular, que no pueda desconocerse según las leyes estatales, está limitada a tres años a partir de la fecha de compra. One World Technologies, Inc. y RIDGID®, Inc. no son responsables de daños directos, indirectos, incidentales o consecuentes. Algunos estados no permiten limitaciones en cuanto al período de vigencia de una garantía implícita o no permiten exclusiones o limitaciones de daños incidentales o consecuentes, por lo tanto es posible que esta limitación no se aplique en su caso. Esta garantía le confiere derechos legales específicos, y es posible que usted goce de otros derechos, los cuales pueden variar de un estado a otro.

One World Technologies, Inc.

P.O. Box 35, Hwy. 8

Pickens, SC 29671, USA

OPERATOR'S MANUAL

MANUEL D'UTILISATION

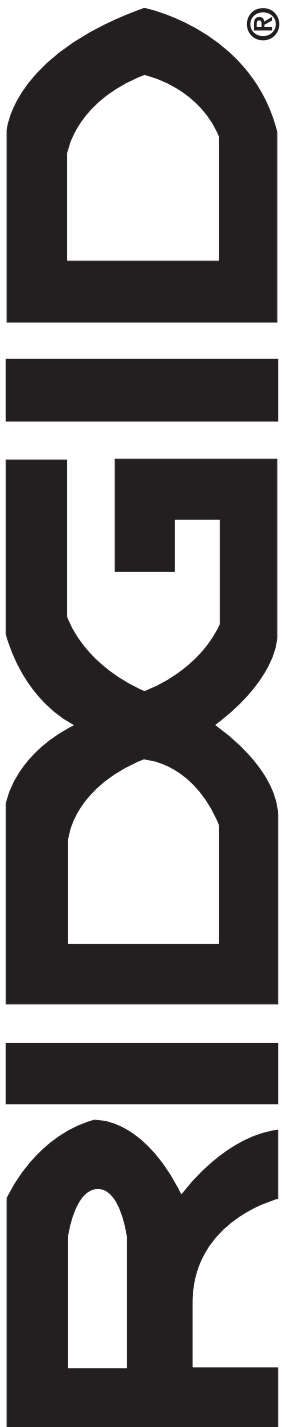
MANUAL DEL OPERADOR

7 in. TILE SAW

SCIE À CARREAUX DE 178 mm (7 po)

SIERRA DE LOSAS DE 178 mm (7 pulg.)

R4020



Customer Service Information:

For parts or service, contact your nearest RIDGID® authorized service center. Be sure to provide all relevant information when you call or visit. For the location of the authorized service center nearest you, please call 1-866-539-1710 or visit us online at www.ridgid.com.

The model number of this tool is found on a plate attached to the motor housing. Please record the serial number in the space provided below. When ordering repair parts, always give the following information:

Model No. _____ R4020 _____

Serial No. _____

Service après-vente :

Pour acheter des pièces ou pour un dépannage, contacter le centre de réparations RIDGID® agréé le plus proche. Veiller à fournir toutes les informations pertinentes lors de tout appel téléphonique ou visite. Pour obtenir l'adresse du centre de réparations agréé le plus proche, téléphoner au 1-866-539-1710 ou visiter notre site www.ridgid.com.

Le numéro de modèle se trouve sur une plaquette fixée au boîtier du moteur. Noter le numéro de série dans l'espace ci-dessous. Lors de toute commande de pièces détachées, fournir les informations suivantes :

No. de modèle _____ R4020 _____

No. de série _____

Información sobre servicio al consumidor:

Para piezas de repuesto o servicio, comuníquese con el centro de servicio autorizado de productos RIDGID® de su preferencia. Asegúrese de proporcionar todos los datos pertinentes al llamar o al presentarse personalmente. Para obtener información sobre el centro de servicio autorizado más cercano a usted, le suplicamos llamar al 1-866-539-1710 o visitar nuestro sitio en la red mundial, en la dirección www.ridgid.com.

El número de modelo de este producto se encuentra en una placa adherida al alojamiento del motor. Le suplicamos anotar el número de serie en el espacio suministrado abajo. Al pedir piezas de repuesto siempre proporcione la siguiente información:

Núm. de modelo _____ R4020 _____

Núm. de serie _____
