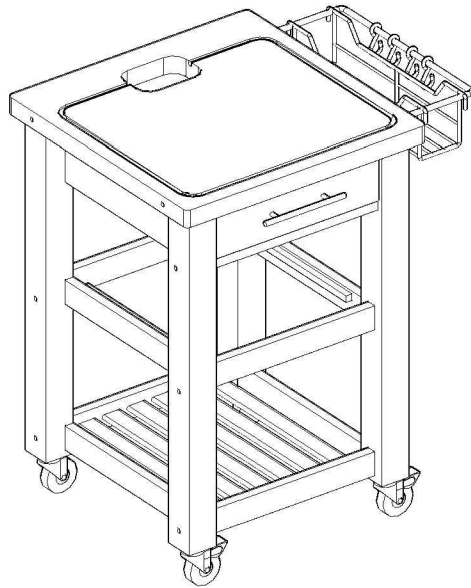
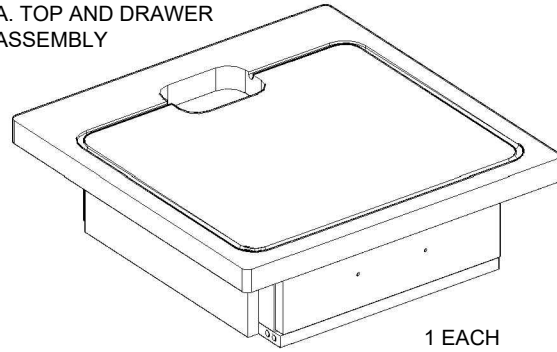


CHEF KITCHEN WORK STATION # 1954
JET 1225 - JET 1226

ASSEMBLY INSTRUCTION

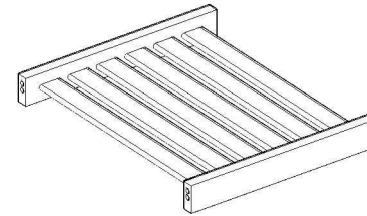


A. TOP AND DRAWER ASSEMBLY



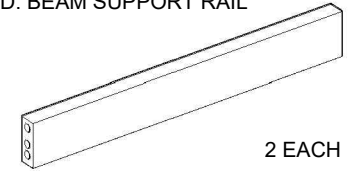
1 EACH

C. WOODEN SLAT SHELF



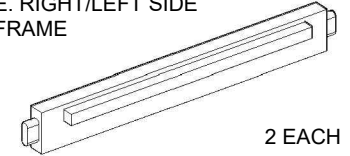
1 EACH

D. BEAM SUPPORT RAIL



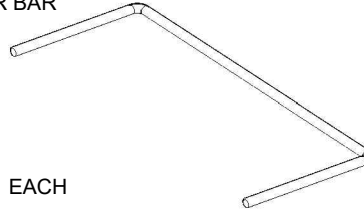
2 EACH

E. RIGHT/LEFT SIDE FRAME



2 EACH

F. TOWER BAR



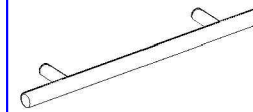
1 EACH

G. "S" HOOK



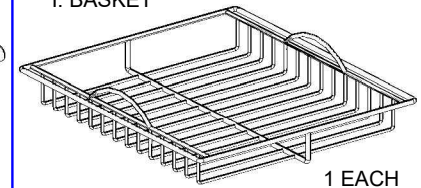
4 EACH

H. HANDLE



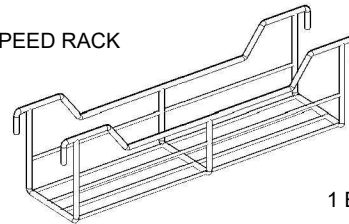
1 EACH

I. BASKET



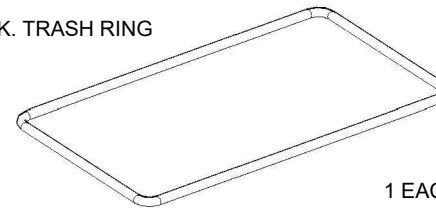
1 EACH

J. SPEED RACK



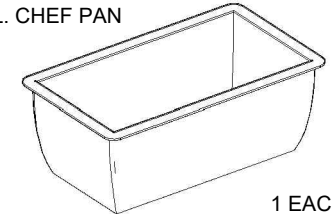
1 EACH

K. TRASH RING



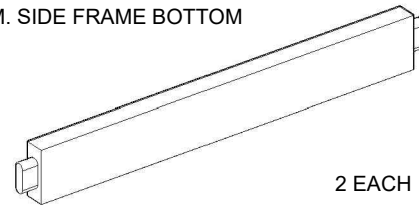
1 EACH

L. CHEF PAN



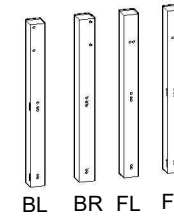
1 EACH

M. SIDE FRAME BOTTOM



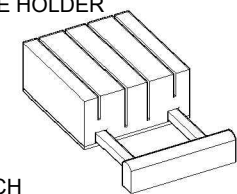
2 EACH

N. LEGS



1 SET

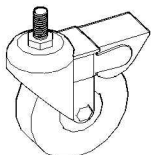
Q. KNIFE HOLDER



1 EACH

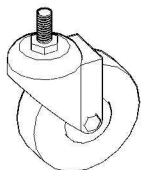
HARDWARE LIST

R. BRAKE WHEEL



2 EACH

S. WHEEL



2 EACH

U. LONG BOLT



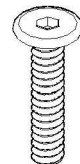
10 EACH

Y. BOLT



2 EACH

W. SHORT BOLT



4 EACH

T. WOODEN PLUG



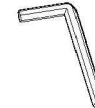
10 EACH

Zd. WRENCH



1 EACH

Ze. ALLEN WRENCH



1 EACH

Zi. BARREL NUT



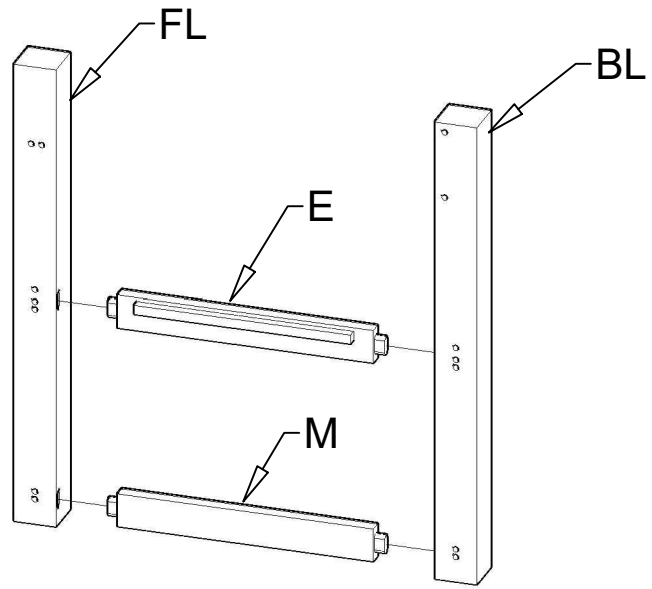
10 EACH

X. NATURAL WOODEN PLUG

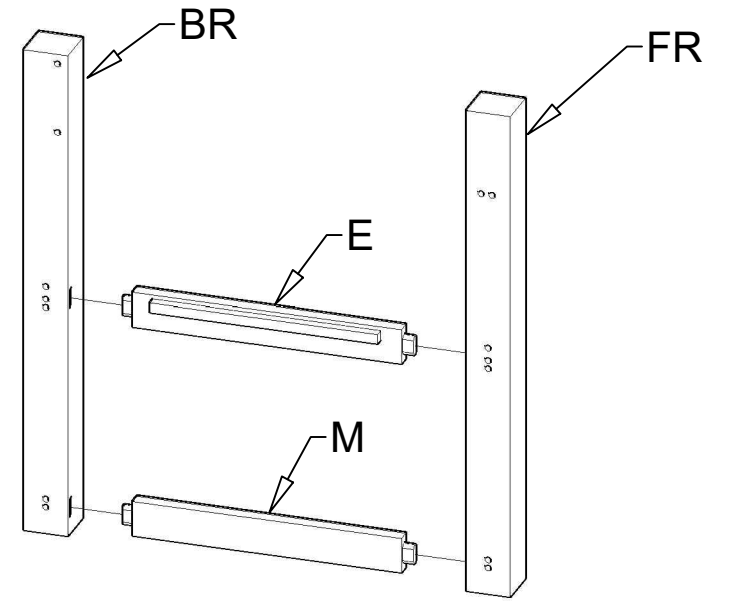


2 EACH

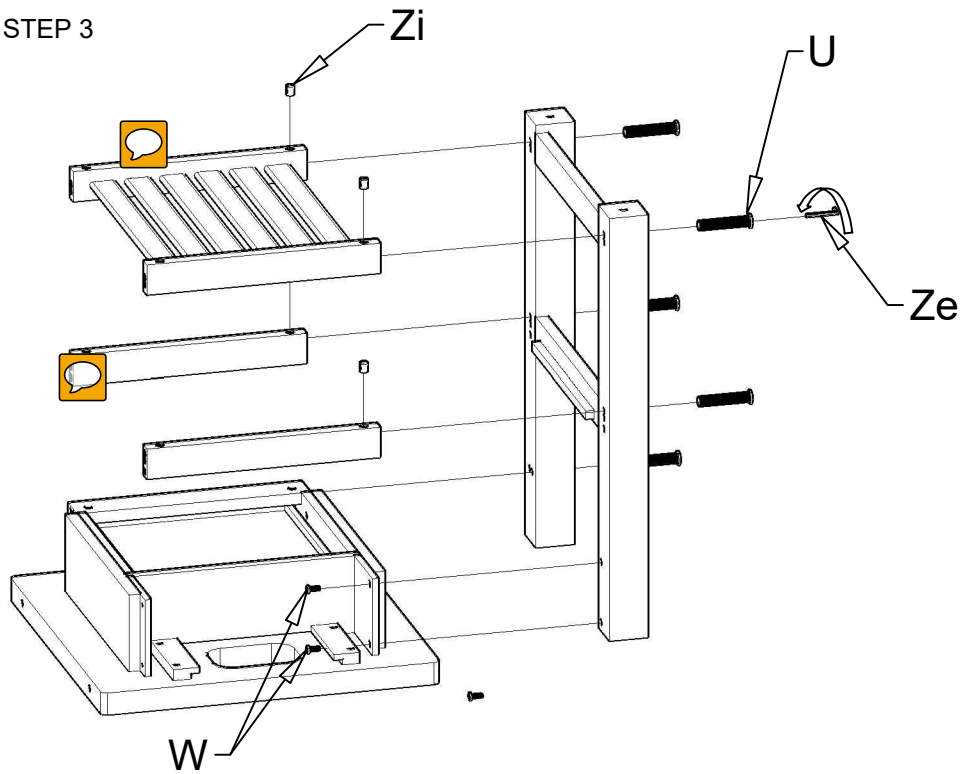
STEP 1



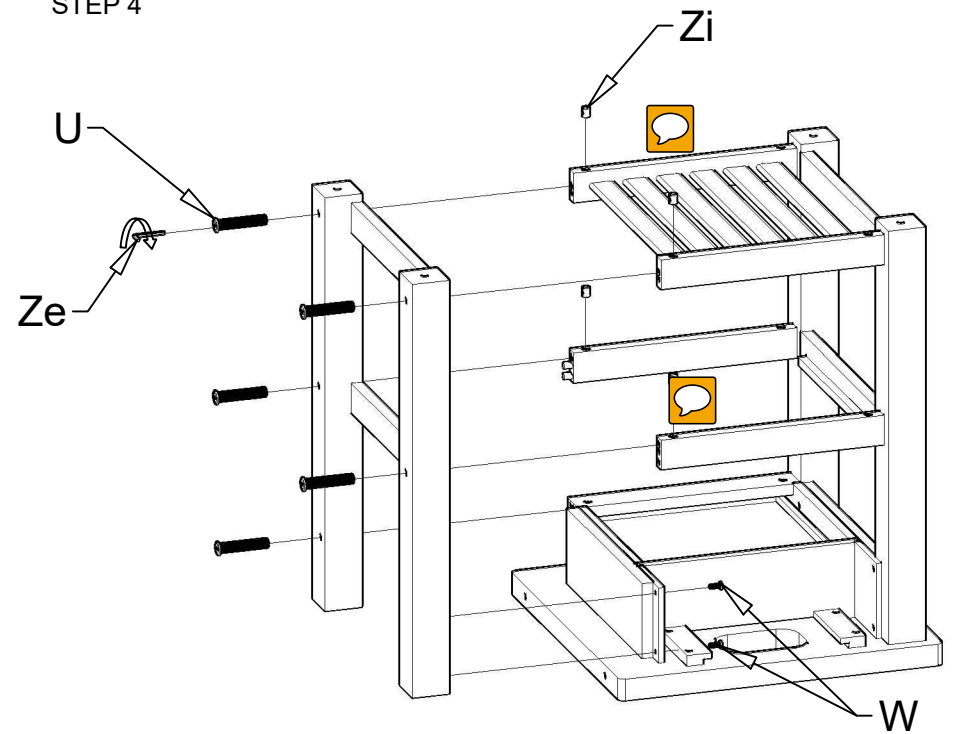
STEP 2



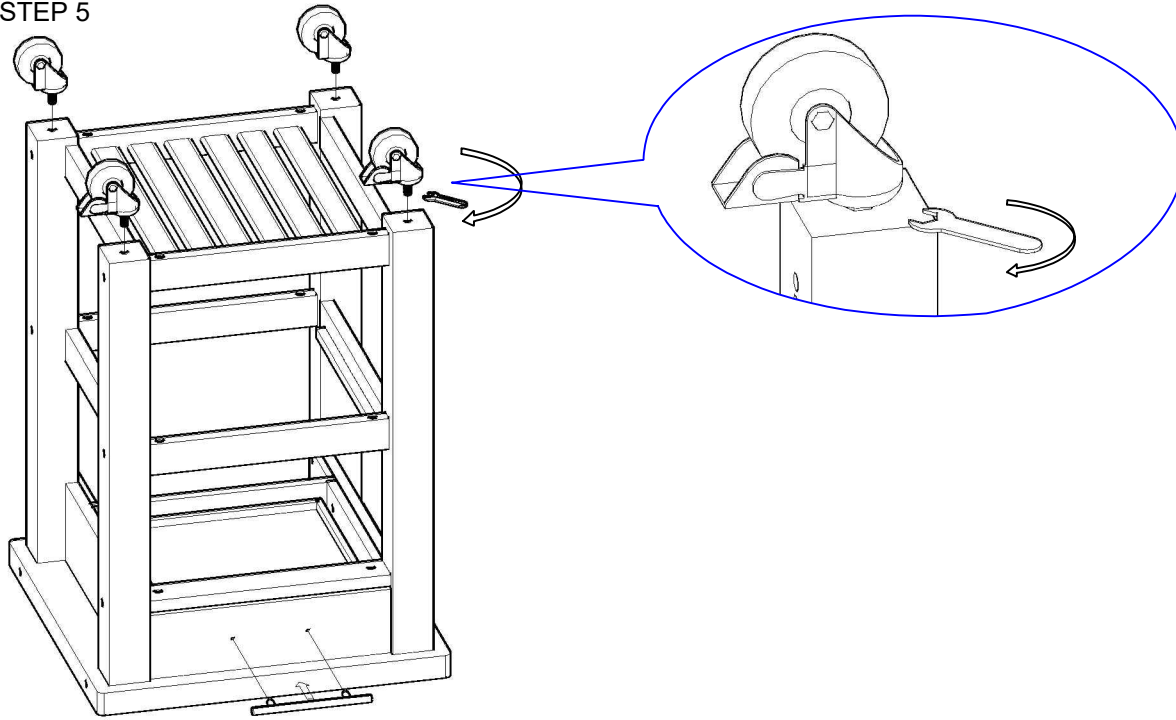
STEP 3



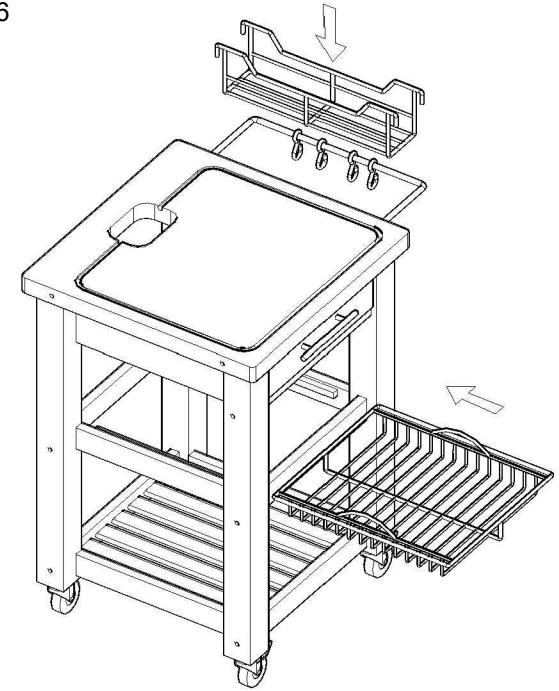
STEP 4



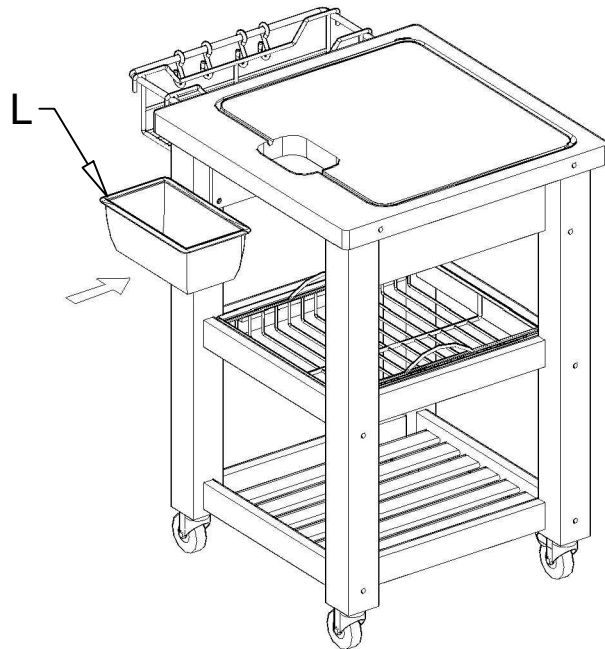
STEP 5



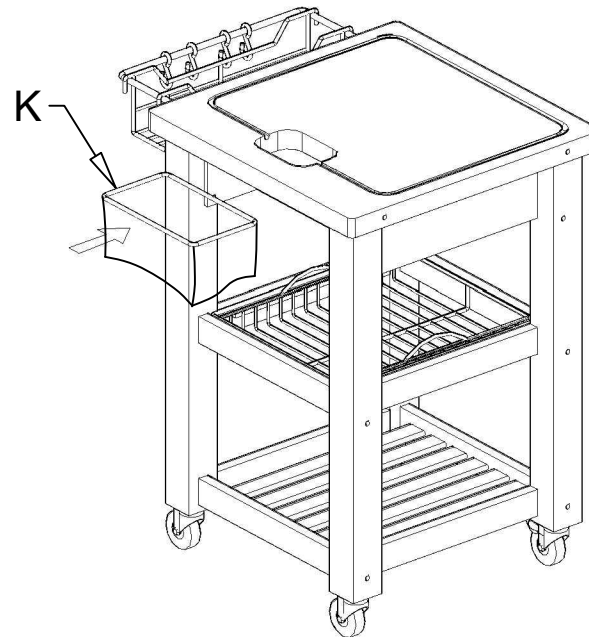
STEP 6



STEP 7



STEP 8



STEP 9

