

Wetguard® Single Flanged Inlets with Cover
Wetguard® Single and Duplex Flanged Outlets with Cover
Wetguard® Replacement Covers



IP66 Suitability - NEMA Type, 4, 4X, & 12 when used with Leviton Wetguard® Boxes

PK-93737-10-00-0A

INSTALLATION

ENGLISH

WARNING AND CAUTIONS:

- TO BE INSTALLED AND/OR USED IN ACCORDANCE WITH ELECTRICAL CODES AND REGULATIONS.
- IF YOU ARE UNSURE ABOUT ANY PART OF THESE INSTRUCTIONS, CONTACT AN ELECTRICIAN.
- USE THIS DEVICE WITH **COPPER WIRE ONLY**.

TO INSTALL

NOTE: For installation of single flanged inlets and outlets with covers, and duplex flanged outlets with covers onto Leviton FD boxes Cat Nos: **FDBX1** (single gang), **FDBX2** (2-gang) and **FDBX3** (3-gang).

NOTE: All boxes have a pre-assembled stainless steel grounding plate installed in each gang. Stainless steel plate is NOT required and must be removed when installing a duplex flanged outlet with cover by removing the four screws holding plate in place (see Fig.1).

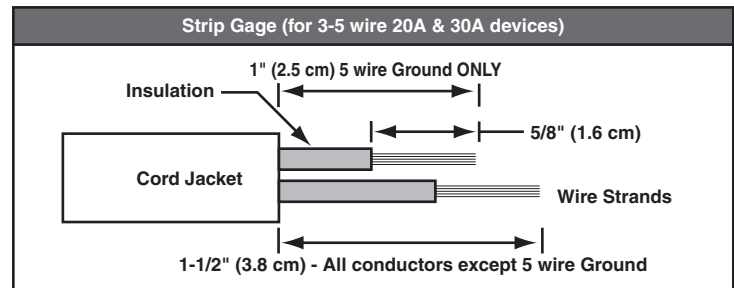
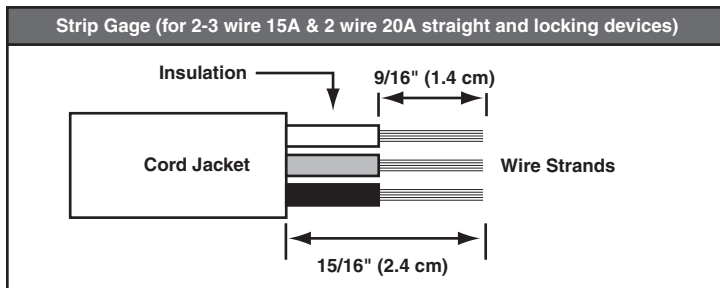
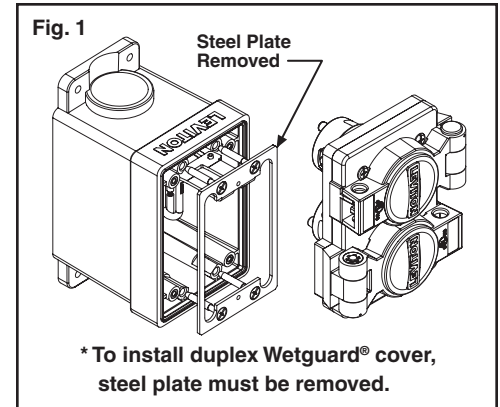
NOTE: Inlets and outlets are pre-assembled into mounting cup(s). It is not required to remove inlet/outlet from mounting cup to wire.

WARNING: TO AVOID FIRE, SHOCK, OR DEATH; **TURN OFF POWER AT CIRCUIT BREAKER OR FUSE AND TEST THAT THE POWER IS OFF BEFORE WIRING!**

1. Mount FD box as per appropriate wiring instructions enclosed with box.

2. To wire inlets/outlets use stranded wire ONLY. Strip wires as per wire gage shown below. **DO NOT USE SOLID WIRE. DO NOT TIN CONDUCTORS.**

NOTE: If installing a duplex outlet, stainless steel grounding plate **must be removed** to mount device. Remove the four screws holding plate in place.



3. **Connect wires:** Fully back out all terminal screws from wiring clamps. Twist the strands of each stripped conductor tightly together, and insert into proper wire well (see chart below). Tighten terminal screws firmly to 12-14 in.-lbs. torque. CHECK FOR STRAY WIRE STRANDS. Repeat for all conductors.

NOTE: Where applicable, it is suggested to connect GROUND wire first.

CAUTION: WIRING CLAMPS **MUST CONTACT ONTO BARE CONDUCTOR ONLY, NOT ON INSULATION.**

NOTE: Polarity of wiring for NEMA devices is identified by markings on device and/or screw color as shown below. For polarity of wiring for NON-NEMA devices refer to device(s) to be replaced for specific wiring pattern.

| Marking on NEMA device | NEMA screw color | Conductor color |
|--------------------------|----------------------|---|
| G, GRND, GREEN, or EQ GR | (Grounding) GREEN | Bare, Green, or Green/Yellow wire |
| W, or White | (Neutral) SILVER | White or Gray wire |
| X, Y, Z, or BLANK | (Hot) BRASS or BLACK | Black, Red, Blue or any other than White, Green, Gray, Green/Yellow, or Bare wire |

4. Mount wired device onto Leviton FDBX1, FDBX2 or FDBX3 box.

5. Tighten enclosed cover screws to 10-12 in.-lbs of torque.

6. Restore power at circuit breaker or fuse. **INSTALLATION IS COMPLETE.**

FOR INSTALLATION OF REPLACEMENT COVERS (Fig. 2)

WARNING: TO AVOID FIRE, SHOCK, OR DEATH; **TURN OFF POWER AT CIRCUIT BREAKER OR FUSE AND TEST THAT THE POWER IS OFF BEFORE INSTALLING REPLACEMENT COVER!**

NOTE: Replacement covers are to be used with Leviton devices as shown in **Charts A-D** on reverse side.

1. Remove existing Wetguard® cover and cover screws.

2. Remove existing rubber gasket from back of inlet/outlet cup by pulling on corner(s) to dislodge gasket.

3. Separate screws and gasket from new replacement Wetguard® cover.

4. Place new rubber gasket onto inlet/outlet cup by pressing on each corner so that inlet/outlet cup frame snaps securely into back of gasket.

5. Mount inlet/outlet cup with new rubber gasket onto box.

6. Mount new Wetguard® cover onto box and tighten enclosed cover screws to 10-12 in.-lbs of torque.

7. Restore power at circuit breaker or fuse. **INSTALLATION IS COMPLETE.**

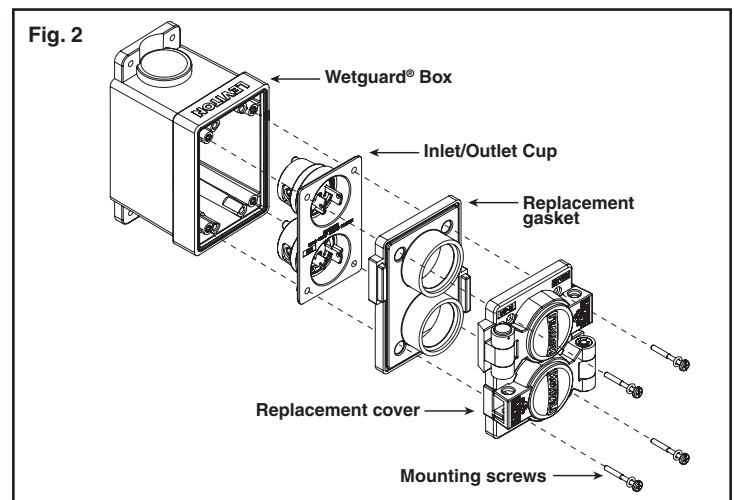


Chart A

| COVER | DESCRIPTION | DEVICE | MATING DEVICE | |
|-----------|---|-------------------------------------|--------------------------------------|-------------|
| WTCVS-015 | Replacement cover for all 15A configurations, all 20A straight blade, and 20A 2-wire locking, single flanged inlets and outlets | Single Flanged Inlet w/Cover | Connector | |
| | | 59W04 | 79W04-C | |
| | | 59W07 | 79W07-C | |
| | | 59W33 | 79W33-C | |
| | | 59W47 | 79W47-C | |
| | | 59W48 | 79W48-C | |
| | | 59W49 | 79W49-C | |
| | | 64W04 | 79W04-C | |
| | | 64W07 | 74W07-C | |
| | | 64W34 | 74W34-C | |
| | | 64W47 | 74W47-C | |
| | | 64W49 | 74W49-C | |
| | | 66W07 | 76W07-C | |
| | | | Single Flanged Outlet w/Cover | Plug |
| | | | 90W04 S | 14W04 |
| | | | 90W07 S | 14W07 |
| | | | 90W33 S | 14W33 |
| | | | 90W47 S | 14W47 |
| | | | 90W48 S | 14W48 |
| | | | 90W49 S | 14W49 |
| | | | 95W04 S | 24W04 |
| | | | 95W07 S | 24W07 |
| | | | 95W34 S | 24W34 |
| | | | 95W47 S | 24W47 |
| | | | 95W49 S | 24W49 |
| | | | 97W07 S | 26W07 |

Chart C

| COVER | DESCRIPTION | DEVICE | MATING DEVICE | |
|-----------|---|-------------------------------------|--------------------------------------|-------------|
| WTCVS-030 | Replacement cover for 30A single flanged inlets and outlets | Single Flanged Inlet w/Cover | Connector | |
| | | 68W03 | 78W03-C | |
| | | 68W08 | 78W08-C | |
| | | 68W09 | 78W09-C | |
| | | 68W47 | 78W47-C | |
| | | 68W48 | 78W48-C | |
| | | 68W49 | 78W49-C | |
| | | 68W74 | 78W74-C | |
| | | 68W75 | 78W45-C | |
| | | 68W76 | 78W76-C | |
| | | 68W77 | 78W77-C | |
| | | 68W81 | 78W81-C | |
| | | 68W820 | 78W82-C | |
| | | | Single Flanged Outlet w/Cover | Plug |
| | | | 99W08 S | 28W08 |
| | | | 99W09 S | 28W09 |
| | | | 99W47 S | 28W47 |
| | | | 99W48 S | 28W48 |
| | | | 99W49 S | 28W49 |
| | | | 99W74 S | 28W74 |
| | | | 99W75 S | 28W75 |
| | | | 99W76 S | 28W76 |
| | | | 99W77 S | 28W77 |
| | | | 99W81 S | 28W81 |
| | | | 99W82 S | 28W82 |
| | | | 99W83 S | 28W83 |

Chart B

| COVER | DESCRIPTION | DEVICE | MATING DEVICE | |
|-----------|--|-------------------------------------|--------------------------------------|-------------|
| WTCVS-020 | Replacement cover for 20A, 3-5 wire, locking single flanged inlets and outlets | Single Flanged Inlet w/Cover | Connector | |
| | | 59W33 | 79W33-C | |
| | | 59W48 | 79W48-C | |
| | | 66W07 | 76W07-C | |
| | | 66W08 | 76W08-C | |
| | | 66W09 | 76W09-C | |
| | | 66W10 | 76W10-C | |
| | | 66W47 | 76W47-C | |
| | | 66W48 | 76W48-C | |
| | | 66W49 | 76W49-C | |
| | | 66W74 | 76W47-C | |
| | | 66W75 | 76W75-C | |
| | | 66W76 | 76W76-C | |
| | | 66W81 | 76W81-C | |
| | | 66W82 | 76W82-C | |
| | | 66W83 | 76W83-C | |
| | | 68W29 | 78W29-C | |
| | | | Single Flanged Outlet w/Cover | Plug |
| | | | 90W33 S | 14W33 |
| | | | 90W48 S | 14W48 |
| | | | 93W07 S | 22W07 |
| | | | 97W07 S | 26W07 |
| | | | 97W08 S | 26W08 |
| | | | 97W09 S | 26W09 |
| | | | 97W10 S | 26W10 |
| | | | 97W47 S | 26W47 |
| | | | 97W48 S | 26W48 |
| | | | 97W49 S | 26W49 |
| | | | 97W74 S | 26W74 |
| | | | 97W75 S | 26W75 |
| | 97W76 S | 26W76 | | |
| | 97W81 S | 26W81 | | |
| | 97W82 S | 26W82 | | |
| | 97W83 S | 26W83 | | |

Chart D

| COVER | DESCRIPTION | DEVICE | MATING DEVICE |
|-------|---|--------------------------------------|---------------|
| WTCVD | Replacement cover for 15/20A duplex flanged outlets | Duplex Flanged Outlet w/Cover | Plug |
| | | 80W04 D | 14W04 |
| | | 80W07 D | 14W07 |
| | | 80W47 D | 14W47 |
| | | 80W49 D | 14W49 |
| | | 85W04 D | 24W04 |
| | | 85W07 D | 24W07 |
| | | 85W34 D | 24W34 |
| | | 85W47 D | 24W47 |
| | | 85W49 D | 24W49 |
| | | 87W07 D | 26W07 |

These products are covered by Patents: U.S. 5,863,221, CA 2,243,838 and MX 225,136

LIMITED LIFETIME WARRANTY AND EXCLUSIONS

Leviton warrants to the original consumer purchaser and not for the benefit of anyone else that this product at the time of its sale by Leviton is free of defects in materials and workmanship under normal and proper use during the lifetime of the product. Leviton's only obligation is to correct such defects by repair or replacement, at its option, if the product is returned prepaid, with proof of purchase date, and a description of the problem to **Leviton Manufacturing Co., Inc., Att: Quality Assurance Department, 201 North Service Road, Melville, N.Y. 11747**. This warranty excludes and there is disclaimed liability for labor for removal of this product or reinstallation. This warranty is void if this product is installed improperly or in an improper environment, overloaded, misused, opened, abused, or altered in any manner, or is not used under normal operating conditions or not in accordance with any labels or instructions. There are no other or implied warranties of any kind, including merchantability and fitness for a particular purpose. Leviton is not liable for incidental, indirect, special, or consequential damages, including without limitation, damage to, or loss of use of, any equipment, lost sales or profits or delay or failure to perform this warranty obligation. The remedies provided herein are the exclusive remedies under this warranty, whether based on contract, tort or otherwise.