



Copper Mission Fire Tub

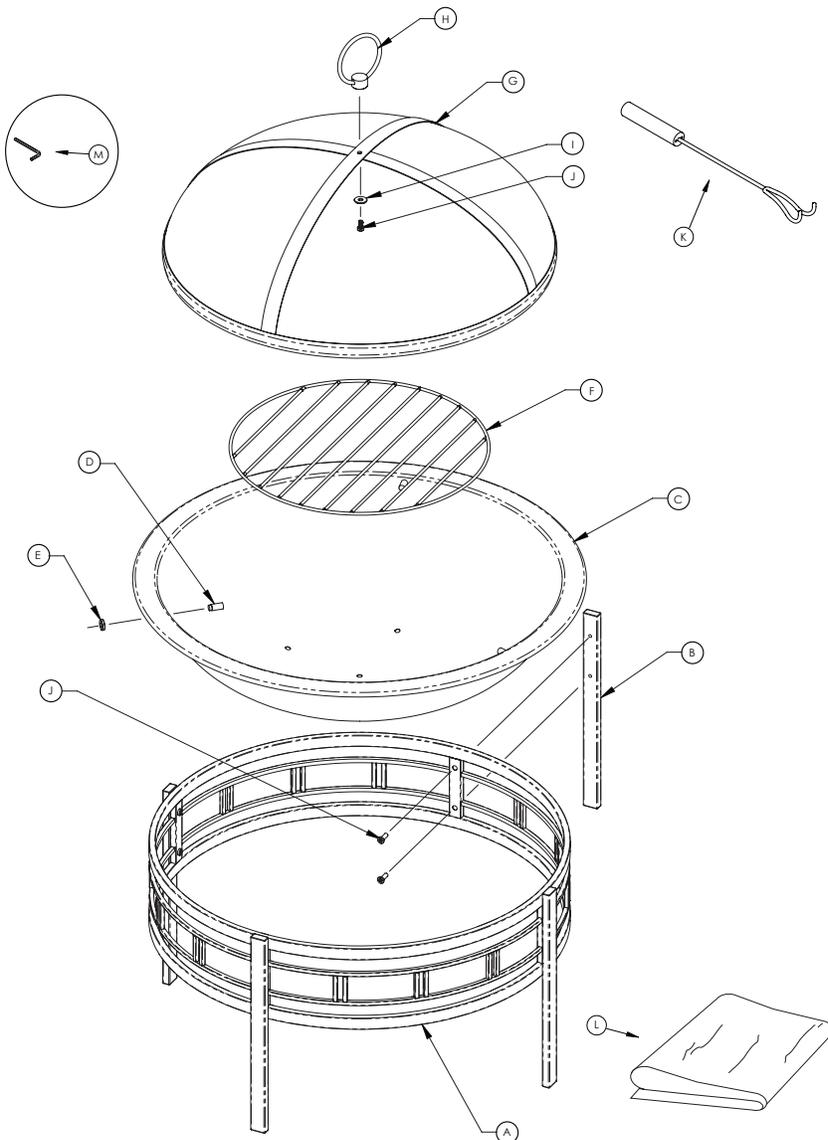
Owner's Manual

Model: FBCOPMISN-C

***Parts Enclosed**

- A. Frame (1)
- B. Leg (4)
- C. Basin (1)
- D. Pin, Base (3)
- E. Bushing, Pin (3)
- F. Grill (1)
- G. Lid w/Mesh (1)
- H. Cover Handle (1)
- I. Washer, Handle (1)
- J. M6 x 1 Screw (9)
- K. Spark Guard Removal Tool (9)
- L. Vinyl Cover
- M. Allen Wrench

* Please check enclosed parts shipped with the Fire Pit. If any parts are missing, do not return the item to the retailer. Please contact us first for replacement parts. Please e-mail (for quickest response) consumercare@woodstream.com or call 1-800-323-5800



Fire Pit Assembly Instructions

1. Assemble Cover Handle (H) to Lid (G) using Washer (I) and Screw (J).
2. Assemble Legs (B) to Frame (A) using Screws (J).
3. Attach Pins (D) to inside of Basin (C) using Bushings (E) outside.
4. Place Basin Assembly inside of Frame Assembly.
5. Place Grill on Pins inside Basin Assembly.
6. Place Lid Assembly on Basin Assembly to close.

Copper Mission Fire Tub



IMPORTANT SAFETY INSTRUCTIONS

Please read and follow all instructions before assembling or using this product.



- ALWAYS use MESH SPARK GUARD when fire is lit.
- NOT FOR USE BY CHILDREN.
- The FIRE PIT IS HOT! DO NOT TOUCH or allow children near fire bowl while it is in use.
- Spark guard handle will be HOT when in use. To remove, use a heat-proof barbecue mitt or poker tool to grasp handle.
- Approved items for burning: wood, self-starting fire logs, & charcoal.
- Keep a fire extinguisher, garden hose, or bucket of sand nearby to smother fire if necessary.
- DO NOT put vinyl cover on until fire bowl is completely cooled and embers are extinguished.

FOR OUTDOOR USE ONLY! FOR OUTDOOR USE ONLY!

SAFETY PRECAUTION DEFINITIONS

Warnings, Cautions, and Notes: Please read and follow all Safety Statements, Warnings, Notes and Assembly Instructions before attempting to assemble and use this unit.

NOTE: Your fire pit is made of cast metal. There may be roughness on the surface and design. This “one of a kind” look enhances the beauty of the product and is not a defect.

NOTE: Finish will not look the same after burning.

NOTE: Add at least 1 inch of sand to the bottom of the fire tub. This will distribute the heat more evenly.

WARNING

CARBON MONOXIDE HAZARD Burning charcoal inside can kill you. It gives off carbon monoxide, which has no odor. NEVER burn wood or charcoal inside homes, vehicles, or tents.

CAUTION

DO NOT allow small children near flame. Hot embers can fly out of the fire tub in windy conditions. Adequate fire extinguishing material should be readily available.

WARNING

DO NOT use this unit on a wood deck or other combustible surfaces such as dry grass, leaves, mulch, etc. DO NOT use this near heat sensitive or combustible structures such as vinyl or wood siding.

CAUTION

Some parts may contain sharp edges. Wear protective gloves as necessary.

Copyright © 2011, CobraCo® Mfg., Inc.
Woodstream® Corporation
69 North Locust Street • Lititz PA 17543-1714
Phone: 1-800-323-5800
Website: www.avantgardendecor.com
E-mail: consumercare@woodstream.com

Thank you for your purchase of a quality CobraCo® Fire Pit. With proper care and maintenance your CobraCo® product will provide you with years of entertainment. However your fire pit is made of metal, and will be susceptible to rust, weather, and other changes due to exposure from smoke and heat.

Helpful Tips for Proper Maintenance

- *Remove ash when the product has cooled down after each and every use.*
- *Cover your product with vinyl weather cover when product is cool and not in use.*
- *Place at least an inch of sand in the base of the pit to help distribute heat evenly.*
- *Do not overfill your pit with fuel when in use,*

Color change to the metal on the outside of your pit is normal, and should be expected. The color change occurs due to the effects of weather, heat, and smoke. To limit this color change, burn clean high-quality wood and keep your fire pit covered when not in use. You can also clean your product after each with soap, water, and the metal-appropriate polish and touch paint up with a high-temperature paint if so desired.

If you have any questions, concerns, or comments about your CobraCo® product, you can contact us at consumercare@woodstream.com, or by calling us at 1-800-323-5800. If you would like more information about the CobraCo® family of products visit our website at www.avantgardendecor.com, to view our full line of innovative outdoor décor and related family of outdoor decor brands.