



Item # 1000 284 936  
1002 665 498  
Model # FSS60428RST  
FSS60428RSTP

# USE AND CARE GUIDE

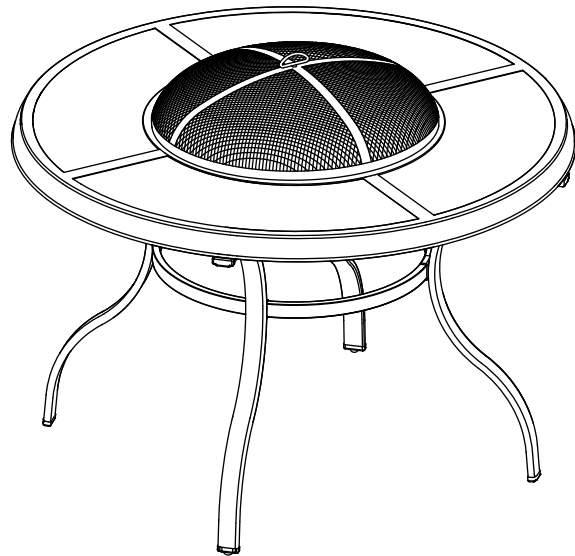
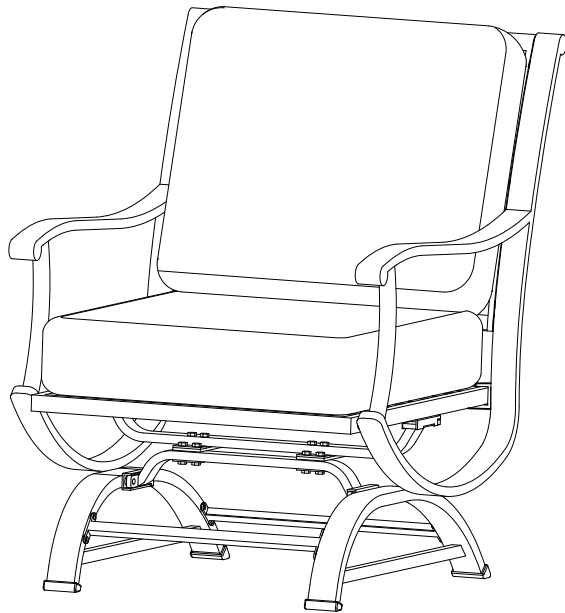
## REDWOOD VALLEY 5-PIECE FIRE PIT SET

Before you begin >>>

FOR QUICK &  
EASY ASSEMBLY  
FIND 3D INSTRUCTIONS  
FOR THIS PRODUCT IN

**BILT.**  
Intelligent Instructions

DOWNLOAD  
THE FREE APP



Questions, problems, missing parts? Before returning to the store,  
call Hampton Bay Customer Service  
8 a.m. - 7 p.m., EST, Monday - Friday, 9 a.m. - 6 p.m., EST, Saturday

**1-855-HD-HAMPTON**

**HAMPTONBAY.COM**

### THANK YOU

*We appreciate the trust and confidence you have placed in Hampton Bay through the purchase of this fire pit set. We strive to continually create quality products designed to enhance your home. Visit us online to see our full line of products available for your home improvement needs. Thank you for choosing Hampton Bay!*

# Table of Contents

Table of Contents.....	2	Pre-Assembly.....	3
Safety Information .....	2	Planning Assembly.....	3
Product Caution .....	2	Hardware Included.....	3
Safety Warnings .....	2	Chair Package Contents.....	4
Warranty .....	2	Fire Pit Package Contents.....	5
What is Covered.....	2	Chair Assembly.....	6
What is Not Covered.....	2	Fire Pit Assembly .....	13
		Care and Cleaning.....	15

# Safety Information

## PRODUCT CAUTION

This Redwood Valley Fire Pit Set was made for the explicit purpose of providing outdoor functions and is not to be used as a toy. This product is not intended for inclement / severe weather in any form including, but not limited to: rain, hail, sleet, snow and / or wind. The manufacturer recommends that with formidable weather approaching that you store and / or cover this set. Do not locate product near open flame. Do not use product as a support. Do not shake, lean or climb on product. Children under the age of 10, near the product, should be supervised by a competent adult at all times. This product is NOT intended for commercial use and will void the warranty.

## SAFETY WARNINGS



**WARNING:** Do not allow children to use or play near this outdoor fire pit.



**CAUTION:** Outdoor fire pits are only to be used in well ventilated areas a minimum of 20 ft. from building walls, overhangs, trees, etc. to prevent fires and melting of materials.



**WARNING:** Keep children, pets, loose clothing and hair safely away from outdoor fire pits. Failure to adhere to this could lead to severe personal injury or possible death.



**CAUTION:** To avoid fire hazards never leave a burning outdoor fire pit unattended.



**WARNING:** Place the outdoor fire pit on firm, level ground free of debris. This furniture is for outdoor use only.



**CAUTION:** Never use gasoline, kerosene, alcohol or other flammable fuel in or around the outdoor fire pit.



**WARNING:** All parts of the fire pit are hot during and after use. NEVER TOUCH WITH BARE HANDS! Use the poker to remove the mesh cover if needed.



**CAUTION:** Do not use during windy conditions or on wooden or composite decks.

# Warranty

## 2 YEAR FRAME AND 2 YEAR LIMITED FABRIC WARRANTY

### WHAT IS COVERED

We warrant the frame to be free of manufacturing defects to the original purchaser for two years, and a two year limited warranty for fabric.

### WHAT IS NOT COVERED

It remains the customer's responsibility for freight and packaging charges to and from our service center. This warranty does not cover commercial use, hardware, acts of nature, fire, freezing and abusive use. In addition, purchased parts are not covered under this warranty. We reserve the right to make substitutions with similar merchandise, if the model in question is no longer in production.

Contact the Customer Service Team at 1-855-HD-HAMPTON or visit [www.HamptonBay.com](http://www.HamptonBay.com).

# Pre-Assembly

## PLANNING ASSEMBLY

Read all instructions before assembly.

To avoid damaging this product, assemble it on a soft, non-abrasive surface such as carpet or cardboard.



**NOTE:** More than one person may be required to complete the assembly of this product.

## HARDWARE INCLUDED



**NOTE:** Hardware not shown to actual size.



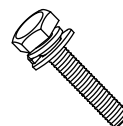
\_\_\_\_\_ AA



\_\_\_\_\_ BB



\_\_\_\_\_ CC



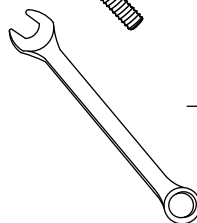
\_\_\_\_\_ DD



\_\_\_\_\_ EE



\_\_\_\_\_ FF



\_\_\_\_\_ GG

Part	Description	Quantity
AA	M6x15 combination bolt	8+1
BB	M6x25 combination bolt	64+2
CC	M6x30 combination bolt	8+1
DD	M8x28 combination hex bolt	32+1
EE	Plastic washer	8+1
FF	Hex wrench	2
GG	Wrench	1

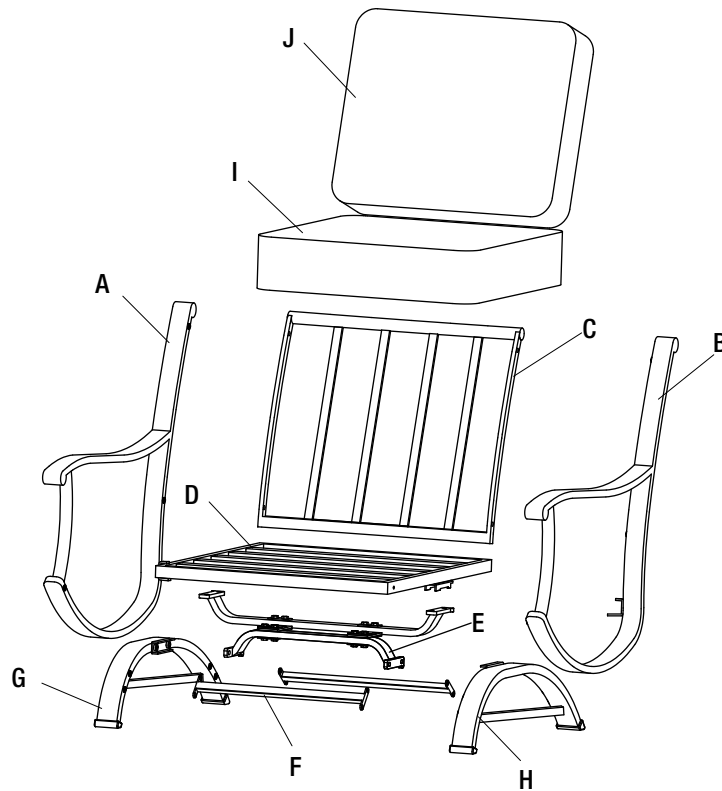


**WARNING:** FUELS USED IN WOOD OR CHARCOAL BURNING APPLIANCES, AND THE PRODUCTS OF COMBUSTION OF SUCH FUELS, CAN EXPOSE YOU TO CHEMICALS INCLUDING CARBON BLACK, WHICH IS KNOWN TO THE STATE OF CALIFORNIA TO CAUSE CANCER, AND CARBON MONOXIDE, WHICH IS KNOWN TO THE STATE OF CALIFORNIA TO CAUSE BIRTH DEFECTS OR OTHER REPRODUCTIVE HARM. For more information go to: [www.P65Warnings.ca.gov](http://www.P65Warnings.ca.gov).

**ADVERTENCIA:** LOS COMBUSTIBLES USADOS EN EQUIPOS PARA QUEMAR MADERA O CARBÓN, ASÍ COMO LOS PRODUCTOS DE TAL COMBUSTIÓN, PUEDEN EXPONERTE A SUSTANCIAS QUÍMICAS, ENTRE ELLAS EL NEGRO DE HUMO Y EL MONÓXIDO DE CARBONO, QUE EL ESTADO DE CALIFORNIA RECONOCE COMO CAUSA, RESPECTIVAMENTE, DE CÁNCER Y DE MALFORMACIONES CONGÉNITAS Y OTROS DAÑOS AL SISTEMA REPRODUCTOR. Para más información, visite [www.P65Warnings.ca.gov](http://www.P65Warnings.ca.gov)

# Pre-Assembly (continued)

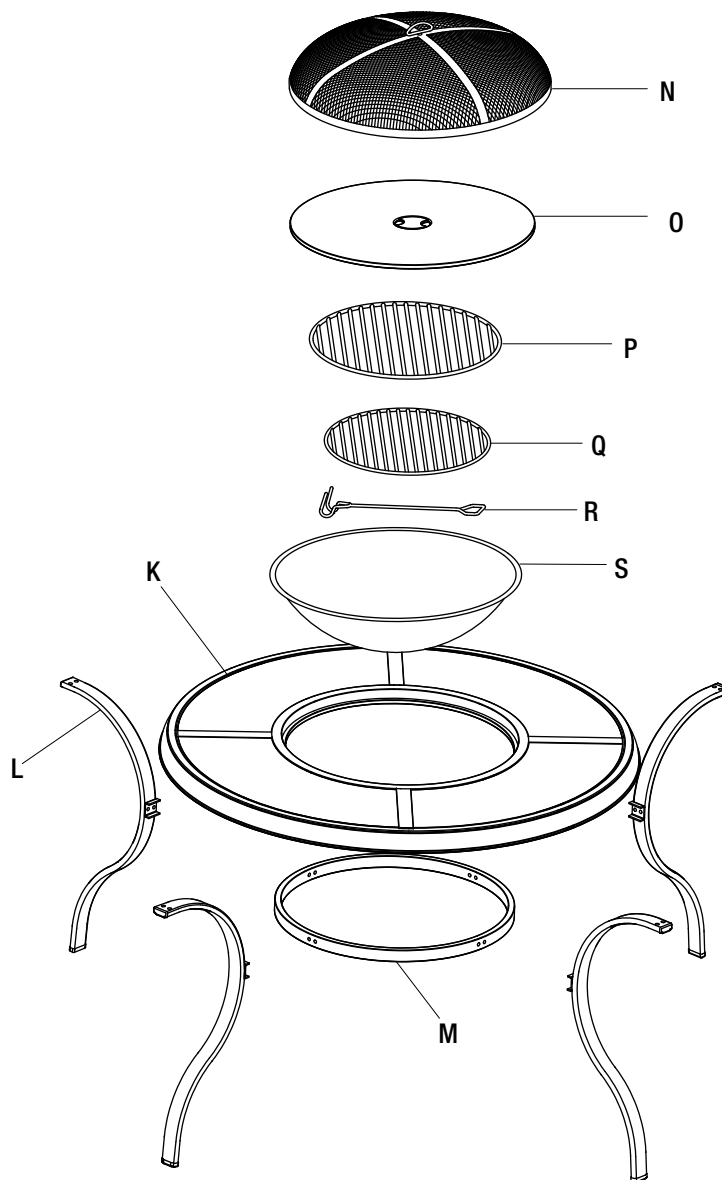
## CHAIR PACKAGE CONTENTS



Part	Description	Quantity
A	Right arm	4
B	Left arm	4
C	Chair back	4
D	Chair seat	4
E	Support tube	4
F	Connection bar	8
G	Right leg	4
H	Left leg	4
I	Seat cushion	4
J	Back cushion	4

# Pre-Assembly (continued)

## FIRE PIT PACKAGE CONTENTS



Part	Description	Quantity
K	Table rim	1
L	Table leg	4
M	Leg connector	1
N	Cover	1
O	Lid	1
P	Barbecue grate	1
Q	Log grate	1
R	Poker	1
S	Fire bowl	1

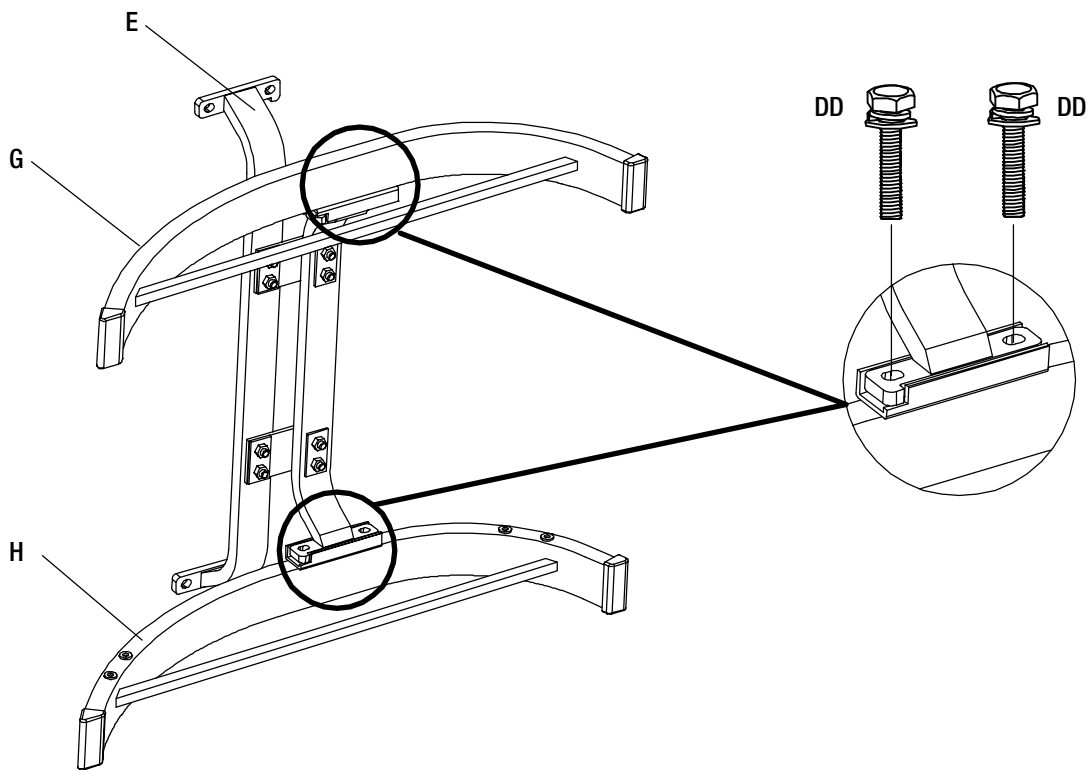
# Chair Assembly

## 1 Attaching the support tube to the legs

- Place the left leg (H) on a soft place.
- Attach the support tube (E) to the left leg (H) using M8x28 combination hex bolts (DD).
- Repeat the above steps to attach the right leg (G) to the support tube (E).
- Do not tighten all the bolts at this step.



**NOTE:** Loosely tighten all the bolts using the wrench (GG).



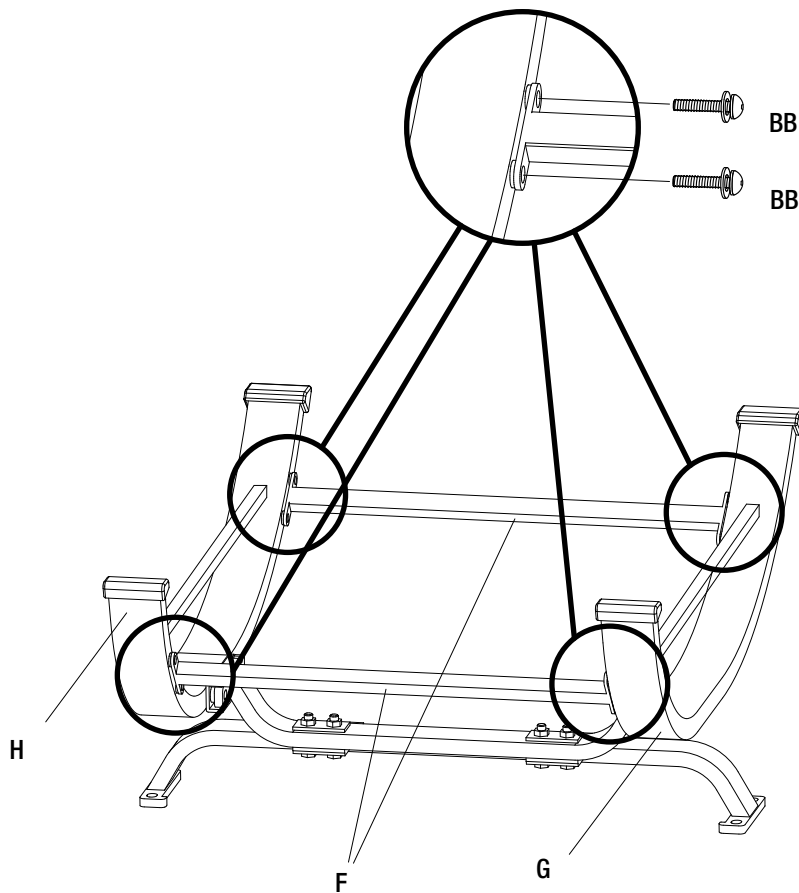
# Chair Assembly (continued)

## 2 Attaching the connection bars to the legs

- Attach the two connection bars (F) to the right and the left leg (G & H) using M6x25 combination bolts (BB).
- Do not tighten all the bolts at this step.



**NOTE:** Loosely tighten all the bolts using the hex wrench (FF).



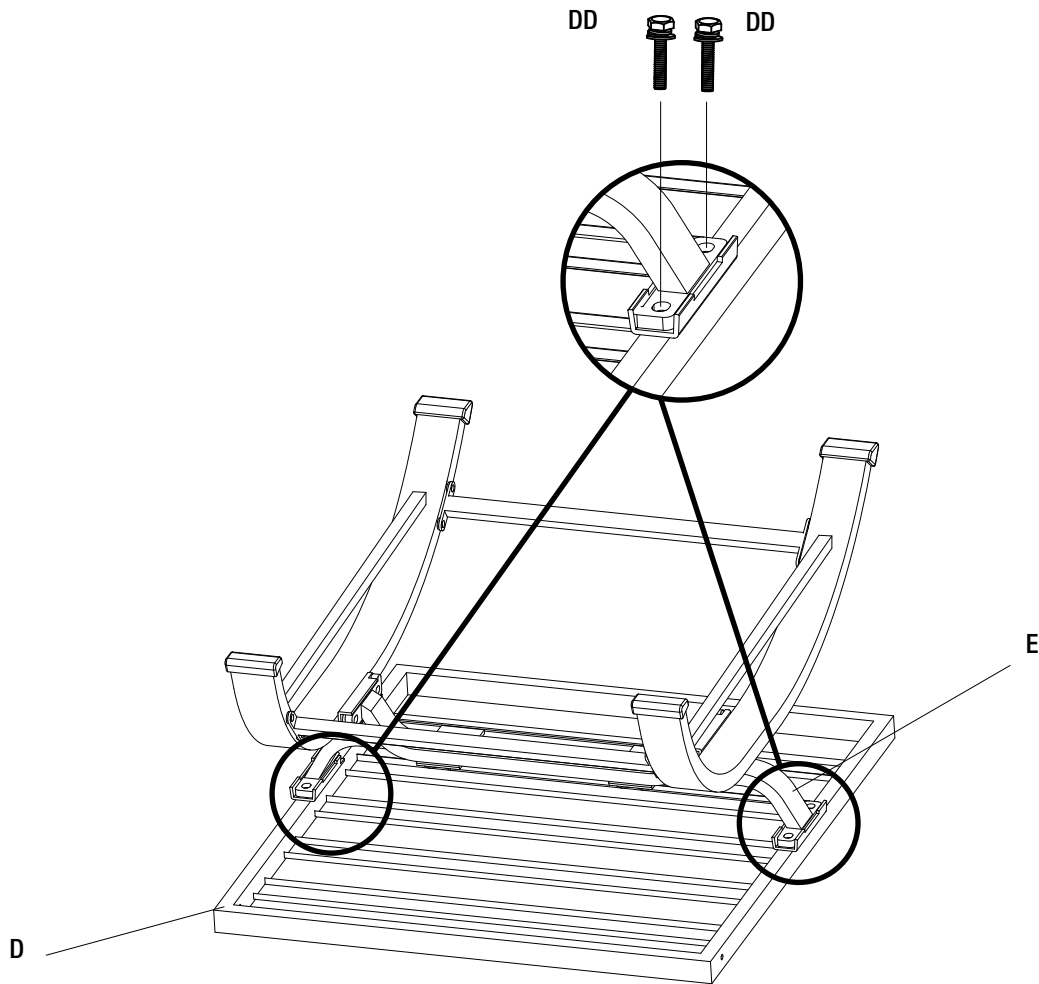
## Chair Assembly (continued)

### 3 Attaching the support tube to the chair seat

- Attach the support tube (E) to the chair seat (D) using M8x28 combination hex bolts (DD).



**NOTE:** Loosely tighten all the bolts using the wrench (GG).





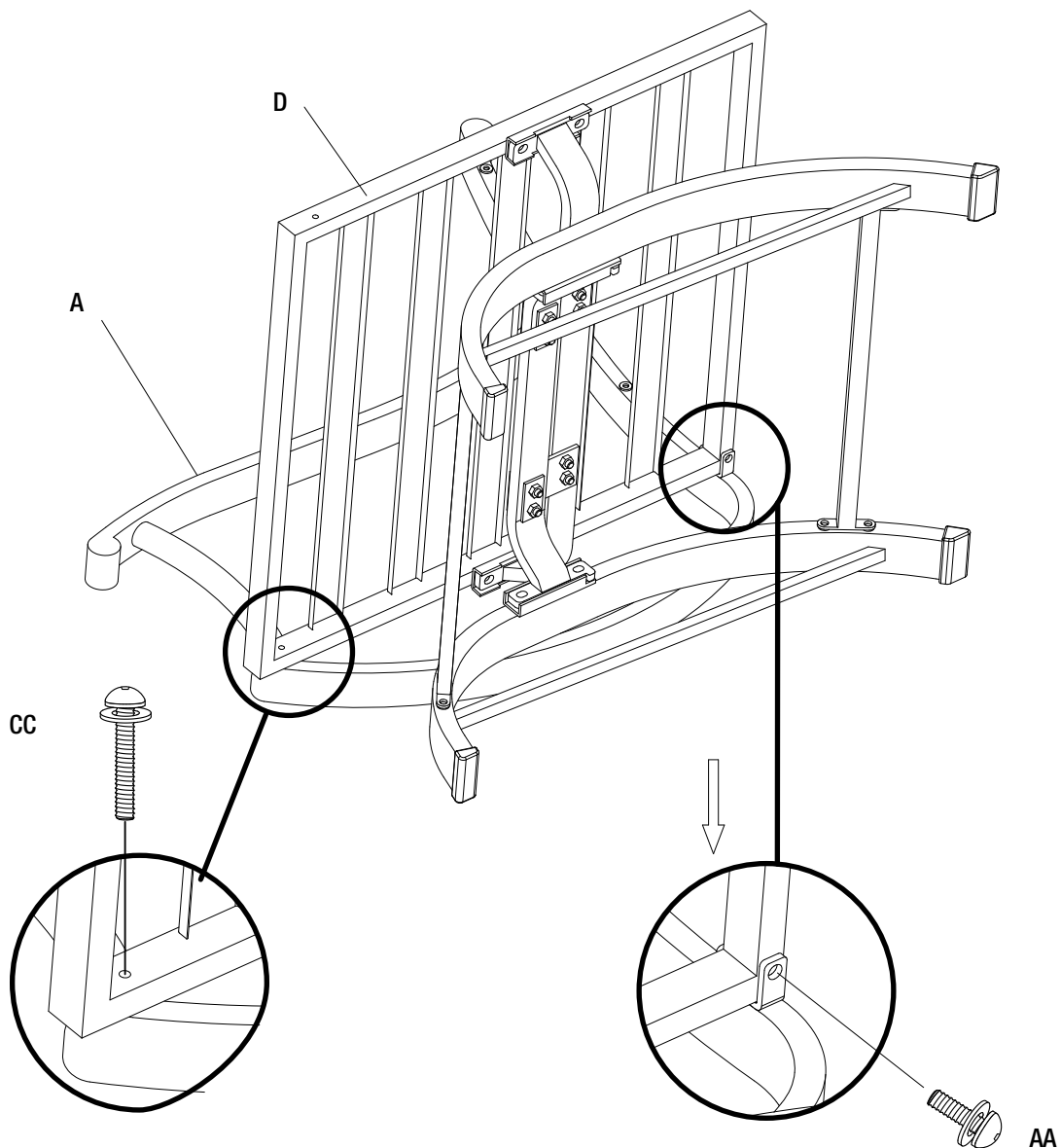
# Chair Assembly (continued)

## 4 Attaching the chair seat to the right arm

- Attach the back of the chair seat (D) to the back of the right arm (A) and secure by an M6x15 combination bolt (AA).
- Attach the front of the chair seat (D) to the front of the right arm (A) using an M6x30 combination bolt (CC).
- Do not tighten all the bolts at this step.



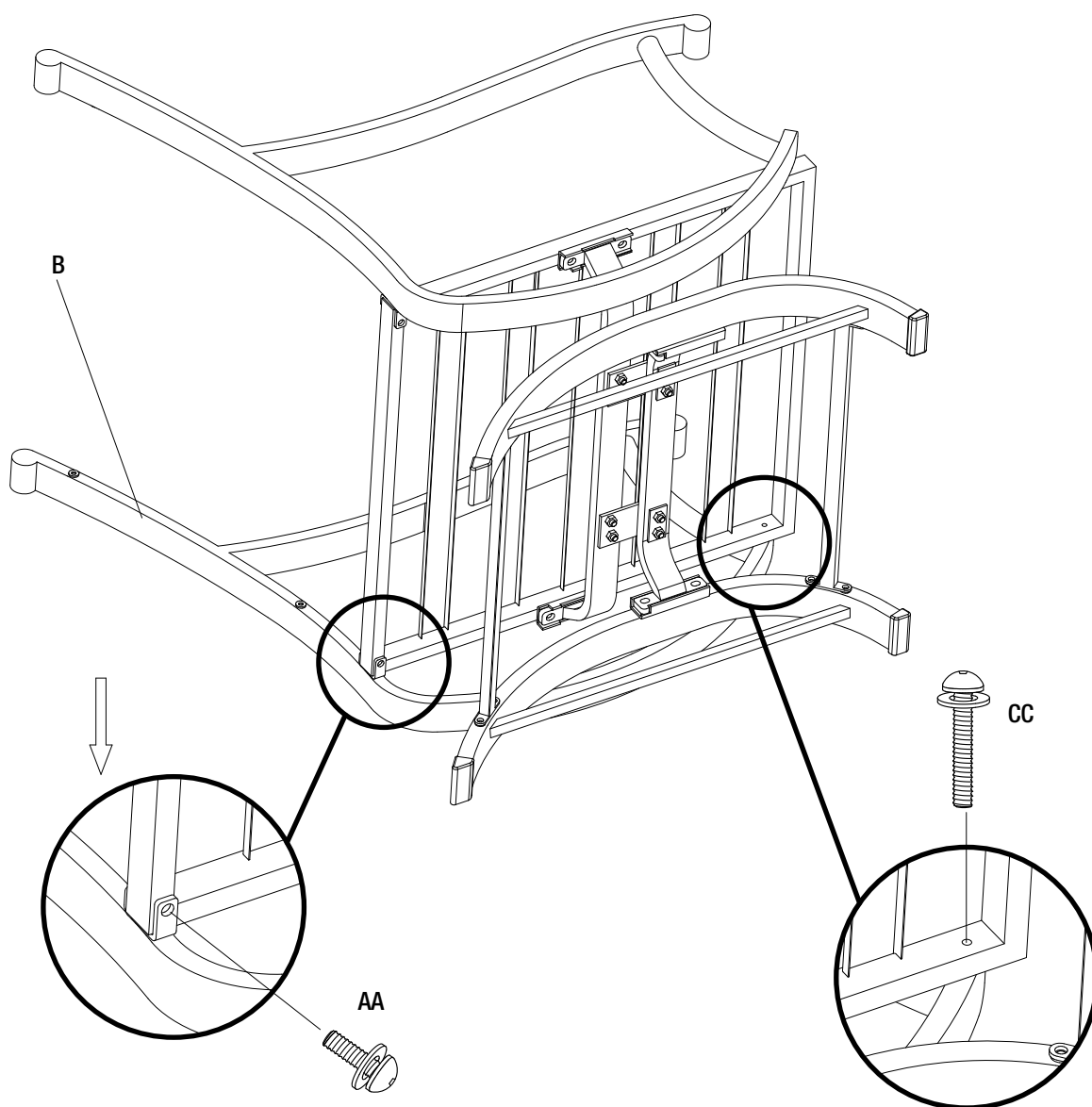
**NOTE:** Loosely tighten all the bolts using the hex wrench (FF).



## Chair Assembly (continued)

### 5 Attaching the chair seat to the left arm

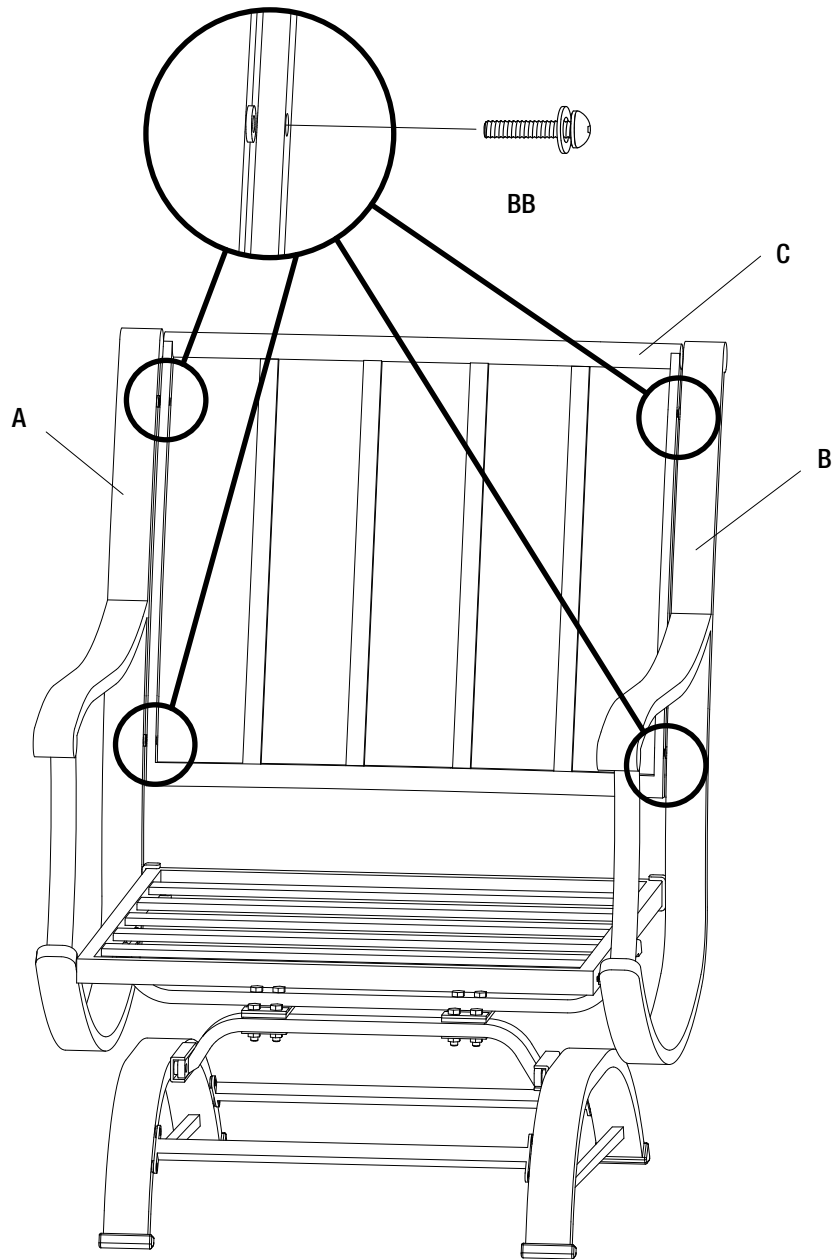
- Repeat step 4 to attach the chair seat (D) to the left arm (B).
- Do not fully tighten all the bolts at this step.



## Chair Assembly (continued)

### 6 Attaching the chair back to the arms

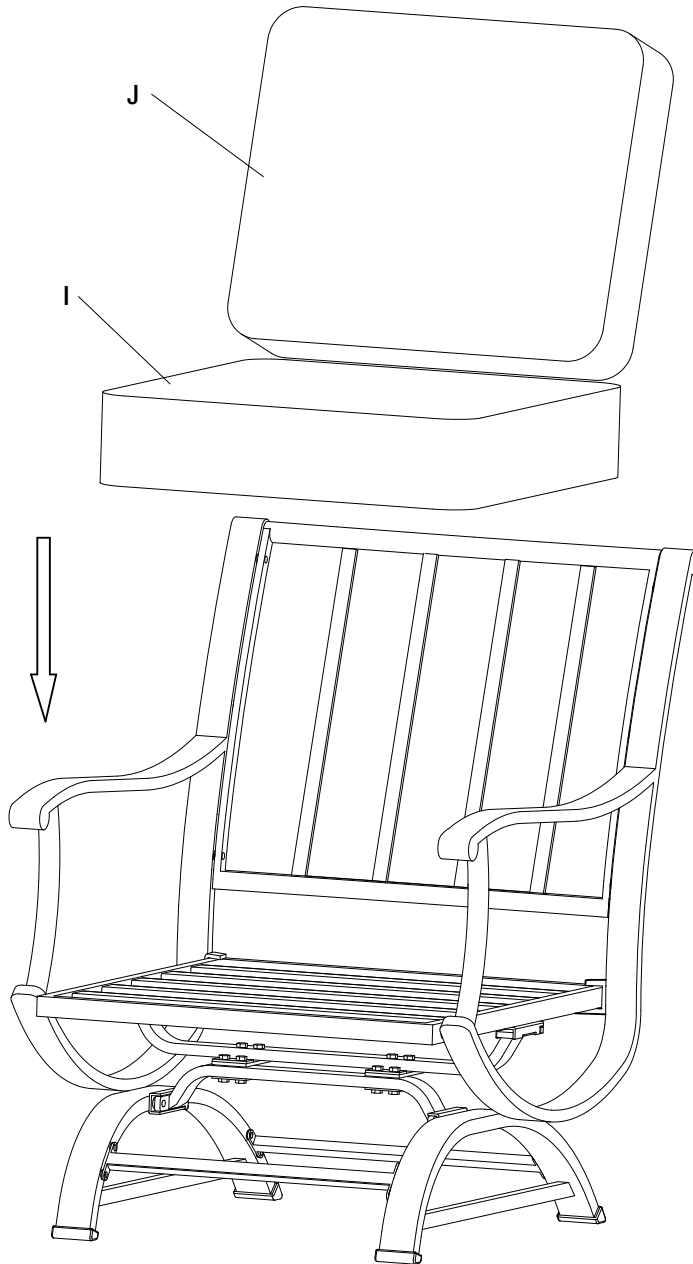
- Turn the chair right side up.
- Attach the chair back (C) to the right and the left arm (A & B) using M6x25 combination bolts (BB).
- Once all of the bolts are in place, fully tighten all the bolts using the hex wrench (FF) and the wrench (GG).



## Chair Assembly (continued)

### 7 Checking the chair

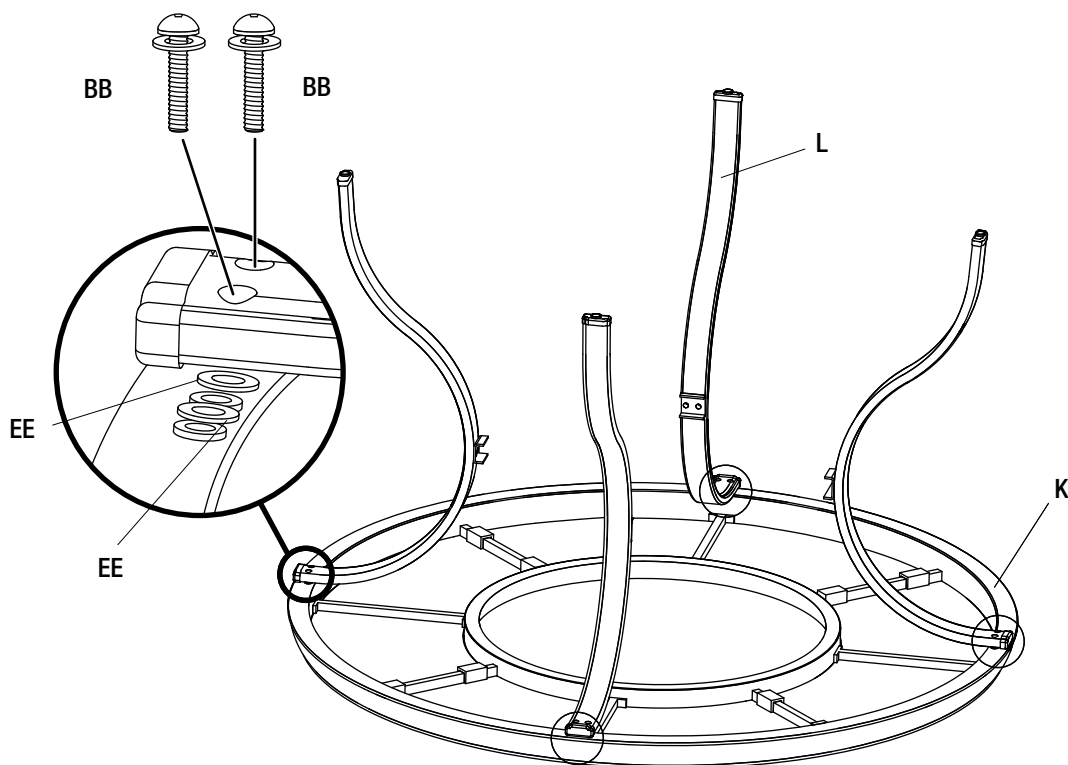
- Place the seat cushion (I) and the back cushion (J) to finish the assembly of the chair.
- Ensure all connections are secure before use.



# Fire Pit Assembly

## 1 Attaching the table legs to the table top

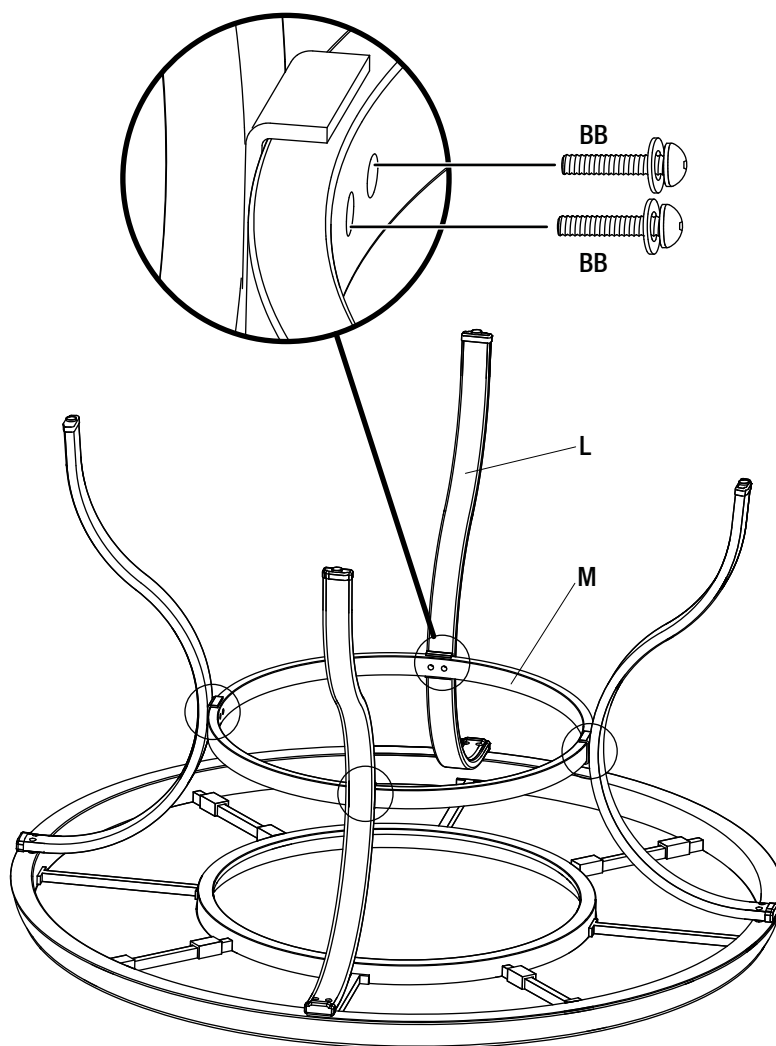
- Place the table top (K) upside down on a soft surface.
- Attach the table legs (L) to the table top (K) using M6x25 combination bolts (BB) and plastic washers (EE).
- Do not fully tighten all the bolts at this step.



## Fire Pit Assembly (continued)

### 2 Attaching the leg connector to the table legs

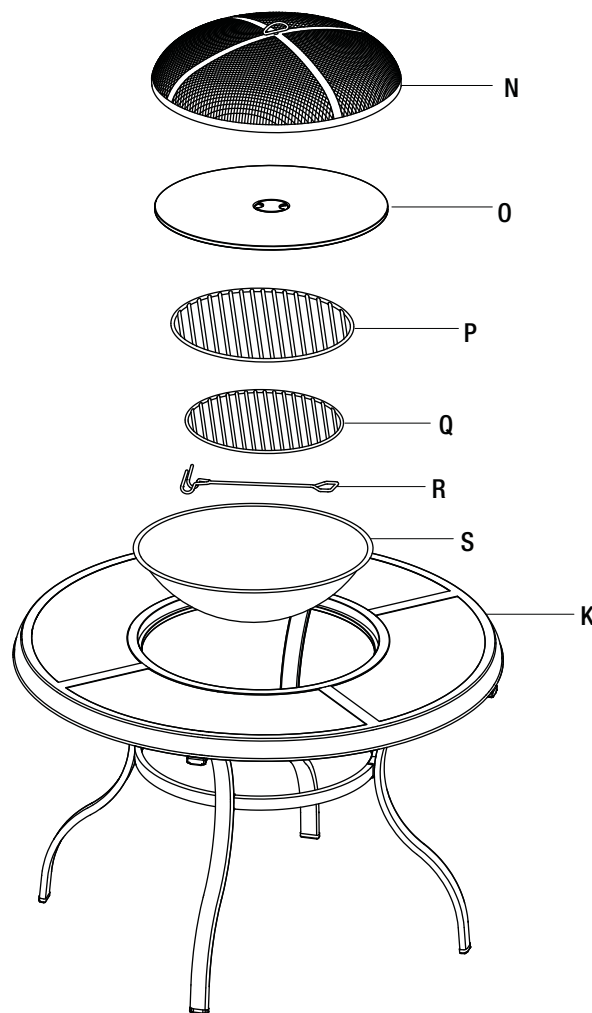
- Attach the leg connector (M) to the legs (L) using M6x25 combination bolts (BB).
- Once all of the bolts are in place, fully tighten the bolts using the hex wrench (FF).



## Fire Pit Assembly (continued)

### 3 Tightening all bolts and adding the fire pit

- Once all bolts are in place, fully tighten all bolts.
- Turn the table right side up.
- Carefully place the fire bowl (S) in the table rim (K).
- Then place the following in order, from bottom to top: the log grate (Q), the barbecue grate (P) and the lid (O) or the cover (N).
- When not in use, store the poker (R) under the log grate (Q).



## Care and Cleaning

- For best results, clean the frame and cushions with a damp cloth and dry thoroughly. This will help prevent mildew by removing dirt particles that may accumulate.
- Do not clean with abrasive materials, bleach, or solvents.
- Store the fire pit and chairs in a dry sheltered place when not in use.
- Keep the fire pit and chairs away from extreme heat, freezing conditions, and inclement weather such as rain, hail, sleet, snow and wind.



Questions, problems, missing parts? Before returning to the store,  
call Hampton Bay Customer Service  
8 a.m. - 7 p.m., EST, Monday - Friday, 9 a.m. - 6 p.m., EST, Saturday

**1-855-HD-HAMPTON**

**HAMPTONBAY.COM**

Retain this manual for future use.