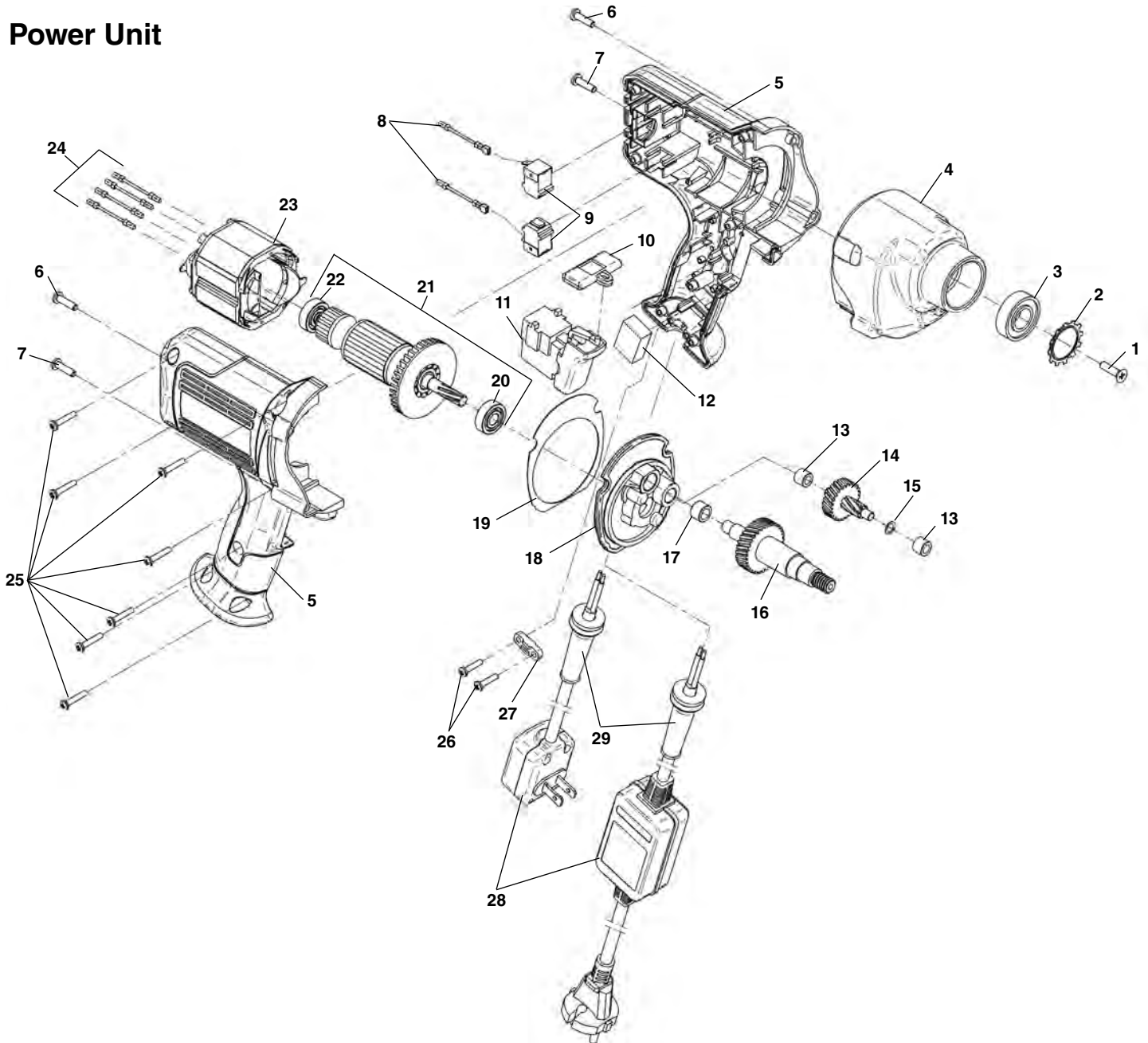
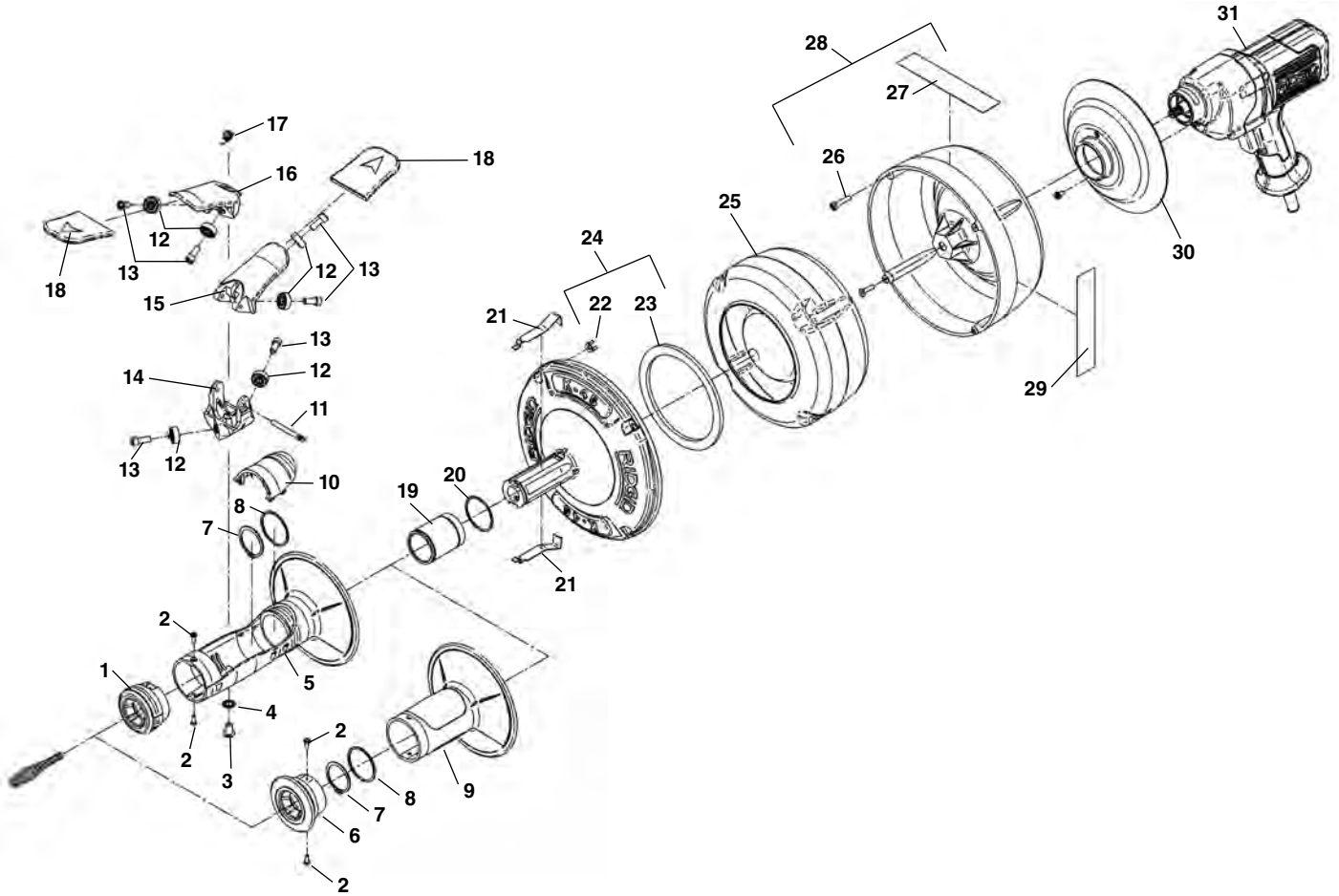


**Power Unit**



**NOTE: Order parts by Catalog Number only.  
DO NOT order by Reference Number.**

| Ref. No. | Catalog No. | Description                  | Ref. No. | Catalog No. | Description                 |
|----------|-------------|------------------------------|----------|-------------|-----------------------------|
| —        | 36488       | Power Unit, 115V             | 16       | 36408       | Spindle Gear                |
| —        | 36493       | Power Unit, 230V (Europe)    | 17       | 36413       | Needle Bearing              |
| —        | 40018       | Power Unit, 230V (Australia) | 18       | 36418       | Bearing Plate               |
| 1        | 36333       | Screw, LH                    | 19       | 36423       | Gasket                      |
| 2        | 36338       | Star Washer                  | 20       | 36428       | Bearing                     |
| 3        | 36343       | Bearing                      | 21       | 36433       | Armature, 115V              |
| 4        | 36348       | Gear Housing                 | 22       | 36438       | Armature, 230V              |
| 5        | 36353       | Housing Set                  | 23       | 36443       | Bearing                     |
| 6        | 36358       | Screw, M4 x 25               | 24       | 36448       | Field, 115V                 |
| 7        | 36363       | Screw, M4 x 41               | 25       | 36453       | Field, 230V                 |
| 8        | 36368       | Brush Wire Set               | 26       | 36458       | Lead Wire Set               |
| 9        | 36373       | Brush Set                    | 27       | 36463       | Screw                       |
| 10       | 36378       | Switch Lever                 | 28       | 36468       | Screw                       |
| 11       | 36383       | Switch 115V                  | 29       | 36473       | Cord Clamp                  |
|          | 38023       | Switch 230V                  |          | 36478       | Line Cord, 115V             |
| 12       | 36388       | Capacitor 230V               |          | 36483       | Line Cord, 230V (Europe)    |
| 13       | 36393       | Needle Bearing               |          | 40023       | Line Cord, 230V (Australia) |
| 14       | 36403       | Intermediate Gear            |          | 48168       | Strain Relief               |
| 15       | 36398       | Washer                       |          |             |                             |



**NOTE: Order parts by Catalog Number only.  
DO NOT order by Reference Number.**

| Ref. No. | Catalog No. | Description             | Ref. No. | Catalog No. | Description          |
|----------|-------------|-------------------------|----------|-------------|----------------------|
| 1        | 24163       | Nose Piece, Auto        | 17       | 24228       | Torsion Spring       |
| 2        | 24168       | Screw                   | 18       | 30138       | AUTOFEED Lever Cover |
| 3        | 24178       | Button Screw 5/16" - 18 | 19       | 24233       | Sleeve               |
| 4        | 92255       | Lockwasher              | 20       | 41512       | Spiral Ring          |
| 5        | 24183       | Hand Grip, Auto         | 21       | 24243       | Clamp Spring         |
| 6        | 24188       | Nose Piece, Manual      | 22       | 68942       | Clips                |
| 7        | 24193       | Retaining Ring          | 23       | 47252       | Gasket               |
| 8        | 41512       | Spiral Ring             | 24       | 24238       | Drum Front           |
| 9        | 24198       | Hand Grip, Manual       | 25       | 68917       | Drum Liner           |
| 10       | 24203       | Top Grip Cap            | 26       | 69542       | Screw 10-32 x 1      |
| 11       | 24208       | Pivot Pin               | 27       | 24249       | Caution Label        |
| 12       | 67997       | Roller Bearing          | 28       | 68932       | Drum Back            |
| 13       | 39830       | Socket HD Cap Screw     | 29       | 36503       | Warning Label        |
| 14       | 24213       | AUTOFEED Carriage       | 30       | 36498       | Drum Guard           |
| 15       | 24218       | Reverse Lever           | 31       | 36488       | Power Unit 115V      |
| 16       | 24223       | Forward Lever           |          | 36493       | Power Unit 230V      |