

Item# 1001-622-795/1000-857-793

Model# C041H/C041H.C

MFG CSA File# U3A2257H



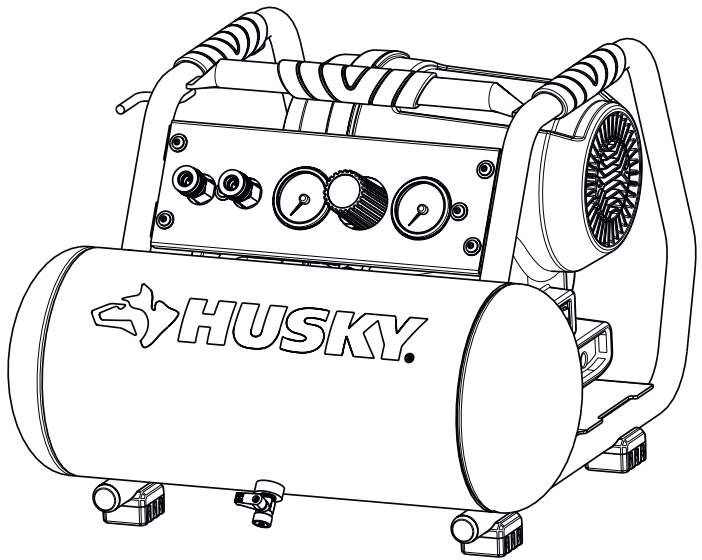
# USE AND CARE GUIDE

## 4 GALLON 225 PSI HIGH PERFORMANCE CREW COMPRESSOR

Questions, problems, missing parts?  
Before returning to the store, call  
Husky Customer Service  
8 a.m. - 6 p.m., EST, Monday - Friday

1-888-43-HUSKY

HUSKYTOOLS.COM



### THANK YOU

*We appreciate the trust and confidence you have placed in Husky through the purchase of this air compressor. We strive to continually create quality products designed to enhance your home. Visit us online to see our full line of products available for your home improvement needs. Thank you for choosing Husky!*

# Table of Contents

<b>Safety Information</b> .....	2	<b>System Components</b> .....	9
Work Area Safety .....	2	Placement of the Air Compressor .....	10
Personal Safety .....	3	Attaching the Hose .....	11
Moving the Compressor .....	3	<b>Operation</b> .....	12
Air Compressor and		<b>Maintenance</b> .....	16
Pneumatic Tool Safety .....	4	General Maintenance .....	16
Electrical Safety .....	5	Lubrication .....	16
<b>Warranty</b> .....	7	Cleaning the Air Filter .....	16
<b>Pre-Operation</b> .....	8	<b>Care and Cleaning</b> .....	16
Specifications .....	8	<b>Troubleshooting</b> .....	17
Duty Cycle .....	8	<b>Service Parts</b> .....	19
Package Contents .....	8		

## Safety Information

This manual contains information that is important for you to know and understand. This information relates to protecting your safety and preventing equipment problems. To help you recognize this information, we use the symbols below. Please read the manual and pay attention to these symbols.



**DANGER:** Indicates an imminently hazardous situation which, if not avoided, **will result in death or serious injury.**



**WARNING:** Indicates a potentially hazardous situation which, if not avoided, **could result in death or serious injury.**



**CAUTION:** Indicates a potentially hazardous situation which, if not avoided, **may result in minor or moderate injury.**



**NOTICE:** Indicates a practice not related to personal injury which, if not avoided, **may result in property damage.**

### WORK AREA SAFETY

- Keep your work area clean and well lit. Ensure floors are not slippery from wax or dust.
- Operate the air compressor in an open area at least 18 in. (0.5 m) away from any wall or object that could restrict the flow of fresh air to ventilation openings.



**WARNING:** Do not operate power tools in explosive atmospheres, such as in the presence of flammable liquids, gases, or dust. Power tools create sparks which may ignite the dust or fumes. Keep bystanders, children, and visitors away while operating tools. Distractions can cause you to lose control.



**WARNING:** This compressor is not equipped for, and should not be used to supply breathing air. Additional equipment would be necessary to properly filter and purify the air to meet minimal specifications for Grade D breathing as described in Compressed Gas Association Commodity, Specification G 7.1 - 1966, OSHA 29 CF9 1910.134. Compressed Gas Association, 4221 Walney Road, Fifth Floor, Chantilly, VA 20151-2923, (703) 788-2700, [www.cganet.com](http://www.cganet.com). Any such additional equipment has not been examined and no implication of proper use for breathing air is intended or implied.



**CAUTION:** Always disconnect the air supply and power supply before making adjustments, servicing a tool, or when a tool is not in use.

# Safety Information (continued)

## PERSONAL SAFETY

- Keep proper footing and balance at all times. Proper footing and balance enables better control of the tool in unexpected situations
- Do not use on a ladder or unstable support.



**WARNING:** Operating any power tool can result in foreign objects being thrown into your eyes, which can result in severe eye damage. Before beginning operation, always wear safety goggles, safety glasses with side shields, or a full face shield when needed. Always use eye protection marked to comply with ANSI Z87.1.



**WARNING:** This product contains chemicals known to the State of California to cause cancer and birth defects or other reproductive harm. Wash hands after handling.



**WARNING:** Use safety equipment. Always wear eye protection with side shields when operating power tools. A dusk mask, non-skid safety shoes, hard hat, or hearing protection must be used for appropriate conditions.



**WARNING:** Stay alert when operating a power tool. Do not use the tool while tired or under the influence of drugs, alcohol, or medication.



**WARNING:** Do not wear loose clothing or jewelry. Contain long hair. Keep your hair, clothing, and gloves away from moving parts. Loose clothes, jewelry, or long hair can be caught in moving parts.



**WARNING:** Never touch any exposed metal parts on compressor during or immediately after operation. The compressor will remain hot for several minutes after operation. Do not reach around protective shrouds or attempt maintenance until the unit has been allowed to cool.



**CAUTION:** The compressor is too heavy to be lifted by one person. Obtain assistance from others before lifting.

## MOVING THE AIR COMPRESSOR

- Grasp the handle.
- When the location is reached, slowly lower the compressor to the ground. Always store the compressor in a horizontal position resting on the rubber bumpers.
- When transporting the compressor in a vehicle, trailer, etc., make sure the tank is drained and the unit is secured with straps to prevent tipping. Use care when driving to prevent tipping the unit over in the vehicle. Damage can occur to the compressor or surrounding items if the compressor is tipped. Do not lift by the shroud.



**WARNING: WARNING:** Risk of unsafe operation. Ensure proper footing and use caution when carrying the compressor so that the unit does not cause loss of balance.

# Safety Information (continued)

## AIR COMPRESSOR AND PNEUMATIC TOOL SAFETY

- Keep compressors as far from the spraying area as possible: at least 15 ft. (0.4 m) from the spraying area and all explosive vapors.
- If connected to a circuit protected by fuses, use time-delay fuses with this product.
- Ensure the hose is free of obstructions or snags. Entangled or snarled hoses can cause loss of balance or footing, and may become damaged.
- Use the air compressor only for its intended use. Do not alter or modify the unit from the original design or function. Never weld or drill holes in the air tank.
- Never leave a tool unattended with the air hose attached.
- Do not operate this tool if it does not contain a legible warning label.
- Do not continue to use a tool or hose that leaks air or does not function properly.
- Do not attempt to pull or carry the air compressor by the hose.
- Your tool may require more air consumption than this air compressor is capable of providing.
- Never direct a jet of compressed air toward people or animals.
- Protect your lungs. Wear a face or dust mask if the operation is dusty.
- Do not use this air compressor to spray chemicals. Your lungs can be damaged by inhaling toxic fumes. A respirator may be necessary in dusty environments or when spraying paint.
- This compressor is equipped with a thermal overload protector which will shut off the motor if it becomes overheated.



**WARNING:** Do not attempt to modify this tool or create accessories not recommended for use with this tool. Any such alteration or modification is misuse and could result in a hazardous condition leading to possible serious personal injury.



**CAUTION:** Do not use the compressor in an environment that is dusty or otherwise contaminated. Using the air compressor in this type of environment may cause damage to the unit.



**CAUTION:** Risk of bursting. Do not adjust the regulator to result in output pressure greater than the marked maximum pressure of the attachment. Do not use at pressure greater than the rated maximum pressure of this compressor.



**CAUTION:** To reduce the risk of electric shock, do not expose the compressor to rain. Store indoors.

# Safety Information (continued)

## ELECTRICAL SAFETY (EXTENSION CORDS)

- Use only 3-wire extension cords that have 3-prong grounding plugs and 3-pole receptacles that accept the product's plug. When using a power tool at a considerable distance from the power source, use an extension cord heavy enough to carry the current that the product will draw. An undersized extension cord will cause a drop in line voltage, resulting in a loss of power and causing the motor to overheat.
- Use the chart provided below to determine the minimum wire size required in an extension cord. Only round jacketed cords listed by Underwriter's Laboratories (UL) should be used.
- Only use 50 feet or less, round jacketed cords listed by Underwriter's Laboratories (UL).
- When operating a power tool outside, use an outdoor extension cord marked "W-A" or "W". These cords are rated for outdoor use and reduce the risk of electric shock.

Ampere rating (on air compressor data plate)	
	14-16
Cord Length	Wire Size (AWG)
25 ft.	16
50 ft.	12

Used on 12 gauge - 20 amp circuit.  
NOTE: AWG=American Wire Gauge



**WARNING:** When using an extension cord, keep it clear of the working area. Position the cord so that it will not get caught on lumber, tools, or other obstructions while you are working with a power tool. Failure to do so can result in serious personal injury.



**WARNING:** Check extension cords before each use. If damaged, replace immediately. Never use the air compressor with a damaged cord since touching the damaged area could cause electrical shock resulting in serious personal injury.



**WARNING:** Improperly connecting the equipment-grounding conductor can result in a risk of electrical shock.



**CAUTION:** Avoid body contact with grounded surfaces such as pipes, radiators, ranges, and refrigerators. There is an increased risk of electric shock if your body is grounded.



**CAUTION:** Do not expose power tools to rain or wet conditions. Water entering a power tool will increase the risk of electric shock.



**CAUTION:** Replace damaged cords/wiring immediately. Damaged cords/wiring increase the risk of electric shock.

**NOTICE:** Use longer air hoses instead of long extension cords. Your air compressor will run better and last longer.

## ELECTRICAL SAFETY (ELECTRICAL CONNECTION)

- This air compressor is powered by a precision built electric motor. It should be connected to a power supply that is 120 volts, 60 Hz, AC only (normal household current).
- Do not operate this tool on direct current (DC). A substantial voltage drop will cause a loss of power and the motor will overheat. If the air compressor does not operate when plugged into an outlet, double check the power supply.

# Safety Information (continued)

## ELECTRICAL SAFETY (SPEED AND WIRING)

- The no-load speed of this product is approximately 1,700 rpm. This speed is not constant and decreases under a load or with lower voltage.
- For voltage, the wiring in a shop is as important as the motor's horsepower rating. A line intended only for lights cannot properly carry a power tool motor. Wire that is heavy enough for a short distance will be too light for a greater distance. A line that can support one power tool may not be able to support two or three products.

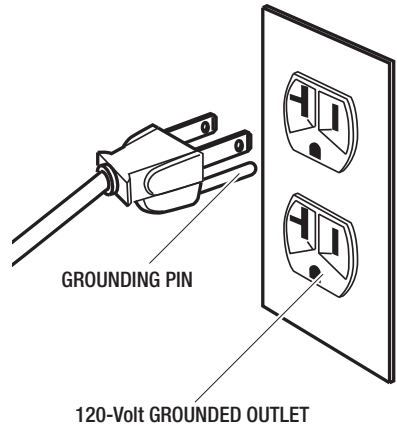
## ELECTRICAL SAFETY (GROUNDING INSTRUCTIONS)

- This product must be grounded. In the event of an electrical short circuit, grounding reduces the risk of electric shock by providing an escape wire for the electric current. This product is equipped with a cord having a grounding wire with an appropriate grounding plug. The plug must be plugged into an outlet that is properly installed and grounded in accordance with all local codes and ordinances.



**WARNING:** Improper installation of the grounding plug may result in a risk of electric shock. When repair or replacement of the cord or plug is required, do not connect the grounding wire to either flat blade terminal. The wire with insulation having an outer surface that is green with or without yellow stripes is the grounding wire.

- Substitution of the word "DANGER" for "WARNING" is not prohibited when the risk associated with the product is such that a situation exists which if not avoided will result in death or serious injury.
- Check with a qualified electrician or service personnel if these instructions are not completely understood or if in doubt as to whether the tool is properly grounded.
- Do not modify the plug provided; if it will not fit the outlet, have the proper outlet installed by a qualified electrician.
- This product is for use on a nominal 120-Volt circuit and has a grounding plug similar to the plug shown. Only connect the product to an outlet having the same configuration as the plug. Do not use an adapter with this product.



## LIMITED WARRANTY

### WHAT IS COVERED

The manufacturer warrants to the original retail purchaser that this product is free from defect in material and workmanship and agrees to repair or replace, at the manufacturer's discretion, any defective product free of charge within these time periods from the date of purchase.

This warranty is valid for 3 years.

This warranty extends to the original retail purchaser only and commences on the date of the original retail purchase.

Any part of the product manufactured or supplied by the manufacturer and found in the reasonable judgment of the manufacturer to be defective in material or workmanship will be repaired or replaced by an authorized service dealer without charge for parts and labor.

The product, including any defective part, must be returned to an authorized service dealer within the warranty period. The expense of delivering the manufacturer's product to the dealer for warranty work and the expense of returning it back to the owner after repair or replacement will be paid by the owner. The manufacturer's responsibility in respect to claims is limited to making the required repairs or replacements and no claim of breach of warranty shall be cause for cancellation or rescission of the contract of sale of any of the manufacturer's product. Proof of purchase will be required by the dealer to substantiate any warranty claim. All warranty work must be performed by an authorized service dealer.

### WHAT IS NOT COVERED

This warranty does not cover any of the manufacturer's product that has been subject to misuse, neglect, negligence, accident, or that has been operated in any way contrary to the operating instructions as specified in this manual. This warranty does not apply to any damage to the manufacturer's product that is the result of improper maintenance or to any manufacturer's product that has been altered or modified. The warranty does not extend to repairs made necessary by normal wear or by the use of parts or accessories which are either incompatible with the manufacturer's product or adversely affect its operation, performance, or durability.

The manufacturer reserves the right to change or improve the design of any product without assuming any obligation to modify any product previously manufactured. All implied warranties are limited in duration to the stated warranty period. Accordingly, any such implied warranties including merchantability, fitness for a particular purpose, or otherwise, are disclaimed in their entirety after the expiration of the appropriate warranty period. The manufacturer's obligation under this warranty is strictly and exclusively limited to the repair or replacement of defective parts and the manufacturer does not assume or authorize anyone to assume for it any other obligation. Some states do not allow limitations on how long an implied warranty lasts, so the above limitation may not apply to you. The manufacturer assumes no responsibility for incidental, consequential, or other damages including, but not limited to, expense of returning the manufacturer's product to an authorized service dealer and expense of delivering it back to the owner, mechanic's travel time, telephone or telegram charges, rental of a like product during the time warranty service is being performed, travel, loss or damage to personal property, loss of revenue, loss of use of the product, loss of time, or inconvenience. Some states do not allow the exclusion or limitation of incidental or consequential damages, so the above limitation or exclusion may not apply to you.

This warranty gives you specific legal rights, and you may also have other rights which vary from state to state.

Contact the Customer Service Team at 1-888-43-HUSKY or visit [www.huskytools.com](http://www.huskytools.com).

# Pre-Operation

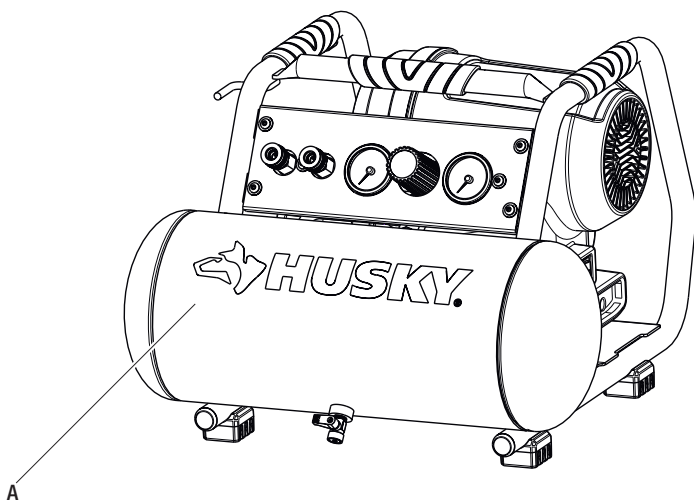
## SPECIFICATIONS

Running horsepower	1.7 HP
Air tank capacity	4 gallons
Air pressure	225 psi max
Air delivery	6.8 SCFM at 40 psi 5.1 SCFM at 90 psi
Tank Fill-up time	1.75 minutes
Cut-in pressure	175 psi
Cut-out pressure	225 psi
Lubrication	Oil free
Input	120V, 60 Hz, Single phase AC only, 15 Amps
Minimum branch circuit requirement	15 A
Fuse type	Time delay
Net weight	55 lbs

## DUTY CYCLE

This air compressor pump is capable of running continuously. However, to prolong the life of your air compressor, it is recommended that a 50% average duty cycle be maintained; that is, the air compressor pump should not run more than 30 minutes in any given hour.

## PACKAGE CONTENTS

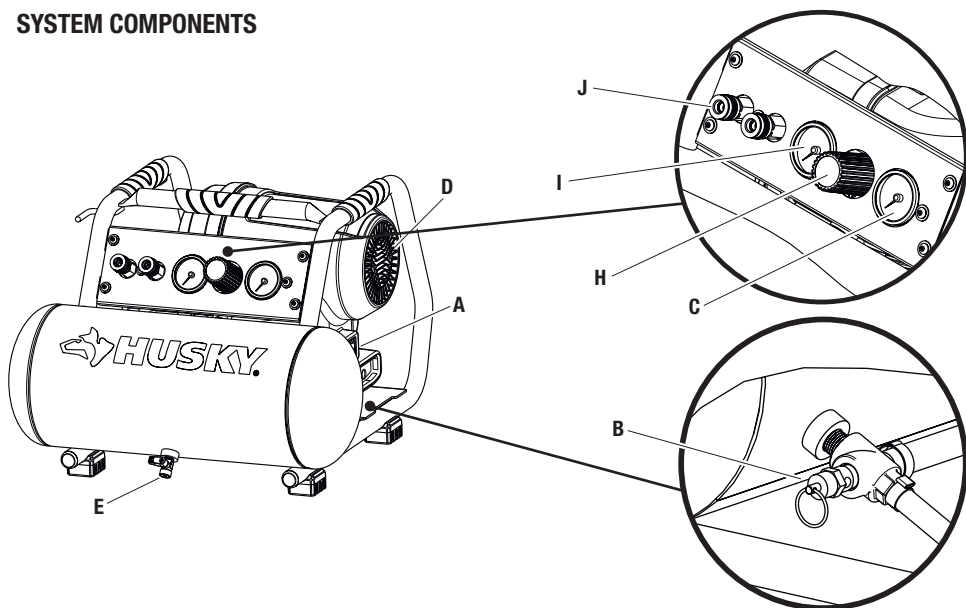


Part	Description	Quantity
A	Air Compressor Unit (fully assembled)	1



# Pre-Operation (continued)

## SYSTEM COMPONENTS



Part	Description
A	<b>ON ( I )/OFF ( 0 ) Switch:</b> Turn this switch in the “ON ( I )” position to provide automatic power to the pressure switch and “OFF ( 0 )” to remove power at the end of each use.
B	<b>Safety Valve:</b> If the pressure switch does not shut off the air compressor at its “cut-out” pressure setting, the safety valve will protect against high pressure by “popping out” at its factory set pressure (slightly higher than the pressure switch “cut-out” setting).
C	<b>Tank Pressure Gauge:</b> The tank pressure gauge indicates the reserve air pressure in the tank.
D	<b>Air Compressor Pump:</b> Compresses air into the air tank. Working air is not available until the compressor has raised the air tank pressure above that required at the air outlet.
E	<b>Drain Valve:</b> The drain valve is located at the base of the air tank and is used to drain condensation at the end of each use.
F	<b>Check Valve: (not shown)</b> When the air compressor is operating, the check valve is “open”, allowing compressed air to enter the air tank. When the air compressor reaches “cut-out” pressure, the check valve “closes”, allowing air pressure to remain inside the air tank.
G	<b>Thermal Overload Reset: (not shown)</b> This motor has a manual thermal overload protector. If the motor overheats for any reason, the overload protector will shut off the motor. The motor must be allowed to cool down before restarting. To restart: <ol style="list-style-type: none"> <li>1. Place the ON/OFF switch in the “OFF” (0) position.</li> <li>2. Unplug the air compressor and wait until the compressor cools down.</li> <li>3. Plug the air compressor into an approved outlet.</li> <li>4. Place the ON/OFF switch in the “ON” (I) position to restart the motor.</li> </ol>
H	<b>Regulator:</b> Valve used to ensure that the tank pressure never reaches unsafe levels. It also allows the user to adjust the pressure coming out of the tank to match what is needed for the task.
I	<b>Pressure Regulator Gauge:</b> The gauge that indicates the amount of pressure that the regulator is providing to the tool.
J	<b>Quick Connects:</b> Fittings that are designed to accept a hose that allows pressure to be released for tool usage.

# Pre-Operation (continued)

## PLACEMENT OF THE AIR COMPRESSOR



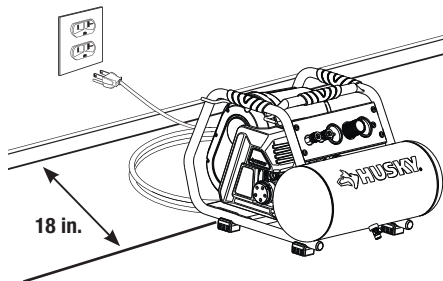
**WARNING:** If any parts are damaged or missing do not operate this product until the parts are replaced. Failure to heed this warning could result in serious personal injury.



**CAUTION:** Do not use in an environment that is dusty or otherwise contaminated. Using the air compressor in this type of environment may cause damage to the unit.

**NOTICE:** Long lengths of electrical wiring could cause power loss to the motor.

- Place the air compressor in a clean, dry, and well ventilated area.
- The air compressor must be positioned at least 18 in. (0.5 m) away from the wall or other obstructions that will interfere with the flow of air.
- Locate the air compressor as close to the main power supply as possible to avoid using long lengths of electrical wiring.
- The air filter must be kept clear of obstructions which could reduce the air flow to the air compressor.



# Pre-Operation (continued)

## ATTACHING THE HOSE



**WARNING:** Do not attempt to modify this product or create accessories not recommended for use with this product. Any such alteration or modification is misuse and could result in a hazardous condition leading to possible serious personal injury.



**WARNING:** Do not attach air chuck or other tool to the open end of the hose until start-up has been completed.



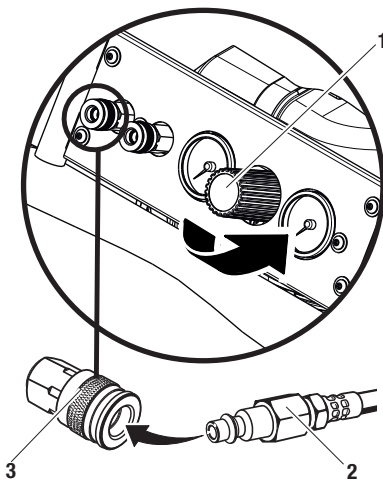
**WARNING:** Do not allow familiarity with products to make you careless. Remember that a careless fraction of a second is sufficient to inflict serious injury.



**WARNING:** Always wear safety goggles or safety glasses with side shields when operating power tools. Failure to do so could result in objects being thrown into your eyes resulting in possible serious injury.

The compressor is assembled at the factory and ready for use. Check all components to ensure secure assembly. (such as: rubber feet, wheels, handle, quick connects, gages, safety valve, air filter, drain valve, etc.)

- Make sure the power to the air compressor is disconnected.
- Apply thread tape to the threaded connections of the hose (not included), and attach the quick coupler to the hose using a wrench (not included).
- Apply the thread tape to the threaded connections of the male plug, and attach the male plug to the hose using a wrench.
- Rotate the pressure regulator knob (1) fully counterclockwise.
- Insert the hose adapter end of the air hose (2) into the female coupler end in the air compressor (3).



## 1 Preparing for start-up



**WARNING:** Risk of unsafe operation. Firmly grasp air hose in hand when installing or disconnecting to prevent hose whip.



**WARNING:** Risk of unsafe operation. Do not use damaged or worn accessories.



**WARNING:** Risk of bursting. Too much air pressure causes a hazardous risk of bursting. Check the manufacturer's maximum pressure rating for air tools and accessories. The regulator outlet pressure must never exceed the maximum pressure rating.

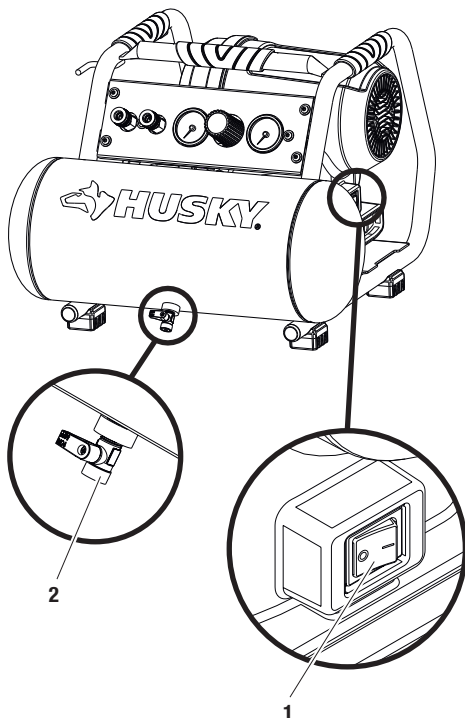


**CAUTION:** Risk of unsafe operation. Compressed air from the unit may contain water condensation and oil mist. Do not spray unfiltered air at an item that could be damaged by moisture. Some air tools and accessories may require filtered air. Read the instructions for the air tools and accessories.



**NOTE:** A regulator **MUST** be installed when using accessories rated at less than 150 psi. The hose or accessory will require a quick connect plug if the air outlet is equipped with a quick connect socket.

- Place the ON (1) / OFF (0) switch (1) to the off position.
- Close the drain valve (2).
- Visually inspect air lines and fittings for leaks.



## 2 Starting the compressor

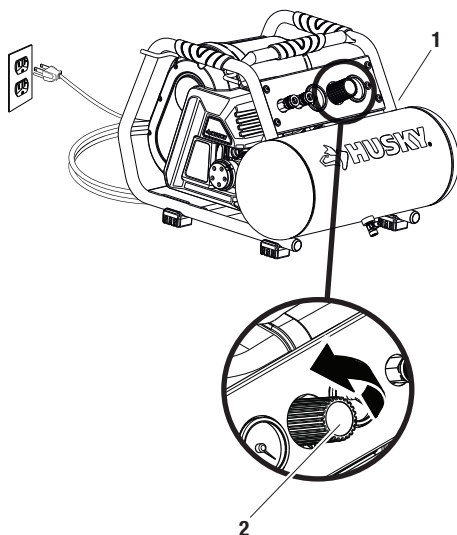


**WARNING:** Risk of bursting. If any unusual noise or vibration is noticed, stop the air compressor immediately and have it checked by a trained service technician.



**NOTE:** When using regulator and other accessories refer to the manufacturers instructions.

- Plug the power cord into a proper receptacle.
- Turn the ON (1) / OFF (0) switch (1) to the on position, and allow the tank pressure to build. The motor will stop when the tank pressure reaches “cut-out” pressure.
- Adjust the regulator (2) to a psi setting that is needed for your application - be sure it is within the safety standards required to perform the task.



## 3 Checking the safety valve

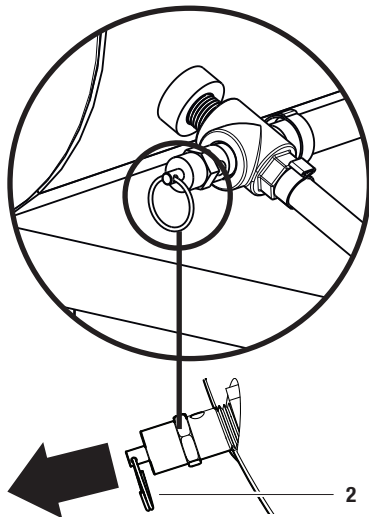
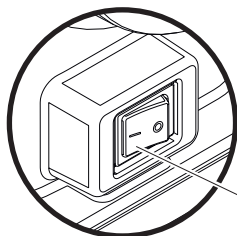


**DANGER:** Do not tamper with the safety valve. Items loosened from this device could fly up and hit you. Failure to heed this warning could result in death or serious personal injury. The safety valve automatically releases air when the receiver pressure exceeds the preset maximum. Check the valve before each day of use by pulling the ring by hand.



**WARNING:** If air leaks after releasing the safety valve ring or if the valve is stuck, do not use the air compressor until the safety valve has been replaced. Using the air compressor in this condition could result in serious personal injury.

- Set the ON (1) / OFF (0) switch (1) to the on position, and wait for the tank to fill. The compressor automatically shuts off when the pressure reaches the preset maximum.
- Set the ON (1) / OFF (0) switch (1) to the off position.
- Pull the ring on the safety valve (2) for 20 seconds to release the air.
- Release the ring. Air stops escaping at about 20 psi. If air continues to escape after releasing the safety valve ring, discontinue use and seek service before using the air compressor again.



# 4 Running the air compressor



**WARNING:** Always ensure the switch is in the OFF position and regulator pressure gauge reads zero before changing air tools or disconnecting the hose from the air outlet. Failure to do so could result in possible serious personal injury.

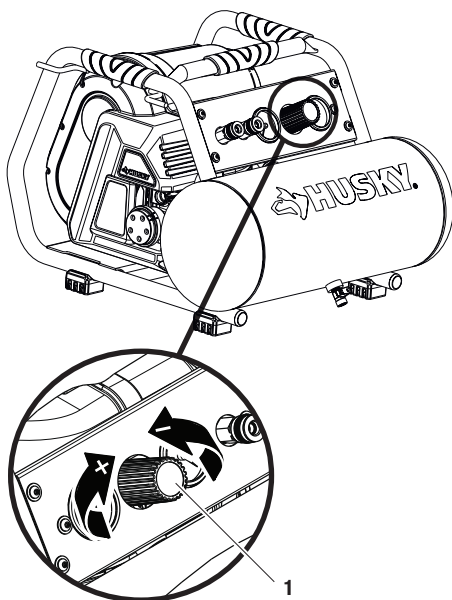


**WARNING:** Your tool may require more air consumption than this air compressor is capable of providing. Check tool manual to avoid damage to the tool or risk personal injury.



**NOTE:** Always use the minimum amount of air flow with the pressure regulator knob. Using a higher pressure than needed will drain air from the tank more rapidly and cause the unit to cycle on more frequently.

- Rotate the pressure regulator knob (1) to the desired line pressure. Turning the knob clockwise (+) increases air pressure at the outlet; turning counterclockwise (-) reduces air pressure at the outlet.
- If using an inflation accessory, control the amount of air flow with the pressure regulator knob (1). Turning the knob fully counterclockwise will completely stop the flow of air.
- When finished, always drain the tank and unplug the unit. Never leave the unit plugged in and/or running unattended.



# 5 Draining the tank



**WARNING:** Risk of unsafe operation. Air tanks contain high pressure air. Keep face and other body parts away from outlet of drain. Use eye protection [ANSI Z87.1 (CAN/CSA Z94.3)] when draining as debris can be kicked up into face.



**WARNING:** Risk from noise. Use ear protection (ANSI S12.6 (S3.19) as air flow noise is loud when draining.



**WARNING:** Risk of bursting. Water will condense in the air tank. If not drained, water will corrode and weaken the air tank causing a risk of air tank rupture.



**NOTE:** All compressed air systems generate condensate that accumulates in any drain point (e.g., tanks, filter, after-coolers, dryers). This condensate contains lubricating oil and/or substances which may be regulated and must be disposed of in accordance with local, state, and federal laws and regulations.

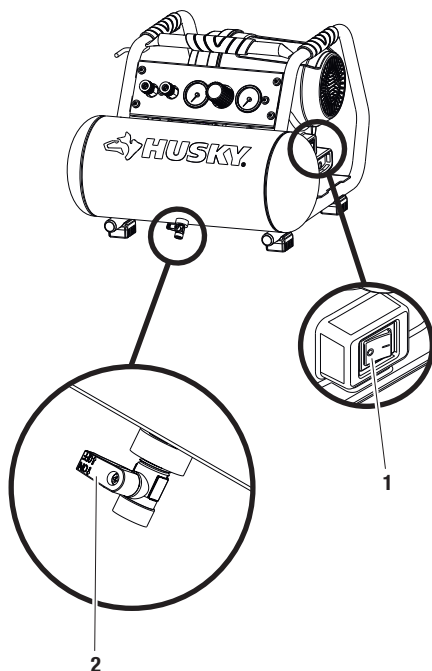


**NOTE:** If drain valve is plugged, release all air pressure. The valve can then be removed, cleaned, then reinstalled.



**NOTE:** Risk of property damage. Drain water from air tank may contain oil and rust which can cause stains.

- Set the ON (1) / OFF (0) switch (1) to the off position.
- Slowly bleed the air from the compressor tank by pulling the safety valve to allow the pressure to escape from the tank until the pressure is approximately 20 psi.
- Drain water from the tank by opening the drain valve (2) on the bottom of the tank.
- After the water has been drained, close the drain valve (2). The air compressor can now be stored.



# Maintenance

## GENERAL MAINTENANCE

- Condensate forms in the tank when there is humidity in the air. Depending on the environmental conditions, drain the condensate daily and/or every hour. For instructions, see *Draining the tank* on page 15.
- The safety valve automatically releases air when the receiver pressure exceeds the preset maximum.
- Inspect the tank annually for rust, pin holes, or other imperfections that could cause it to become unsafe.
- Avoid using solvents when cleaning plastic parts. Most plastics are susceptible to damage from various types of commercial solvents and may be damaged by their use.
- Use clean cloths to remove dirt, dust, oil, grease, etc.
- Any service, other than general maintenance, should be performed by an authorized service representative.



**WARNING:** When servicing, use only identical Husky replacement parts. Use of any other parts may create a hazard or cause product damage.



**WARNING:** Always release all pressure, disconnect from power supply, and allow unit to cool to the touch before cleaning or making repairs on the air compressor.



**WARNING:** Do not at any time let brake fluids, gasoline, petroleum-based products, penetrating oils, etc., come in contact with plastic parts. Chemicals can damage, weaken or destroy plastic which may result in serious personal injury. Electric tools used on fiberglass material, wallboard, spackling compounds, or plaster are subject to accelerated wear and possible premature failure because the fiberglass chips and grindings are highly abrasive to bearings, brushes, commutators, etc. Consequently, we do not recommend using this tool for extended work on these types of materials. However, if you do work with any of these materials, it is extremely important to clean the tool using compressed air.

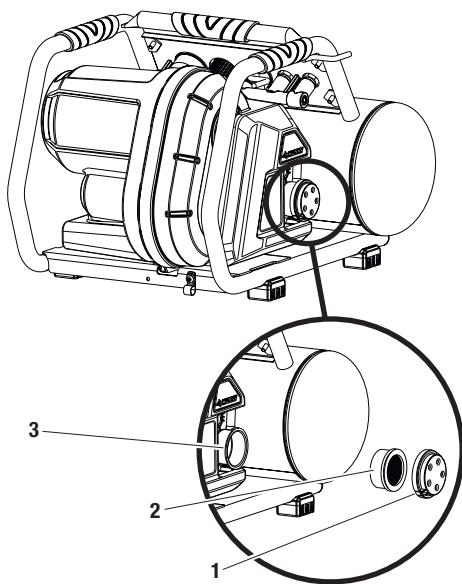
## LUBRICATION

All of the bearings in this tool are lubricated with a sufficient amount of high grade lubricant for the life of the unit under normal operating conditions. Therefore, no further lubrication of the bearings is required.

## CLEANING THE AIR FILTER

From time to time, the air filter needs to be removed and cleaned.

- Turn the air compressor OFF ( 0 ).
- Unplug the air compressor.
- Unsnap the air filter cover (1) to remove.
- Remove the air filter (2) from the air filter housing (3).
- Blow compressed air through the air filter for 10-15 seconds.



## Care and Cleaning

- Drain the air tank of moisture after operation.
- When not in use, store the compressor in a cool, dry place.
- Disconnect the air hose and hang open ends down to allow any moisture to drain.
- Protect the electrical cord and air hose from damage (such as being stepped on or run over). Wind them loosely around the compressor handle.



# Troubleshooting

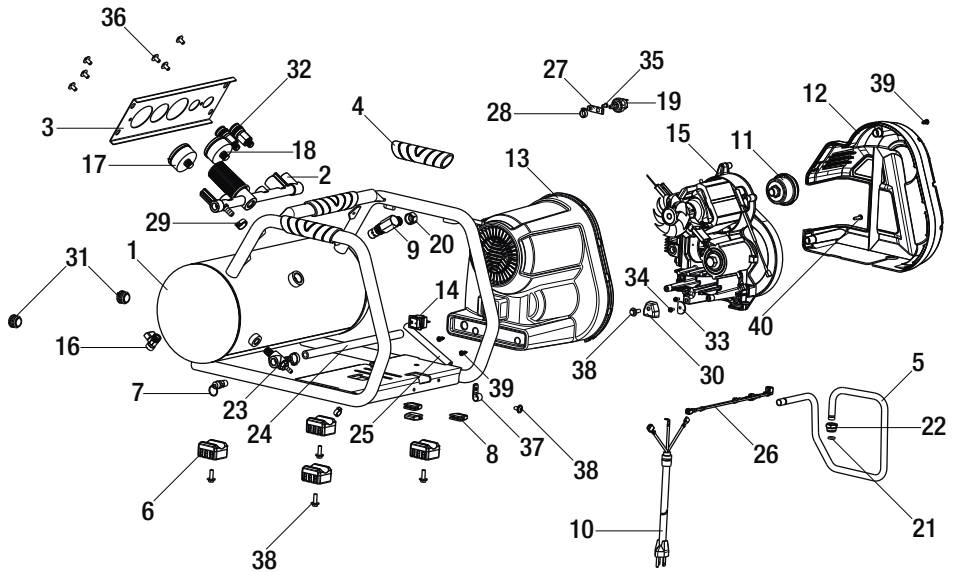
Problem	Possible Cause	Solution
The compressor does not run.	<input type="checkbox"/> There is a loss of power or the motor is overheated.	<input type="checkbox"/> Check for proper use of extension cord.
	<input type="checkbox"/> There is no power to the unit.	<input type="checkbox"/> Check to be sure the unit is plugged in.
	<input type="checkbox"/> The circuit breaker has tripped or a fuse has blown at the main power source.	<input type="checkbox"/> Check the fuse/breaker.
	<input type="checkbox"/> The thermal overload protector is actuated.	<input type="checkbox"/> Turn the air compressor OFF ( 0 ).
		<input type="checkbox"/> Unplug air compressor and wait until compressor cools down.
		<input type="checkbox"/> Plug the air compressor into an approved outlet.
	<input type="checkbox"/> Turn the air compressor ON ( 1 ).	
<input type="checkbox"/> The pressure switch is bad.	<input type="checkbox"/> Bring the compressor to a service center.	
<input type="checkbox"/> The compressor has reached automatic shutoff pressure.	<input type="checkbox"/> Release the air from the tank until the compressor restarts automatically.	
The motor hums while running slowly, or it doesn't run at all.	<input type="checkbox"/> There is low voltage from the power source.	<input type="checkbox"/> Call an electrician.
	<input type="checkbox"/> The wrong gauge wire or length of extension cord is being used.	<input type="checkbox"/> Check for proper gauge wire and cord length.
	<input type="checkbox"/> There is a shorted or open motor wiring.	<input type="checkbox"/> Bring the compressor to a service center.
	<input type="checkbox"/> There is a defective check valve or unloader.	<input type="checkbox"/> Bring the compressor to a service center.

## Troubleshooting (continued)

The fuses blow or circuit breaker trips repeatedly.	<input type="checkbox"/> The incorrect fuse type is being used.	<input type="checkbox"/> Check for the proper fuse. <input type="checkbox"/> Use a time-delay fuse. Disconnect other electrical appliances from the circuit or operate the compressor on its own branch circuit.
	<input type="checkbox"/> The wrong gauge wire or length of extension cord is used.	<input type="checkbox"/> Check for the proper gauge wire and cord length.
	<input type="checkbox"/> There is a defective check valve or unloader.	<input type="checkbox"/> Bring the compressor to a service center.
<b>Problem</b>	<b>Possible Cause</b>	<b>Solution</b>
The thermal overload protector cuts out repeatedly.	<input type="checkbox"/> There is low voltage from the power source.	<input type="checkbox"/> Call an electrician.
	<input type="checkbox"/> There is a lack of proper ventilation, or the room temperature is too high.	<input type="checkbox"/> Move the compressor to a well-ventilated area.
	<input type="checkbox"/> The wrong gauge wire or length of extension cord is being used.	<input type="checkbox"/> Check for proper gauge wire and cord length.
The air receiver pressure drops when the compressor shuts off.	<input type="checkbox"/> The connections (fittings, tubing, etc.) are loose and leaking.	<input type="checkbox"/> Check all connections with a soap and water solution and tighten.
	<input type="checkbox"/> The drain valve is loose or open.	<input type="checkbox"/> Tighten the drain valve.
	<input type="checkbox"/> The check valve is leaking.	<input type="checkbox"/> Bring the compressor to a service center.
There is excessive moisture in the discharge air.	<input type="checkbox"/> There is excessive water in the air tank.	<input type="checkbox"/> Drain the tank.
	<input type="checkbox"/> The compressor is working under a high humidity environment.	<input type="checkbox"/> Move the compressor to an area of less humidity; use an air line filter.
The compressor continuously runs.	<input type="checkbox"/> The pressure switch is defective.	<input type="checkbox"/> Bring the compressor to a service center.
	<input type="checkbox"/> An excessive amount of air is being used.	<input type="checkbox"/> Decrease the air usage; the compressor is not large enough for the tool's requirement.
The air output is lower than normal.	<input type="checkbox"/> The inlet valves are broken.	<input type="checkbox"/> Bring the compressor to a service center.
	<input type="checkbox"/> The connections (fittings, tubing, etc.) are loose and leaking.	<input type="checkbox"/> Tighten the connections.

# Service Parts

## C041H/C041H.C, AIR COMPRESSOR



## Service Parts (continued)

### C041H/C041H.C, AIR COMPRESSOR

Item Number	Description	Part Number
1	Tank 4G, Painted	E109310
2	Regulator Manifold Body	E109319
3	Regulator Manifold Panel	E109308
4	Handle Grip	E109314
5	Outlet Tube	E109309
6	Isolator, Set of 4	E109475
7	Safety Valve	E107851
8	Pump Isolator, Set of 3	E106622
9	Check Valve	E106653
10	Power Cord	E106629
11	Filter Assembly	E106632
12	Shroud Left	E109316
13	Shroud Right	E109317
14	Rocker Switch	E106633
15	Pump	E109720
16	Drain Valve	E106916
17	Gauge (Tank)	E107854
18	Gauge (Regulator)	E107855
19	Pressure Switch	E107852
20	Assy Nut Sleeve 1/2 in.	E106641
21	O-Ring	E106624
22	Nut	E106623
23	Manifold	E109322
24	Hose 3/8 in.	E109320
25	Hose 1/4 in.	E109323
26	Assy Wire Jumper	E109575
27	Bracket	E106634
28	Hose Clamp 1/4 in., Set of 2	E106648
29	Hose Clamp 3/8 in., Set of 2	E109321
30	Cup	E106625
31	Cap Plug, Set of 2	E109473
32	Quick Connect	E107334
33	Washer	E106657
34	Screw #8 x .375 mm Self Tapping, Set of 2	E106643

## Service Parts (continued)

### C041H/C041H.C, AIR COMPRESSOR

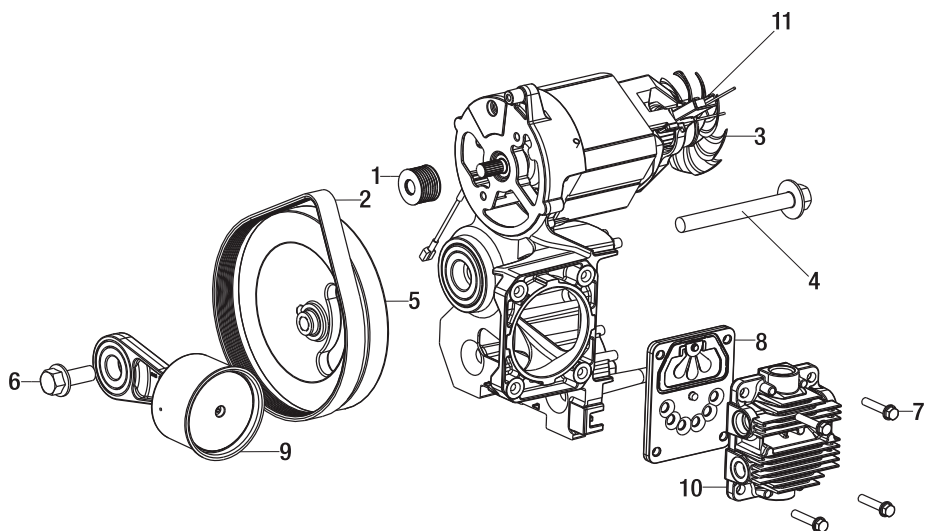
Item Number	Description	Part Number
35	Screw #8-16 x .375 mm Plastite	E106638
36	Screw .250-20 X .50 mm	E109129
37	Power Cord Holder	E109472
38	Screw .250-20 X .75 mm	E106611
39	Screw 10-24 X .563 mm	E106614
40	Screw 10-14 T20	E106646
41	Label Warning Drain Tank	E109313
42	Label Warning	E109311
43	Label Hot Surface	E109471



**NOTE:** Any part number field without a number listed is not available. Descriptions are provided for reference only.

# Service Parts (continued)

## PUMP/MOTOR ASSEMBLY



Item Number	Description	Part Number
1	Pulley	E106663
2	Belt	E106664
3	Fan	E106665
4	Screw	E106666
5	Flywheel	E106667
6	Screw	E106668
7	Screw, kit of 4	E106669
8	Valve Plate Kit	E106670
9	Conrod Kit	E106671
10	Head	E109721
11	Brush Kit	E109432



Questions, problems, missing parts? Before returning to the store call  
Husky Customer Service  
8 a.m. - 6 p.m., EST, Monday-Friday

**1-888-43-HUSKY**

**HUSKYTOOLS.COM**

Retain this manual for future use.

Document Number: E109779

03/15/2016

Article # 1001-622-795/1000-857-793

Modèle # C041H/C041H.C

Fabricant - REF CSA # U3A2257H



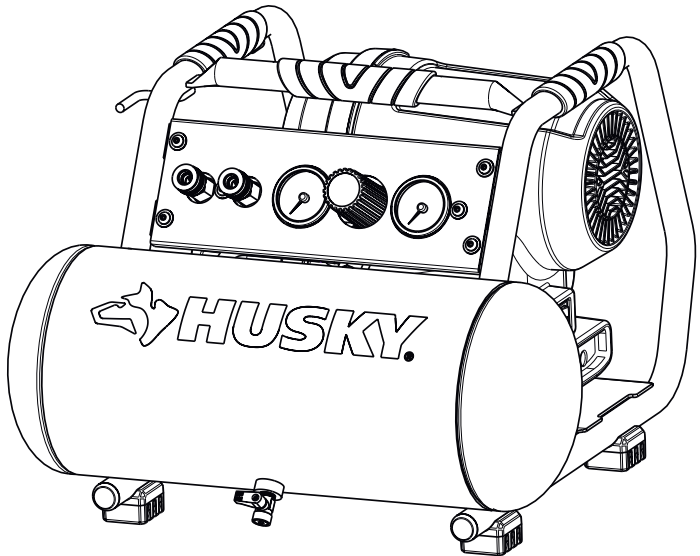
# GUIDE D'UTILISATION ET D'ENTRETIEN

## COMPRESSEUR D'EQUIPE - HAUT RENDEMENT - 15,1 LITRES - 225 PSI

Questions, problèmes, pièces manquantes?  
Avant de retourner ce produit au magasin,  
appeler le Service clientèle de Husky entre  
8h et 18h, Heure de l'Est, du lundi au vendredi.

1-888-43-HUSKY

HUSKYTOOLS.COM



### MERCI

*Nous apprécions la confiance que vous faites à Husky en achetant ce compresseur d'air.  
Nous nous efforçons continuellement de créer des produits de qualité conçus pour améliorer votre résidence.  
Rendez-nous visite en ligne pour voir notre gamme complète de produits disponibles pour répondre à vos besoins  
d'amélioration de votre résidence. Merci d'avoir choisi Husky!*



# Table des matières

Informations relatives à la sécurité.....2	Contenu de la boîte.....8
Sécurité sur le lieu de travail.....2	Composants du système.....9
Sécurité personnelle.....3	Placement du compresseur d'air.....10
Déplacement du compresseur.....3	Fixation du tuyau flexible.....11
Consignes de sécurité pour les compresseurs d'air et les outils pneumatiques.....4	<b>Fonctionnement.....12</b>
Sécurité électrique.....5	<b>Maintenance.....16</b>
<b>Garantie.....7</b>	Entretien Général.....17
<b>Avant la mise en marche.....8</b>	Lubrification.....17
Spécifications.....8	Nettoyage du filtre à air.....17
Cycle de fonctionnement.....8	<b>Entretien et nettoyage.....18</b>
	<b>Diagnostic de défaillance.....18</b>
	<b>Pièces de rechange.....21</b>

## Informations sur la sécurité

Ce manuel contient des informations qu'il est important que vous connaissiez et compreniez. Ces informations portent sur la protection de votre sécurité et la prévention de problèmes pouvant affecter vos équipements. Pour vous aider à reconnaître ces informations, nous utilisons les symboles ci-dessous. Veuillez lire le mode d'emploi et faire attention à ces symboles.



**DANGER** : Indique une situation dangereuse imminente qui, si elle n'est pas évitée, causerait la mort ou des blessures graves.



**AVERTISSEMENT** : Indique une situation potentiellement dangereuse qui, si elle n'est pas évitée, pourrait causer la mort ou des blessures graves.



**MISE EN GARDE** : Indique une situation potentiellement dangereuse qui, si elle n'est pas évitée, pourrait causer des blessures mineures ou modérées.



**AVIS** : Indique une pratique sans rapport avec des blessures personnelles qui, si elle n'est pas évitée, pourrait causer des dommages aux biens.

## SÉCURITÉ SUR LE LIEU DE TRAVAIL

- Maintenez votre zone de travail propre et bien éclairée. Assurez-vous que le sol n'est pas glissant à cause de la présence de poussière ou d'encastique.
- Utilisez le compresseur d'air dans une zone ouverte à au moins 18 po (50 cm) de distance de tout mur ou objet pouvant réduire l'arrivée d'air dans les ouvertures de ventilation.



**AVERTISSEMENT** : Ce compresseur n'est pas équipé pour fournir de ventilation de l'air ambiant, et il ne doit pas être utilisé pour cela. Des équipements supplémentaires seraient nécessaires pour filtrer et purifier l'air de façon appropriée afin de répondre aux normes de qualité d'air ambiant de grade D, conformément à ce qui est décrit dans la norme Compressed Gas Association Commodity Specification G 7.1 - 1966, OSHA 29 CFR 1910.134. Compressed Gas Association, 4221 Walney Road, Fifth Floor, Chantilly, VA 20151-2923, (703) 788-2700, [www.cganet.com](http://www.cganet.com). De tels équipements additionnels n'ont pas été examinés, et aucune implication d'utilisation appropriée pour la ventilation de l'air ambiant n'est spécifiée, même implicitement.



**MISE EN GARDE** : Déconnectez toujours l'alimentation en air et l'alimentation électrique avant de faire des réglages ou d'effectuer des opérations d'entretien, ou quand l'outil n'est pas utilisé.



**AVERTISSEMENT** : N'utilisez pas d'outils électriques dans des atmosphères explosives, comme en présence de liquides, gaz ou poussières inflammables. Les outils électriques produisent des étincelles qui risqueraient de mettre feu à la poussière ou aux vapeurs. Maintenez les observateurs, enfants et visiteurs à une distance suffisante pendant que vous utilisez cet outil. Les distractions pourraient vous faire perdre le contrôle de l'outil.

# Informations sur la sécurité (suite)

## SÉCURITÉ PERSONNELLE

- Soyez bien équilibré et stable sur vos pieds à tous moments. La stabilité et l'équilibre vous permettent de mieux contrôler votre outil en cas de circonstances inattendues.
- Ne travaillez pas sur des échelles ou d'autres supports instables.



**AVERTISSEMENT** : l'utilisation de tout outil électrique peut avoir pour effet la projection de corps étrangers dans vos yeux, ce qui pourrait causer des lésions graves aux yeux. Avant de commencer à vous servir de votre outil, mettez toujours des lunettes de sécurité, des lunettes de protection avec un écran latéral ou un masque facial complet suivant le cas. Portez toujours un dispositif de protection des yeux indiqué comme étant conforme à la norme ANSI Z87.1



**AVERTISSEMENT** : ce produit contient des produits chimiques qui, selon l'État de Californie, cause des cancers et des malformations congénitales ou autres problèmes de reproduction. Lavez-vous les mains après toute manipulation.



**AVERTISSEMENT** : Utilisez des équipements de sécurité. Portez toujours des équipements de protection des yeux lorsque vous utilisez des outils électriques. Un masque antipoussière, des chaussures de sécurité antidérapantes, un casque ou un protège-oreilles doivent être utilisés si les conditions le justifient.



**AVERTISSEMENT** : Faites preuve de vigilance lorsque vous utilisez un outil électrique. N'utilisez pas l'outil lorsque vous êtes fatigué ou si vous êtes sous l'influence de médicaments, d'alcool ou de drogues.



**AVERTISSEMENT** : Ne portez pas de bijoux ou de vêtements flottants. Attachez les cheveux longs. Maintenez vos cheveux, vêtements et gants à une distance suffisante des pièces mobiles. Les bijoux, les vêtements flottants ou les cheveux longs peuvent être attrapés dans des pièces mobiles.



**AVERTISSEMENT** : Ne touchez jamais de pièces avec du métal exposé sur le compresseur pendant le fonctionnement ou immédiatement après. Le compresseur restera très chaud pendant plusieurs minutes après avoir été arrêté. Ne soulevez pas les capots de protection et n'effectuez aucune opération d'entretien avant que le compresseur ait suffisamment refroidi.



**MISE EN GARDE** : Le compresseur est trop lourd pour pouvoir être soulevé par une seule personne. Faites-vous aider par quelqu'un avant de tenter de le soulever.

## DÉPLACEMENT DU COMPRESSEUR D'AIR

- Saisissez la poignée.
- Lorsque vous aurez atteint l'endroit désiré, abaissez lentement le compresseur jusqu'au sol. Remisez toujours le compresseur en position horizontale, de façon qu'il repose sur les butoirs en caoutchouc.
- Lors du transport du compresseur dans un véhicule, sur une remorque, etc., assurez-vous que le réservoir a été vidé et que le compresseur est arrimé avec des sangles pour l'empêcher de se renverser. Conduisez avec précaution pour éviter de renverser le compresseur dans le véhicule. Si le compresseur se renversait, il risquerait d'être endommagé ou d'endommager les objets autour de lui. Ne soulevez pas le compresseur par son capot de protection.



**AVERTISSEMENT** : Risque de fonctionnement dangereux. Soyez bien stable et prenez des précautions lorsque vous portez le compresseur pour qu'il ne bascule pas et qu'il ne vous fasse pas perdre l'équilibre.

# Informations sur la sécurité (suite)

## CONSIGNES DE SÉCURITÉ POUR LES COMPRESSEURS D'AIR ET LES OUTILS PNEUMATIQUES

- Maintenez les compresseurs aussi loin que possible des zones de pulvérisation : au moins à 15 pi (0,4 m) de la zone de pulvérisation et de toutes les vapeurs explosives.
- Si vous le connectez à un circuit protégé par des fusibles, utilisez des fusibles à délai de temporisation avec ce produit.
- Assurez-vous que le tuyaux flexible n'est pas obstrué ou coudé. Des tuyaux emmêlés ou vrillés pourraient vous faire perdre l'équilibre ou affecter votre stabilité, et ils pourraient également être endommagés.
- Utilisez seulement le compresseur pour l'emploi prévu. Il ne faut pas altérer ou modifier le compresseur afin de l'utiliser dans un but autre que celui pour lequel il a été conçu ou
- Ne laissez jamais un outil sans supervision avec le tuyau à air attaché.
- Ne vous servez pas de cet outil s'il ne contient pas une étiquette d'avertissement lisible.
- Ne continuez pas à utiliser un outil ou un tuyau avec des fuites d'air ou qui ne fonctionnent pas correctement.
- Ne tentez pas de tirer ou de transporter le compresseur d'air par le tuyau flexible.
- Votre outil a peut-être besoin de plus d'air que ce que ce compresseur est en mesure de lui fournir.
- Ne dirigez jamais un jet d'air comprimé vers des gens ou des animaux.
- Protégez vos poumons. Portez un masque facial ou un masque antipoussière si vous travaillez dans un environnement poussiéreux.
- N'utilisez pas ce compresseur d'air pour pulvériser des produits chimiques. L'inhalation de vapeurs toxiques pourrait être nuisible à vos poumons. Un appareil respiratoire peut être nécessaire lorsque vous travaillez dans un environnement poussiéreux ou lorsque vous appliquez de la peinture au pistolet.
- Ce compresseur est muni d'un protecteur pour surcharge thermique qui arrêtera le moteur en cas de surchauffe.



**AVERTISSEMENT** : ne tentez pas de modifier cet outil ou de créer des accessoires non recommandés en vue d'emploi avec cet outil. Une telle altération ou modification serait considérée comme une utilisation abusive et pourrait être dangereuse, causant des risques de blessures personnelles graves.



**MISE EN GARDE** : n'utilisez pas le compresseur dans un environnement poussiéreux ou contaminé par ailleurs. L'utilisation du compresseur d'air dans ce type d'environnement pourrait causer des dommages à l'équipement.



**MISE EN GARDE** : Risque d'éclatement. N'ajustez pas le régulateur de manière à produire une pression de sortie plus élevée que la pression nominale maximum de l'accessoire. N'utilisez pas le compresseur à une pression plus élevée que la pression nominale maximum prévue. Si vous le connectez à un circuit protégé par des fusibles, utilisez des fusibles à délai de temporisation avec ce produit.



**MISE EN GARDE** : Pour réduire le risque de choc électrique, n'exposez pas le compresseur à la pluie. Rangez-le à l'intérieur.

# Informations sur la sécurité (suite)

## SÉCURITÉ ÉLECTRIQUE (RALLONGES)

- Utilisez seulement des cordons de rallonge à trois fils ayant des fiches de mise à la terre à trois broches et des réceptacles à trois pôles compatibles avec la fiche du produit. Lorsque vous utilisez un outil électrique à une distance considérable de la source d'alimentation électrique, utilisez un cordon de rallonge assez robuste pour transporter le courant dont le produit a besoin. Un cordon de rallonge inadéquat causera une chute de tension pouvant entraîner une coupure de courant et une surchauffe du moteur.
- Utilisez le tableau fourni ci-dessous pour déterminer la taille de fil minimum requise pour le cordon de rallonge. Il ne faut utiliser que des cordons à gaine ronde homologués par Underwriter's Laboratories (UL).
- Utilisez seulement des cordons à gaine ronde homologués par Underwriter's Laboratories (UL) d'une longueur maximum de 50 pi (15 m).
- Lorsque vous utilisez un outil électrique à l'extérieur, employez un cordon de rallonge pour usage extérieur marqué « W-A » ou « W ». Ces cordons peuvent être utilisés à l'extérieur et réduisent le risque de choc électrique.

Intensité nominale (sur la plaque signalétique du compresseur d'air)	
	14 -16
Longueur du cordon	Calibre des fils (AWG)
25 pi	16
50 pi	12
Utilisé sur un circuit de calibre 12 – 20 ampères	
REMARQUE : AWG = American Wire Gauge	



**AVERTISSEMENT :** Lorsque vous utilisez un cordon de rallonge, maintenez-le à bonne distance de la zone de travail. Positionnez le cordon de façon qu'il ne soit pas attrapé par du bois, des outils ou d'autres obstructions pendant que vous travaillez avec un outil électrique. Sinon, vous risqueriez de subir une blessure grave.



**AVERTISSEMENT :** Inspectez les cordons de rallonge avant chaque emploi. S'ils sont endommagés, remplacez-les immédiatement. N'utilisez jamais le compresseur d'air avec un cordon endommagé étant donné que tout contact avec une section endommagée pourrait causer un choc électrique entraînant une blessure grave.



**AVERTISSEMENT :** Une connexion incorrecte du conducteur de mise à la terre de l'équipement pourrait causer un choc électrique.



**MISE EN GARDE :** Évitez tout contact corporel avec des surfaces mises à la terre telles que des canalisations, des radiateurs, des fours ou des réfrigérateurs. Il existe un risque accru de choc électrique si votre corps est relié à la terre.



**MISE EN GARDE :** N'exposez pas des outils électriques à la pluie ou à l'humidité. La pénétration d'eau dans un outil électrique augmente le risque de choc électrique.



**MISE EN GARDE :** Remplacez immédiatement les cordons/fils endommagés. Des cordons/fils endommagés augmentent le risque de choc électrique.

**REMARQUE :** Utilisez des tuyaux à air plus longs à la place de cordons de rallonge. Votre compresseur d'air fonctionnera mieux et durera plus longtemps.

## SÉCURITÉ ÉLECTRIQUE (BRANCHEMENTS ÉLECTRIQUES)

- Ce compresseur d'air est entraîné par un moteur électrique haute précision. Il doit être connecté à une alimentation c.a. de 120 volts, 60 Hz seulement (courant résidentiel normal).
- N'utilisez pas cet outil avec du courant continu (c.c.). Une chute de tension substantielle causera une coupure d'alimentation et une surchauffe du moteur. Si le compresseur d'air ne fonctionne pas quand il est branché dans une prise de courant, assurez-vous que la celle-ci est sous tension.

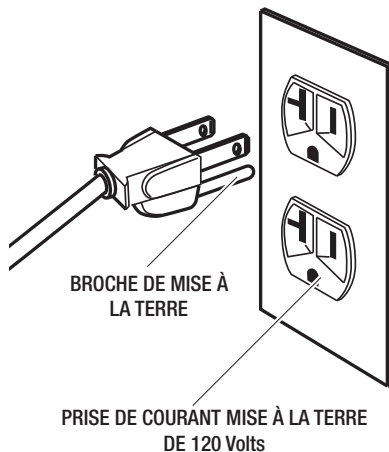
# Informations sur la sécurité (suite)

## SÉCURITÉ ÉLECTRIQUE (VITESSE ET CÂBLAGE)

- La vitesse à vide de ce produit est d'environ 1 700 tr/min. Cette vitesse n'est pas constante et diminue avec une charge ou si la tension est plus basse.
- Pour la tension, le câblage dans un atelier est aussi important que la puissance nominale du moteur. Un circuit électrique conçu exclusivement pour l'éclairage ne conviendra pas à l'alimentation du moteur d'un outil électrique. Un câble qui est approprié pour une courte distance sera insuffisant pour une distance supérieure. Un circuit pouvant supporter un outil électrique ne pourra peut-être pas supporter deux ou trois produits.

## SÉCURITÉ ÉLECTRIQUE (INSTRUCTIONS DE MISE À LA TERRE)

- Ce produit doit être mis à la terre. En cas de court-circuit électrique, la mise à la terre réduit le risque de choc électrique en fournissant un fil d'échappement pour le courant électrique. Ce produit est pourvu d'un cordon ayant un fil à de mise à la terre avec une fiche appropriée pour la mise à la terre. La fiche doit être branchée dans une prise de courant installée de façon appropriée et mise à la terre conformément à tous les codes et règlements locaux.



**AVERTISSEMENT:** Une installation incorrecte de la fiche de mise à la terre causera un risque de choc électrique. Quand la réparation ou le remplacement du cordon ou de la fiche est nécessaire, ne connectez pas le fil de mise à la terre à l'une quelconque des bornes à lames plates. Le fil isolé ayant une surface extérieure verte avec ou sans bandes jaunes est le fil de mise à la terre.

- Substitution du mot « DANGER » pour « Avertissement » est interdite lorsque le risque associé au produit est tel qu'il existe une situation qui ne qu'évité se traduira par la mort ou des blessures graves.
- Adressez-vous à un électricien professionnel ou à un technicien compétent si ces instructions ne sont pas complètement comprises ou si vous n'êtes pas certain que l'outil est correctement mis à la terre.
- Ne modifiez pas la fiche fournie; si elle n'est pas compatible avec la prise de courant, demandez à un électricien professionnel d'installer une prise de courant approprié.
- Ce produit est destiné à un circuit de 120 volts nominal et est munie d'une mise à la terre fiche semblable à la fiche montrée. Seulement brancher l'appareil à une prise ayant la même configuration que le bouchon. Ne pas utiliser un adaptateur avec ce produit.

## GARANTIE LIMITÉE

### CE QUI EST COUVERT

Le fabricant garantit à l'acheteur original de ce produit au détail que ledit produit ne comporte aucun défaut de matériau ou vice de fabrication, et il s'engage à réparer ou remplacer gratuitement, à la discrétion du fabricant, tout produit défectueux pendant les périodes indiquées à compter de la date de l'achat.

Cette garantie est valide pour 3 ans.

Cette garantie ne couvre que l'acheteur original au détail et commence à la date de l'achat original au détail.

Toute partie du produit fabriquée ou fournie par le fabricant et jugée, de l'avis raisonnable du fabricant, défective en raison des matériaux utilisés ou de la fabrication sera réparée ou remplacée par un concessionnaire-réparateur agréé sans frais pour les matériaux et la main-d'œuvre.

Le produit, y compris toute pièce défectueuse, doit être retourné à un concessionnaire-réparateur agréé avant la fin de la période de garantie. Les frais de transport du produit du fabricant au concessionnaire pour les travaux de garantie et les frais de renvoi au propriétaire après la réparation ou le remplacement seront à la charge du propriétaire. La responsabilité du fabricant en cas de réclamation est limitée aux réparations ou remplacements nécessaires, et aucune allégation de violation de la garantie ne saurait donner lieu à l'annulation ou à la rescision du contrat de vente de tout produit du fabricant. Un justificatif d'achat sera exigé par le concessionnaire pour faire valoir la garantie. Toutes les réparations en vertu de la garantie doivent être réalisées par un concessionnaire-réparateur agréé.

### CE QUI N'EST PAS COUVERT

Cette garantie ne couvre aucun produit du fabricant qui aurait fait l'objet d'une utilisation abusive, d'un manque d'entretien, de négligence, d'un accident ou d'une utilisation non conforme aux instructions d'utilisation figurant dans ce mode d'emploi. Cette garantie ne s'applique pas à l'endommagement de tout produit du fabricant qui serait la conséquence d'une maintenance inappropriée ou de tout produit du fabricant qui aurait été altéré ou modifié. La garantie ne s'étend pas aux réparations rendues nécessaires par une usure normale ou par l'utilisation de pièces ou d'accessoires qui sont incompatibles avec le produit du fabricant ou qui affectent négativement son fonctionnement, sa performance ou sa durabilité.

Le fabricant se réserve le droit modifier ou d'améliorer la conception de tout produit sans assumer d'obligation de changer de quelconques produits fabriqués antérieurement. Toutes les garanties implicites ont une durée limitée à la période de garantie indiquée. Par conséquent, toutes les garanties implicites, dont la garantie de qualité marchande, la garantie de caractère approprié pour un usage particulier ou toute autre garantie implicite, sont rejetées dans leur intégralité après l'expiration de la période de garantie de ou de selon le cas. L'obligation du fabricant en vertu de la présente garantie est limitée strictement et exclusivement à la réparation ou au remplacement des composants défectueux, et le fabricant n'assume et n'autorise personne d'autre à assumer une quelconque autre obligation à ce titre. Étant donné que certains États et certaines Provinces ne permettent pas de limitations quant à la durée d'une garantie implicite, la limitation qui précède ne s'applique peut-être pas à vous. Le fabricant n'assume aucune responsabilité pour des dommages accessoires, secondaires ou autres, y compris, sans que la liste suivante soit limitative, les frais de renvoi du produit du fabricant à un concessionnaire-réparateur agréé et les frais de renvoi au propriétaire, la durée de déplacement d'un technicien, les frais de télécommunications, les frais de location d'un produit similaire pendant la durée des travaux effectués sous garantie, les frais de déplacement, la perte ou l'endommagement de biens personnels, la perte de revenus, la perte d'utilisation du produit, la perte de temps ou la gêne causée par l'indisponibilité du produit. Comme certains États ou certaines provinces ne permettent pas l'exclusion ou la limitation des dommages indirects ou secondaires, il se peut que la limitation ou l'exclusion ci-dessus ne s'applique pas à vous.

Cette garantie vous confère des droits légaux spécifiques, et vous disposez peut-être aussi d'autres droits qui peuvent varier en fonction de l'endroit où vous résidez.

Contactez l'équipe de service à la clientèle au 1-888-43-HUSKY, ou rendez-vous sur le site [www.huskytools.com](http://www.huskytools.com).

# Avant la mise en marche

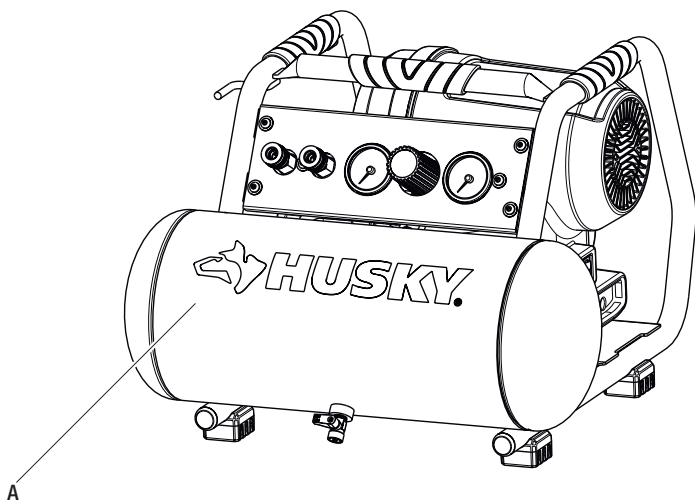
## SPÉCIFICATIONS

Puissance de fonctionnement (en HP)	1,7 HP
Capacité du réservoir d'air	15,1 L
Pression de l'air	225 psi max
Débit d'air	6,8 pi3/min à 40 psi
	5,1 pi3/min à 90 psi
Réservoir temps de remplissage	1,75 minutes
Pression d'enclenchement	175 psi
Pression de coupure	225 psi
Lubrification	Pas d'huile
Entrée	120 V, 60 Hz, monophasé c.a. seulement, 15 ampères
Spécifications minimales pour le circuit de dérivation	15 A
Type de fusible	Délai de temporisation
Poids net	25 kg

## CYCLE DE FONCTIONNEMENT

La pompe de ce compresseur d'air est capable de fonctionner de manière ininterrompue. Cependant, pour prolonger la durée de vie de votre compresseur d'air, il est recommandé qu'un cycle de fonctionnement moyen de 50 % soit maintenu; en d'autres termes, la pompe du compresseur d'air ne devrait pas fonctionner plus de 30 minutes par heure.

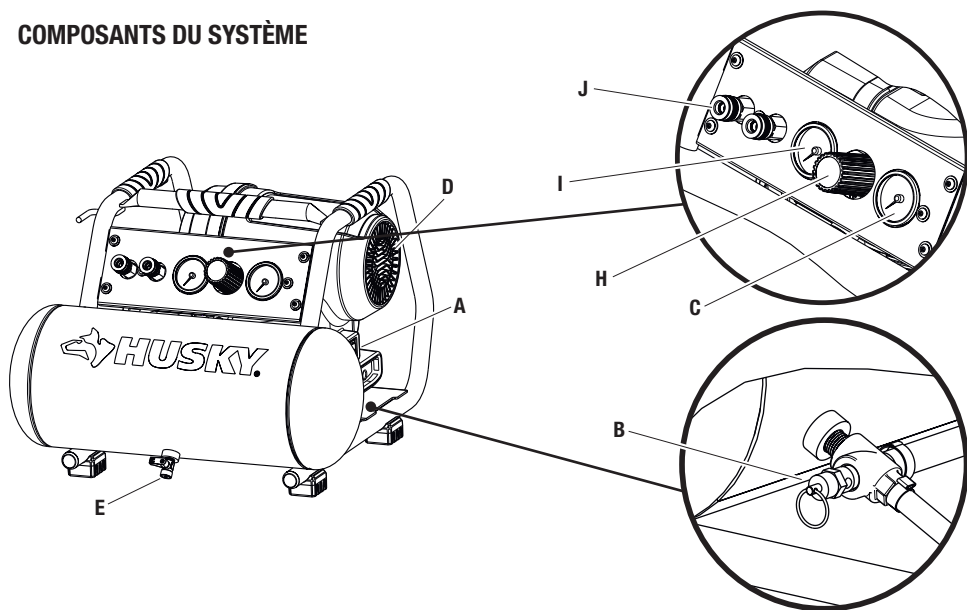
## CONTENU DE LA BOÎTE



Pièce	Description	Quantité
A	Compresseur d'air (complètement assemblé)	1

# Avant la mise en marche (suite)

## COMPOSANTS DU SYSTÈME



Pièce	Description
A	<b>Interrupteur MARCHÉ (I) : ARRÊT (O) :</b> mettez cet interrupteur dans la position de Marche (« I ») pour fournir une alimentation automatique au manostat et sur Arrêt (« O ») pour couper l'alimentation à la fin de chaque utilisation.
B	<b>Soupape de sûreté :</b> si le manostat ne ferme pas le compresseur d'air à son réglage de pression de coupure (« cut-out »), la soupape de sûreté le protégera contre le risque de pression excessive en « sortant » à son réglage de pression d'origine (légèrement plus élevé que le réglage de pression de coupure susmentionné).
C	<b>Indicateur de pression du réservoir :</b> l'indicateur de pression du réservoir indique la pression de l'air de réserve dans le réservoir.
D	<b>Pompe du compresseur d'air :</b> elle comprime l'air dans le réservoir d'air. L'air de travail n'est pas disponible avant que le compresseur ait élevé le niveau de pression du réservoir d'air au-dessus de ce qui est requis à l'orifice de sortie d'air.
E	<b>Robinet de purge :</b> le robinet de purge est situé à la base du réservoir d'air et est utilisé pour purger la condensation après chaque emploi.
F	<b>Clapet (non illustrée) :</b> lorsque le compresseur d'air fonctionne, le clapet est en position « ouverte », ce qui permet à l'air comprimé de pénétrer dans le réservoir d'air. Lorsque le compresseur d'air atteint la pression de coupure (« cut-out »), le clapet se met en position « fermée », ce qui permet à l'air sous pression de rester à l'intérieur du réservoir d'air.
G	<b>Réinitialisation de la surcharge thermique (non illustrée) :</b> ce moteur comporte un protecteur manuel contre les surcharges thermiques. Si le moteur surchauffe pour quelque raison que ce soit, le protecteur contre les surcharges arrêtera le moteur. Il faut attendre que le moteur ait refroidi avant de le remettre en marche. Pour le remettre en marche : <ol style="list-style-type: none"> <li>1. Placez l'interrupteur ON / OFF dans le «OFF» (O).</li> <li>2. Débranchez le compresseur d'air et attendez jusqu'à ce que le compresseur se refroidisse.</li> <li>3. Branchez le compresseur d'air dans et à la sortie approuvée.</li> <li>4. Placez l'interrupteur ON / OFF en position «ON» (I) pour redémarrer le moteur.</li> </ol>



## Avant la mise en marche (suite)

Pièce	Description
H	<b>Régulateur</b> : valve utilisée pour assurer que la pression du réservoir n'atteigne jamais des niveaux dangereux. Il permet également à l'utilisateur de régler la pression de l'air sortant du réservoir afin de correspondre à ce qui est nécessaire pour la tâche à accomplir.
I	<b>Indicateur de pression du régulateur</b> : cet instrument indique le niveau de la pression que le régulateur fournit à l'outil.
J	<b>Connecteurs à fixation rapide</b> : raccords qui sont conçus pour recevoir un tuyau flexible permettant de relâcher de la pression en vue d'utilisation par l'outil.

### PLACEMENT DU COMPRESSEUR D'AIR



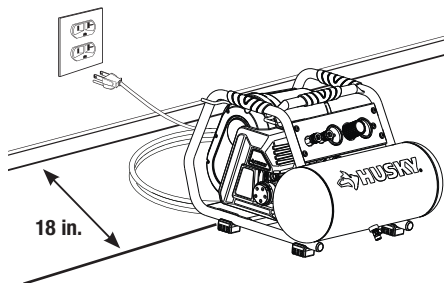
**AVERTISSEMENT** : Si de quelconques pièces sont endommagées ou manquantes, ne vous servez pas de ce produit avant que ces pièces n'aient été remplacées. Le non-respect de cet avertissement pourrait causer des blessures graves.



**MISE EN GARDE** : n'utilisez pas le compresseur dans un environnement poussiéreux ou contaminé par ailleurs. L'utilisation du compresseur d'air dans ce type d'environnement pourrait l'endommager.

**REMARQUE** : Des fils électriques très longs pourraient causer une perte de puissance du moteur.

- Placez le compresseur d'air dans un endroit propre, sec et bien ventilé.
- Le compresseur d'air doit être positionné à au moins 18 po (50 cm) de distance de tout mur ou autre obstruction pouvant affecter la circulation de l'air.
- Placez le compresseur d'air aussi près que possible de la source d'alimentation électrique principale pour éviter de devoir utiliser des fils électriques très longs.
- Le filtre à air doit être nettoyé régulièrement de façon à éviter les obstructions qui pourraient réduire l'arrivée d'air dans le compresseur d'air.



# Avant la mise en marche (suite)

## FIXATION DU TUYAU FLEXIBLE



**AVERTISSEMENT :** Ne tentez pas de modifier ce produit ou de créer des accessoires non recommandés en vue d'emploi avec ce produit. Une telle altération ou modification serait considérée comme une utilisation abusive et pourrait être dangereuse, causant des risques de blessures personnelles graves.



**AVERTISSEMENT :** N'attachez pas de mandrin à air ou d'autre outil à l'extrémité ouverte du tuyau flexible jusqu'à ce que la mise en marche ait été effectuée.



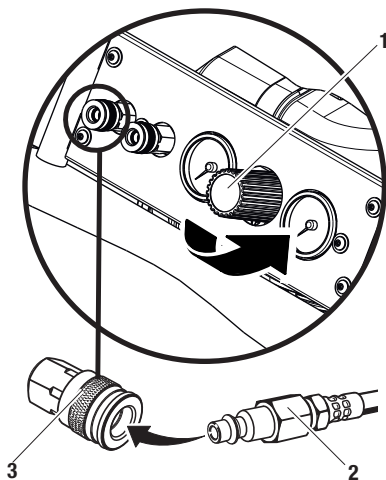
**AVERTISSEMENT :** Soyez toujours vigilant avec ce produit, même après vous être bien habitué à son utilisation. Rappelez-vous qu'il suffit d'une fraction de seconde d'inattention pour causer de graves blessures.



**AVERTISSEMENT :** Portez toujours des lunettes de sécurité ou des lunettes de protection avec un écran latéral lorsque vous utilisez des outils électriques. Sinon, la projection toujours possible d'objets dans vos yeux pourrait vous causer de graves blessures.

Le compresseur est assemblé à l'usine et est prêt pour l'emploi. Inspectez tous les composants pour confirmer que l'assemblage a été effectué correctement (par exemple : pieds en caoutchouc, roues, poignée, connecteurs à fixation rapide, indicateurs de pression, soupape de sécurité, filtre à air, robinet de purge, etc.)

- Assurez-vous que l'alimentation électrique de votre compresseur d'air est déconnectée.
- Appliquez un ruban à filet sur les connexions filetées du tuyau flexible (non inclus) et attachez un coupleur à fixation rapide au tuyau flexible en utilisant une clé (non incluse).
- Appliquez le ruban à filet sur les connexions filetées de la fiche mâle, et attachez la fiche mâle au tuyau flexible en utilisant une clé.
- Faites tourner le bouton du régulateur de pression (1) à fond dans le sens contraire des aiguilles d'une montre.
- Insérez l'extrémité adaptateur de tuyau flexible du tuyau à air (2) dans l'extrémité du coupleur femelle du compresseur d'air (3).



## 1 Préparation en vue de la mise en marche



**AVERTISSEMENT :** Risque de fonctionnement dangereux. Saisissez fermement à la main le tuyau à air lorsque vous installez ou déconnectez pour éviter un « coup de fouet ».



**AVERTISSEMENT :** Risque de fonctionnement dangereux. N'utilisez pas d'accessoires endommagés ou usés.



**AVERTISSEMENT :** Risque d'éclatement. Une pression d'air excessive cause un risque dangereux d'éclatement. Vérifiez la pression maximum nominale indiquée par le fabricant pour les outils pneumatiques et leurs accessoires. La pression de sortie du régulateur ne doit jamais dépasser la pression maximum nominale.

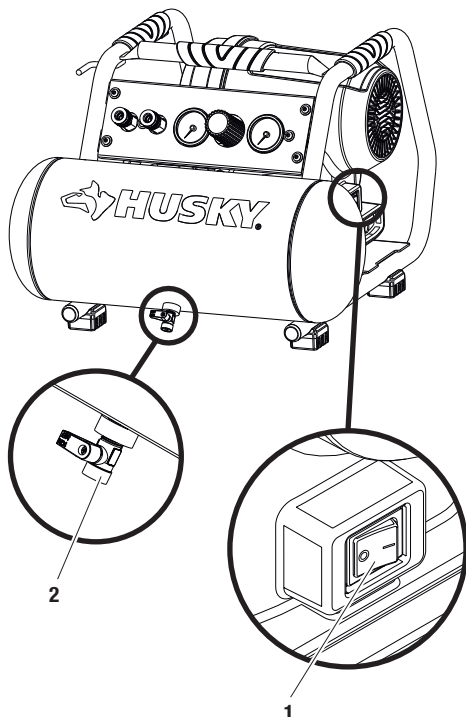


**MISE EN GARDE :** Risque de fonctionnement dangereux. L'air comprimé de l'instrument peut contenir de la condensation d'eau et un brouillard d'huile. Ne pulvérisez pas d'air non filtré sur un article qui pourrait être endommagé par de l'humidité. Certains outils pneumatiques et leurs accessoires peuvent nécessiter de l'air filtré. Lisez les instructions pour les outils pneumatiques et leurs accessoires.



**REMARQUE :** Un régulateur DOIT être installé en cas d'utilisation d'accessoires prévus pour une pression nominale de moins de 150 psi. Le tuyau flexible ou l'accessoire nécessitera une fiche à connexion rapide si la sortie d'air est pourvue d'une prise à connexion rapide.

- Mettez l'interrupteur Marche (I) / Arrêt (O) dans la position d'arrêt (O) (1).
- Fermez le robinet de purge (2).
- Inspectez visuellement les conduites d'air et les raccords pour vous assurer qu'il n'y a pas de fuites.



### 2 Mise en marche du compresseur

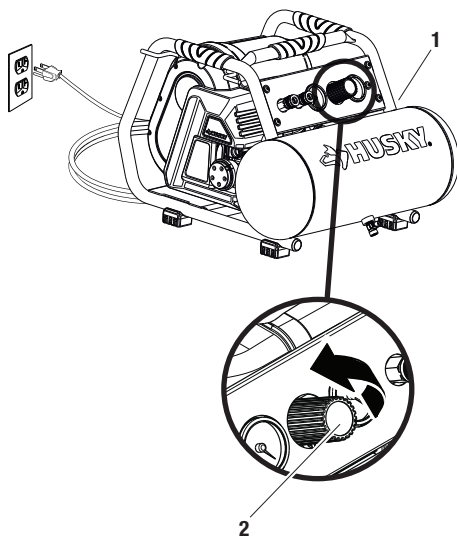


**AVERTISSEMENT** : Risque d'éclatement. Si vous constatez des vibrations ou un bruit inhabituel, arrêtez immédiatement le compresseur d'air et faites-le inspecter par un technicien réparateur qualifié.



**REMARQUE** : Lorsque vous utilisez le régulateur et les autres accessoires, référez-vous aux instructions du fabricant.

- Branchez le cordon d'alimentation dans une prise de courant appropriée.
- Mettez l'interrupteur Marche (I) / Arrêt (O) (1) dans la position de marche (I), et attendez que la pression dans le réservoir augmente. Le moteur s'arrêtera lorsque la pression dans le réservoir aura atteint la pression de coupure (« cut-out »).
- Ajustez le régulateur (2) à un réglage en psi qui est nécessaire pour votre application – vérifiez qu'elle est conforme aux normes de sécurité requises pour effectuer la tâche prévue.



### 3 Inspection de la soupape de sûreté

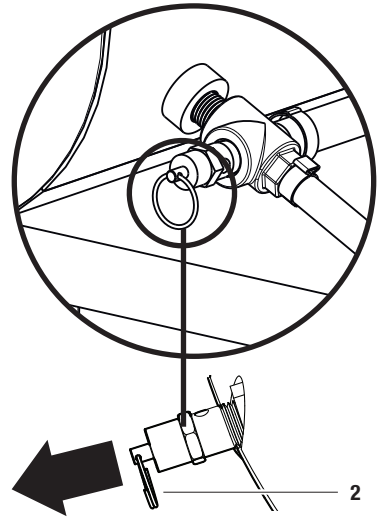
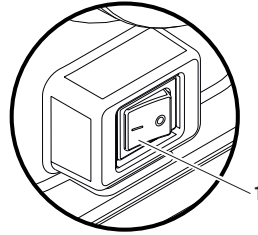


**DANGER** : N'altérez pas la soupape de sûreté. Des éléments se détachant de la soupape pourraient être projetés vers vous et vous frapper. Le non-respect de cet avertissement pourrait causer la mort ou de graves blessures. La soupape de sûreté relâche automatiquement de l'air lorsque la pression du récepteur dépasse la valeur maximum préétablie. Inspectez la soupape chaque jour avant d'utiliser le compresseur en tirant sur l'anneau avec la main.



**AVERTISSEMENT** : En cas de fuite d'air après que vous avez relâché l'anneau de la soupape de sûreté ou de blocage de la soupape, n'utilisez pas le compresseur d'air avant que la soupape de sûreté n'ait été remplacée. L'utilisation du compresseur d'air dans cet état pourrait causer de graves blessures.

- Mettez l'interrupteur Marche (I) / Arrêt (O) (1) dans la position de marche (I), et attendez que le réservoir se remplisse. Le compresseur s'arrête automatiquement lorsque la pression atteint la valeur maximum préétablie.
- Mettez l'interrupteur Marche (I) / Arrêt (O) (1) dans la position d'arrêt (O).
- Tirez sur l'anneau de la soupape de sûreté (2) pendant 20 secondes pour relâcher de l'air.
- Relâchez l'anneau. L'air cesse de sortir à environ 20 psi. Si de l'air continue de sortir après que vous aurez relâché l'anneau de la soupape de sûreté, cessez d'utiliser le compresseur d'air et faites-le réparer avant de l'utiliser à nouveau.



### 4 Utilisation du compresseur d'air



**AVERTISSEMENT :** Assurez-vous toujours que l'interrupteur est dans la position d'arrêt (0) et que l'indicateur de pression du régulateur indique zéro avant de changer d'outil pneumatique ou de déconnecter le tuyau flexible de la sortie d'air. Si vous ne faites pas cela vous risqueriez de vous exposer à de graves blessures

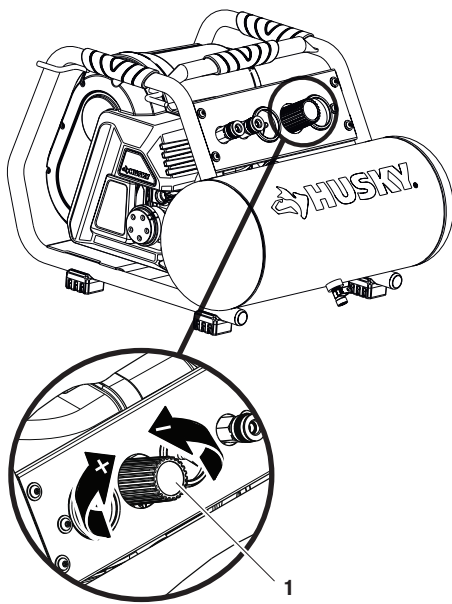


**AVERTISSEMENT :** Votre outil nécessite peut-être plus d'air que ce que ce compresseur d'air est capable de fournir. Consultez le mode d'emploi de l'outil pour ne pas risquer d'endommager l'outil ou de vous blesser.



**REMARQUE :** Utilisez toujours le débit minimum d'air avec le bouton du régulateur de pression. L'utilisation d'une pression plus élevée que ce dont vous avez besoin drainera de l'air du réservoir plus rapidement et causera une utilisation plus intensive du compresseur.

- Faites tourner le bouton du régulateur de pression (1) jusqu'à la pression désirée pour le circuit. Si vous tournez le bouton dans le sens des aiguilles d'une montre (+), vous augmenterez la pression de l'air à la sortie; si vous le tournez dans le sens contraire (-), vous réduirez la pression d'air à la sortie.
- Si vous utilisez un accessoire de gonflage, contrôlez le débit d'air au moyen du bouton du régulateur de pression (1). Si vous faites tourner le bouton à fond dans le sens contraire des aiguilles d'une montre, vous couperez complètement la circulation de l'air.
- Lorsque vous aurez terminé, purgez toujours le réservoir et débranchez le compresseur. Ne le laissez jamais branché et/ou fonctionner sans surveillance.



## 5 Purge du réservoir



**AVERTISSEMENT :** Risque de fonctionnement dangereux. Les réservoirs d'air contiennent de l'air à haute pression. Gardez le visage et les autres parties du corps hors de la trajectoire de sortie du réservoir. Protégez-vous les yeux [ANSI Z87.1 (CAN/CSA Z94.3)] lorsque vous purgez le réservoir car des débris risqueraient d'être projetés vers votre visage.



**AVERTISSEMENT :** Risque de bruit excessif. Protégez-vous les oreilles (ANSI S12.6 (S3.19) étant donné que le bruit de la projection de l'air lors de la purge est très élevé.



**AVERTISSEMENT :** Risque d'éclatement. De l'eau se condensera dans le réservoir. Si elle n'est pas drainée, l'eau causera de la corrosion et affaiblira la structure du réservoir d'air, causant ainsi un risque de rupture du réservoir d'air.



**REMARQUE :** Tous les systèmes d'air comprimé produisent du condensat qui s'accumule dans tout le circuit de drainage (p. ex., réservoirs, filtre, refroidisseurs secondaires, séchoirs). Ce condensat contient de l'huile de graissage et/ou des substances qui sont peut-être réglementées et doivent être mises au rebut conformément aux lois et réglementations locales, provinciales et nationales.

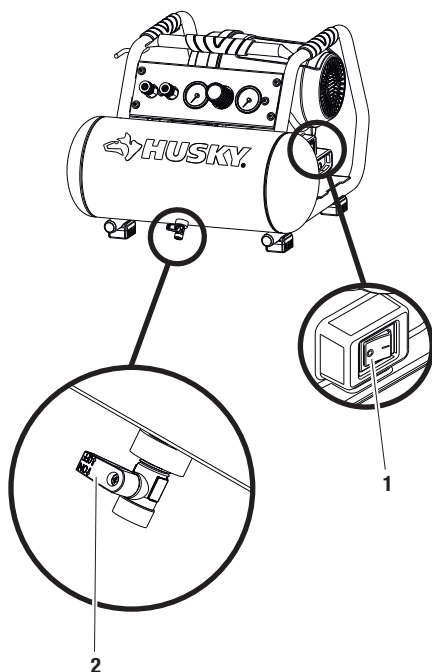


**REMARQUE :** Si le robinet de purge est obstrué, relâchez toute la pression d'air. Le robinet pourra alors être retiré, nettoyé et réinstallé ensuite.



**NOTE :** Risque de dommage aux biens. L'eau drainée du réservoir d'air peut contenir de l'huile et de la rouille, qui risquent de faire des taches.

- Mettez l'interrupteur Marche (I) / Arrêt (O) (1) dans la position d'arrêt (O).
- Purgez lentement de l'air du réservoir du compresseur en tirant sur la soupape de sûreté pour laisser de la pression s'échapper du réservoir jusqu'à ce que la pression atteigne environ 20 psi.
- Drainez l'eau du réservoir en ouvrant le robinet de purge (2) au fond du réservoir.
- Après avoir drainé l'eau, fermez le robinet de purge (2). Le compresseur d'air peut maintenant être rangé.



## CONSIGNES GÉNÉRALES DE MAINTENANCE

- Du condensat se forme dans le réservoir quand il y a de l'humidité dans l'air. En fonction des conditions environnementales, drainez le condensat quotidiennement et/ou toutes les heures. Pour obtenir des instructions à ce sujet, voir Purge du réservoir, page 16.
- La soupape de sûreté relâche automatiquement de l'air lorsque la pression du récepteur dépasse la valeur maximale préétablie.
- Inspectez le réservoir une fois par an pour vous assurer qu'il n'y a pas de rouille, de trous d'aiguille ou d'autres imperfections qui pourraient le rendre dangereux.
- Évitez d'utiliser des solvants lorsque vous nettoyez des pièces en plastique. La plupart des plastiques risquent d'être endommagés par divers types de solvants commerciaux utilisés pour les nettoyer.
- Utilisez des tissus propres pour retirer les saletés, la poussière, l'huile, la graisse, etc.
- Tout travail de réparation, autre qu'un entretien général, devrait être exécuté par un représentant de service autorisé.



**AVERTISSEMENT :** Pour toutes réparations, utilisez exclusivement des pièces de rechange Husky identiques. L'utilisation de toutes autres pièces pourrait être dangereux ou endommager le produit.



**AVERTISSEMENT :** Relâchez toujours toute la pression, débranchez de la prise de courant et laissez le compresseur d'air refroidir suffisamment pour pouvoir le toucher avant de le nettoyer ou de le réparer.



**AVERTISSEMENT :** Ne laissez jamais de fluides de freinage, d'essence, de produits à base de pétrole, d'huiles pénétrantes, etc. entrer en contact avec des pièces en plastique. Les produits chimiques risquent d'endommager, d'affaiblir ou de détruire le plastique, ce qui pourrait causer de graves blessures. Les outils électriques utilisés sur des matériaux en fibre de verre, des panneaux de revêtements muraux, des pâtes de rebouchage ou du plâtre ordinaire sont sujets à une usure accélérée et au risque de défaillance précoce parce que les éclats et morceaux de fibres de verre sont très abrasifs pour les paliers, les balais, les commutateurs, etc. Par conséquent, nous ne recommandons pas l'utilisation de cet outil pour effectuer fréquemment des travaux sur ces types de matériaux. Cependant, si vous devez travailler sur ces matériaux, il est extrêmement important de nettoyer l'outil en utilisant de l'air comprimé.

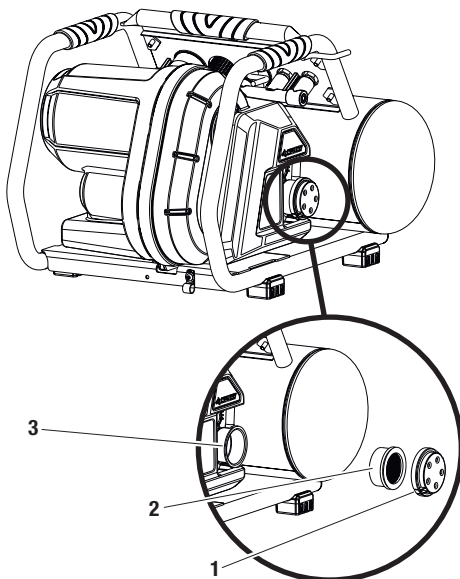
## LUBRIFICATION

Tous les paliers de cet outil sont lubrifiés avec une quantité suffisante de lubrifiant de qualité élevée pour ne pas nécessiter de nouvelle lubrification pendant la durée de vie de ce compresseur s'il est utilisé dans des conditions normales. Aucune autre lubrification des paliers ne devrait donc être nécessaire.

## NETTOYAGE DU FILTRE À AIR

De temps en temps, le filtre à air doit être retiré et nettoyé.

- Arrêtez le compresseur d'air (« 0 »).
- Débranchez le compresseur d'air.
- Retirez le cache du filtre à air (1) d'un mouvement sec.
- Retirez le filtre à air (2) du logement du filtre à air (3).
- Soufflez de l'air comprimé à travers le filtre à air pendant 10 à 15 secondes.





## Entretien et nettoyage

- Purgez le réservoir d'air pour en retirer toute l'humidité après vous en être servi.
- Quand il n'est pas utilisé, rangez le compresseur à un endroit frais et sec.
- Déconnectez le tuyau à air et laissez tomber les extrémités ouvertes pour purger toute l'humidité. Enveloppez le cordon d'alimentation sur la poignée du compresseur d'air.
- Protégez le cordon électrique et le boyau d'air contre tout dommage (de façon à ce qu'ils ne soient pas coincés ou écrasés). Enroulez-les, sans contrainte, autour de la poignée du compresseur d'air.

## Diagnostic de défaillance

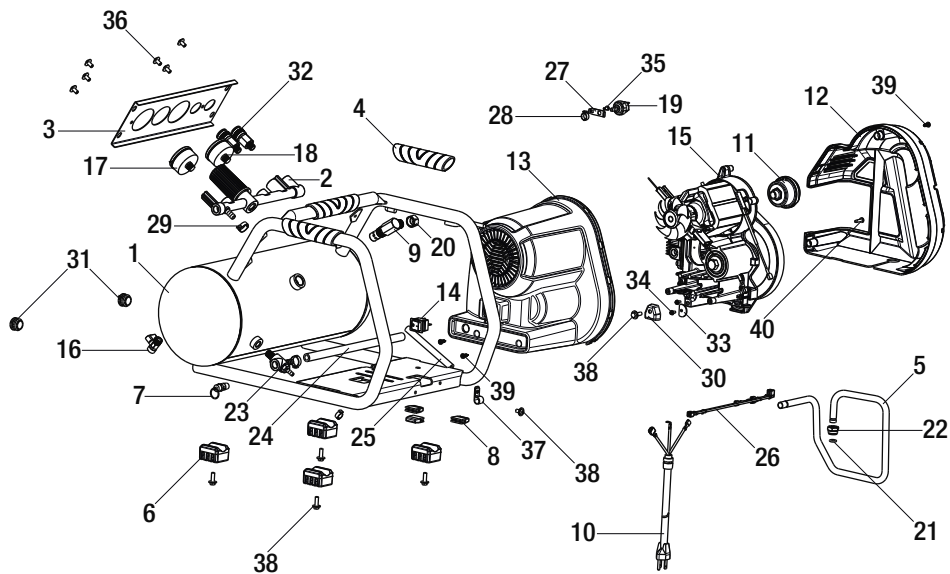
Problème	Cause possible	Solution
Le compresseur ne se met pas en marche.	<input type="checkbox"/> Vous constatez une perte de puissance ou une surchauffe du moteur.	<input type="checkbox"/> Assurez-vous que le cordon de rallonge est utilisé de façon appropriée.
	<input type="checkbox"/> Le compresseur n'est pas sous tension.	<input type="checkbox"/> Vérifiez que le compresseur est branché correctement.
	<input type="checkbox"/> Le disjoncteur s'est déclenché ou un fusible a sauté au niveau de la source d'alimentation principale.	<input type="checkbox"/> Inspectez le fusible/disjoncteur.
	<input type="checkbox"/> Le protecteur de surcharge thermique a été actionné.	<input type="checkbox"/> Mettez le compresseur d'air en position d'arrêt (« 0 »).
		<input type="checkbox"/> Débranchez le compresseur d'air et attendez qu'il ait suffisamment refroidi.
		<input type="checkbox"/> Branchez le compresseur d'air dans une prise de courant approuvée.
<input type="checkbox"/> Mettez le compresseur d'air en position de marche (« 1 »).		
<input type="checkbox"/> Le manostat est défectueux.	<input type="checkbox"/> Apportez le compresseur dans un centre de service après-vente.	
<input type="checkbox"/> Le compresseur a atteint la pression de coupure automatique.	<input type="checkbox"/> Relâchez de l'air du réservoir jusqu'à ce que le compresseur se remette automatiquement en marche.	
Le moteur bourdonne en fonctionnant lentement, ou il ne fonctionne pas du tout.	<input type="checkbox"/> La tension de la source d'alimentation d'origine est basse.	<input type="checkbox"/> Appelez un électricien.
	<input type="checkbox"/> Un fil de calibre inadéquat ou un cordon de rallonge de longueur excessive est utilisé.	<input type="checkbox"/> Assurez-vous que le calibre du fil est adéquat et que le cordon n'est pas trop long.
	<input type="checkbox"/> Un câble du moteur est court-circuité ou ouvert.	<input type="checkbox"/> Apportez le compresseur dans un centre de service après-vente.
	<input type="checkbox"/> Un clapet ou un dispositif de décharge est défectueux.	<input type="checkbox"/> Apportez le compresseur dans un centre de service après-vente.

## Diagnostic de défaillance (suite)

Problème	Cause possible	Solution
Les fusibles sautent ou le disjoncteur se déclenche de façon répétée.	<input type="checkbox"/> Un type de fusible incorrect est utilisé.	<input type="checkbox"/> Assurez-vous que le fusible approprié est utilisé. <input type="checkbox"/> Utilisez un fusible à temporisation. Débranchez les autres appareils électriques du circuit ou raccordez le compresseur à son propre circuit de dérivation.
	<input type="checkbox"/> Un fil de calibre inadéquat ou un cordon de rallonge de longueur excessive est utilisé.	<input type="checkbox"/> Assurez-vous que le calibre du fil est adéquat et que le cordon n'est pas trop long.
	<input type="checkbox"/> Un clapet ou un dispositif de décharge est défectueux.	<input type="checkbox"/> Apportez le compresseur dans un centre de service après-vente.
Le protecteur de surcharge thermique se déclenche de façon répétée.	<input type="checkbox"/> La tension de la source d'alimentation d'origine est basse.	<input type="checkbox"/> Appelez un électricien.
	<input type="checkbox"/> La ventilation est inadéquate, ou la température de la salle est trop élevée.	<input type="checkbox"/> Déplacez le compresseur pour l'installer à un endroit bien ventilé.
	<input type="checkbox"/> Un fil de calibre inadéquat ou un cordon de rallonge de longueur excessive est utilisé.	<input type="checkbox"/> Assurez-vous que le calibre du fil est adéquat et que le cordon n'est pas trop long.
La pression du récepteur d'air chute quand le compresseur s'arrête.	<input type="checkbox"/> Les connexions (raccords, tubes, etc.) sont desserrées et fuient.	<input type="checkbox"/> Vérifiez toutes les connexions avec une solution d'eau et de savon, et serrez.
	<input type="checkbox"/> Le robinet de purge est desserré ou ouvert.	<input type="checkbox"/> Serrez le robinet de purge.
	<input type="checkbox"/> Il y a une fuite au niveau du clapet.	<input type="checkbox"/> Apportez le compresseur dans un centre de service après-vente.
Il y a trop d'humidité dans l'air de décharge.	<input type="checkbox"/> Il y a trop d'eau dans le réservoir d'air.	<input type="checkbox"/> Purgez le réservoir.
	<input type="checkbox"/> Le compresseur est utilisé dans un environnement extrêmement humide.	<input type="checkbox"/> Déplacez le compresseur pour l'installer dans un endroit moins humide; utilisez un filtre à conduite pneumatique.
Le compresseur fonctionne sans interruption.	<input type="checkbox"/> Le manostat est défectueux.	<input type="checkbox"/> Apportez le compresseur dans un centre de service après-vente.
	<input type="checkbox"/> Une quantité excessive d'air est utilisée.	<input type="checkbox"/> Réduisez la consommation d'air; le compresseur n'est pas assez grand pour les besoins de l'outil.
La sortie d'air est inférieure à la normale.	<input type="checkbox"/> Les valves d'admission sont cassées.	<input type="checkbox"/> Apportez le compresseur dans un centre de service après-vente.
	<input type="checkbox"/> Les connexions (raccords, tubes, etc.) sont desserrées et fuient.	<input type="checkbox"/> Serrez les connexions.

# Pièces de rechange

C041H/C041H.C, COMPRESSEUR D'AIR



# Pièces de rechange (suite)

## C041H/C041H.C, COMPRESSEUR D'AIR

Numéro d'article	Description	Numéro de pièce
1	Réservoir 15,1 l - peint	E109310
2	Collecteur, structure, régulateur	E109319
3	Collecteur, panneau, régulateur	E109308
4	Prise pour poignée, jeu de 3	E109314
5	Tube de sortie	E109309
6	Pied, isolant, jeu de 4	E109475
7	Soupape de sûreté	E107851
8	Pompe, isolant, jeu de 3	E106622
9	Clapet anti-retour	E106653
10	Cordon électrique	E106629
11	Ensemble, filtre	E106632
12	Boîtier, gauche	E109316
13	Boîtier, droit	E109317
14	Interrupteur, bascule	E106633
15	Pompe	E109720
16	Soupape, drainage	E106916
17	Manomètre (réservoir)	E107854
18	Manomètre (régulateur)	E107855
19	Mano-contacteur	E107852
20	Ensemble manchon , écrou 1/2 po.	E106641
21	Bague en "o"	E106624
22	Écrou	E106623
23	Collecteur	E109322
24	Tuyau, 3/8 po.	E109320
25	Tuyau, 1/4 po.	E109323
26	Ensemble, câble, pontage	E109575
27	Support	E106634
28	Tuyau, attache, 1/4 po., Jeu de 2	E106648
29	Tuyau, attache, 3/8 po., Jeu de 2	E109321
30	Coupelle	E106625
31	Bougie, capuchon, jeu de 2	E109473
32	Connexion rapide	E107334
33	Rondelle	E106657
34	Vis autotaraudeuse #8 x .375 mm, Jeu de 2	E106643

## Pièces de rechange (suite)

### C041H/C041H.C, COMPRESSEUR D'AIR

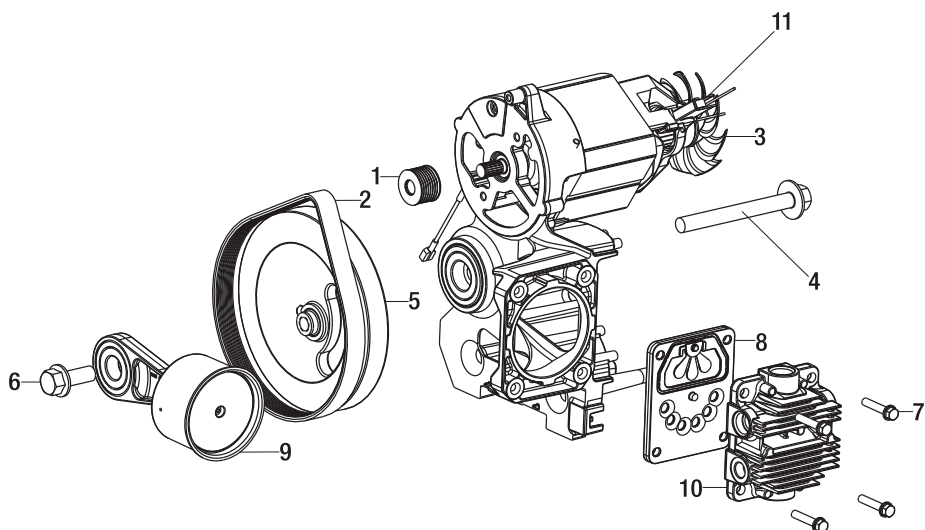
Numéro d'article	Description	Numéro de pièce
35	VIS #8-16 x .375 mm Plastite	E106638
36	VIS.250-20 X .50 mm	E109129
37	SUPPORT CORDON ÉLECTRIQUE	E109472
38	VIS.250-20 X .75 mm	E106611
39	VIS 10-24 X .563 mm	E106614
40	VIS 10-14 T20	E106646
41	Étiquette / avertissement – drainage de réservoir	E109313
42	Étiquette / avertissement	E109311
43	Étiquette / surface chaude	E109471



**REMARQUE :** S'il n'y a pas de numéro indiqué dans un champ de numéro de pièce, cela signifie que la pièce n'est pas disponible. Les descriptions ne sont fournies que pour référence.

# Pièces de rechange (suite)

## ENSEMBLE DE POMPE/MOTEUR



Numéro d'article	Description	Numéro de pièce
1	Poulie	E106663
2	Courroie	E106664
3	Ventilateur	E106665
4	Vis	E106666
5	Volant	E106667
6	Vis	E106668
7	Vis, kit de 4	E106669
8	Kit de plateau de distribution	E106670
9	Kit d'embiellage	E106671
10	Tête	E109721
11	Trousse - brosses	E109432



Questions, problèmes, pièces manquantes? Avant de retourner ce produit au magasin, appeler le Service clientèle de Husky entre 8h et 18h, Heure de l'Est, du lundi au vendredi.

**1-888-43-HUSKY**

**HUSKYTOOLS.COM**

Conserver ce mode d'emploi pour utilisation future.

Document numéro : E109779

03/15/2016

Artículo # 1001-622-795/1000-857-793

Modelo # C041H/C041H.C

Fabricante - REF CSA # U3A2257H



# GUÍA DE USO Y CUIDADO

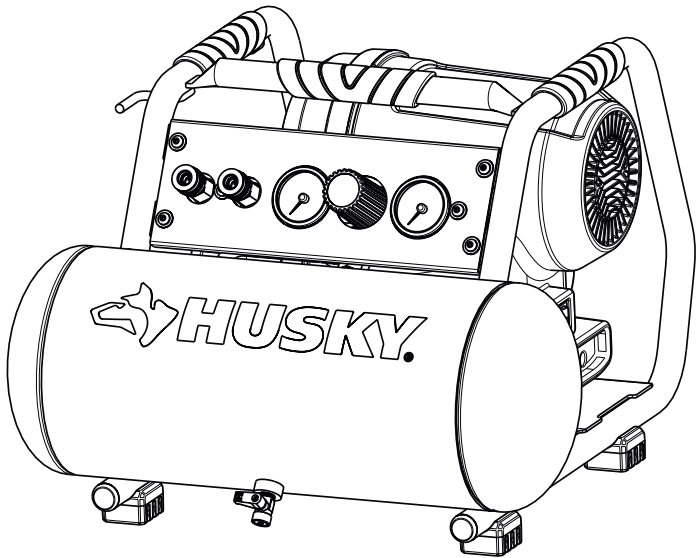
## COMPRESOR CUADRILLA - ALTO RENDIMIENTO - 15,1 LITROS - 225 PSI

¿Preguntas, problemas, faltan piezas?

Antes de devolver la unidad a la tienda, llame a  
Servicio al Cliente de Husky de 8 a.m. a 6 p.m.,  
Hora del Este (EST), de lunes a viernes.

1-888-43-HUSKY

HUSKYTOOLS.COM



### GRACIAS

*Le agradecemos la preferencia y confianza que ha depositado en Husky a través de la compra de este compresor de aire. Nos esforzamos por crear continuamente productos de alta calidad diseñados para mejorar su hogar. Visítenos en Internet para ver nuestra línea completa de productos disponibles para las necesidades de mejora de su hogar.*

*¡Gracias por elegir Husky!*



# Índice de materias

<b>Información de seguridad</b> .....	2	Componentes del sistema .....	9
Seguridad del área de trabajo .....	2	Colocación del compresor de aire .....	10
Seguridad personal .....	3	Instale la manguera .....	11
Traslado del compresor .....	3	<b>Utilización</b> .....	12
Seguridad del compresor de aire y las herramientas neumáticas .....	4	<b>Mantenimiento</b> .....	17
Seguridad eléctrica .....	5	Mantenimiento general .....	17
<b>Garantía</b> .....	7	Lubricación .....	17
<b>Preutilización</b> .....	8	Limpie el filtro de aire .....	17
Especificaciones .....	8	<b>Cuidado y limpieza</b> .....	17
Ciclo de servicio .....	8	<b>Resolución de problemas</b> .....	18
Contenido del paquete .....	8	<b>Piezas de repuesto</b> .....	20

## Información de seguridad

Este manual contiene información que es importante que usted conozca y entienda. Esta información se relaciona con proteger su seguridad y prevenir los problemas del equipo. Para ayudarlo a reconocer esta información, usamos los símbolos que se muestran a continuación. Sírvase leer el manual y prestar atención a estos símbolos.



**PELIGRO:** Indica una situación peligrosa inminente que, si no se evita, causará la muerte o lesiones graves.



**ADVERTENCIA:** Indica una situación potencialmente peligrosa que, si no se evita, podría causar la muerte o lesiones graves.



**PRECAUCIÓN:** Indica una situación potencialmente peligrosa que, si no se evita, puede que cause lesiones leves o moderadas.



**AVISO:** Indica una práctica no relacionada con lesiones personales que, si no se evita, puede que cause daños materiales.

## SEGURIDAD DEL ÁREA DE TRABAJO

- Mantenga el área de trabajo limpia y bien iluminada. Asegúrese de que los pisos no estén resbalosos por causa de cera o polvo.
- Utilice el compresor de aire en un área abierta por lo menos a 18 pulgadas (0.5 m) de cualquier pared u objeto que podría restringir el flujo de aire fresco a las aberturas de ventilación.



**ADVERTENCIA:** No utilice herramientas eléctricas en atmósferas explosivas, tales como las existentes en presencia de líquidos, gases o polvos inflamables. Las herramientas eléctricas generan chispas, las cuales pueden incendiar los polvos o vapores. Mantenga a las personas que estén presentes, los niños y los visitantes alejados mientras utiliza herramientas. Las distracciones pueden hacer que usted pierda el control.



**ADVERTENCIA:** Este compresor no está equipado para suministrar aire respirable y no se deberá utilizar con ese fin. Se necesitaría equipo adicional para filtrar y purificar apropiadamente el aire con el fin de cumplir con las especificaciones mínimas de respiración de Grado D, tal y como se describen en la Especificación de Productos de la Asociación de Gases Comprimidos G 7.1 - 1966, OSHA 29 CFR 1910.134. Compressed Gas Association, 4221 Walney Road, Fifth Floor, Chantilly, VA 20151-2923, (703) 788-2700, [www.cganet.com](http://www.cganet.com). No se ha examinado ningún equipo adicional de ese tipo y no se pretende ni insinúa ninguna implicación de uso apropiado para suministrar aire respirable.



**PRECAUCIÓN:** Desconecte siempre el suministro de aire y el suministro eléctrico antes de hacer ajustes, realizar servicio de mantenimiento de una herramienta o cuando una herramienta no esté en uso.

# Información de seguridad (continuación)

## SEGURIDAD PERSONAL

- Mantenga un apoyo de los pies y un equilibrio apropiados en todo momento. Un apoyo de los pies y un equilibrio apropiados permiten un mejor control de la herramienta en situaciones inesperadas.
- No utilice la unidad en una escalera de mano o un soporte inestable.



**ADVERTENCIA:** La utilización de cualquier herramienta eléctrica puede hacer que se arrojen objetos extraños hacia los ojos, lo cual puede causar daños oculares graves. Antes de comenzar a utilizar la herramienta, póngase siempre anteojos de seguridad, gafas de seguridad con protectores laterales o una careta completa cuando sea necesario. Use siempre protección ocular marcada para cumplir con la norma ANSI Z87.1.



**ADVERTENCIA:** Este producto contiene sustancias químicas que el estado de California sabe que causan cáncer y defectos de nacimiento u otros daños sobre la reproducción. Lávese las manos después de manejar el producto.



**ADVERTENCIA:** Utilice equipo de seguridad. Use siempre protección ocular con protectores laterales cuando utilice herramientas eléctricas. Se debe usar una máscara antipolvo, zapatos de seguridad antideslizantes, casco o protección de la audición para las condiciones apropiadas.



**ADVERTENCIA:** Manténgase alerta cuando utilice una herramienta eléctrica. No utilice la herramienta mientras esté cansado o bajo la influencia de drogas, alcohol o medicamentos.



**ADVERTENCIA:** No use ropa holgada ni joyas. Sujétese el pelo largo. Mantenga el pelo, la ropa y los guantes alejados de las piezas móviles. La ropa holgada, las joyas o el pelo largo pueden ser atrapados en las piezas móviles.



**ADVERTENCIA:** No toque nunca ninguna pieza metálica del compresor que esté al descubierto durante o inmediatamente después de su utilización. El compresor permanecerá caliente durante varios minutos después de utilizarlo. No ponga las manos alrededor de las cubiertas protectoras ni intente realizar mantenimiento hasta que se haya dejado que la unidad se enfríe.



**PRECAUCIÓN:** El compresor es demasiado pesado para ser levantado por una sola persona. Obtenga ayuda de otras personas antes de levantarlo.

## TRASLADO DEL COMPRESOR

- Agarre el asa del compresor e incline el compresor hacia atrás para que descance sobre las ruedas.
- Cuando se llegue a la ubicación deseada, baje lentamente el compresor hasta el piso. Almacene siempre el compresor en posición vertical, de manera que descance sobre las defensas de caucho y las ruedas.
- Cuando transporte el compresor en un vehículo, remolque, etc., asegúrese de que se haya drenado el tanque y la unidad esté firmemente sujeta con correas para impedir que vuelque. Tenga cuidado cuando conduzca para evitar volcar la unidad en el vehículo. El compresor o los objetos que lo rodean pueden sufrir daños si el compresor vuelca. No lo levante por la cubierta protectora.



**ADVERTENCIA:** Riesgo de funcionamiento inseguro. Asegure un apoyo apropiado de los pies y tenga precaución cuando haga rodar el compresor, para que la unidad no vuelque ni cause una pérdida de equilibrio.

# Información de seguridad (continuación)

## SEGURIDAD DEL COMPRESOR DE AIRE Y LAS HERRAMIENTAS NEUMÁTICAS

- Mantenga los compresores lo más alejado posible del área de rociado: por lo menos a 15 pies (0.4 m) del área de rociado y de todos los vapores explosivos.
- Si la unidad se conecta a un circuito protegido por fusibles, utilice fusibles de acción retardada con este producto.
- Asegúrese de que la manguera esté libre de obstrucciones o enredos. Las mangueras enredadas u obstruidas pueden causar pérdida de equilibrio o del apoyo de los pies, y pueden resultar dañadas.
- Utilice el compresor de aire sólo para el uso para el cual está diseñado. No altere ni modifique la unidad respecto al diseño o la función original. No suelde nunca el tanque de aire ni taladre agujeros en él.
- No deje nunca una herramienta desatendida con la manguera de aire instalada.
- No utilice esta herramienta si no contiene una etiqueta de advertencia legible.
- No continúe utilizando una herramienta o manguera que tenga fugas de aire o que no funcione apropiadamente.
- No intente jalar ni transportar el compresor de aire por la manguera.
- Es posible que su herramienta requiera más consumo de aire del que este compresor de aire es capaz de suministrar.
- No dirija nunca un chorro de aire comprimido hacia personas o animales.
- Protéjase los pulmones. Use una careta o una máscara antipolvo si la operación genera polvo.
- No utilice este compresor de aire para rociar productos químicos. Los pulmones podrían sufrir daños al inhalar vapores tóxicos. Es posible que se necesite un respirador en entornos polvorientos o cuando se rocíe pintura.
- Este compresor está equipado con un protector contra sobrecargas térmicas que apagará el motor si éste se sobrecalienta.



**ADVERTENCIA:** No intente modificar esta herramienta ni crear accesorios no recomendados para el uso con esta herramienta. Cualquier alteración o modificación de este tipo constituye un uso incorrecto y podría dar lugar a una situación peligrosa que cause posibles lesiones corporales graves.



**PRECAUCIÓN:** No use el compresor en un ambiente que sea polvoriento o que esté contaminado de alguna otra manera. La utilización del compresor de aire en este tipo de ambiente puede causar daños a la unidad.



**PRECAUCIÓN:** Riesgo de reventón. No ajuste el regulador para producir una presión de salida mayor que la presión máxima marcada para el aditamento. No utilice la unidad a una presión mayor que la presión nominal máxima de este compresor. Si la unidad se conecta a un circuito protegido por fusibles, utilice fusibles de acción retardada con este producto.



**PRECAUCIÓN:** Para reducir el riesgo de descargas eléctricas, no exponga el compresor a la lluvia. Almacénelo en un lugar interior.

# Información de seguridad (continuación)

## SEGURIDAD ELÉCTRICA (CABLES DE EXTENSIÓN)

- Utilice únicamente cordones de extensión de 3 alambres que tengan enchufes de conexión a tierra de 3 terminales y tomacorrientes de 3 polos que acepten el enchufe del producto. Cuando utilice una herramienta eléctrica a una distancia considerable de la fuente de alimentación, utilice un cordón de extensión lo suficientemente pesado como para llevar la corriente que el producto consumirá. Un cordón de extensión de tamaño insuficiente causará una caída de la tensión de la línea, lo cual producirá una pérdida de potencia y hará que el motor se sobrecaliente.
- Use el cuadro provisto más abajo para determinar el tamaño de alambre mínimo que se requiere en un cordón de extensión. Sólo se deberían usar cordones de extensión forrados redondos homologados por Underwriter's Laboratories (UL).
- Utilice únicamente cordones de extensión forrados redondos de 50 pies o menos homologados por Underwriter's Laboratories (UL).
- Cuando utilice una herramienta eléctrica a la intemperie, use un cordón de extensión para intemperie marcado con las letras "W-A" o "W". Estos cordones tienen capacidad nominal para uso a la intemperie y reducen el riesgo de descargas eléctricas.



**ADVERTENCIA:** Cuando utilice un cordón de extensión, manténgalo alejado del área de trabajo. Posicione dicho cordón de manera que no resulte atrapado en madera de construcción, herramientas u otras obstrucciones mientras usted esté trabajando con una herramienta eléctrica. Si no se hace esto, el resultado puede ser lesiones corporales graves.



**ADVERTENCIA:** Compruebe los cordones de extensión antes de cada uso. Si están dañados, reemplácelos de inmediato. No utilice nunca el compresor de aire con un cordón de extensión dañado, ya que tocar el área dañada podría causar descargas eléctricas y producir lesiones corporales graves.



**ADVERTENCIA:** Si el conductor de conexión a tierra del equipo se conecta incorrectamente, el resultado puede ser un riesgo de descargas eléctricas.



**PRECAUCIÓN:** Evite el contacto del cuerpo con las superficies conectadas a tierra, tales como tuberías, radiadores, estufas de cocina y refrigeradores. Existe un mayor riesgo de descargas eléctricas si el cuerpo del operador está conectado a tierra.



**PRECAUCIÓN:** No exponga las herramientas eléctricas a la lluvia o a condiciones húmedas. La entrada de agua en una herramienta eléctrica aumentará el riesgo de descargas eléctricas.



**PRECAUCIÓN:** Reemplace de inmediato los cables de alimentación y el cableado. Los cables de alimentación y el cableado dañados aumentan el riesgo de descargas eléctricas.

**AVISO:** Use mangueras de aire más largas en lugar de cordones de extensión largos. Su compresor de aire funcionará mejor y durará más.

Amperaje nominal (en la placa de datos del compresor de aire)	
	14-16
Longitud del cordón de extensión	Tamaño de alambre (AWG)
25 pies	16
50 pies	12
Utilizado en un circuito de calibre 12 de 20 A.	
NOTA: AWG = American Wire Gauge (calibre de alambre estadounidense)	

# Información de seguridad (continuación)

## ELECTRICAL SAFETY (CONEXIÓN ELÉCTRICA)

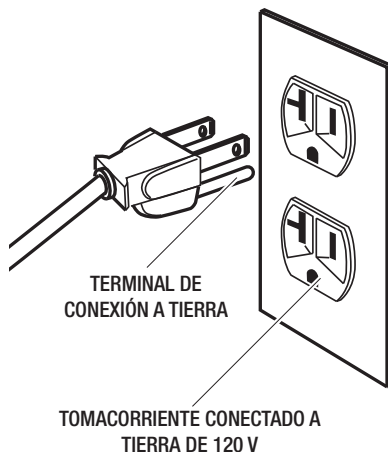
- Este compresor de aire está accionado por un motor eléctrico construido con precisión. Se deberá conectar a una fuente de alimentación que sea de 120 V, 60 Hz, CA solamente (corriente doméstica normal).
- No utilice esta herramienta con corriente continua (CC). Una caída sustancial de tensión causará una pérdida de potencia y el motor se sobrecalentará. Si el compresor de aire no funciona cuando esté enchufado en un tomacorriente, compruebe de nuevo la fuente de alimentación..

## ELECTRICAL SAFETY (VELOCIDAD Y CABLEADO)

- La velocidad sin carga de este producto es aproximadamente 1,700 rpm. Esta velocidad no es constante y disminuye bajo carga o con una tensión más baja.
- Para la tensión, el cableado en un taller es tan importante como la capacidad nominal en caballos de fuerza del motor. Una línea diseñada sólo para luces no puede alimentar apropiadamente el motor de una herramienta eléctrica. Un cable que sea lo suficientemente pesado para una distancia corta será demasiado ligero para una distancia mayor. Es posible que una línea que pueda mantener el consumo de una herramienta eléctrica no sea capaz de mantener el consumo de dos o tres productos.

## ELECTRICAL SAFETY (INSTRUCCIONES DE CONEXIÓN A TIERRA)

- Este producto se debe conectar a tierra. En el caso de un cortocircuito, la conexión a tierra reduce el riesgo de descargas eléctricas al proporcionar un cable de escape para la corriente eléctrica. Este producto está equipado con un cable de conexión a tierra con un enchufe de conexión a tierra apropiado. El enchufe se debe enchufar en un tomacorriente que esté instalado y conectado a tierra apropiadamente de acuerdo con todos los códigos y ordenanzas locales.



**ADVERTENCIA:** La instalación incorrecta del enchufe de conexión a tierra causará un riesgo de descargas eléctricas. Si es necesario reparar o reemplazar el cable de alimentación o el enchufe, no conecte el cable de conexión a tierra a ninguno de los dos terminales de hoja plana. El cable con aislamiento que tiene una superficie exterior de color verde con o sin franjas amarillas es el cable de conexión a tierra.

- Sustitución de la palabra "Peligro" para la "ADVERTENCIA" no es prohibido cuando el riesgo asociado con el producto es tal que existe una situación que si no se evita resultará en muerte o lesiones graves.
- Consulte a un electricista calificado o a personal de servicio calificado si estas instrucciones no se entienden completamente o en caso de duda acerca de si la herramienta está conectada a tierra apropiadamente.
- No modifique el enchufe suministrado; si el enchufe no encaja en el tomacorriente, haga que un electricista calificado instale el tomacorriente apropiado.
- Este producto está diseñado para utilizarse en un circuito de 120 V nominales y tiene un enchufe de conexión a tierra similar al enchufe que se muestra más abajo. Conecte el producto solamente a un tomacorriente que tenga la misma configuración que el enchufe. No utilice un adaptador con este producto.

## **GARANTÍA LIMITADA**

### **QUÉ ESTÁ CUBIERTO**

El fabricante garantiza al comprador minorista original que este producto está libre de defectos de material y de fabricación, y acuerda reparar o reemplazar, a discreción del fabricante, cualquier producto defectuoso, sin cargo alguno, dentro de estos períodos de tiempo a partir de la fecha de compra.

Esta garantía está válida por 3 años.

Esta garantía se extiende solamente al comprador minorista original y comienza en la fecha de la compra minorista original.

Cualquier pieza del producto fabricada o suministrada por el fabricante y que se compruebe, a juicio razonable del fabricante, que presenta defectos de material o de fabricación, será reparada o reemplazada por un distribuidor de servicio autorizado sin cargo alguno por piezas ni mano de obra.

El producto, incluyendo cualquier pieza defectuosa, debe ser devuelto a un distribuidor de servicio autorizado dentro del periodo de garantía. El gasto de enviar el producto del fabricante al distribuidor para realizar trabajo bajo garantía y el gasto de devolverlo al propietario después de su reparación o reemplazo serán pagados por el propietario. La responsabilidad del fabricante en relación con los reclamos está limitada a hacer las reparaciones o reemplazos requeridos y ningún reclamo de incumplimiento de la garantía será causa de cancelación o rescisión del contrato de venta de cualquiera de los productos del fabricante. El distribuidor requerirá un comprobante de compra para sustanciar cualquier reclamo bajo garantía. Todo el trabajo bajo garantía debe ser realizado por un distribuidor de servicio autorizado.

### **QUÉ NO ESTÁ CUBIERTO**

Esta garantía no cubre ninguno de los productos del fabricante que haya sido sometido a uso incorrecto, descuido, negligencia o accidente, o que haya sido utilizado de cualquier manera contraria a las instrucciones de utilización, tal y como se especifica en este manual. Esta garantía no se aplica a ningún daño al producto del fabricante que sea el resultado de un mantenimiento inapropiado o a cualquier producto del fabricante que haya sido alterado o modificado. La garantía no se extiende a las reparaciones hechas necesarias por el desgaste normal o por el uso de piezas o accesorios que sean incompatibles con el producto del fabricante o que afecten adversamente su funcionamiento, rendimiento o durabilidad.

El fabricante se reserva el derecho a cambiar o mejorar el diseño de cualquier producto sin asumir ninguna obligación de modificar cualquier producto fabricado previamente. Todas las garantías implícitas están limitadas en duración al periodo de garantía indicado. Por consiguiente, cualquiera de dichas garantías implícitas, incluyendo las de comerciabilidad, idoneidad para un propósito específico o de otro tipo, queda denegada en su totalidad después del vencimiento del periodo de garantía apropiado. La obligación del fabricante bajo esta garantía está limitada estricta y exclusivamente a la reparación o el reemplazo de las piezas defectuosas, y el fabricante no asume ni autoriza a nadie a asumir por ello ninguna otra obligación. Algunos estados no permiten limitaciones en relación a cuánto tiempo dura una garantía implícita, por lo cual es posible que la limitación que antecede no tenga aplicación en el caso de usted. El fabricante no asume ninguna responsabilidad por daños incidentales u emergentes ni por otros daños, incluyendo pero sin limitarse al gasto de devolver el producto del fabricante a un distribuidor de servicio autorizado y el gasto de enviarlo de vuelta al propietario, el tiempo de viaje del mecánico, los cargos telefónicos o de telegramas o el alquiler de un producto similar durante el tiempo en que se realice servicio de ajustes y reparaciones bajo garantía, viaje, pérdida o daños a bienes materiales, pérdida de ingresos, pérdida de uso del producto, pérdida de tiempo o inconveniencia. Algunos estados no permiten la exclusión ni la limitación de los daños incidentales o emergentes, por lo que es posible que la limitación o exclusión que antecede no tenga aplicación en el caso de usted.

Esta garantía le confiere a usted derechos legales específicos y es posible que usted tenga también otros derechos, los cuales varían de un estado a otro.

Contacte al Equipo de Servicio al Cliente llamando al 1-888-43-HUSKY o visite [www.huskytools.com](http://www.huskytools.com).

# Preutilización

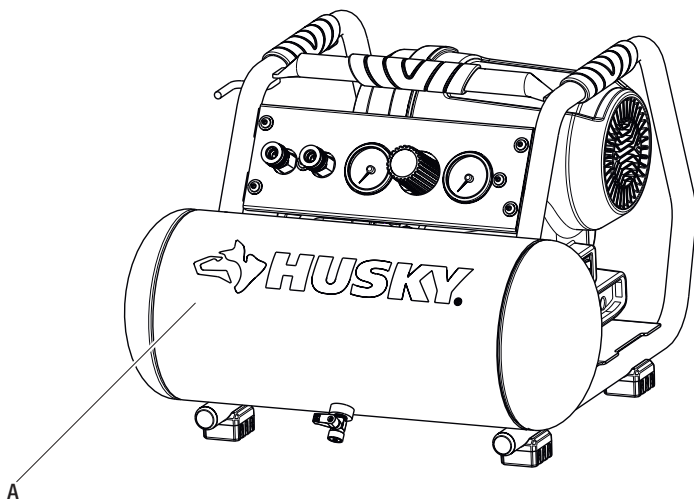
## ESPECIFICACIONES

Potencia de funcionamiento	1.7 HP
Capacidad del tanque de aire	15.1 L
Presión de aire	225 psi máx
Suministro de aire	6.8 PCEM a 40 psi
	5.1 PCEM a 90 psi
Tiempo de llenado del tanque	1.75 minutos
Presión de conexión	175 psi
Presión de desconexión	225 psi
Lubricación	Libre de aceite
Entrada	120 V, 60 Hz, monofásico CA solamente, 15 A
Requisito mínimo del circuito derivado	15 A
Tipo de fusible	De acción retardada
Peso neto	25 kg

## CICLO DE SERVICIO

Esta bomba de compresor de aire es capaz de funcionar continuamente. Sin embargo, para prolongar la vida útil del su compresor de aire, se recomienda mantener un ciclo de servicio promedio del 50%; es decir, la bomba del compresor de aire no debería funcionar más de 30 minutos en cualquier hora dada.

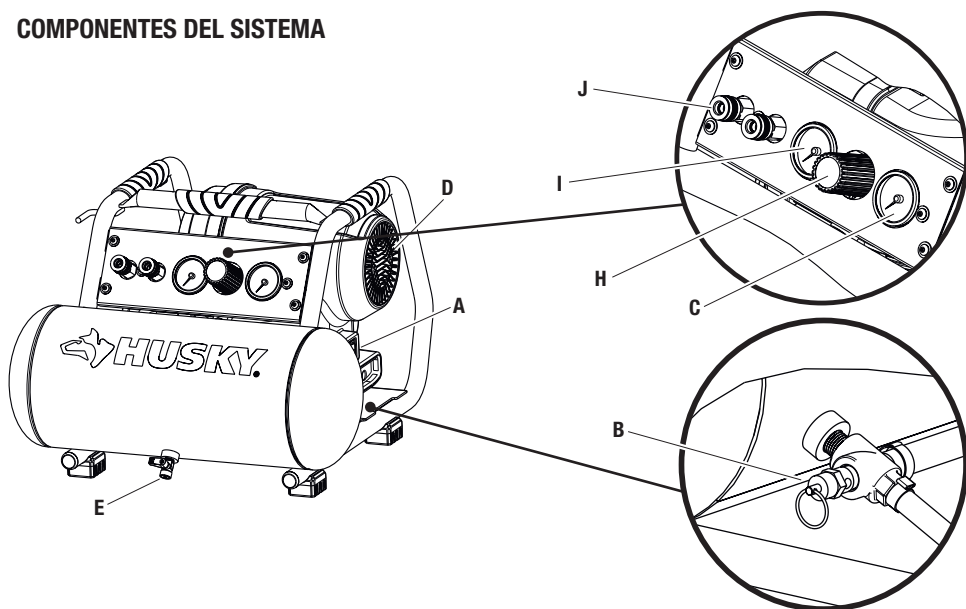
## CONTENIDO DEL PAQUETE



Pieza	Descripción	Cantidad
A	Unidad de compresor de aire (completamente ensamblada)	1

# Preutilización (continuación)

## COMPONENTES DEL SISTEMA



Pieza	Descripción
A	<b>Interruptor de ENCENDIDO (I) y APAGADO (O):</b> Ponga este interruptor en la posición de “ENCENDIDO (I)” para proporcionar alimentación eléctrica automática al interruptor de presión, y en la posición de “APAGADO (O)” para desconectar la alimentación eléctrica al final de cada uso.
B	<b>Válvula de seguridad:</b> Si el interruptor de presión no apaga el compresor de aire en su ajuste de presión de “desconexión”, la válvula de seguridad protegerá contra la alta presión al “desplegarse” a su presión ajustada en la fábrica (ligeramente más alta que el ajuste de “desconexión” del interruptor de presión).
C	<b>Manómetro del tanque:</b> El manómetro del tanque indica la presión del aire de reserva en el tanque.
D	<b>Bomba del compresor de aire:</b> Comprime el aire en el interior del tanque. El aire de trabajo no está disponible hasta que el compresor haya subido la presión del tanque de aire por encima de la presión requerida en la salida de aire.
E	<b>Válvula de drenaje:</b> La válvula de drenaje está ubicada en la base del tanque de aire y se utiliza para drenar la condensación al final de cada uso.
F	<b>Válvula de retención: (no mostrado)</b> Cuando el compresor de aire está funcionando, la válvula de retención está “abierta”, con lo cual se permite que el aire comprimido entre al tanque de aire. Cuando el compresor de aire alcanza la presión de “desconexión”, la válvula de retención “se cierra”, con lo cual se permite que permanezca presión de aire dentro del tanque de aire.
G	<b>Restablecimiento después de una sobrecarga térmica: (no mostrado)</b> Este motor tiene un protector manual contra sobrecargas térmicas. Si el motor se sobrecalienta por cualquier motivo, el protector contra sobrecargas lo apagará. Se debe dejar que el motor se enfríe antes de rearmarlo. Para rearmarlo: <ol style="list-style-type: none"> <li>1. Coloque el interruptor ON / OFF en la posición (O) “OFF”.</li> <li>2. Desconecte el compresor de aire y esperar a que el compresor se enfríe.</li> <li>3. Enchufe el compresor de aire que entra y salida de aprobado.</li> <li>4. Coloque el interruptor ON / OFF en la posición “ON” (I) para reiniciar el motor.</li> </ol>
H	<b>Regulador:</b> Válvula que se utiliza para asegurar que la presión del tanque nunca alcance niveles inseguros. También permite al usuario ajustar la presión que sale del tanque para que coincida con la que se necesite para la tarea.



## Preutilización (continuación)

Pieza	Descripción
I	<b>Manómetro del regulador de presión:</b> Manómetro que indica la cantidad de presión que el regulador está suministrando a la herramienta.
J	<b>Conexiones rápidas:</b> Acoplamientos que están diseñados para aceptar una manguera que permita que se libere presión para el uso de herramientas.

### COLOCACIÓN DEL COMPRESOR DE AIRE

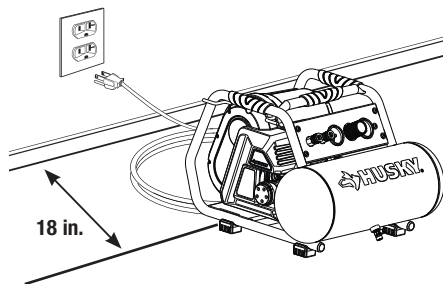


**ADVERTENCIA:** Si alguna pieza está dañada o falta, no utilice este producto hasta que se hayan reemplazado las piezas necesarias. Si no se hace caso de esta advertencia, el resultado podría ser lesiones corporales graves.



**PRECAUCIÓN:** No utilice el compresor en un ambiente que sea polvoriento o que esté contaminado de alguna otra manera. El uso del compresor de aire en este tipo de entorno puede causar daños a la unidad.

**AVISO:** Los tramos largos de cable eléctrico podrían causar pérdida de la potencia suministrada al motor.



- Coloque el compresor en un área limpia, seca y bien ventilada.
- El compresor de aire se debe posicionar por lo menos a 18 pulgadas (0.5 m) de la pared u otras obstrucciones que interferirán con el flujo de aire.
- Ubique el compresor de aire lo más cerca que sea posible de la fuente de alimentación principal, para evitar usar tramos largos de cableado eléctrico.
- El filtro de aire se debe mantener despejado de obstrucciones que podrían reducir el flujo de aire al compresor de aire.

# Preutilización (continuación)

## INSTALACIÓN DE LA MANGUERA



**ADVERTENCIA:** No intente modificar este producto ni crear accesorios no recomendados para el uso con este producto. Cualquier alteración o modificación de este tipo constituye un uso incorrecto y podría dar lugar a una situación peligrosa que cause posibles lesiones corporales graves.



**ADVERTENCIA:** No instale el inflador ni otra herramienta en el extremo abierto de la manguera hasta que se haya completado la preparación para el arranque.



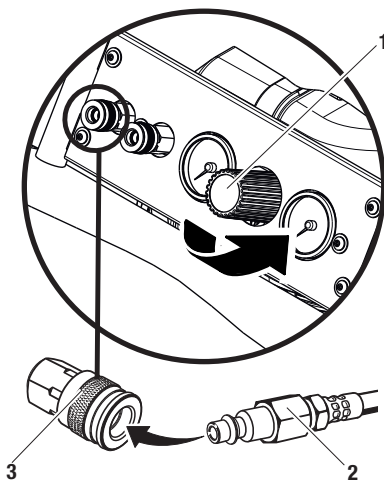
**ADVERTENCIA:** No deje que la familiaridad con los productos le haga descuidarse. Recuerde que una fracción de segundo de descuido es suficiente para infligir lesiones graves.



**ADVERTENCIA:** Use siempre anteojos de seguridad o gafas de seguridad con protectores laterales cuando utilice herramientas eléctricas. Si no lo hace, el resultado podría ser que se arrojen objetos hacia los ojos y causen posibles lesiones graves.

El compresor está ensamblado en la fábrica y listo para utilizarse. Compruebe todos los componentes para asegurarse de que el ensamblaje sea seguro (como por ejemplo: pies de caucho, ruedas, asa, conectores rápidos, manómetros, válvula de seguridad, filtro de aire, válvula de drenaje, etc.).

- Asegúrese de que la alimentación eléctrica al compresor de aire esté desconectada.
- Aplique cinta para roscas a las conexiones roscadas de la manguera (no incluida) e instale el acoplador rápido en la manguera utilizando una llave de tuerca (no incluida).
- Aplique la cinta para roscas a las conexiones roscadas del conector macho e instale el conector macho en la manguera utilizando una llave de tuerca.
- Rote el pomo del regulador de presión (1) completamente en sentido contrario al de las agujas del reloj.
- Inserte el extremo de la manguera de aire que tiene el adaptador de manguera (2) en el extremo del acoplador hembra ubicado en el compresor de aire (3).



## 1 Preparación para el arranque



**ADVERTENCIA:** Riesgo de funcionamiento inseguro. Agarre firmemente la manguera de aire con la mano cuando instale o desconecte la unidad para evitar que la manguera dé latigazos.



**ADVERTENCIA:** Riesgo de funcionamiento inseguro. No utilice accesorios dañados o desgastados.



**ADVERTENCIA:** Riesgo de reventón. Una presión de aire excesiva causa un riesgo peligroso de reventón. Compruebe la capacidad de presión nominal máxima del fabricante para herramientas de aire y accesorios de aire. La presión de la salida del regulador no debe exceder nunca la capacidad de presión nominal máxima.

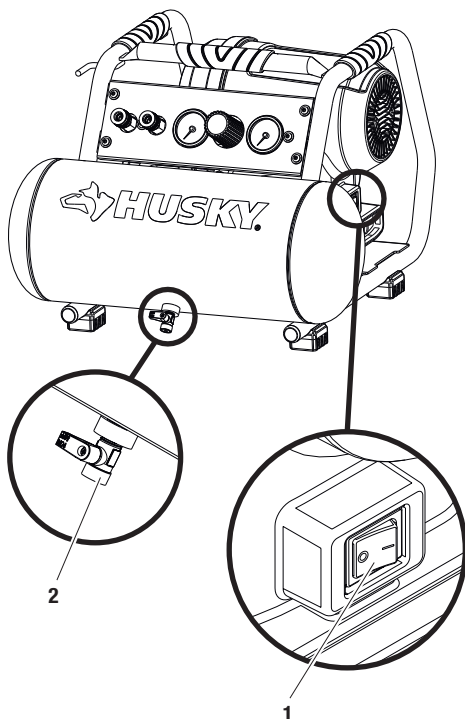


**PRECAUCIÓN:** Riesgo de funcionamiento inseguro. El aire comprimido procedente de la unidad puede contener condensación de agua y niebla de aceite. No rocíe aire sin filtrar a un objeto que podría ser dañado por la humedad. Puede que algunas herramientas de aire y algunos accesorios de aire requieran aire filtrado. Lea las instrucciones para las herramientas de aire y los accesorios de aire.



**NOTA:** Se DEBE instalar un regulador cuando se utilicen accesorios con una capacidad nominal de menos de 150 psi. La manguera o el accesorio requerirá un conector rápido si la salida de aire está equipada con un receptáculo de conexión rápida.

- Ponga el interruptor de ENCENDIDO (I) y APAGADO (O) (1) en la posición de apagado.
- Cierre la válvula de drenaje (2).
- Cierre la salida de descarga de aire.



## 2 Arranque del compresor

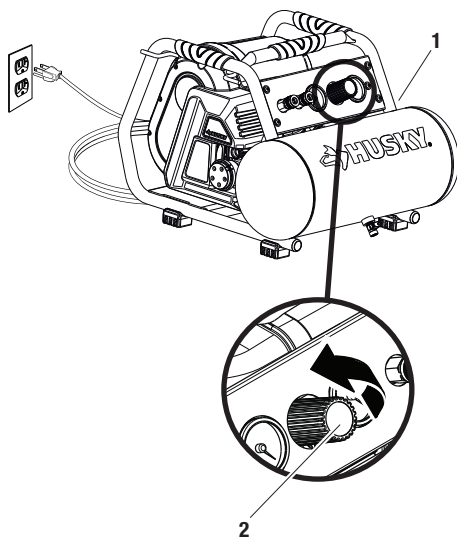


**ADVERTENCIA:** Riesgo de reventón. Si se nota cualquier ruido o vibración inusual, pare de inmediato el compresor de aire y haga que sea revisado por un técnico de servicio capacitado.



**NOTA:** Cuando utilice el regulador y otros accesorios, consulte las instrucciones del fabricante.

- Enchufe el cable de alimentación en un tomacorriente apropiado.
- Ponga el interruptor de ENCENDIDO (I) y APAGADO (O) (1) en la posición de encendido y deje que se acumule presión en el tanque. El motor se detendrá cuando la presión del tanque alcance la presión de “desconexión”.
- Ajuste el regulador (2) a un valor de psi que sea necesario para la aplicación que usted desea realizar. Asegúrese de que esté dentro de los estándares de seguridad requeridos para realizar la tarea.



### 3 Comprobación de la válvula de seguridad

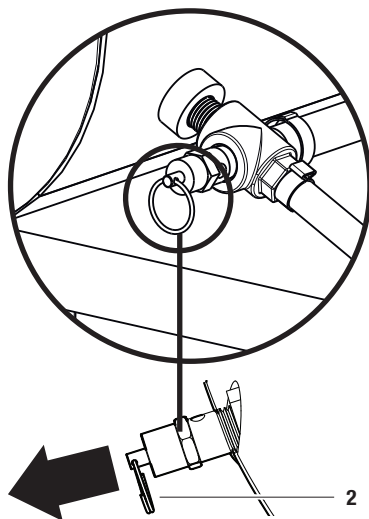
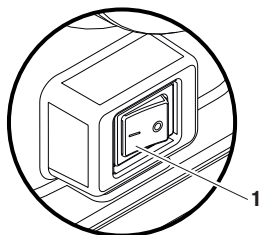


**PELIGRO:** No manipule indebidamente la válvula de seguridad. Los elementos que se aflojen de este dispositivo podrían salir volando y golpearle a usted. Si no se hace caso de esta advertencia, el resultado podría ser la muerte o lesiones corporales graves. La válvula de seguridad deja escapar aire automáticamente cuando la presión del receptor excede el máximo preajustado. Compruebe la válvula antes de cada día de uso, jalando el anillo con la mano.



**ADVERTENCIA:** Si hay alguna fuga de aire después de liberar el anillo de la válvula de seguridad o si la válvula se atora, no utilice el compresor de aire hasta que la válvula de seguridad haya sido reemplazada. La utilización del compresor de aire en esta situación podría causar lesiones corporales graves.

- Ponga el interruptor de ENCENDIDO (I) y APAGADO (O) (1) en la posición de encendido y espere a que el tanque se llene. El compresor se apagará automáticamente cuando la presión alcance el máximo prefijado.
- Ponga el interruptor de ENCENDIDO (I) y APAGADO (O) (1) en la posición de apagado.
- Jale el anillo ubicado en la válvula de seguridad (2) durante 20 segundos para dejar que el aire escape.
- Suelte el anillo. El aire deja de escapar aproximadamente a 20 psi. Si continúa escapando aire después de soltar el anillo de la válvula de seguridad, suspenda el uso y obtenga servicio de ajustes y reparaciones antes de usar de nuevo el compresor de aire.



## 4 Utilización del compresor de aire



**ADVERTENCIA:** Asegúrese siempre de que el interruptor esté en la posición de APAGADO y que el manómetro del regulador dé una lectura de cero antes de cambiar las herramientas de aire o desconectar la manguera de la salida de aire. Si no se hace así, el resultado podría ser posibles lesiones corporales graves.

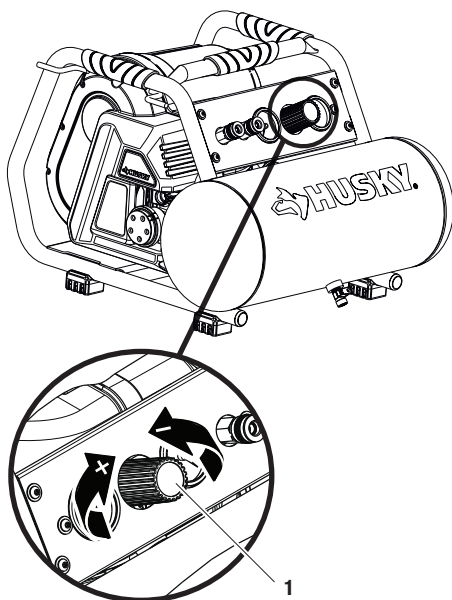


**ADVERTENCIA:** Es posible que su herramienta requiera más consumo de aire del que este compresor es capaz de suministrar. Consulte el manual de la herramienta para evitar daños a la misma o correr el riesgo de sufrir lesiones corporales.



**NOTA:** Use siempre la cantidad mínima de flujo de aire con el pomo del regulador de presión. El uso de una presión más alta de lo necesario drenará aire del tanque más rápidamente y hará que la unidad cycle más frecuentemente.

- Rote el pomo del regulador de presión (1) hasta la presión de línea deseada. Al girar el pomo en el sentido de las agujas del reloj (+) se aumenta la presión de aire en la salida; al girarlo en sentido contrario al de las agujas del reloj (-) se reduce la presión de aire en la salida.
- Si se utiliza un accesorio de inflado, controle la cantidad de flujo de aire con el pomo del regulador de presión (1). Al girar el pomo completamente en sentido contrario al de las agujas del reloj se detendrá por completo el flujo de aire.
- Cuando haya acabado, drene siempre el tanque y desenchufe la unidad. No deje nunca la unidad enchufada y/o funcionando desatendida.



## 5 Drenaje del tanque



**ADVERTENCIA:** Riesgo de funcionamiento inseguro. Los tanques de aire contienen aire a alta presión. Mantenga la cara y otras partes del cuerpo alejadas de la salida del drenaje. Use protección ocular [ANSI Z87.1 (CAN/CSA Z94.3)] cuando realice el drenaje, ya que los residuos pueden ser arrojados hacia arriba hasta la cara.



**ADVERTENCIA:** Riesgo por causa del ruido. Use protección de oídos (ANSI S12.6 (S3.19), ya que el ruido del flujo de aire es elevado cuando se realiza el drenaje.



**ADVERTENCIA:** Riesgo de reventón. Se condensará agua en el tanque de aire. Si no se drena, el agua corroerá y debilitará el tanque de aire, lo cual causará un riesgo de rotura de dicho tanque.



**NOTA:** Todos los sistemas de aire comprimido generan condensación que se acumula en cualquier punto de drenaje (por ej., tanques, filtro, posesfriadores y secadores). Esta condensación contiene aceite y/o sustancias lubricantes que pueden estar regulados y se deben eliminar de acuerdo con las leyes y los reglamentos locales, estatales y federales.

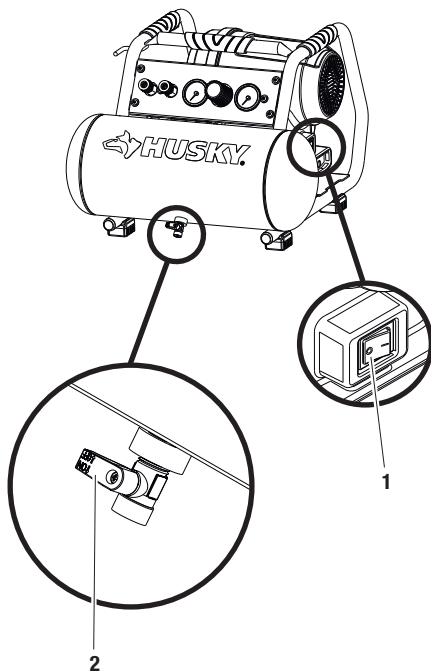


**NOTA:** Si la válvula de drenaje está obstruida, deje escapar toda la presión de aire. Una vez hecho esto, la válvula se puede retirar, limpiar y reinstalar.



**NOTA:** Riesgo de daños materiales. El agua de drenaje del tanque puede contener aceite y herrumbre que pueden causar manchas.

- Ponga el interruptor de ENCENDIDO (I) y APAGADO (O) (1) en la posición de apagado.
- Purgue lentamente el aire del tanque del compresor jalando la válvula de seguridad para dejar que la presión escape del tanque hasta que sea aproximadamente 20 psi.
- Drene el agua del tanque abriendo la válvula de drenaje (2) ubicada en la parte inferior del tanque.
- Después de haber drenado el tanque de agua, cierre la válvula de drenaje (2). Una vez hecho esto, se puede almacenar el compresor.



## MANTENIMIENTO GENERAL

- Cuando hay humedad en el aire, se forma condensación en el tanque. Dependiendo de las condiciones ambientales, drene la condensación diariamente y/o cada hora. Para obtener instrucciones, consulte “Drenaje del tanque” en la página 16.
- La válvula de seguridad deja escapar automáticamente aire cuando la presión del receptor excede el máximo prefijado.
- Inspeccione anualmente el tanque para determinar si tiene corrosión, agujeros pequeños u otras imperfecciones que podrían hacer que se vuelva inseguro.
- Evite usar solventes cuando limpie piezas de plástico. La mayoría de los plásticos son susceptibles a sufrir daños por causa de diversos tipos de solventes comerciales y pueden resultar dañados por el uso de éstos.
- Use paños limpios para quitar la suciedad, el polvo, el aceite, la grasa, etc.



**ADVERTENCIA:** Cuando haga servicio de ajustes y reparaciones, utilice únicamente piezas de repuesto idénticas. El uso de cualquier otra pieza puede crear un peligro o causar daños al producto.



**ADVERTENCIA:** Deje escapar siempre toda la presión, desconecte el compresor de aire de la fuente de alimentación y deje que se enfríe al tacto antes de limpiarlo o repararlo.



**ADVERTENCIA:** No deje en ningún momento que los líquidos de freno, la gasolina, los productos a base de petróleo, etc., entren en contacto con las piezas de plástico. Los productos químicos pueden dañar, debilitar o destruir el plástico, lo cual puede causar lesiones corporales graves. Las herramientas eléctricas utilizadas en material de fibra de vidrio, tablas de fibra prensada, compuestos para resanar o yeso están sujetos a desgaste acelerado y posible falla prematura debido a que los fragmentos y las amoladuras de fibra de vidrio son sumamente abrasivos para los cojinetes, las escobillas, los conmutadores, etc. Por consiguiente, no recomendamos usar esta herramienta para realizar trabajo prolongado en estos tipos de materiales. Sin embargo, si usted trabaja con cualquiera de estos materiales, es sumamente importante que limpie la herramienta utilizando aire comprimido.

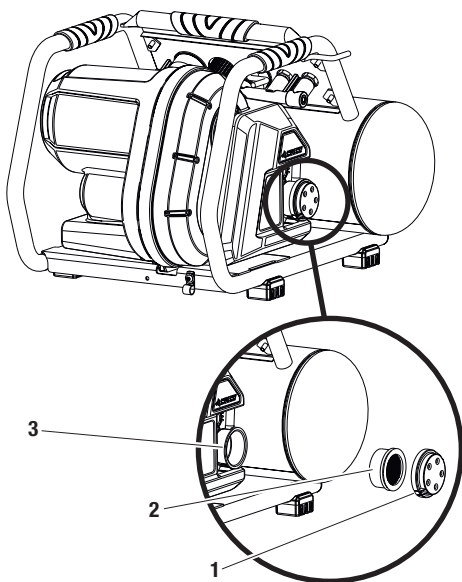
## LUBRICACIÓN

Todos los cojinetes de esta herramienta están lubricados con una cantidad suficiente de lubricante de alta calidad para la vida útil de la unidad en condiciones de funcionamiento normales. Por lo tanto, no se requiere lubricación adicional de los cojinetes.

## LIMPIEZA DEL FILTRO DE AIRE

De vez en cuando es necesario retirar y limpiar el filtro de aire.

- APAGUE el compresor de aire ( 0 ).
- Desenchufe el compresor de aire.
- Desacople la cubierta del filtro de aire (1) para retirarla.
- Retire el filtro de aire (2) de la carcasa del filtro de aire (3).
- Sople aire comprimido a través del filtro de aire durante 10-15 segundos.
- Todo servicio distinto del mantenimiento general debe ser realizado por un representante de servicio autorizado.



## Cuidado y limpieza

- Drene el tanque de aire para eliminar la humedad después de la utilización.
- Cuando no esté usando el compresor, almacénelo en un lugar fresco y seco.
- Desconecte la manguera de aire y cuelgue los extremos abiertos hacia abajo para dejar que la humedad drene.
- Proteja el cable eléctrico y las mangueras de aire de daños (tales como ser pisoteados o pasados por encima). Enróllelos en forma floja, aire-dedor de la manija del compresor.



# Resolución de problemas

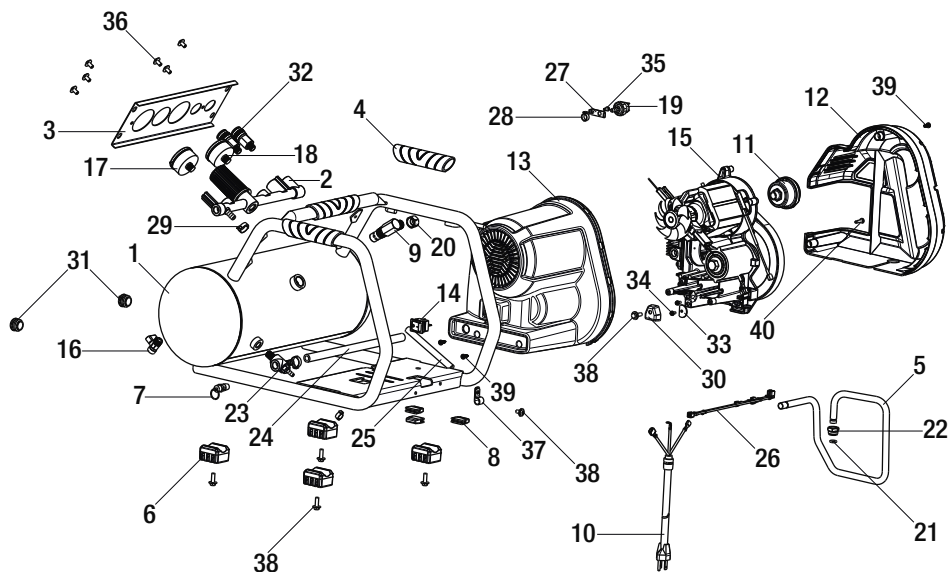
Problema	Causa posible	Solución
El compresor no funciona.	<input type="checkbox"/> Hay una pérdida de potencia o el motor está sobrecalentado.	<input type="checkbox"/> Compruebe que el uso del cordón de extensión es apropiado.
	<input type="checkbox"/> No hay alimentación eléctrica a la unidad.	<input type="checkbox"/> Asegúrese de que la unidad está enchufada.
	<input type="checkbox"/> Ha saltado el cortacircuito o se ha fundido un fusible en la fuente de alimentación principal.	<input type="checkbox"/> Compruebe el fusible/cortacircuito.
	<input type="checkbox"/> El protector contra sobrecargas térmicas está accionado.	<input type="checkbox"/> APAGUE el compresor de aire (O).
		<input type="checkbox"/> Enchufe el compresor de aire en un tomacorriente aprobado.
		<input type="checkbox"/> Plug the air compressor into an approved outlet.
<input type="checkbox"/> ENCIENDA el compresor de aire (I).	<input type="checkbox"/> Lleve el compresor de aire a un centro de servicio.	
<input type="checkbox"/> El interruptor de presión está en mal estado.	<input type="checkbox"/> Deje escapar el aire del tanque hasta que el compresor re arranque automáticamente.	
El motor emite un zumbido mientras funciona lentamente o no funciona en absoluto.	<input type="checkbox"/> La tensión procedente de la fuente de alimentación original es baja.	<input type="checkbox"/> Llame a un electricista.
	<input type="checkbox"/> Se está usando un alambre de calibre incorrecto o una longitud del cordón de extensión incorrecta.	<input type="checkbox"/> Compruebe si el alambre tiene el calibre apropiado y si la longitud del cordón de extensión es apropiada.
	<input type="checkbox"/> Hay un cable del motor en cortocircuito o abierto.	<input type="checkbox"/> Lleve el compresor a un centro de servicio.
	<input type="checkbox"/> Hay una válvula de retención o un descargador en estado defectuoso.	<input type="checkbox"/> Lleve el compresor a un centro de servicio.
Los fusibles se funden o el cortacircuito salta repetidamente.	<input type="checkbox"/> Se está usando un tipo de fusible incorrecto.	<input type="checkbox"/> Compruebe si el fusible es apropiado.
		<input type="checkbox"/> Use un fusible de acción retardada. Desconecte otros electrodomésticos del circuito o utilice el compresor en su propio circuito derivado.
	<input type="checkbox"/> Se está usando un alambre de calibre incorrecto o una longitud de cordón de extensión incorrecta.	<input type="checkbox"/> Compruebe si el alambre tiene el calibre apropiado y si la longitud del cordón de extensión es apropiada.
<input type="checkbox"/> Hay una válvula de retención o un descargador en estado defectuoso.	<input type="checkbox"/> Lleve el compresor a un centro de servicio.	

## Resolución de problemas (continuación)

Problema	Causa posible	Solución
El protector contra sobrecargas térmicas desconecta la unidad repetidamente.	<input type="checkbox"/> La tensión procedente de la fuente de alimentación es baja.	<input type="checkbox"/> Llame a un electricista.
	<input type="checkbox"/> Hay una falta de ventilación adecuada o la temperatura del cuarto es demasiado alta.	<input type="checkbox"/> Traslade el compresor a un área bien ventilada.
	<input type="checkbox"/> Se está usando un alambre de calibre incorrecto o una longitud de cordón de extensión incorrecta.	<input type="checkbox"/> Compruebe si el alambre tiene el calibre apropiado y si la longitud del cordón de extensión es apropiada.
La presión del receptor de aire disminuye cuando el compresor se apaga.	<input type="checkbox"/> Las conexiones (acoplamientos, tubos, etc.) están flojas y tienen fugas.	<input type="checkbox"/> Compruebe todas las conexiones con una solución de agua y jabón y apriételas.
	<input type="checkbox"/> La válvula de drenaje está floja o abierta.	<input type="checkbox"/> Apriete la válvula de drenaje.
	<input type="checkbox"/> La válvula de retención tiene fugas.	<input type="checkbox"/> Lleve el compresor a un centro de servicio.
Hay exceso de humedad en el aire de descarga.	<input type="checkbox"/> Hay exceso de agua en el tanque de aire.	<input type="checkbox"/> Drene el tanque.
	<input type="checkbox"/> El compresor está funcionando en un entorno de alta humedad.	<input type="checkbox"/> Traslade el compresor a un área de menos humedad; use un filtro para la línea de aire.
El compresor funciona continuamente.	<input type="checkbox"/> El interruptor de presión está defectuoso.	<input type="checkbox"/> Lleve el compresor de aire a un centro de servicio.
	<input type="checkbox"/> Se está usando una cantidad excesiva de aire.	<input type="checkbox"/> Reduzca el uso de aire; el compresor no es suficientemente grande para el requisito de la herramienta.
La salida de aire es más baja de lo normal.	<input type="checkbox"/> Las válvulas de la entrada están rotas.	<input type="checkbox"/> Lleve el compresor a un centro de servicio.
	<input type="checkbox"/> Las conexiones (acoplamientos, tubos, etc.) están flojas y tienen fugas.	<input type="checkbox"/> Apriete las conexiones.

# Piezas de repuesto

C041H/C041H.C, COMPRESOR DE AIRE



# Piezas de repuesto (continuación)

## C041H/C041H.C, COMPRESOR DE AIRE

Número de artículo	Descripción	Número de pieza
1	Tanque 15,1 l - pintado	E109310
2	Colector, estructura, regulador	E109319
3	Colector, panel, regulador	E109308
4	Toma de agarradera, juego de 3	E109314
5	Tubo de salida	E109309
6	Pie, aislante, juego de 4	E109475
7	Válvula de seguridad	E107851
8	Bomba, aislante, juego de 3	E106622
9	Válvula de retención	E106653
10	Cordón eléctrico	E106629
11	Conjunto, filtro	E106632
12	Caja, izquierda	E109316
13	Caja, derecha	E109317
14	Interruptor, basculante.	E106633
15	Bomba	E109720
16	Válvula, drenaje	E106916
17	Manómetro (tanque)	E107854
18	Manómetro (regulador)	E107855
19	Interruptor de presión	E107852
20	Conjunto, manguito, tuerca 1/2 pulg.	E106641
21	Anillo "o"	E106624
22	Tuerca	E106623
23	Colector	E109322
24	Manguera, 3/8 pulg.	E109320
25	Manguera, 1/4 pulg.t	E109323
26	Conjunto, puente de cable	E109575
27	Soporte	E106634
28	Manguera, abrazadera, .25, Juego de 2	E106648
29	Manguera, abrazadera, .375, Juego de 2	E109321
30	Copela	E106625
31	Bujía, capuchón, juego de 2	E109473
32	Conexión rápida	E107334
33	Arandela	E106657
34	Tornillo autorroscante #8 x .375 mm, Juego de 2	E106643

## Piezas de repuesto (continuación)

### C041H/C041H.C, COMPRESOR DE AIRE

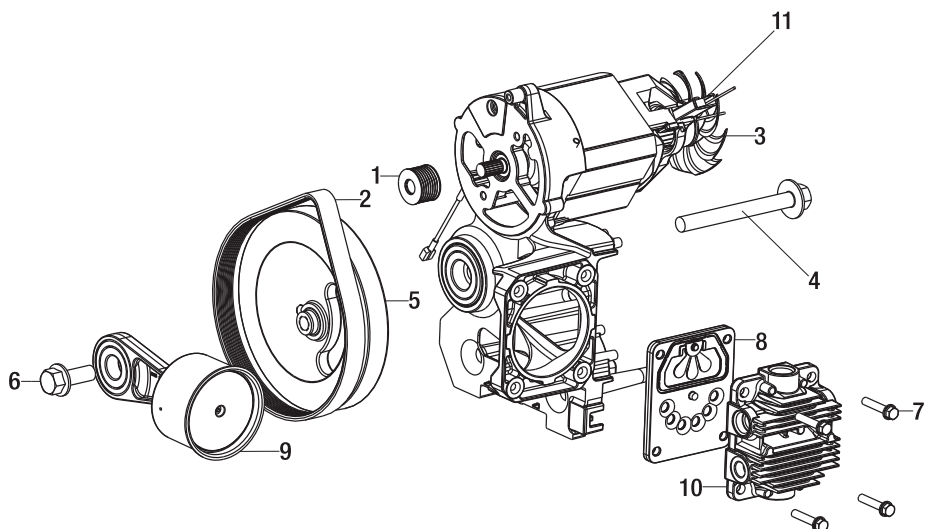
Número de artículo	Descripción	Número de pieza
35	Tornillo #8-16 x .375 mm Plastite	E106638
36	Tornillo.250-20 X .50 mm	E109129
37	Soporte cordón eléctrico	E109472
38	Tornillo.250-20 X .75 mm	E106611
39	Tornillo 10-24 x .563 mm	E106614
40	Tornillo 10-14 t20	E106646
41	Etiqueta / advertencia – drenaje del tanque	E109313
42	Etiqueta / advertencia	E109311
43	Etiqueta / superficie caliente	E109471



**NOTA:** Los campos de número de pieza que no contengan un número no están disponibles. Las descripciones se proporcionan solamente con fines de referencia.

# Piezas de repuesto (continuación)

## ENSAMBLAJE DE BOMBA/MOTOR



Número de artículo	Descripción	Número de pieza
1	Polea	E106663
2	Correa	E106664
3	Ventilador	E106665
4	Tornillo	E106666
5	Volante	E106667
6	Tornillo	E106668
7	Tornillo, kit de 4	E106669
8	Kit de placa de válvula	E106670
9	Kit de varilla de conexión	E106671
10	Cabeza	E109721
11	Kit - cepillos	E109432



Questions, problems, missing parts? Before returning to the store call  
Husky Customer Service  
8 a.m. - 6 p.m., EST, Monday-Friday

**1-888-43-HUSKY**

**HUSKYTOOLS.COM**

Retain this manual for future use.

Document Number: E109779

03/15/2016