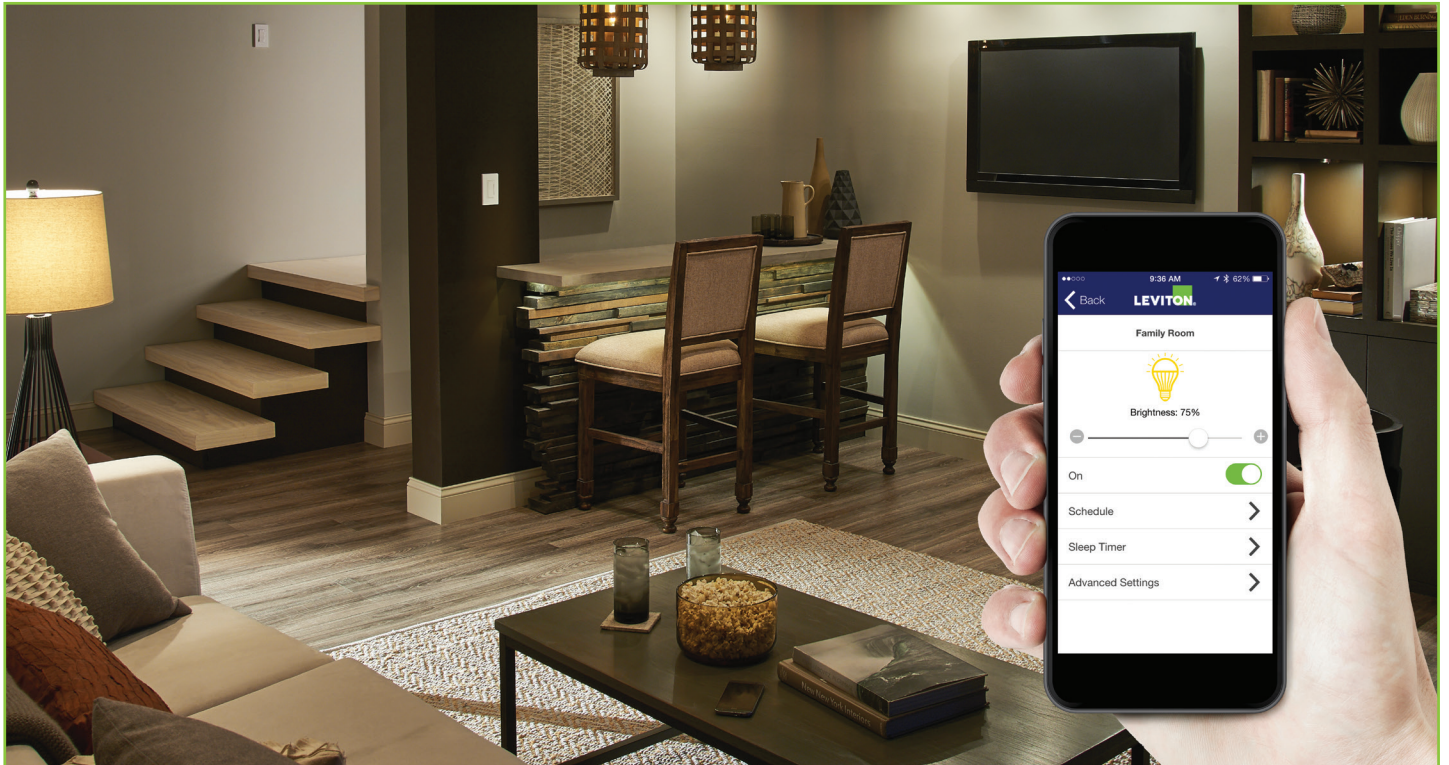


Lighting Control in the palm of your hand.



Dim and Time Lighting via App

The next generation of lighting control technology is here with Decora® Digital Controls with Bluetooth® technology. These innovative devices work using the Decora Digital Dimmer & Timer App that can be downloaded to smartphones or tablets and paired to the Leviton Dimmers, Switch or Fan Speed Control using Bluetooth technology. Decora Digital Controls provide local control within a 30-foot range without the need of a hub, gateway or internet connection, bridging the gap between traditional dimmers and whole-house automation systems.

Decora Digital Dimmers - are powerful devices combining the best of Leviton dimmer and timer functions with today's technology. Just use your smartphone or tablet to control, adjust and time lighting for daily activities or to ensure a "lived-in" look while away.

Decora Digital Switch - users enjoy the combined functions of a standard wall switch and a countdown or programmable timer switch in one attractive device. Using the app to set timer functions makes it quick and easy to control lights.

Decora Digital Quiet Fan Speed Control - the app makes it convenient to select low, medium, high or max speed, switch the fan on/off, or program using the programmable or countdown timer functions.

Decora Digital Dimmer & Timer App - compatible with Apple and Android smartphones or tablets; offers simple, intuitive on-screen menu options to independently control dimmers and switches within a 30-foot range.

Decora Digital Devices are ideal for living rooms, bedrooms, kitchens, dining rooms, outdoors, offices, light commercial applications, or anywhere full control of lighting is desired.



Typical Specifications

- Operating Temperature Range - 0°C - 40°C
- Storage Temperature Range - 10°C - 85°C
- Relative Humidity - 0% - 98%

Agency Standards and Compliance

- Bluetooth SIG Certification on Bluetooth models

Dimmer

- Complies with UL 1472
- FCC Listing Part 15 and Part 18

Switch

- Complies with UL 917
- CSA Certified to Standard 177
- Title 24 Compliant

Fan Speed Control

- Complies with UL 1917
- CSA Certified to Standard 156

Warranty Information

- Limited 5-year warranty

Installation Considerations

Note: Sharing a neutral wire may cause flickering. Connect all devices to the same phase or run a separate neutral to each phase. Consult Leviton Tech Line if problems persist.

Warning: To avoid fire, shock or death when retrofitting Mark 10 *Powerline* dimming ballasts into fixtures that originally had Instant Start ballasts, the sockets **MUST** be replaced with Rapid Start sockets to allow proper dimmer operation and prevent property damage, injury or death. Refer to the instructions provided with the ballast and the Leviton dimmer.

DDL06, DDMX1 and DDE06: LED and CFL lamps marked or rated as dimmable can be used with this dimmer. For a complete list of approved LED lamps visit www.leviton.com/universal

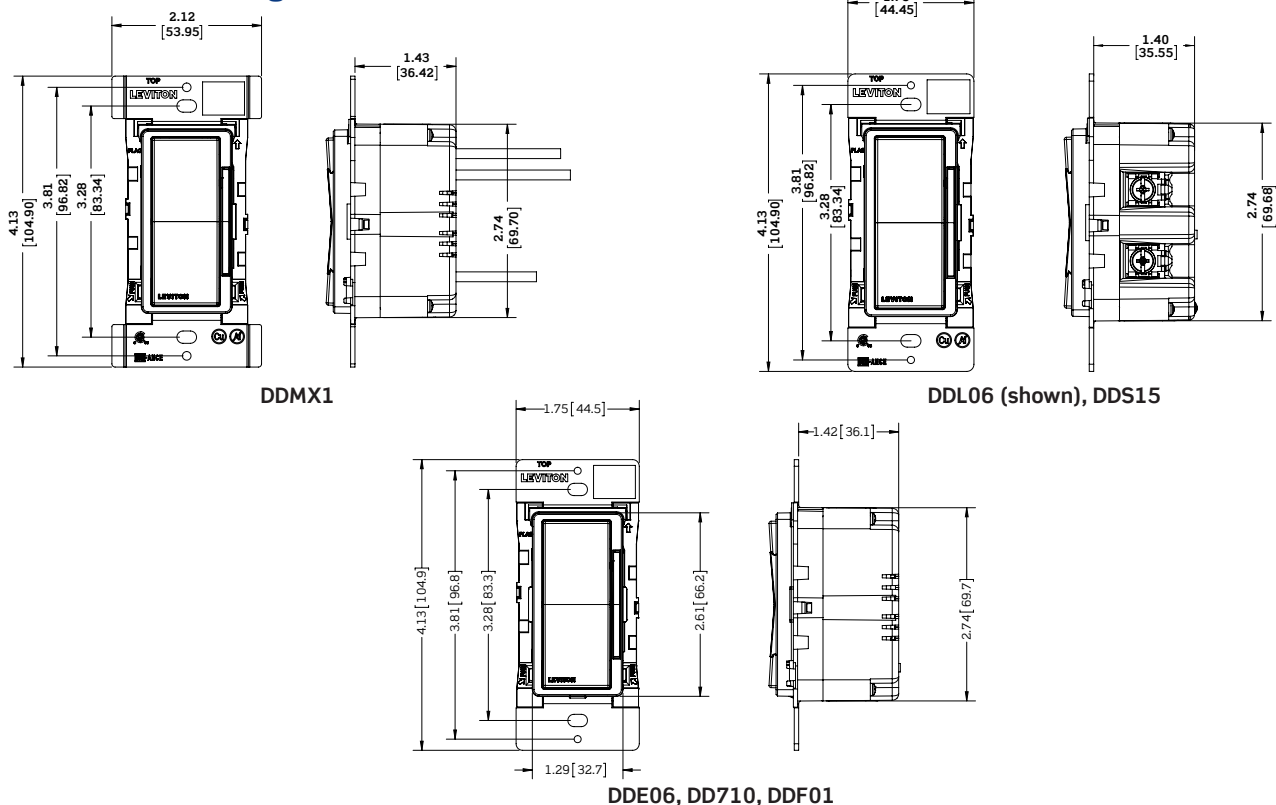
Use Leviton Power Extenders to extend the load capacity of box mounted dimmers. Leviton Power Extenders are available for incandescent, magnetic low voltage, electronic low voltage, Mark 10 *Powerline* fluorescent dimming ballasts or equivalents and 0-10 VDC dimmable fluorescent ballasts such as Mark 7 0-10V, OSRAM Sylvania Quicktronic® Helios™ or equivalent ballasts.

Maximum Load For Multi-Gang Applications

In multi-gang applications de-rating may be required in accordance with the following chart.

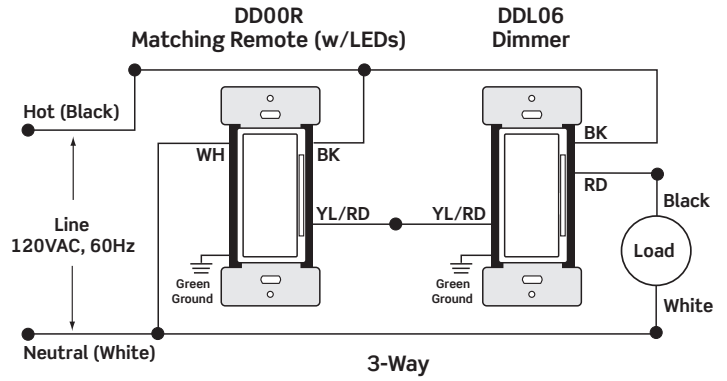
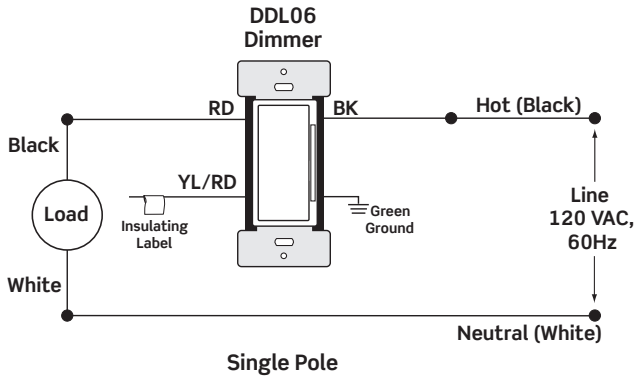
Cat. No.	Single	2-Gang	3-Gang or more
DDL06	600W Incandescent 300W LED/CFL	500W Incandescent 300W LED/CFL	500W Incandescent 300W LED/CFL
DDMX1	1000W Incandescent 1000VA MLV 1000VA Mark 10 450W LED/CFL	800W Incandescent 800VA MLV 1000VA Mark 10 450W LED/CFL	700W Incandescent 700VA MLV 1000VA Mark 10 450W LED/CFL
DDE06	600W Incandescent 600W ELV 300W LED/CFL	500W Incandescent 500W ELV 300W LED/CFL	400W Incandescent 400W ELV 300W LED/CFL
DD710 (120V)	950VA (8A)	950VA (8A)	950VA (8A)
DD710 (277V)	1350VA (5A)	1350VA (5A)	1350VA (5A)
DDF01	1.5A	1.5A	1.5A

Dimensional Drawings

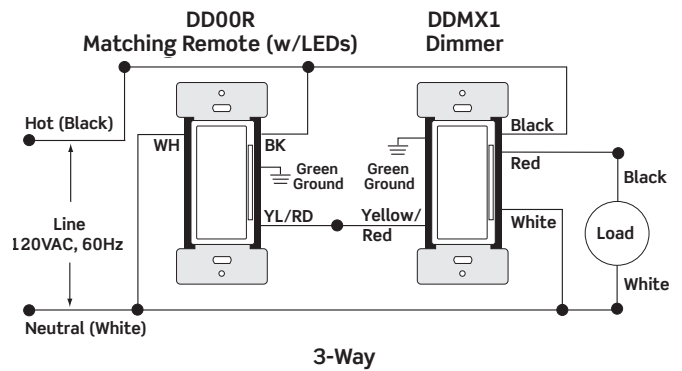
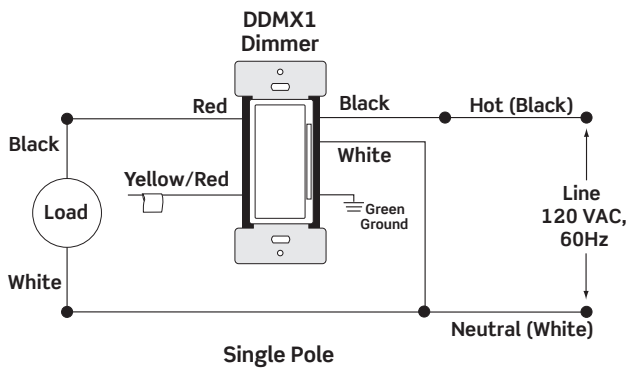


Wiring Diagrams

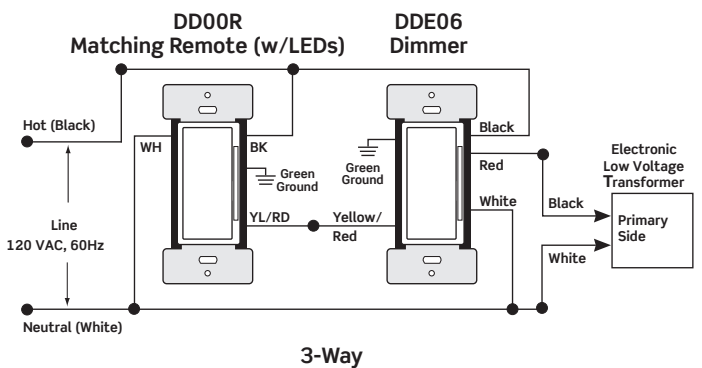
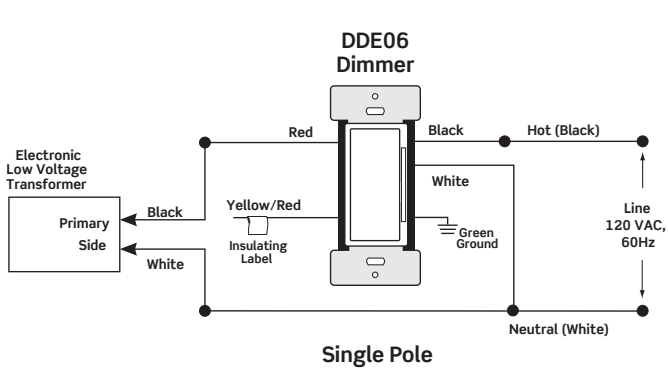
Cat. No. DDL06 (Ground connection required)



Cat. No. DDMX1 (Neutral connection required)

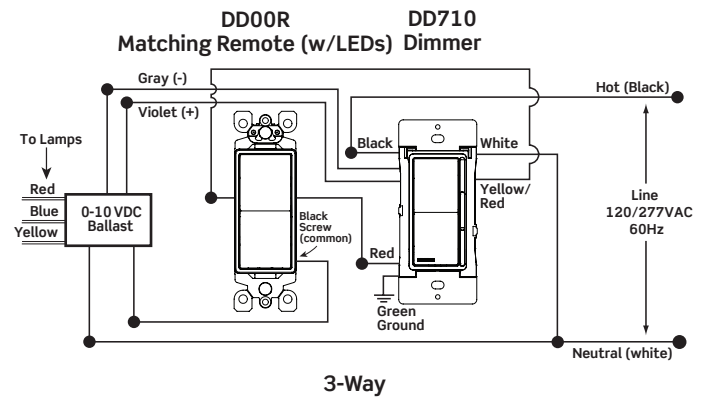
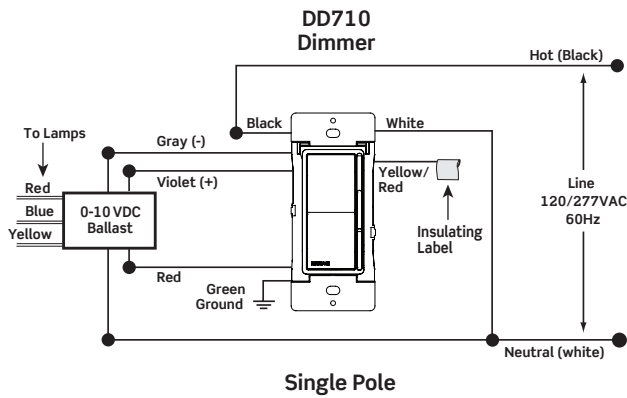


Cat. No. DDE06 (Neutral connection required)

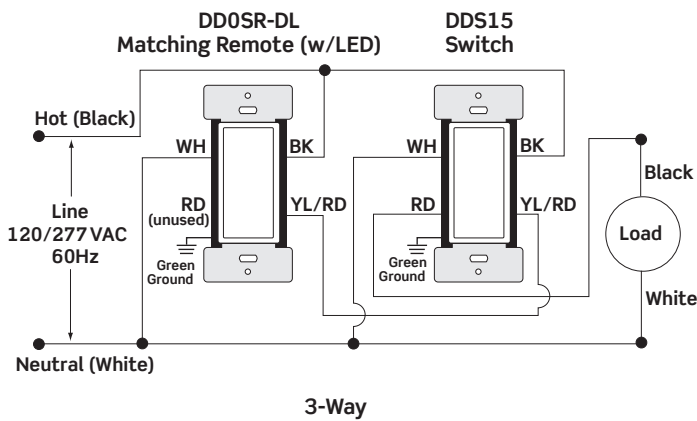
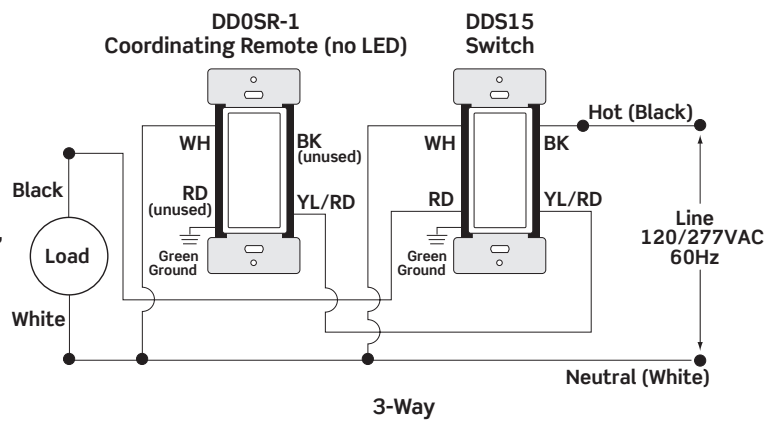
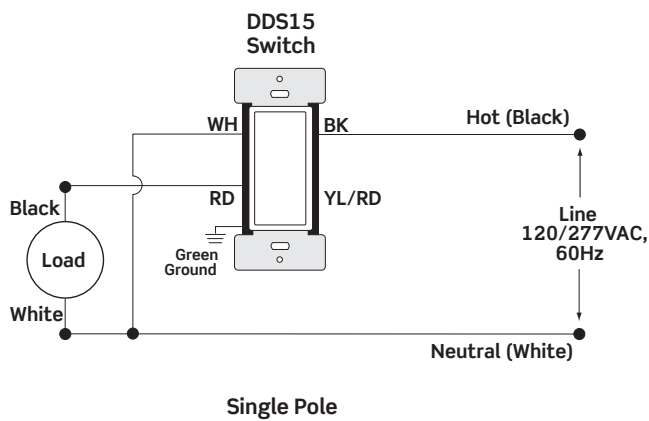


Wiring Diagrams

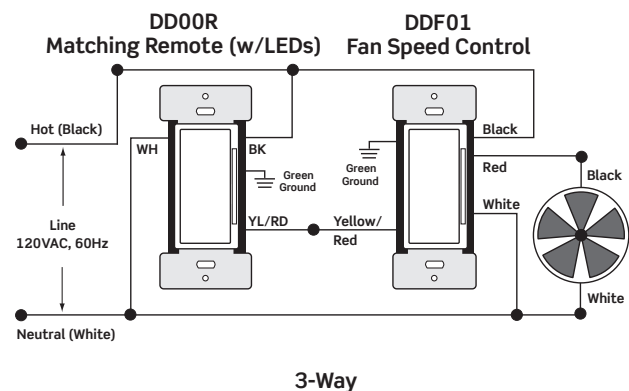
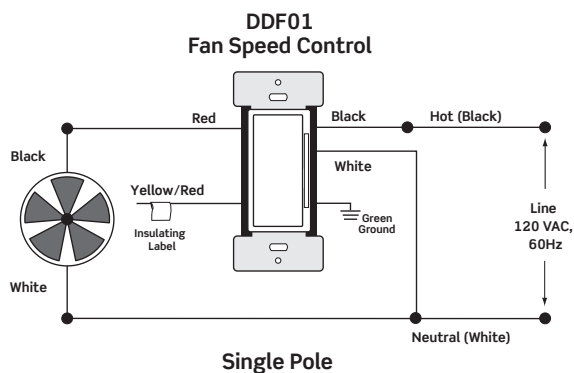
Cat. No. DD710 (Neutral connection required)



Cat. No. DDS15 (Neutral connection required)



Cat. No. DDF01 (Neutral connection required)

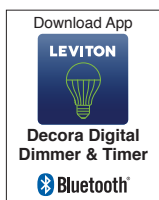


Ordering Information

Cat. No.	Description	Rating	Bluetooth Enabled	Color
DDL06-BL	Incandescent, Halogen, LED, CFL dimmer with Bluetooth Technology, Neutral required	600W Incandescent/Halogen 300W LED/CFL	Yes	Z
DDL06-1L	Incandescent, Halogen, LED, CFL dimmer Ground required	600W Incandescent/Halogen 300W LED/CFL	No	Z
DDMX1-BL	Incandescent, Halogen, LED, CFL, MLV, Mark 10® dimmer with Bluetooth Technology, Neutral required	1000W Incandescent/Halogen 450W LED/CFL 1000VA MLV, Mark 10® Powerline	Yes	Z
DDE06-BL	Electronic Low Voltage LED, CFL, Incandescent Dimmer with Bluetooth Technology, Neutral required	600W Incandescent/Halogen 300W LED/CFL 600W ELV	Yes	Z
DD710-BD	0-10V LED/Mark 7® Fluorescent ballast dimmer with Bluetooth Technology, Neutral Required	8A (120V) 950VA 5A (277V) 1350VA	Yes	Z
DDS15-BD	Dual Voltage Switch with Bluetooth Technology, Neutral Required	1800W Incandescent/Halogen 600W LED/CFL 15A FL (120V) 6A FL (277V)	Yes	Z
DDF01-BL	Quiet Fan Speed Control with Bluetooth Technology, 4 Speed, Neutral required	1.5A	Yes	Z
DD00R-DL	Decora Digital Dual Voltage Matching Dimmer Remote, Neutral Wire Required	120/277VAC, 60Hz	No	Z
DD0SR-DL	Decora Digital Dual Voltage Matching Switch Remote, Neutral Wire Required	120/277VAC, 60Hz	No	Z
DD0SR-1	Decora Digital Coordinating Switch Remote, Neutral Wire Required	120VAC, 60Hz	No	Z
DDKIT	Decora Digital Color Change Kits for Dimmers	N/A	-	W, I, T, G, E, B, R
DDKIT-S	Decora Digital Color Change Kits for Switch	N/A	-	W, I, T, G, E, B, R

*Decora Digital Controls come packaged with three colors. Products with suffix (-Z) include White, Ivory and Light Almond. Color Change Kits are available in the following colors: White (-W), Ivory (-I), Light Almond (-T), Gray (-G), Black (-E), Brown (-B) and Red (-R).

Download the Decora Digital Dimmer & Timer App



Available through the App Store and Google Play

LEVITON®

Leviton Manufacturing Co., Inc.

201 North Service Road, Melville, NY 11747-3138
 Telephone: 1-800-323-8920 • FAX: 1-800-832-9538
 Tech Line (8:30AM-7:00PM E.T. Monday-Friday): 1-800-824-3005

Visit our Website at: www.leviton.com/decoradigital

© 2016 Leviton Manufacturing Co., Inc. All rights reserved.
 All trademarks are the property of their respective owners.



App Store, Google Play and the Bluetooth word marks and logos are the registered trademarks of Apple Inc., Google Inc. and Bluetooth SIG, Inc., respectively, and any use of such marks by Leviton is under license. All other third party trademarks are the property of their respective owners.



G-9533A/J16-dp