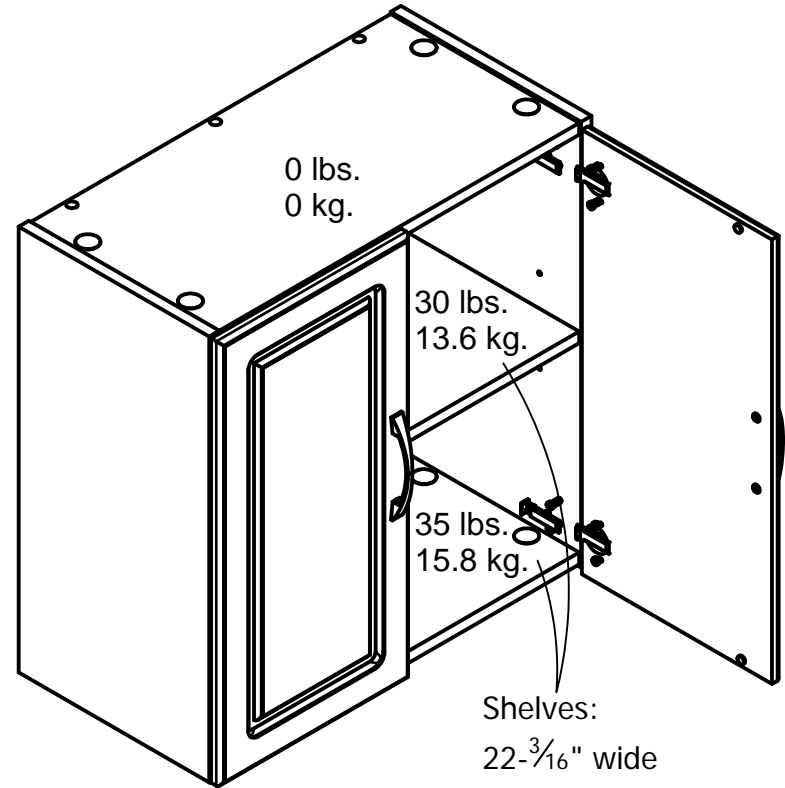
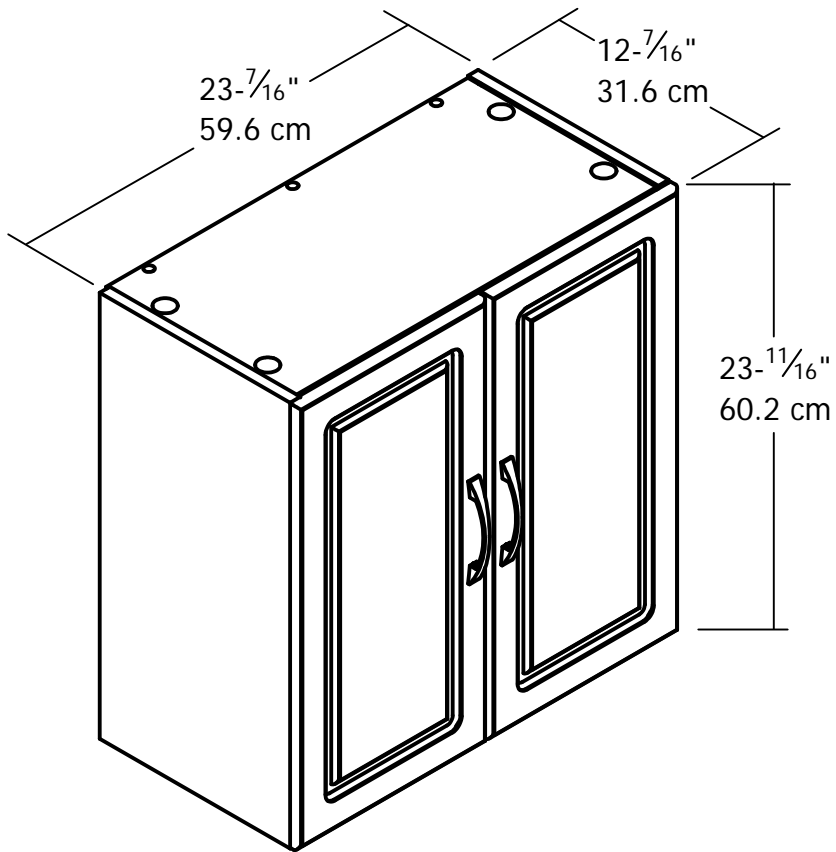


UNIT DESCRIPTION
24" WALL CABINET

ASSEMBLED DIMENSIONS (H X W X D)

23-11/16 in. H x 23-7/16 in. W x 12-7/16 in. D
 60.2 cm H x 59.6 cm W x 31.6 cm D



Shelves:
 22-³/₁₆" wide
 10-¹³/₁₆" deep

FINISH: (401) WHITE AQUASEAL
 (403) ONTARIO WHITE
 WEIGHT: 38 LBS (17.24 KG)