

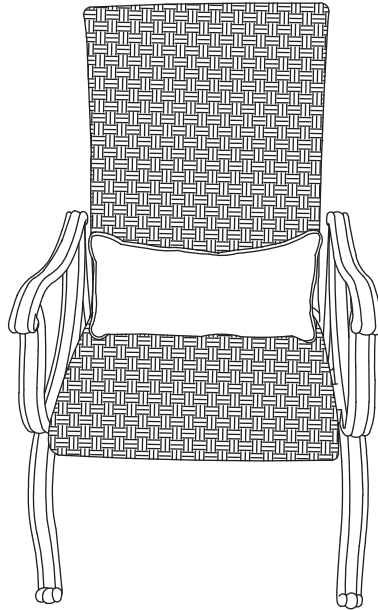
Item #100018768,
639346



Model #HD14216

USE AND CARE GUIDE

9-PIECE PEMBREY DINING SET (4-Piece Stationary Rocking Chairs)



Questions, problems, missing parts? Before returning to the store,
call Hampton Bay Customer Service
8:00 a.m. - 6:00 p.m., EST, Monday-Friday

1-855-HD-HAMPTON

HAMPTONBAY.COM

THANK YOU

We appreciate the trust and confidence you have placed in Hampton Bay through the purchase of this dining set. We strive to continually create quality products designed to enhance your home. Visit us online to see our full line of products available for your home improvement needs. Thank you for choosing Hampton Bay!

Table of Contents

| | | | |
|--|---|------------------------|---|
| Table of Contents..... | 2 | Pre-Assembly..... | 3 |
| Safety Information..... | 2 | Planning Assembly..... | 3 |
| Warranty..... | 2 | Hardware Included..... | 3 |
| 3 Year Frame Limited Warranty, 2 Year Fabric | | Package Contents..... | 4 |
| and Weave Limited Warranty..... | 2 | Assembly..... | 5 |
| What Is Covered..... | 2 | | |
| What Is Not Covered..... | 2 | | |
| Care Instructions..... | 2 | | |

Safety Information



DANGER: Please keep children out of the assembly area before assembly.



IMPORTANT: Please check the tightness of the bolts at least every 90 days.



WARNING: Do not put heavy objects on the chair.

Warranty

3 YEAR FRAME / 2 YEAR FABRIC AND WEAVE LIMITED WARRANTY

WHAT IS COVERED

We warrant the frame to be free of manufacturing defects to the original purchaser for three years and the fabric and weave for two years.

WHAT IS NOT COVERED

It remains the customer's responsibility for freight and packaging charges to and from our service center. This warranty does not cover commercial use, hardware, acts of nature, fire, freezing and abusive use. In addition, purchased parts are not covered under this warranty. We reserve the right to make substitutions with similar merchandise, if the model in question is no longer in production.

Care Instructions

Before using, wipe with a clean, dry cloth. Do not use bleach or solvents. Treat the frame with liquid wax for maximum protection against UV light and salty, damp air. When not in use, store furniture in a cool, dry place. If your set includes cushions or mesh fabric, they may be cleaned by hand with a mild solution of soap and water. Rinse cushions thoroughly and allow to drip dry. Do not machine wash or tumble dry, as cushions may shrink. Do not use bleach or solvents on fabrics. When cleaning the tabletop make sure to use a soft, clean cloth that does not bleed color.

You may contact our customer service department with any questions by phone at 1-855-HD-HAMPTON or visit www.hamptonbay.com.

Pre-Assembly

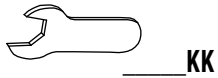
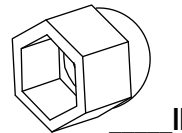
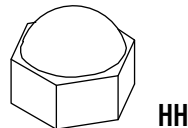
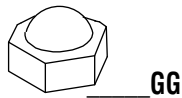
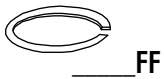
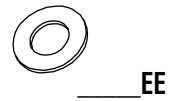
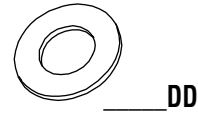
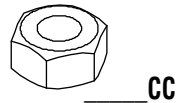
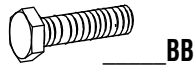
PLANNING ASSEMBLY

It will take one person about 25 minutes to complete the assembly process.
Assemble this product on a blanket or towel or other soft, non-abrasive surface to avoid scratching the finish.

HARDWARE INCLUDED



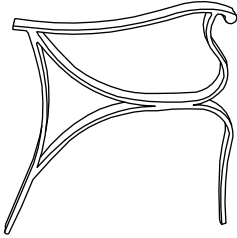
NOTE: Hardware not shown to actual size.



| Part | Description | Quantity |
|------|-----------------------|----------|
| AA | Bolt (M6 x 15 mm) | 32 |
| BB | Bolt (M8 x 35 mm) | 16 |
| CC | Nut (M8) | 16 |
| DD | Metal Washer (M8) | 16 |
| EE | Metal Washer (M6) | 32 |
| FF | Lock Washer | 16 |
| GG | Plastic Bolt Cap (M6) | 32 |
| HH | Plastic Bolt Cap (M8) | 16 |
| II | Plastic Nut Cap (M8) | 16 |
| JJ | Steel Plate | 16 |
| KK | Hex Wrench (M6) | 1 |
| LL | Hex Wrench (M8) | 2 |

Pre-Assembly (continued)

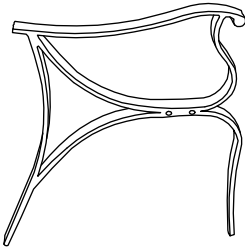
PACKAGE CONTENTS



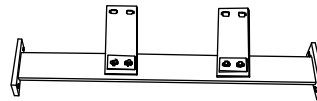
_____ **A**



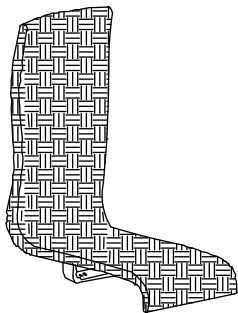
_____ **D**



_____ **B**



_____ **E**



_____ **C**

| Part | Description | Quantity |
|------|---------------------------|----------|
| A | Right Arm (When Sitting) | 4 |
| B | Left Arm (When Sitting) | 4 |
| C | Seat and Back Combination | 4 |
| D | Back Cross Bar | 4 |
| E | T-Rock | 4 |

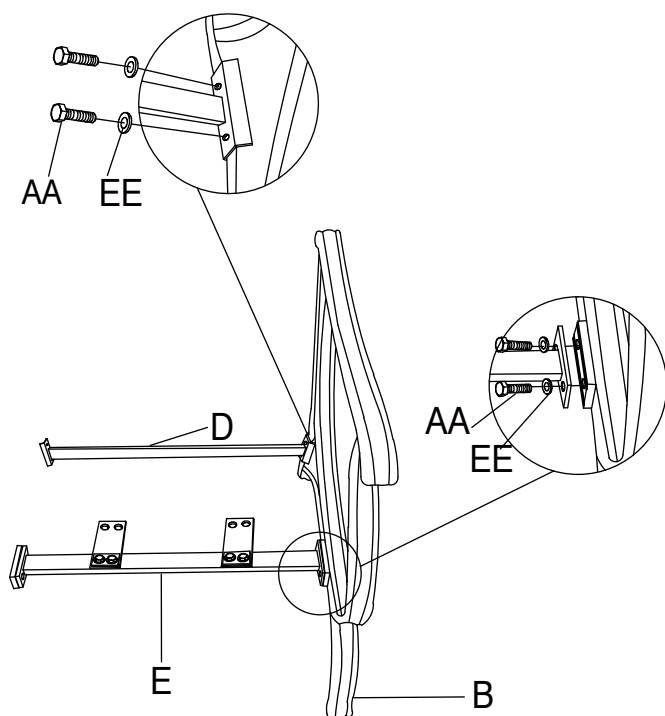
Assembly

1 Attaching the T-Rock and back cross bar to the left arm

- Attach the T-Rock (E) to the inside front of the left arm (B) by inserting bolts (AA) with metal washers (EE) through the two pre-drilled holes. Position the T-Rock (E) with steel plate as shown.
- Attach the back cross bar (D) to the inside back of the left arm (B) by inserting bolts (AA) with metal washers (EE) through the two pre-drilled holes.

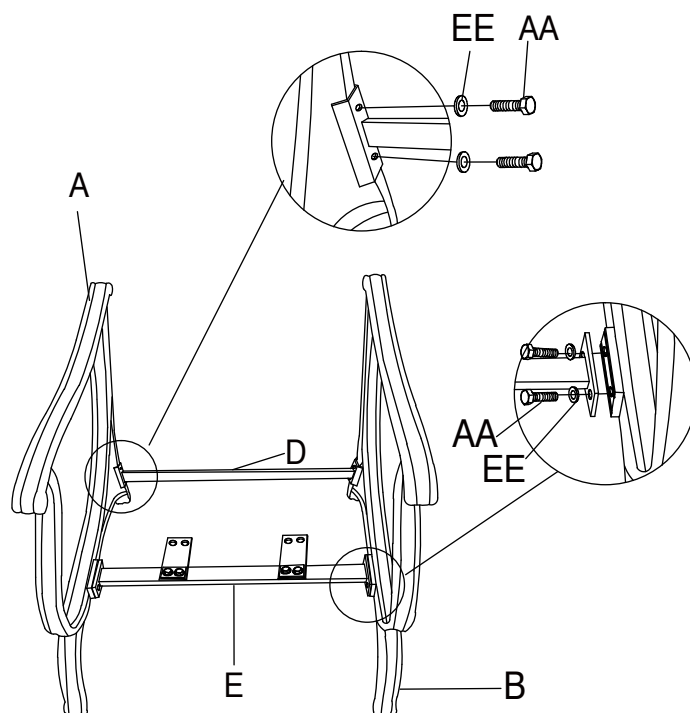


IMPORTANT: Do not tighten completely until assembly is completed.



2 Attaching the T-Rock and back cross bar to the right arm

- Repeat step 1 for the right arm (A). Please do NOT tighten completely.



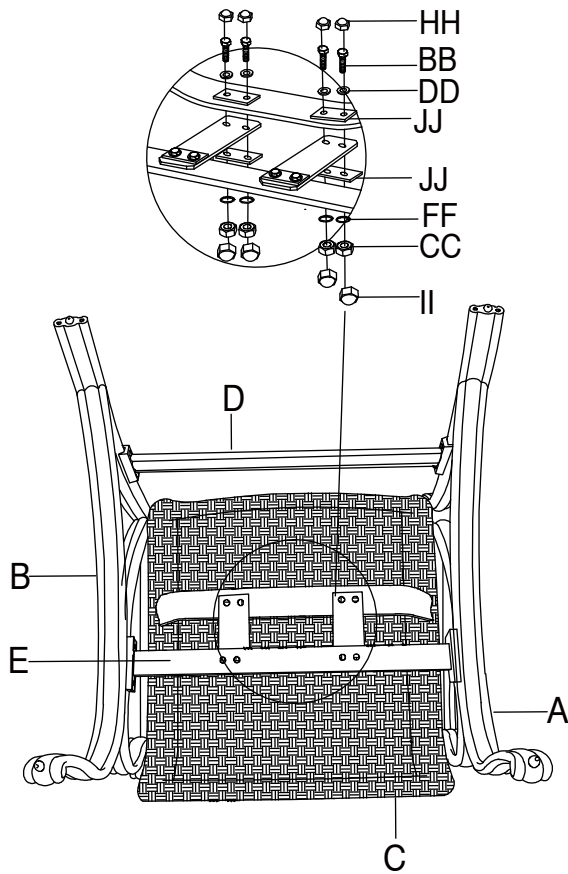
Assembly (continued)

3 Attaching the seat and back combination to the chair base

- With the help of another person, turn over the newly completed chair base (A, B, D, and E) and carefully align with the seat and back combination (C). Attach in order, using bolts (BB), metal washer (DD), small rectangular steel plate (JJ), seat and back combination (C), T-Rock (E), small rectangular steel plate (JJ), lock washer (FF), and nuts (CC).



IMPORTANT: Bolts are inserted from underneath the seat (closest to woven wicker seat) through crossbar into T-rock. Two rectangular steel plates are used for each side in sequence as noted above.

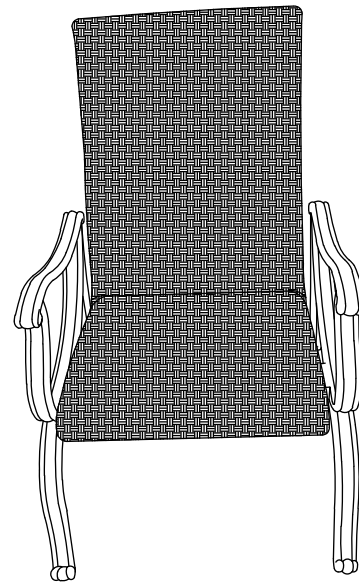


4 Completing the assembly



NOTE: If the chair frame does not align between the arms, unscrew all bolts and re-adjust the chair frame accordingly. Do not tighten completely until assembly is completed.

- Tighten all the bolts and nuts with hex wrenches, and then cover with plastic caps (GG, HH and II).
- Carefully turn over the completed chair frame. Your chair is now ready for use, so relax & enjoy!





**Questions, problems, missing parts? Before returning to the store,
call Hampton Bay Customer Service
8:00 a.m. - 6:00 p.m., EST, Monday-Friday**

1-855-HD-HAMPTON

HAMPTONBAY.COM

Retain this manual for future use.

Item #1000018768,
639347, 639348

Model #HD14216



USE AND CARE GUIDE

PEMBREY 64 in. SQUARE DINING TABLE



Questions, problems, missing parts? Before returning to the store,
call Hampton Bay Customer Service
8:00 a.m. - 6:00 p.m., EST, Monday-Friday

1-855-HD-HAMPTON

HAMPTONBAY.COM

THANK YOU

We appreciate the trust and confidence you have placed in Hampton Bay through the purchase of this table. We strive to continually create quality products designed to enhance your home. Visit us online to see our full line of products available for your home improvement needs. Thank you for choosing Hampton Bay!

Table of Contents

| | | | |
|--------------------------|---|------------------------|---|
| Table of Contents | 2 | Pre-Assembly..... | 3 |
| Safety Information..... | 2 | Planning Assembly..... | 3 |
| Warranty..... | 2 | Hardware Included..... | 3 |
| 3 Year Frame | | Package Contents | 4 |
| Limited Warranty..... | 2 | Assembly..... | 5 |
| What Is Covered..... | 2 | | |
| What Is Not Covered..... | 2 | | |
| Care Instructions..... | 2 | | |

Safety Information



DANGER: Please keep children out of the assembly area before assembly.



CAUTION: Use the table on flat ground only.



WARNING: Do not sit or stand on the table.



IMPORTANT: Please check the tightness of the bolts at least every 90 days.



WARNING: Do not put heavy objects on the table.



NOTE: Level the table with glides at the bottom of each leg.

Warranty

3 YEAR FRAME LIMITED WARRANTY

WHAT IS COVERED

We warrant the frame to be free of manufacturing defects to the original purchaser for three years.

WHAT IS NOT COVERED

It remains the customer's responsibility for freight and packaging charges to and from our service center. This warranty does not cover commercial use, hardware, acts of nature, fire, freezing and abusive use. In addition, purchased parts are not covered under this warranty. We reserve the right to make substitutions with similar merchandise, if the model in question is no longer in production.

Care Instructions

Before using, wipe with a clean, dry cloth. Do not use bleach or solvents. Treat the frame with liquid wax for maximum protection against UV light and salty, damp air. When not in use, store furniture in a cool, dry place. If your set includes cushions or mesh fabric, they may be cleaned by hand with a mild solution of soap and water. Rinse cushions thoroughly and allow to drip dry. Do not machine wash or tumble dry, as cushions may shrink. Do not use bleach or solvents on fabrics. When cleaning the tabletop make sure to use a soft, clean cloth that does not bleed color.

You may contact our customer service department with any questions by phone at 1-855-HD-HAMPTON or visit www.hamptonbay.com.

Pre-Assembly

PLANNING ASSEMBLY

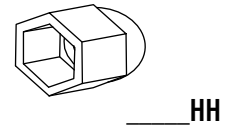
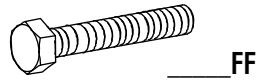
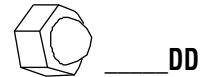
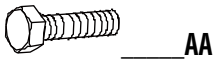
It will take two people about 15 minutes to complete the assembly process.

Assemble this product on a blanket or towel or other soft, non-abrasive surface to avoid scratching the finish.

HARDWARE INCLUDED



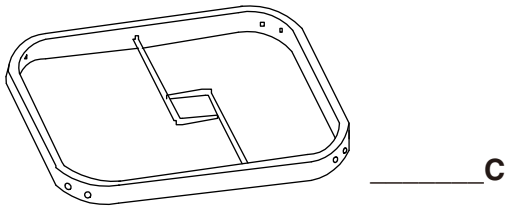
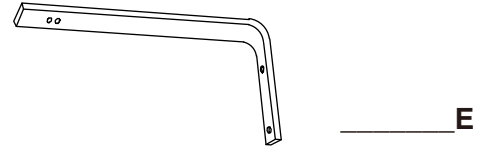
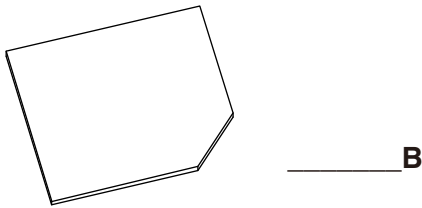
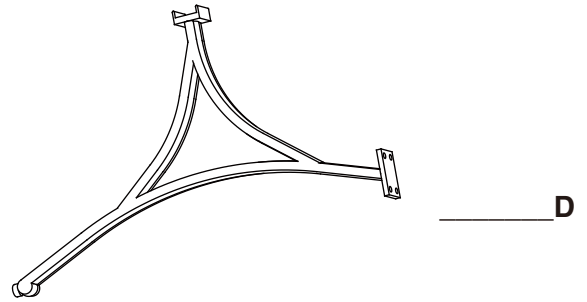
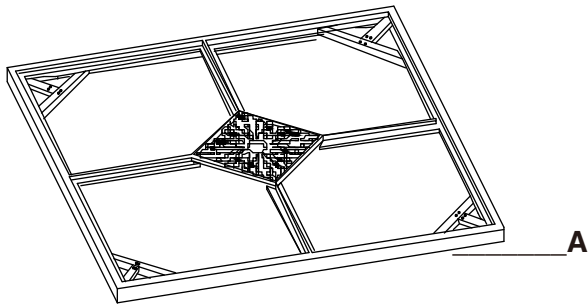
NOTE: Hardware not shown to actual size.



| Part | Description | Quantity |
|------|-------------------|----------|
| AA | Bolt (M6 x 15 mm) | 16 |
| BB | Bolt (M6 x 25 mm) | 16 |
| CC | Metal Washer (M6) | 40 |
| DD | Plastic Bolt Cap | 40 |
| EE | Hex Wrench | 2 |
| FF | Bolt (M6 x 40 mm) | 8 |
| GG | Nut | 8 |
| HH | Plastic Nut Cap | 8 |

Pre-Assembly (continued)

PACKAGE CONTENTS



| Part | Description | Quantity |
|------|-----------------------|----------|
| A | Table Top Rim | 1 |
| B | Ceramic Tile | 4 |
| C | Leg Connector Bracket | 1 |
| D | Table Leg | 4 |
| E | Leg Support Bar | 4 |

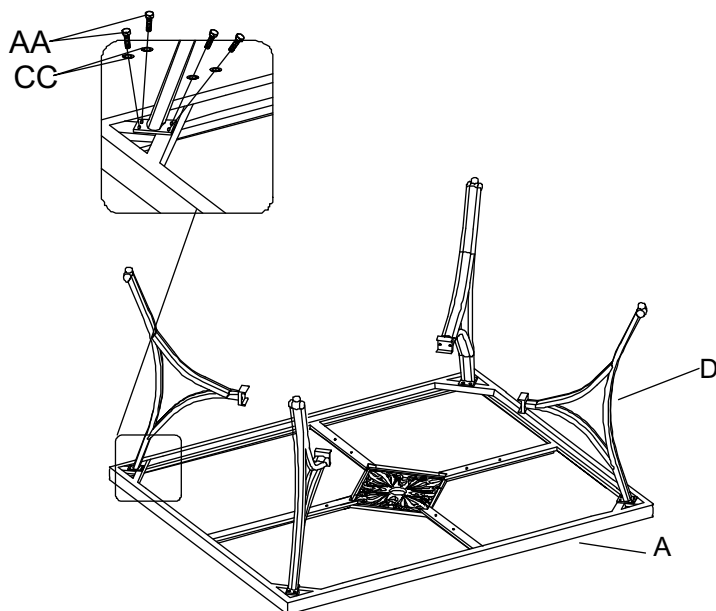
Assembly

1 Attaching the legs to the table top rim

- With the assistance of another person, place the table top rim (A) upside down so the pre-drilled corner holes are visible. Align and attach each of the four table legs (D) in the corners of the table top rim (A), by inserting bolts (AA) with metal washers (CC) through the pre-drilled holes. Loosely tighten with the hex wrench (EE).



IMPORTANT: Do not tighten completely until assembly is completed.

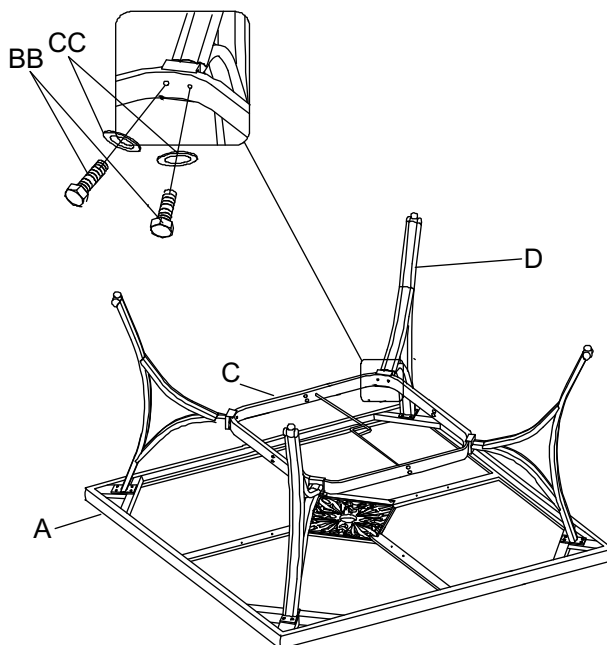


2 Attaching the leg connector bracket to the legs

- Attach the leg connector bracket (C) to each of the table legs (D) by inserting bolts (BB) with metal washers (CC) into the pre-drilled holes, using the hex wrench (EE).



IMPORTANT: Each of the leg bolts should be attached and initially tightened only a few revolutions. Then tighten further, one bolt at a time, alternating between the four legs. Do NOT fully tighten one leg before you attach the other legs.



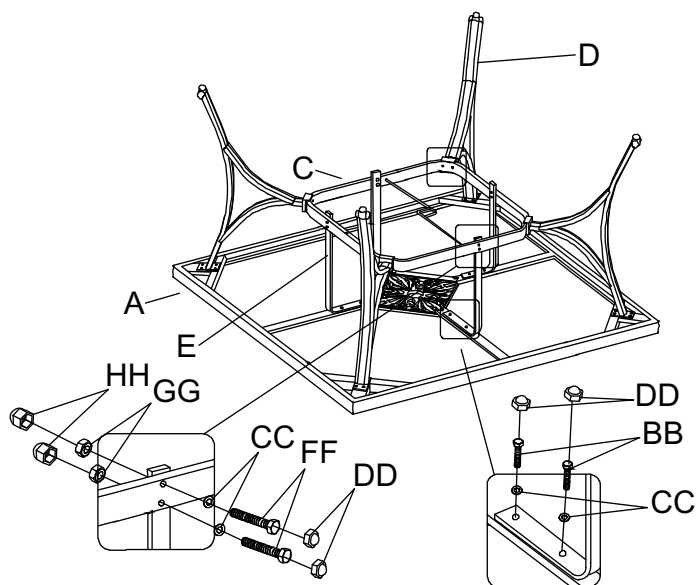
Assembly (continued)

3 Attaching the leg support bar to the table top rim and the leg connector bracket

- Attach the leg support bar (E) to the table top rim (A) by inserting bolt (BB) with metal washer (CC) into the pre-drilled holes.
- Attach the leg support bar (E) to the leg connector bracket (C) by inserting bolt (FF) in order of bolt (FF), metal washer (CC), leg connector bracket (C), support bar (E), nut (GG).

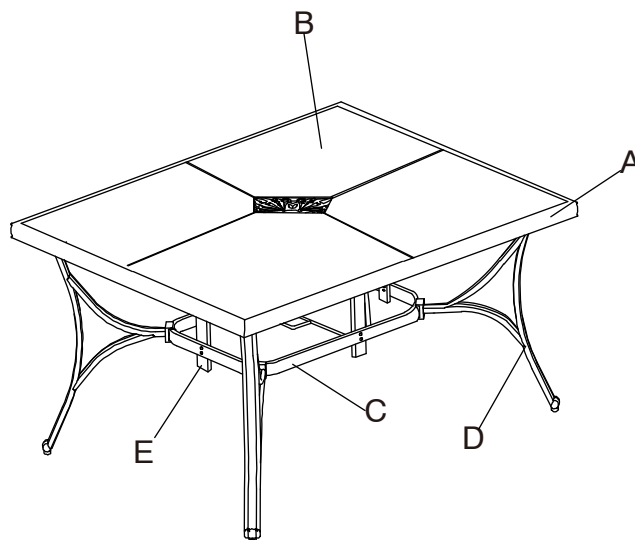


IMPORTANT: Do not fully tighten the leg support bar before you attach the other support bars.



4 Attaching the bolt/nut caps and putting the ceramic tiles onto the table frame

- Tighten all the bolts using the hex wrench (EE). Cover them with the plastic bolt/nut caps (DD)/(HH).
- With assistance, turn the table in the upright position. Carefully place the four individual ceramic tiles onto the table frame.





**Questions, problems, missing parts? Before returning to the store,
call Hampton Bay Customer Service
8:00 a.m. - 6:00 p.m., EST, Monday-Friday**

1-855-HD-HAMPTON

HAMPTONBAY.COM

Retain this manual for future use.