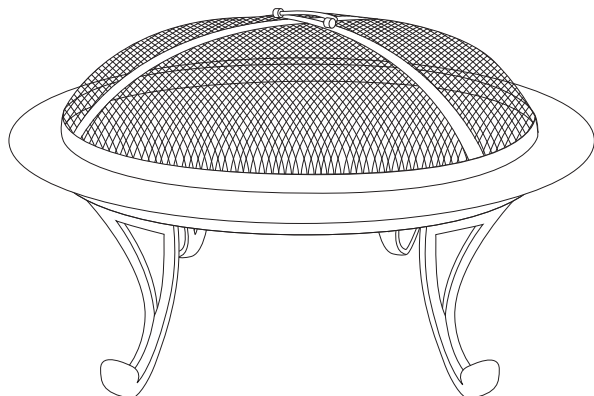


Assembly and Instruction Sheet

Folding Fire Pit Set

Model: AD248



Important!

Please read and follow ALL instructions before assembling or using this product, particularly the safety statements. Failure to follow instructions and warnings could result in damage to property, serious injury or death.

WARNING!

- Fire pit for outdoor use only. Never use in enclosed area. Use in unventilated areas will endanger your life.
- Do not use fire pit on or near combustible surfaces or structures such as wood decks, dry leaves or grass, vinyl or wood siding, etc.
- Keep away from house, garage, balconies, or overhangs.
- Use on level, non-combustible surface only.
- Keep away from all combustible materials including gasoline and other flammable liquids and vapors.
- Never use flammable accelerants, such as: gasoline, alcohol, paint thinners, kerosene, etc. to start a fire. Serious injury or property damage could result.
- Screen will become hot when in use! Failure to wear protective gloves could lead to injury.
- Avoid using during dry or windy conditions.
- Keep out of reach of children.
- Do not overfill or use to burn leaves or trash.
- Exercise the same care you would with an open fire.
- Never leave unit unattended while hot or in use.
- Completely extinguish fire before leaving.
- Ashes can remain hot for a long time after fire is extinguished.
- Dispose of cold ashes properly.
- Use storage case only when unit is cool to the touch.

Contact local authorities regarding possible burn restrictions before using product.

General Care Instructions

- Fire bowl may be cleaned with water and mild detergent.
- Fire bowl will change colors after use.
- Carry case can be cleaned with damp cloth and mild detergent.
- Do not use abrasive detergents or pads to clean bowl.
- As with any outdoor grill, periodic maintenance is required to return painted steel surfaces to original appearance. Remove any rust with sandpaper or steel brush and repaint with grill paint suitable for high-temperature surfaces. Follow manufacturer's instructions.
- Maintenance is required before or after every season of use.

Customer Service

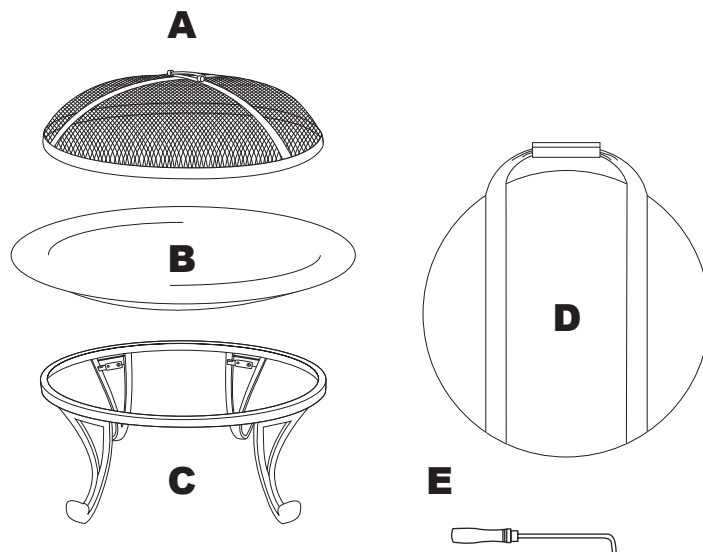
Please contact us if you have any problems or questions regarding this product.

Email: customerservice@asiadirectinc.net

Toll Free: (800) 230-6530

Parts List

Part #	Quantity	Part Description
A	1	Spark Screen
B	1	Fire Bowl
C	1	Folding Stand Assembly
D	1	Storage Case
E	1	Screen Lifting Tool



(continued on back)

Assembly Instructions

Step 1:

Carefully unpack all parts. Inspect for missing parts or damage.

Step 2:

Open Stand Assembly (C) by lifting latch and extending leg down. Latch should be perpendicular to leg opening so leg can extend completely to open position.

Step 3:

With leg in open position, push latch over leg to lock leg in place (Figure 1). Repeat for remaining legs.

NOTE: MAKE SURE ALL LATCHES ARE SECURELY IN LOCKED POSITION BEFORE USING PRODUCT.

Step 4:

Place Fire Bowl (B) on assembled stand.

Step 5:

Place Spark Screen (A) on fire bowl.

READ ALL SAFETY WARNINGS BEFORE USE.

Figure 1

