



Bessemer Corner Sectional Assembly Instructions

Before beginning assembly, layout all parts on a soft, scratch resistant surface. Contact SE Brands directly if any parts are missing. We will gladly provide free replacements.

Please do not contact your retail store for replacement parts, or assembly questions.

During assembly, hand tighten each bolt until all bolts are started. Once each bolt is started, you can fully tighten them down. This helps to insure all piece align properly and makes assembly a much easier process.

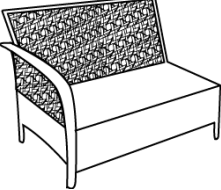
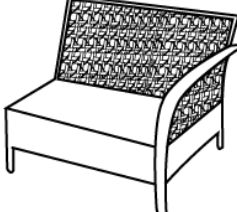
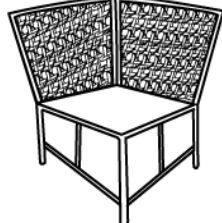
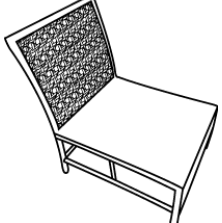






QUESTIONS? MISSING PARTS?

Contact SE Brands directly for the fastest service.

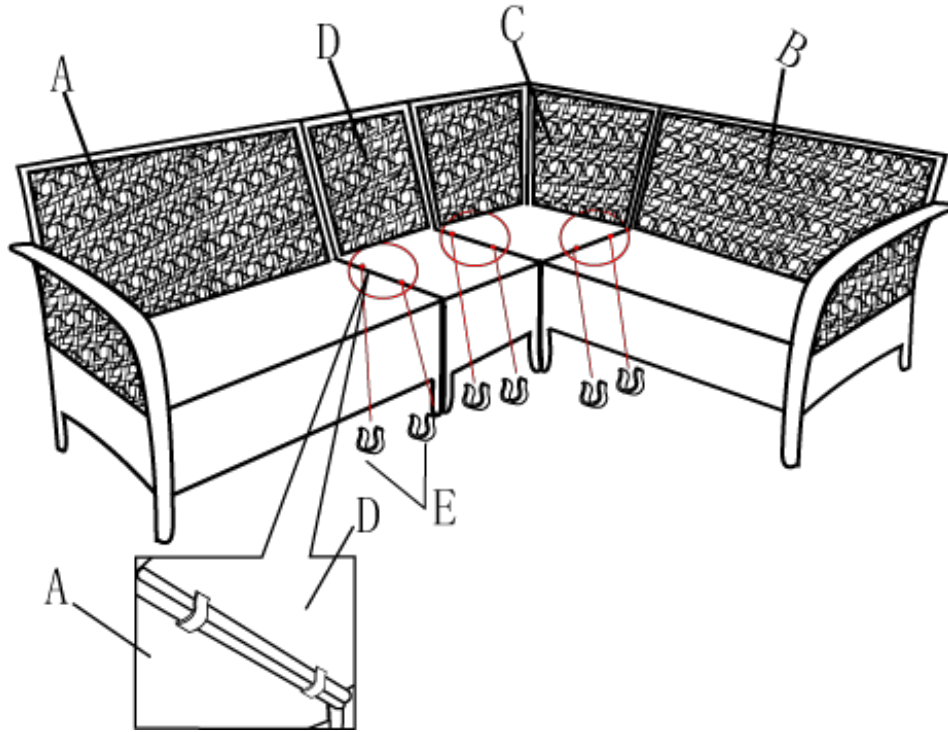
hello@sebrandsinc.com

888-682-3012

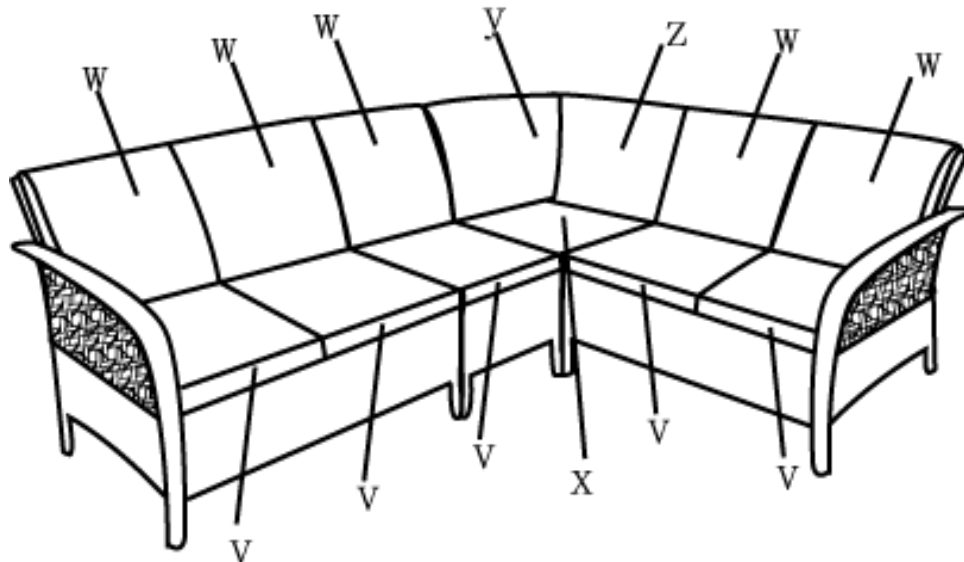
Bessemer Corner Sectional

			
A. Right Arm Loveseat	B. Left Arm Loveseat	C. Corner	D. Armless Chair
1PC	1PC	1PC	1PC
			
E. U-Clip	W. 22" Back Cushion	V. 22" Seat Cushion	X. Corner Seat Cushion
16PCS	5PCS	5PCS	1PC
			
Y. Large Corner Back Cushion	Z. Small Corner Back Cushion		
1PC	1PC		


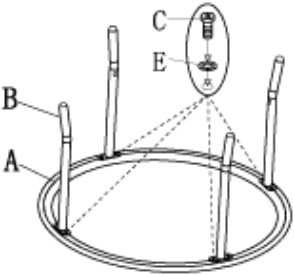
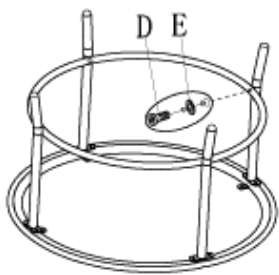



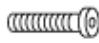


1



2



Bessemer Tea Table

A	 x1	(1) 	(2) 
B	 x4		
C	 x8	(3) 	
D	 x4		
E	 x12		
F	 x1		

Note: do not tighten bolts until all parts are connected