

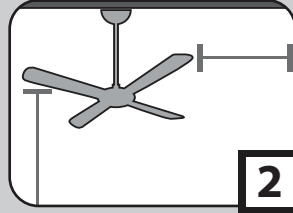
Congratulations on purchasing your new Hunter® ceiling fan! It will provide comfort and performance in your home or office for many years. This installation and operation manual contains complete instructions for installing and operating your fan.

We are proud of our work and appreciate the opportunity to supply you with the best ceiling fan available anywhere in the world.

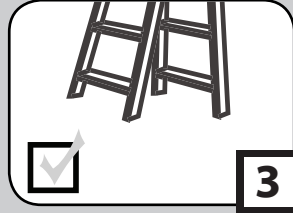
**To register your fan, please visit:**  
**[www.HunterFan.com/register](http://www.HunterFan.com/register)**

Save your receipt for proof of purchase.

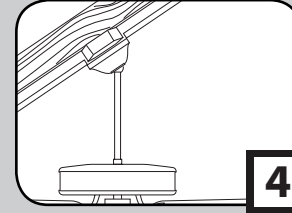
## What to Expect with Your Installation



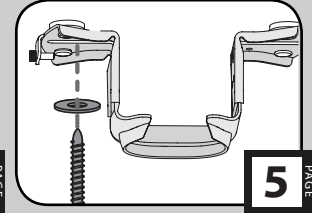
## Tools Needed



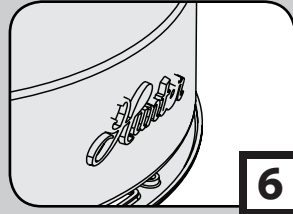
## Mounting Options



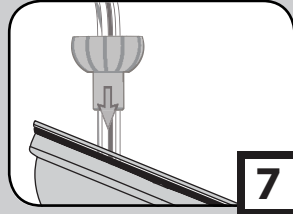
## Ceiling Bracket



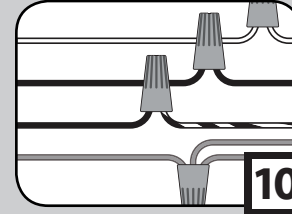
## Motor Housing



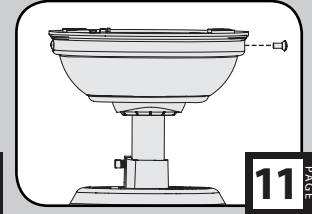
## Downrod



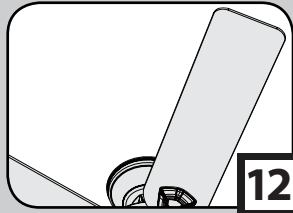
## Wiring



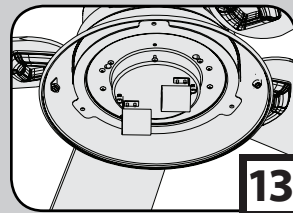
## Canopy



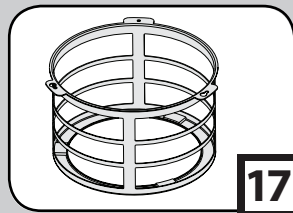
## Blades



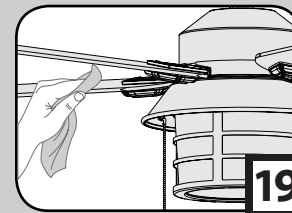
## Switch Housing & Light Kit



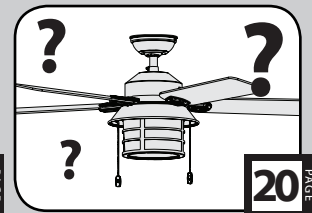
## Globe

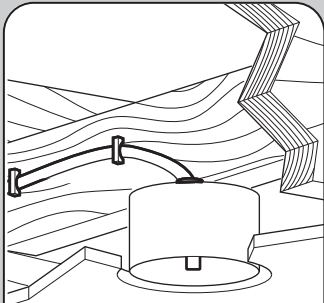


## Maintenance & Cleaning



## Troubleshooting

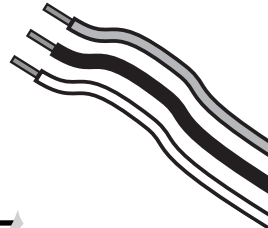




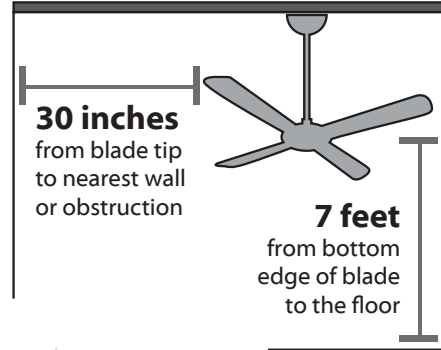
Must be able to secure the fan to building structure or fan-rated outlet box



If you are unfamiliar with wiring, use a qualified electrician.



Know your wiring



Assess location

You may need a friend to help you.



Check box to see fan weight



Ceiling angles greater than 34° will require an Angled Mounting Kit. See page 4 for details.



Assess ceiling angle

**1 Standard Downrod**  
for ceilings 8-10 feet high

**2 Shorter Downrod**  
for fans installed close to ceiling

**3 Longer Downrod**  
for ceilings 10 feet or higher



Select a downrod length

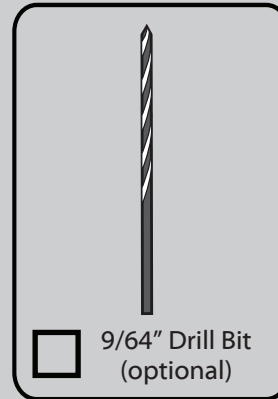
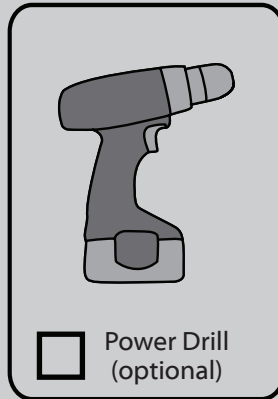
## Read and Save These Instructions

This product conforms to UL Standard 507.

### ⚠ WARNINGS

- w.1 - To reduce the risk of fire, electrical shock, or personal injury, mount fan directly from building structure and/or an outlet box marked acceptable for fan support of 70 lbs (31.8 kg) and use the mounting screws provided with the outlet box.
  - w.2 - To avoid possible electrical shock, before installing or servicing your fan, disconnect the power by turning off the circuit breakers to the outlet box and associated wall switch location. If you cannot lock the circuit breakers in the off position, securely fasten a prominent warning device, such as a tag, to the service panel.
  - w.3 - To reduce the risk of fire, electrical shock, or motor damage, use only Hunter Solid State Speed Controls.
  - w.4 - To reduce the risk of personal injury, do not bend the blade brackets when installing the blade brackets, balancing the blades, or cleaning the fan. Do not insert foreign objects in between rotating fan blades.
- ### ⚠ CAUTIONS
- c.1 - All wiring must be in accordance with national and local electrical codes ANSI/NFPA 70. If you are unfamiliar with wiring, use a qualified electrician.
  - c.2 - Use only Hunter replacement parts.





**If mounting to a support structure, you will also need these tools.**

34°

CEILING ▲

**If you have a flat ceiling:**

Hang your fan by a standard downrod (included).

Standard  
Mounting

OPTION 1

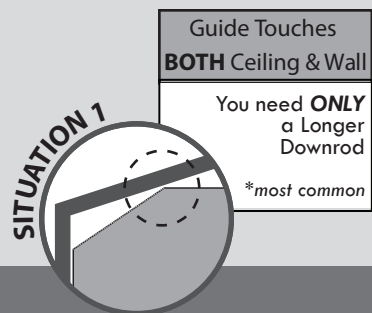
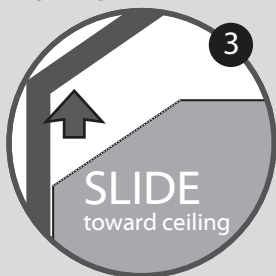
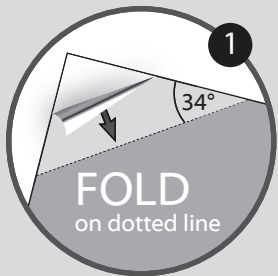
**If you have an angled ceiling:**

1. You will need a longer downrod (sold separately).
2. If your ceiling angle is greater than 34°, you will also need an Angled Mounting Kit (sold separately).

Angled  
Mounting

OPTION 2

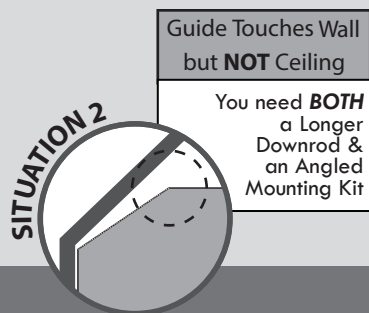
Use the three steps below to determine if your ceiling angle is greater than 34°



Guide Touches  
**BOTH** Ceiling & Wall

You need **ONLY**  
a Longer  
Downrod

*\*most common*



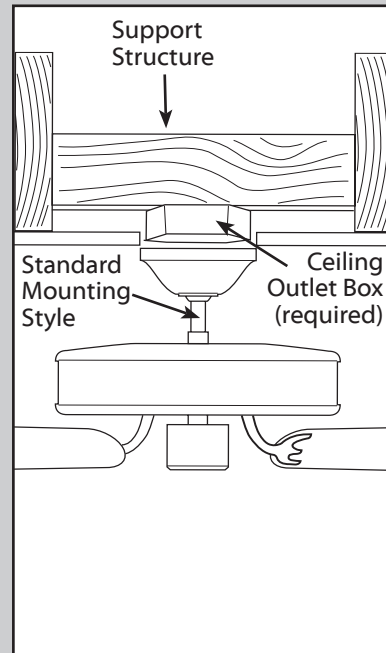
Guide Touches Wall  
but **NOT** Ceiling

You need **BOTH**  
a Longer  
Downrod &  
an Angled  
Mounting Kit

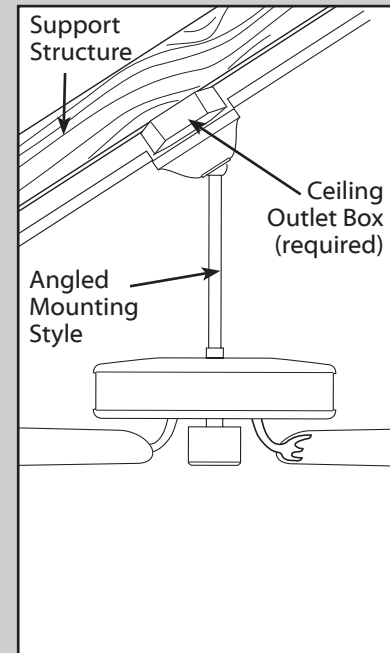
**Mounting Options**

www.HunterFan.com

1.866.268.1936

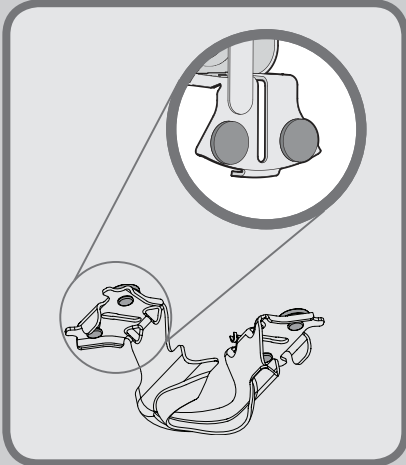
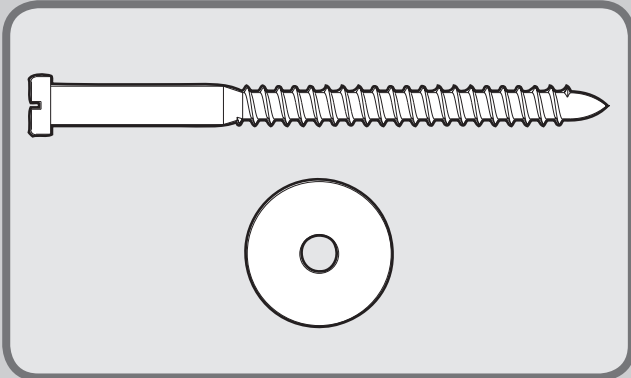
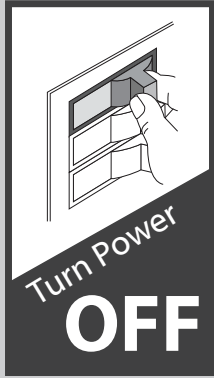


Use **Standard Mounting**  
or **Low-Profile Mounting**  
to hang the fan from a flat ceiling.

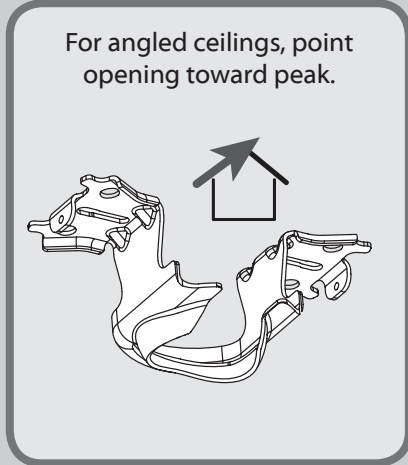


Use **Angled Mounting**  
to hang the fan from a  
vaulted or angled ceiling.

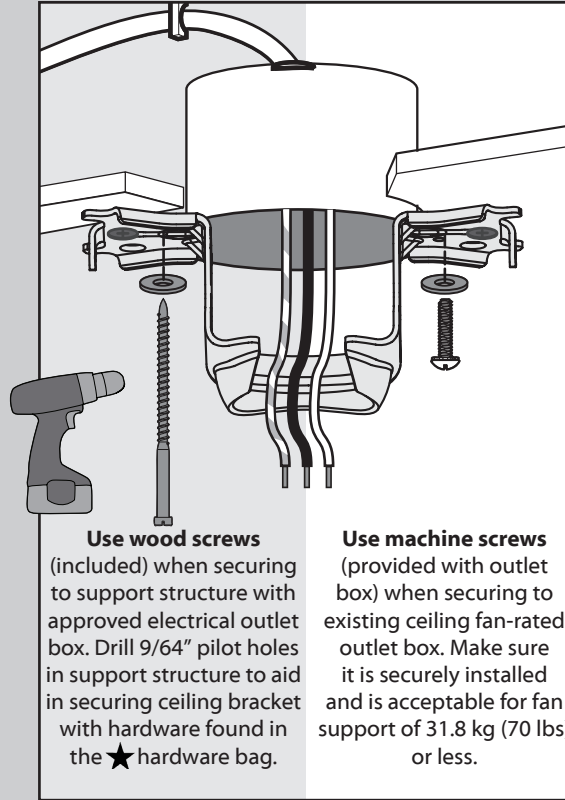




Make sure all four bumpers are still attached.

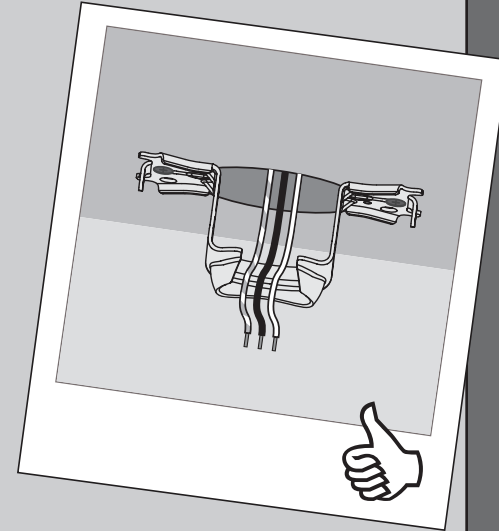


If you are unable to do this, call Technical Support at 1-888-830-1326.



**Use wood screws** (included) when securing to support structure with approved electrical outlet box. Drill 9/64" pilot holes in support structure to aid in securing ceiling bracket with hardware found in the ★ hardware bag.

**Use machine screws** (provided with outlet box) when securing to existing ceiling fan-rated outlet box. Make sure it is securely installed and is acceptable for fan support of 31.8 kg (70 lbs) or less.

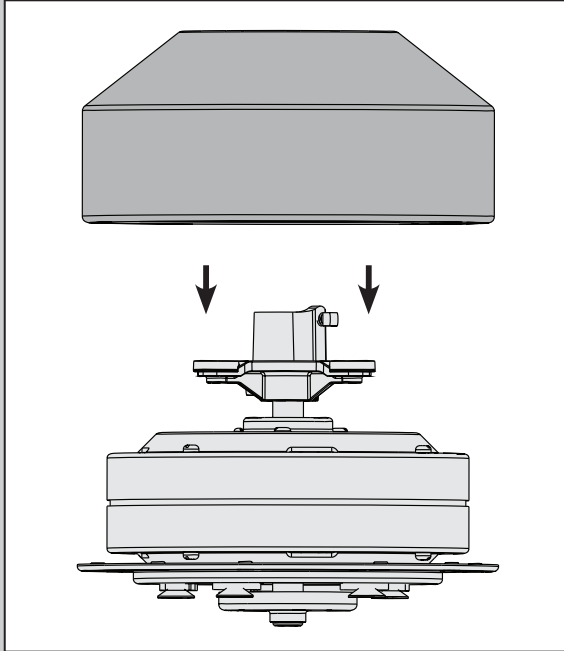


Refer to warning w.1 on pg. 2

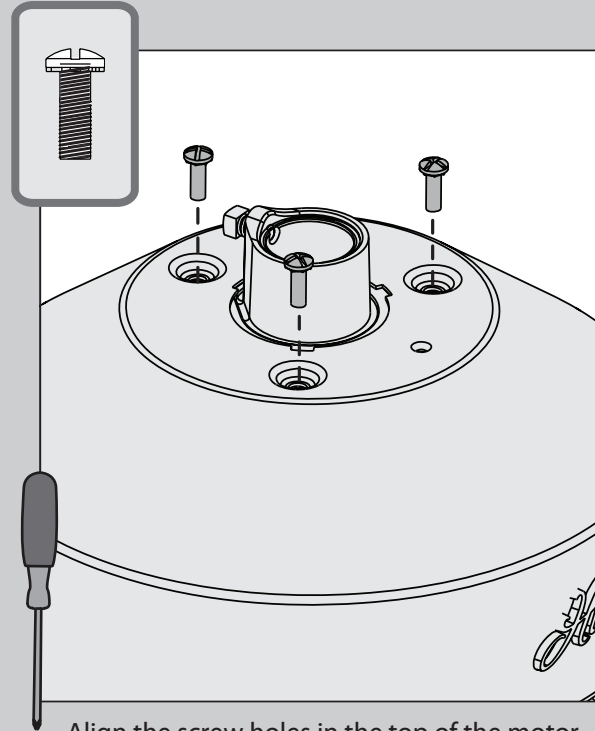


To avoid possible electrical shock, before installing your fan, disconnect the power by turning off the circuit breakers to the outlet box associated with the wall switch location.

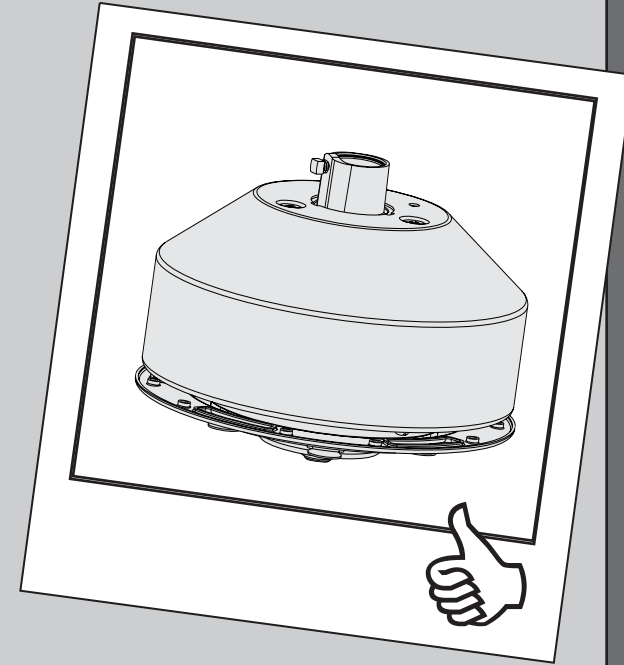




Gently lower the motor housing so it rests in place on the motor assembly.

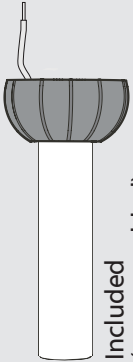


⊗ Align the screw holes in the top of the motor housing with the screw holes in the motor assembly. Install the three motor housing screws, found in the ● hardware bag.



Option 1

**Standard Downrod**  
for ceilings 8-10' high



Included  
(pre-assembled)

Option 2

**Shorter Downrod**  
for fans installed  
close to ceiling



Included

Option 3

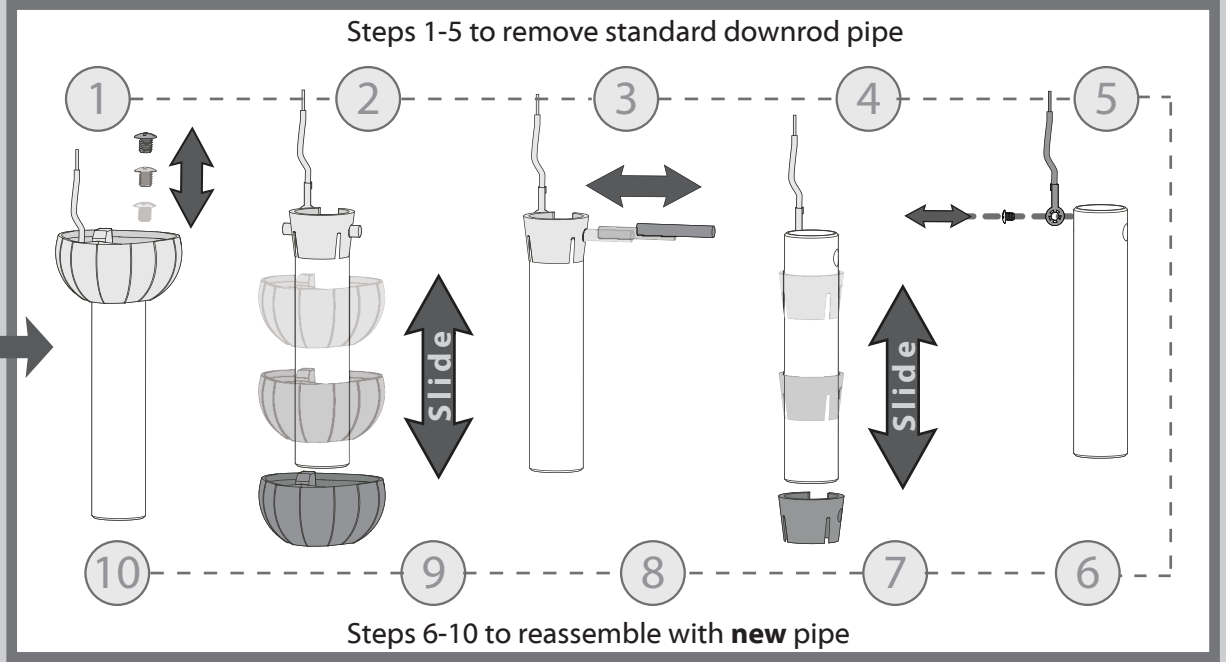
**Longer Downrod**  
for angled  
ceilings or  
ceilings 10' or  
higher

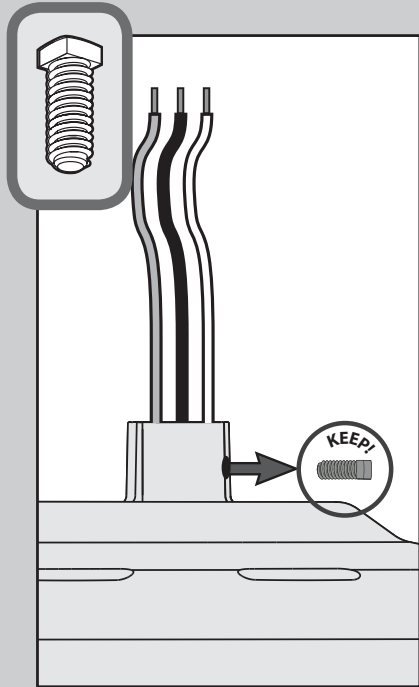


Sold Separately

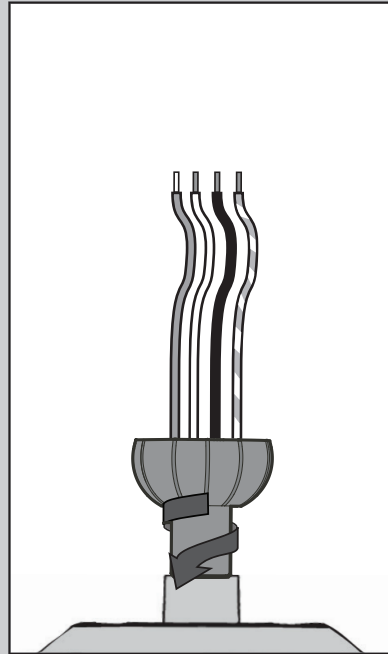
skip to next page

If you need a different downrod length follow these steps:

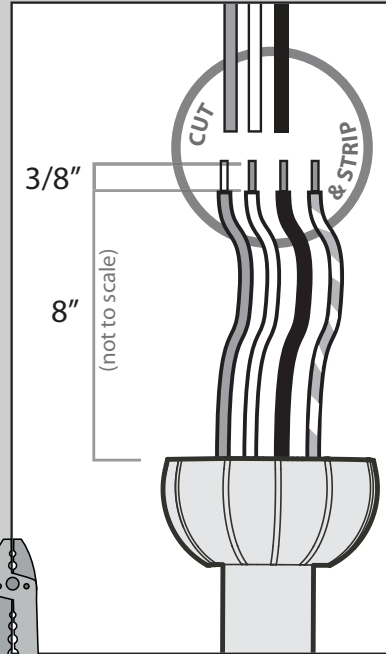




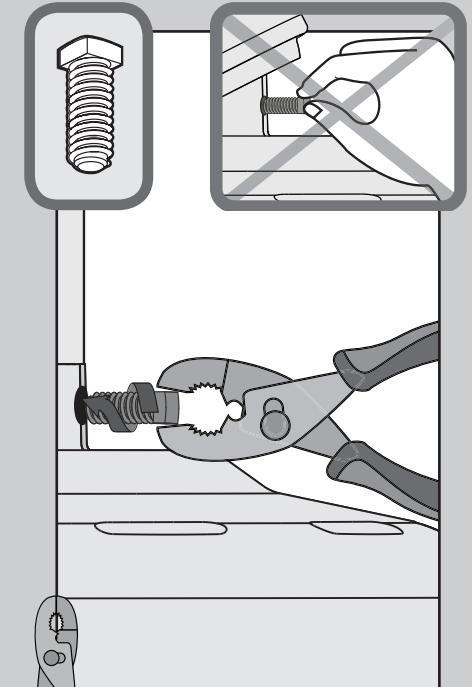
Remove the pre-installed setscrew so that the downrod can be inserted.



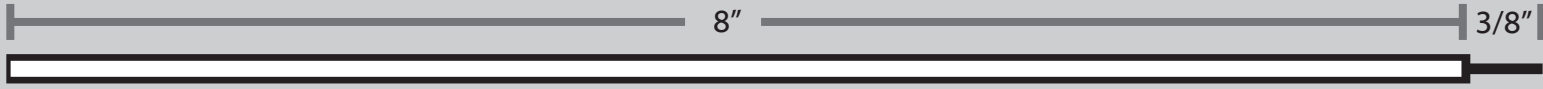
Hand tighten the downrod (at least 4-5 full turns) until it stops.



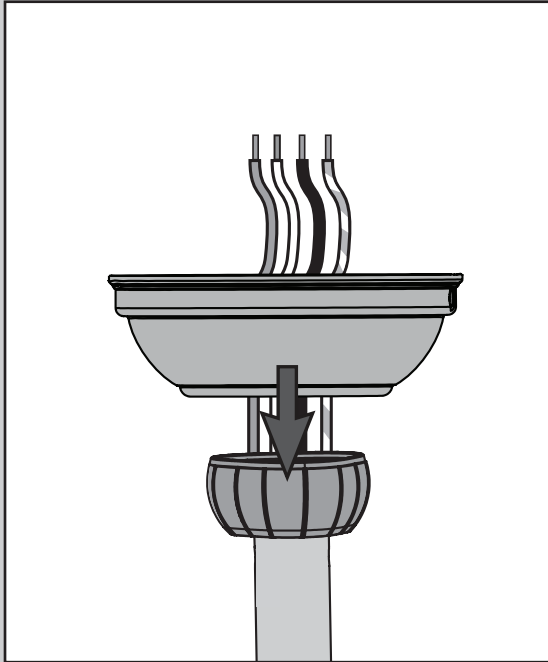
The wires can be cut, but leave at least 8" extending from the top of the downrod.



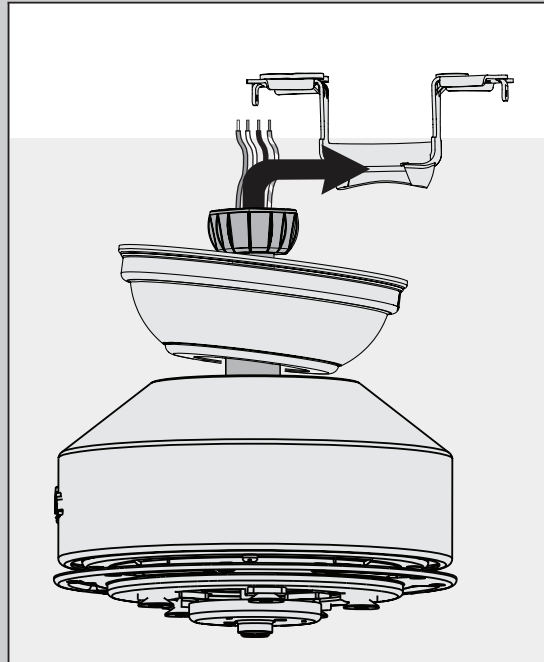
Tighten the setscrew with pliers. **DO NOT HAND TIGHTEN.**



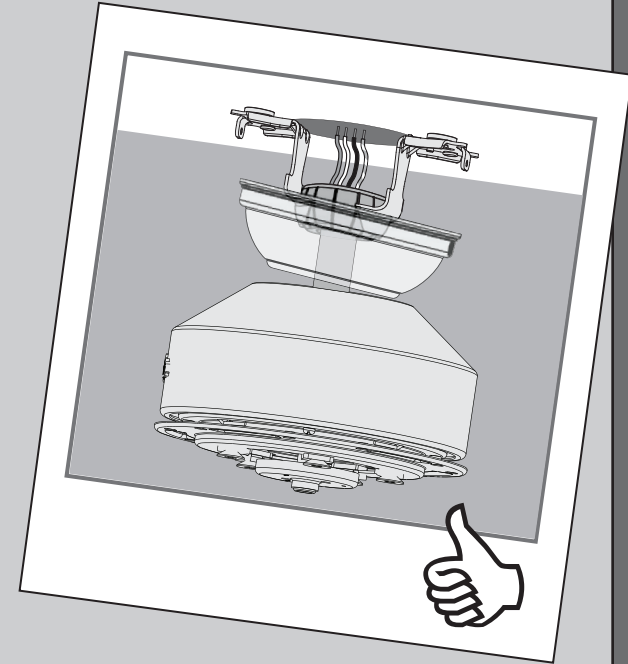
If the setscrew is not tightened securely, the fan may fall.



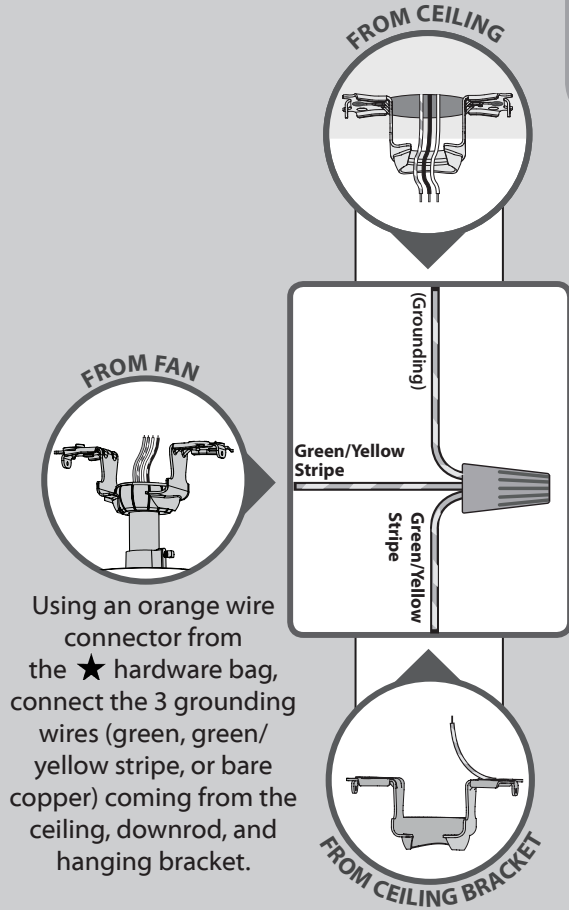
Put the wires and downrod through the canopy. Let the canopy sit loosely on top of the fan.



**DO NOT PICK THE FAN UP BY THE CANOPY OR WIRES.** Place the downrod ball into the slot in the ceiling bracket.

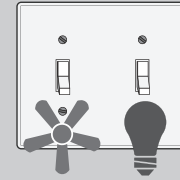
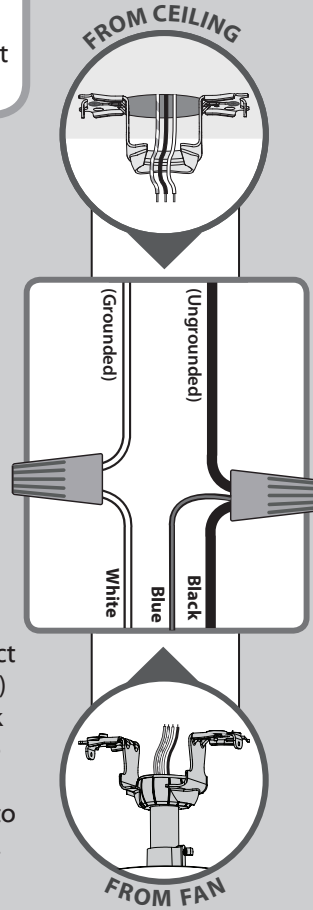


**Note:** To connect the wires, hold the bare metal leads together and place a wire connector over them, then twist clockwise until tight.



**For a Single Switch**

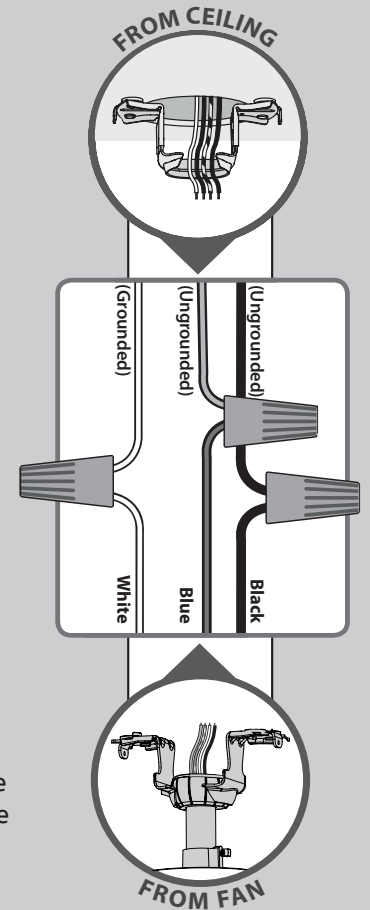
Using the orange wire connectors from the ★ hardware bag, connect the black wire (ungrounded) from the ceiling to the black and the blue wires from the fan. Connect the white wire (grounded) from the ceiling to the white wire from the fan.



**For Dual Switches**

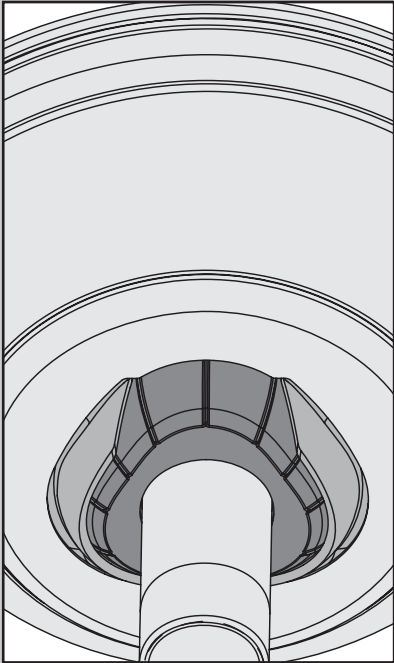
Using the orange wire connectors from the ★ hardware bag, connect the white wire (grounded) from the ceiling to the white wire from the fan.

Connect the black wire (ungrounded) from the ceiling to the black wire from the fan. Connect the second (ungrounded) wire from the ceiling to the blue wire from the fan.

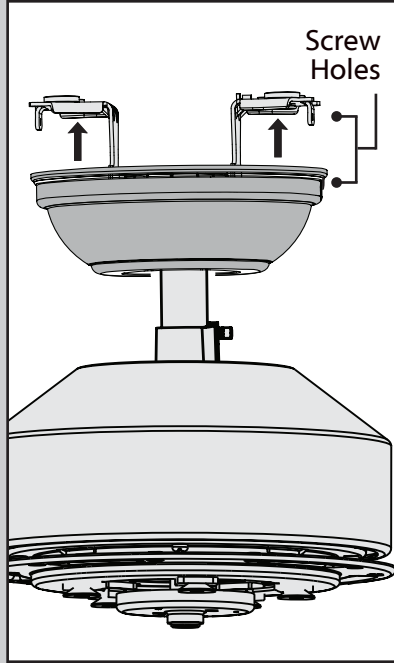


Refer to CAUTION c.1 on pg. 2

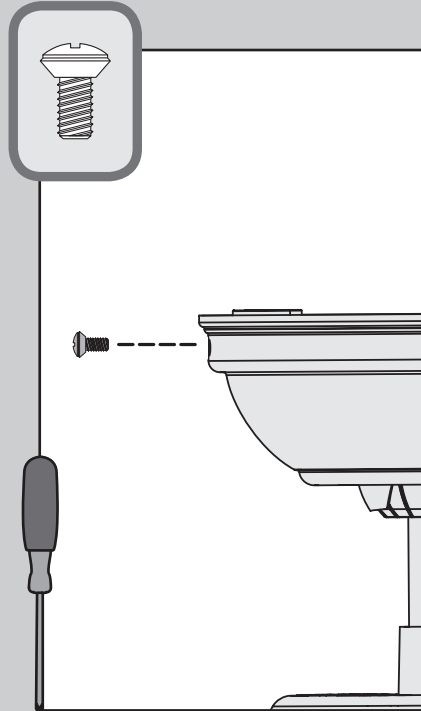
Turn the splices upward and push them carefully back through the hanger bracket into the outlet box. Spread the wires apart, with the grounded wires on one side of the outlet box and the ungrounded wires on the other side of the outlet box.



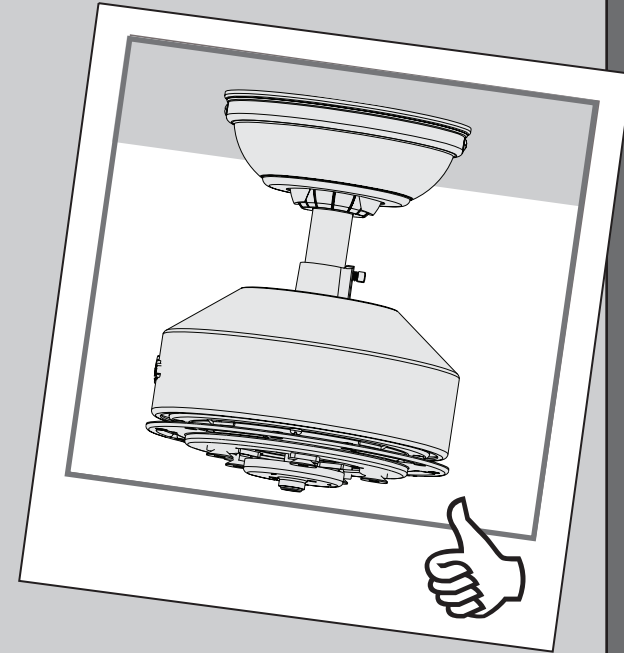
Position the canopy so that, when lifted into place, the canopy fits into the hanging bracket as shown.



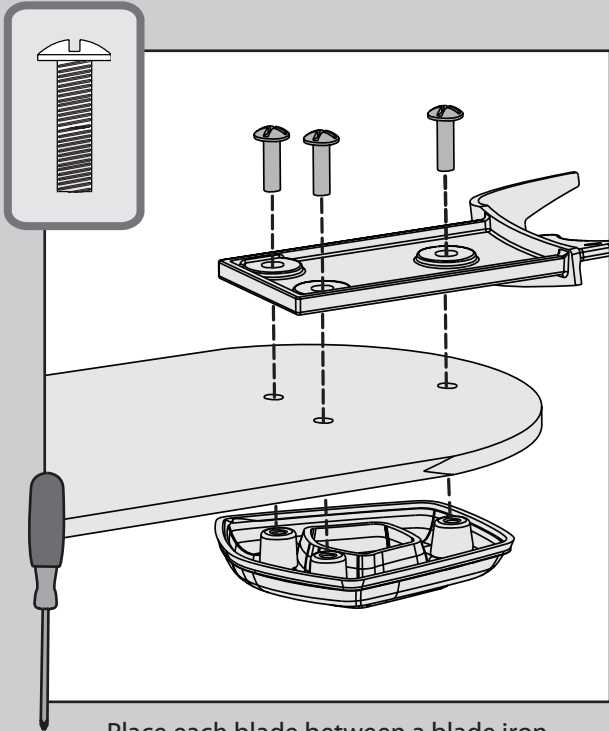
Lift the canopy into place so that the screw holes are aligned.



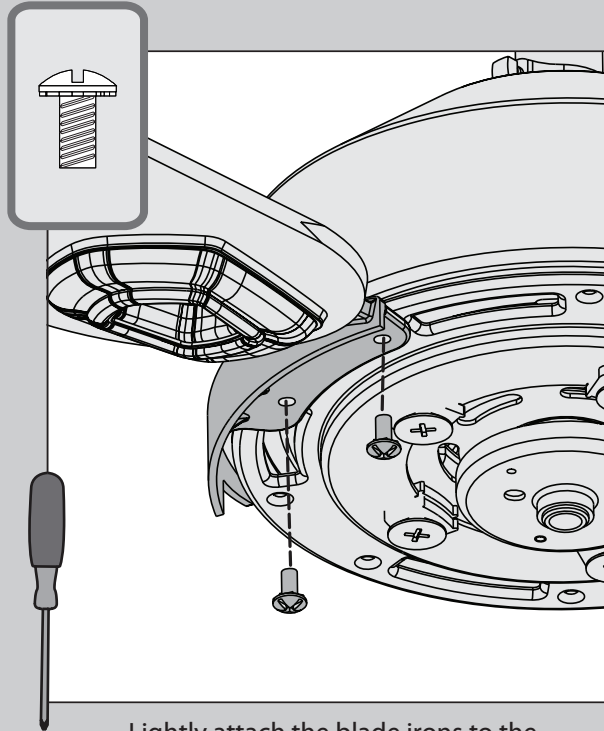
⊗ Insert the two canopy screws found in the ● hardware bag.



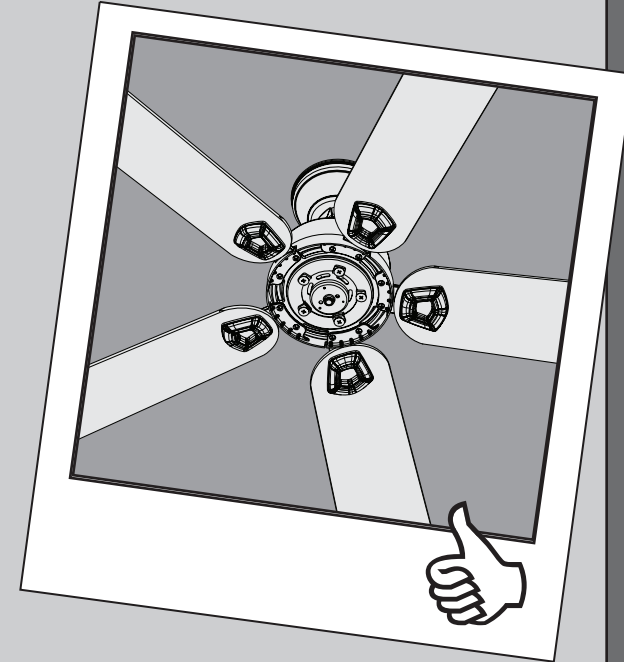
**Note:** Fan style may vary.



Place each blade between a blade iron and medallion. Install three blade screws, found in the ▲ hardware bag, to attach the medallion to the blade iron.

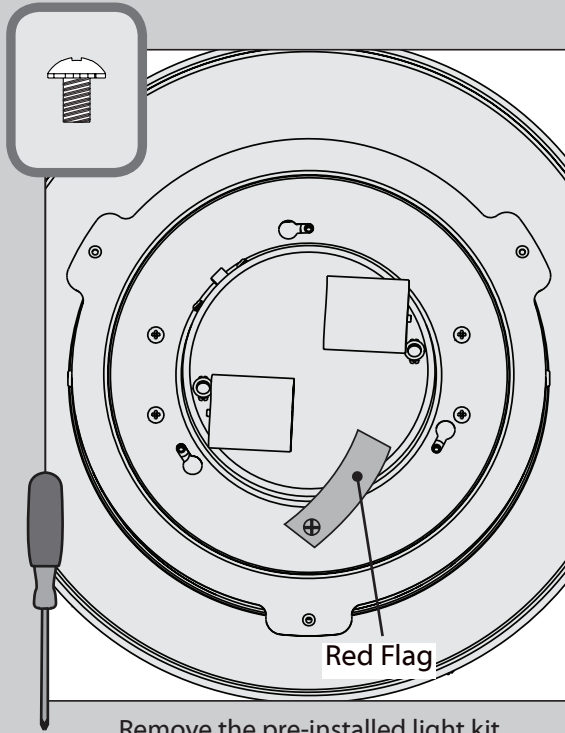


Lightly attach the blade irons to the motor with screws found in the ☒ hardware bag, then securely tighten after both screws are attached.



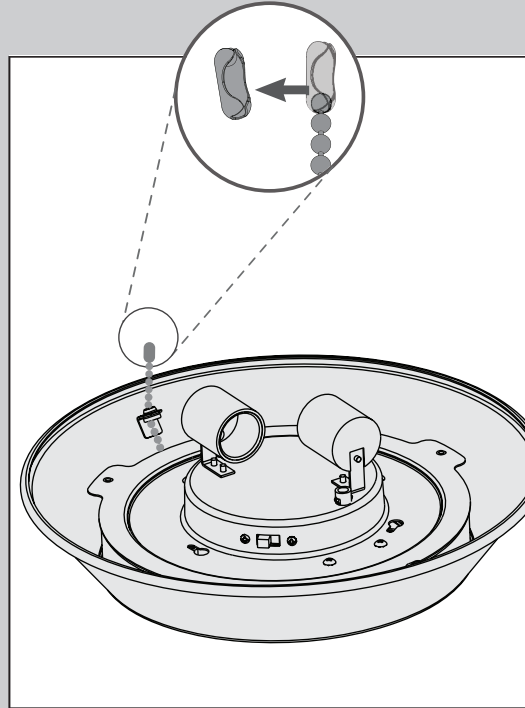
Your blades are shielded with Dust Armor® which is a nanotechnology coating that repels dust. For cleaning the fan, use soft brushes or cloths to prevent scratching. Cleaning agents may damage the finishes.



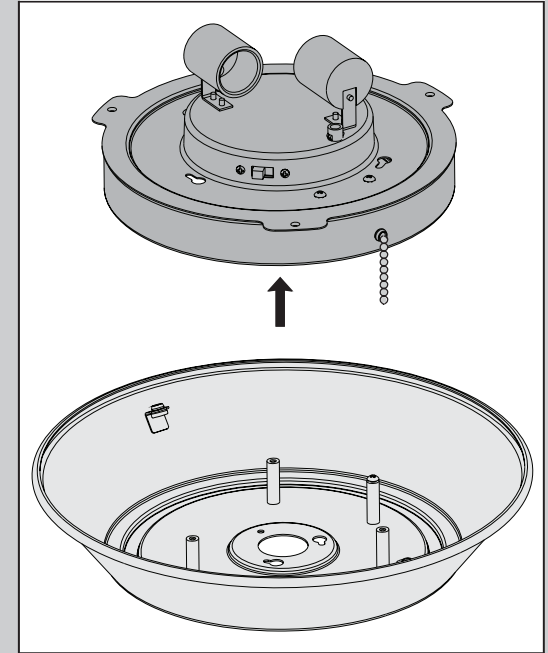


Remove the pre-installed light kit assembly screw and red flag from the light kit assembly. **Save the screw. It will be needed for light kit installation.**

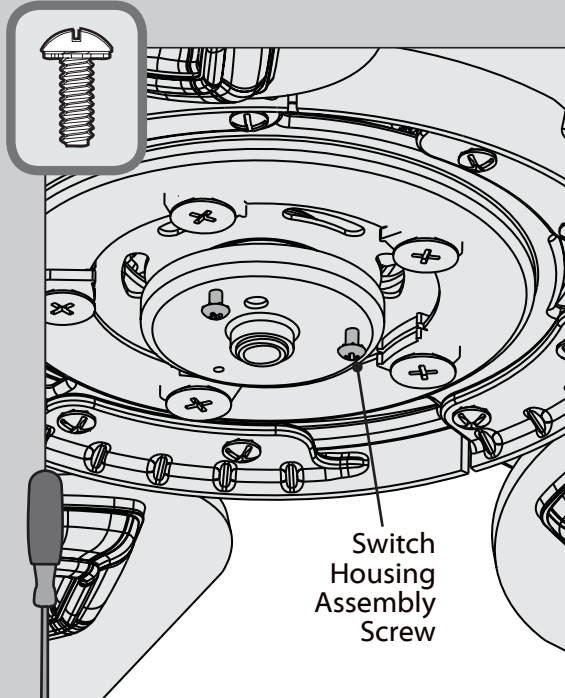
**Note:** The screw was installed for shipping purposes only.



Remove and discard the plastic connectors from the ends of the two pull chains.

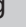


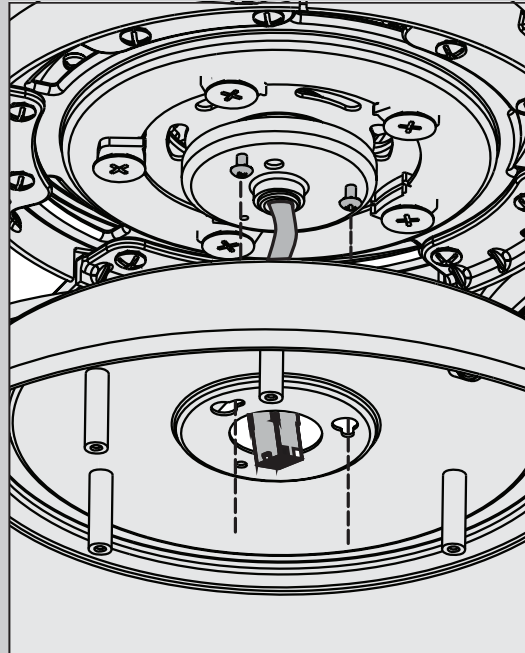
Carefully remove the light kit from the upper switch housing and set the light kit aside.



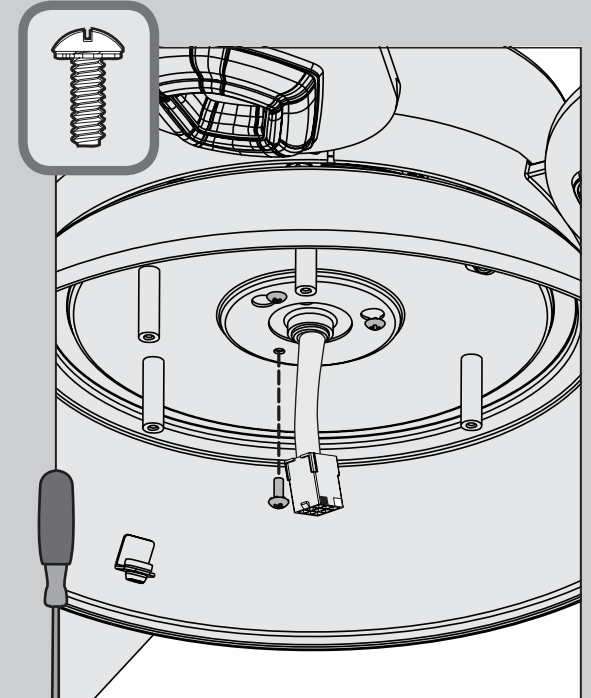
Switch Housing Assembly Screw

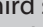


Partially install two switch housing assembly screws, found in the  hardware bag, into the motor housing as shown. It does not matter which two screw holes you choose.



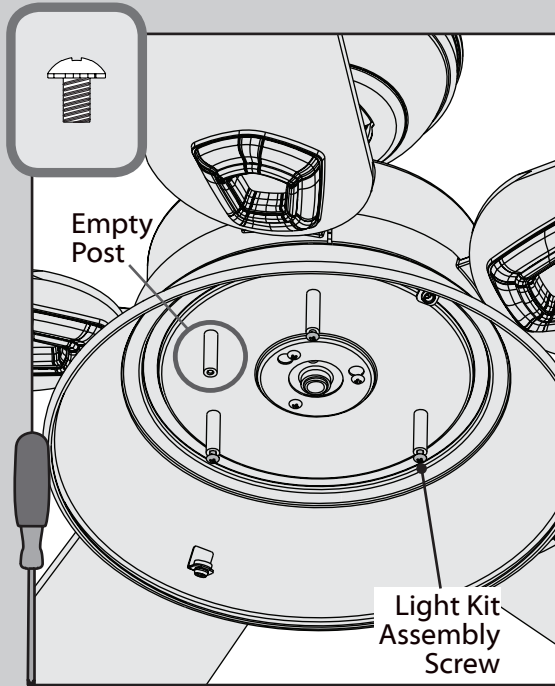
Feed the wire plug through the center hole of the upper switch housing, then wrap keyhole slots around the two screws and twist counterclockwise to lock the upper switch housing into place.



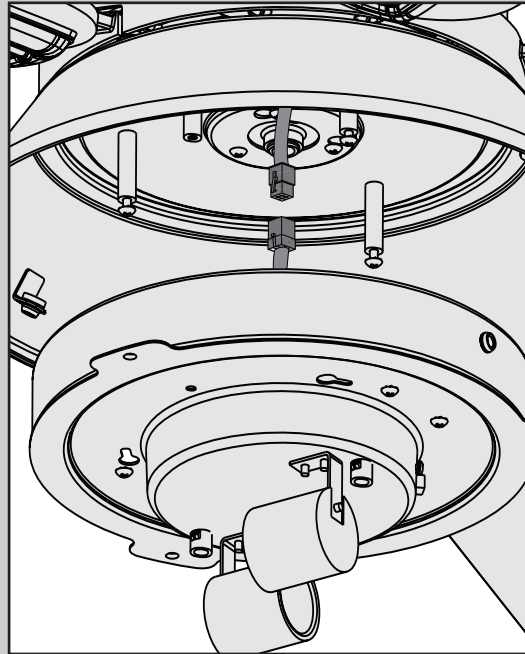
Insert the third screw, found in the  hardware bag, into place and then tighten all three screws.

Make sure the upper switch housing is securely attached to the mounting plate. Failure to properly secure all 3 assembly screws could result in the switch housing fixture falling.

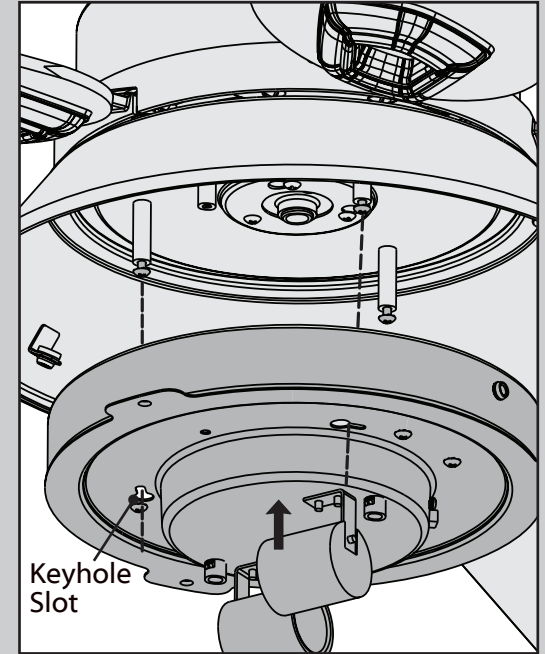




⊗ Partially install three light kit assembly screws, found in the ≡ hardware bag, into the posts as shown, leaving the circled post empty.



Connect the plugs from the upper and lower switch housings. Make sure to line up the colored markings on the connectors.



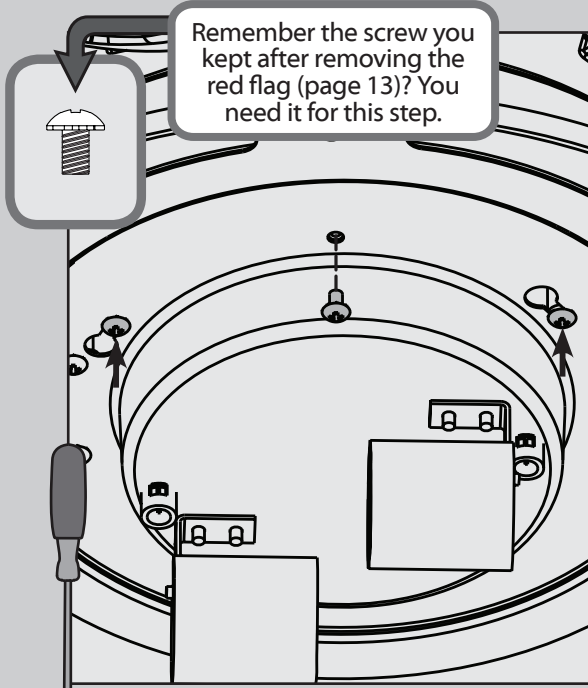
Align the three keyhole slots in the light kit with the three assembly screws in the posts. Lift the light kit and twist clockwise to lock it into place. Be sure that both pull chains are hanging freely.

Use only the light kit supplied with this fan model.

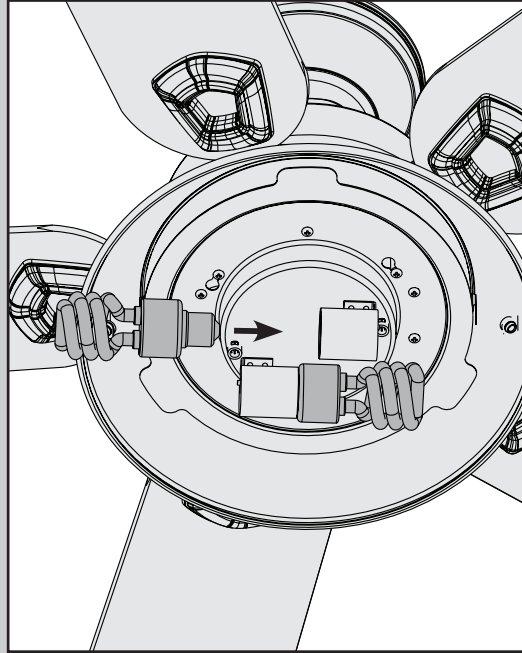


Make sure the lower switch housing is securely attached to the upper switch housing. Failure to properly secure all three assembly screws could result in the light fixture falling.

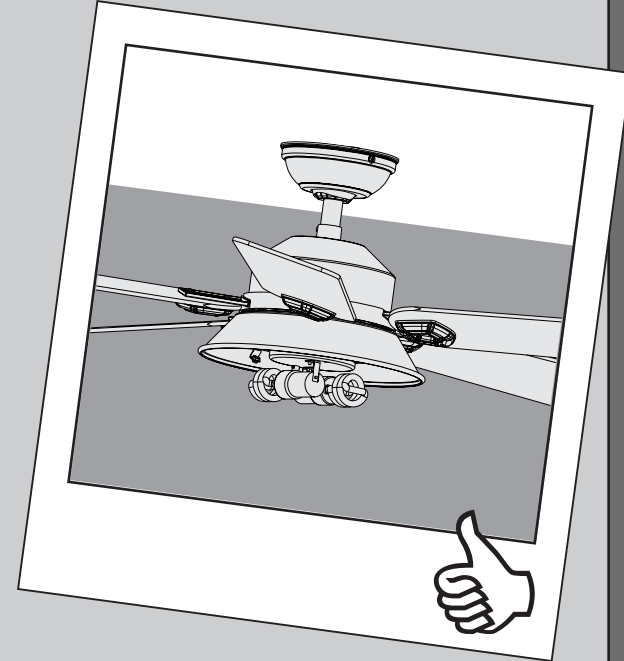


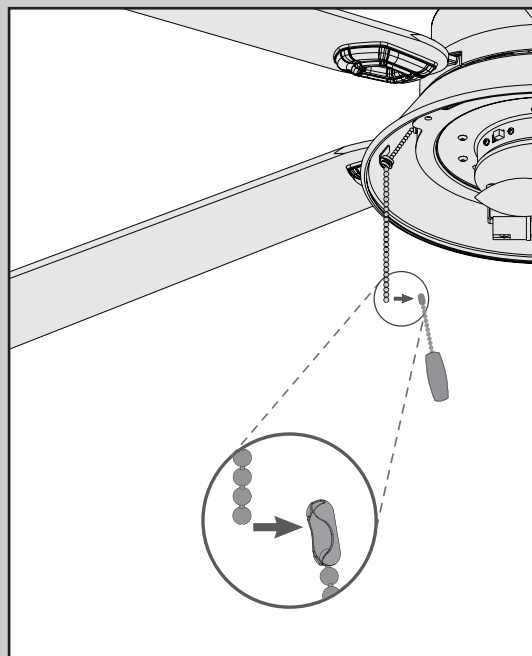


⊗ Install the fourth light kit assembly screw and tighten all four screws securely.

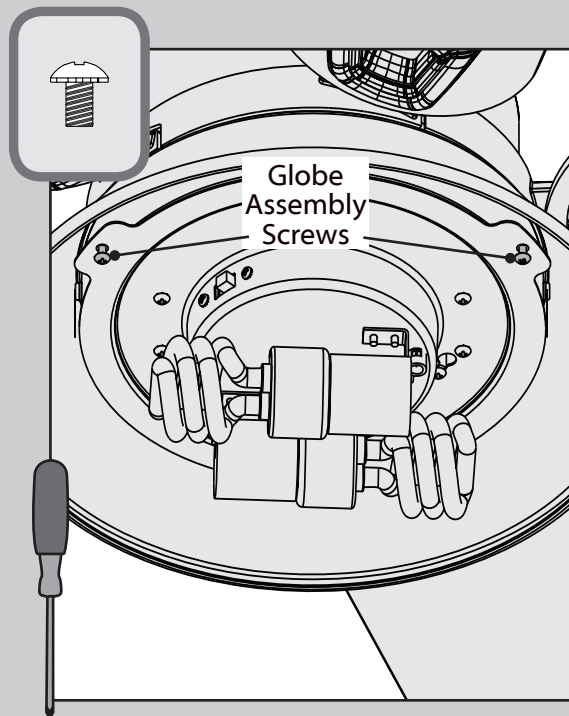


Install a bulb into each of the sockets. When necessary, replace with bulbs of the same wattage.

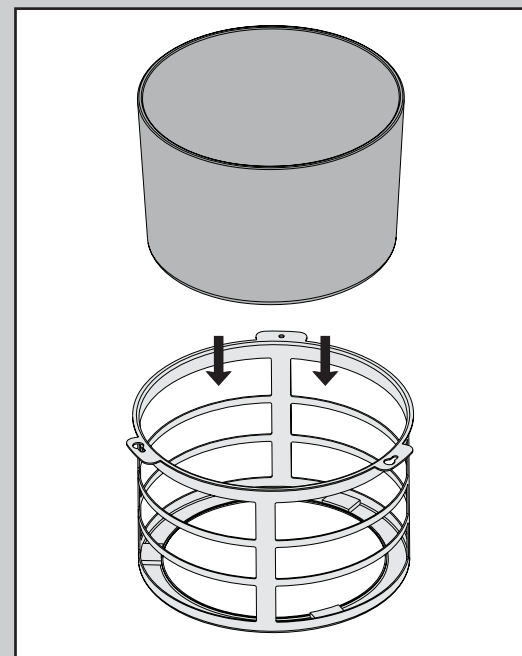




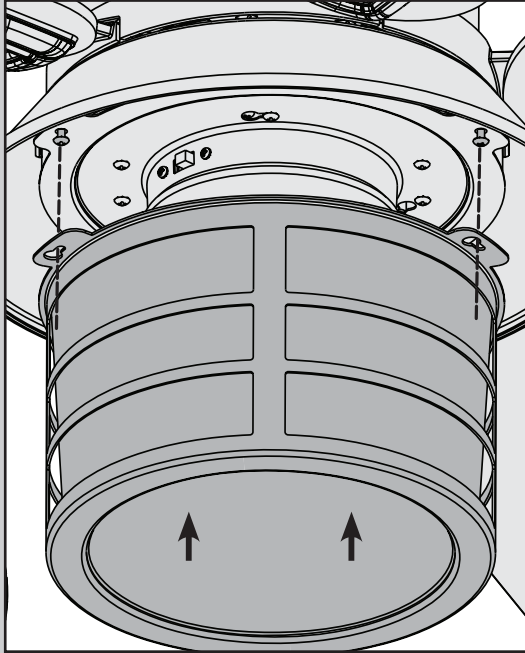
Feed the pull chains from the fan switch and the light switch down through the holes in the upper switch housing as shown. Attach the pull chain pendants to the light and fan pull chains. The fan pull chain controls the speed: from high to off. The light pull chain controls the light fixture: on and off.



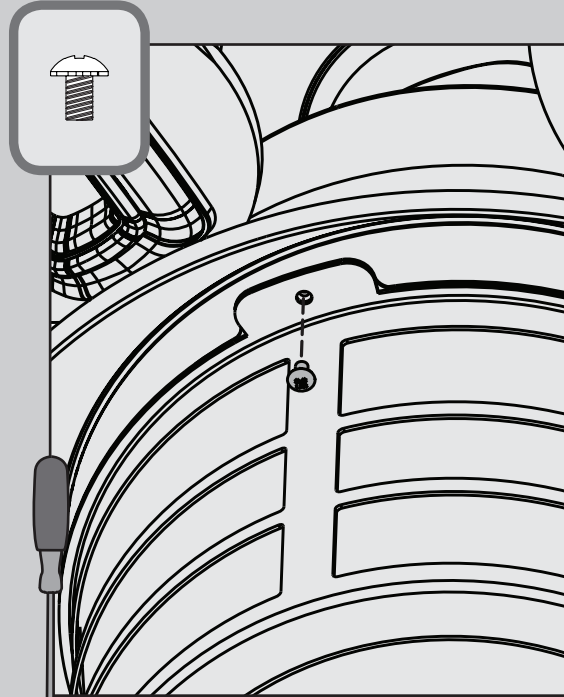
Partially install two globe assembly screws, found in the ☰ hardware bag, halfway into the light kit assembly as shown. It does not matter which two screw holes you choose.



Carefully lower the globe into the globe retainer until it rests in place.



Align the keyhole slots in the globe assembly with the partially installed screws in the light kit assembly. Lift the globe assembly and twist counterclockwise to lock it into place.

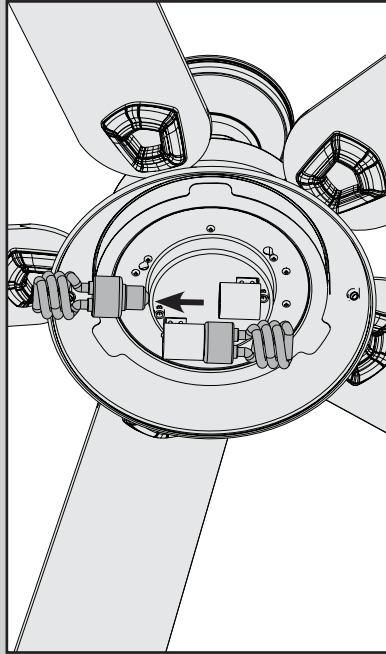
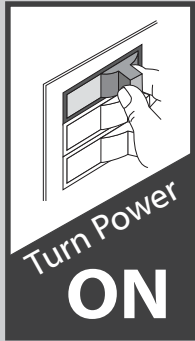


⊗ Install the third globe assembly screw and tighten all three screws securely.

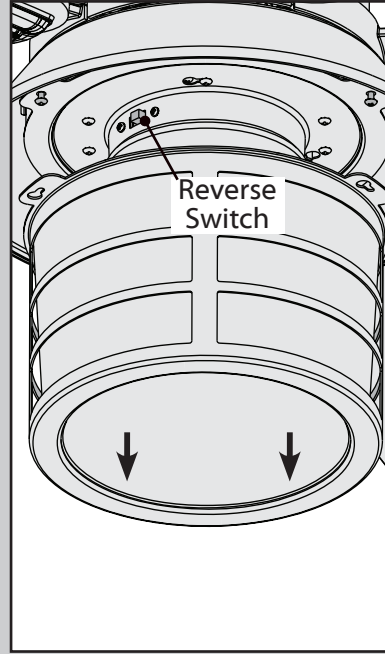


Make sure the globe assembly is securely attached to the switch housing. Failure to properly secure all three assembly screws could result in the light fixture falling.



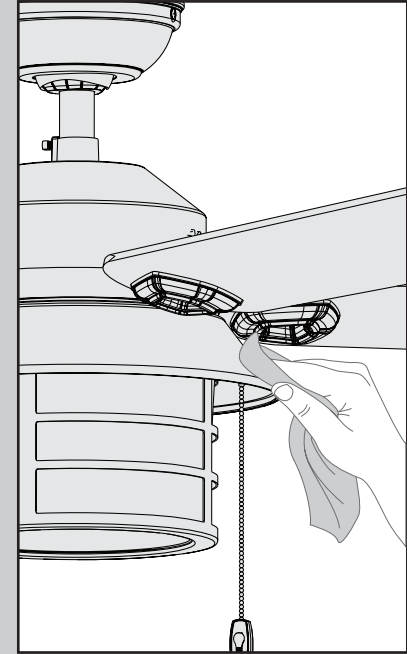


**Changing the bulbs** - carefully remove the globe assembly. Unscrew the bulbs and replace with bulbs of the same wattage. Reinstall the globe assembly.



**Changing the direction of air flow** - move the reverse switch to the opposite position.

**Note:** The reversing switch is located on the switch housing. It can only be accessed when globe is removed.



**Cleaning the fan** - use soft brushes or cloths to prevent scratching. Cleaning products may damage the finishes.



## Fan doesn't work

- Make sure power switch is on.
- Pull the pull chain to make sure it is on.
- Push the motor reversing switch firmly left or right to ensure that it is engaged.
- Check the circuit breaker to ensure the power is turned on.
- Make sure the blades spin freely.
- Turn off power from the circuit breaker, then loosen the canopy and check all the connections according to the wiring diagram on page 10.
- Check the plug connection in the switch housing.

## Excessive wobbling

- Tighten all of the blade and blade iron screws until they are snug.
- Turn the power off, support the fan carefully, and check that the hanger ball is properly seated.
- Use the provided balancing kit and instructions to balance the fan.

## Noisy Operation

- Tighten the blade and blade iron screws until they are snug.
- Check to see if any of the blades are cracked. If so, replace all of the blades.

## Lights dim when turned on or do not turn on at all.

- Make sure the wattage of the light bulbs installed matches the specifications on the light sockets.