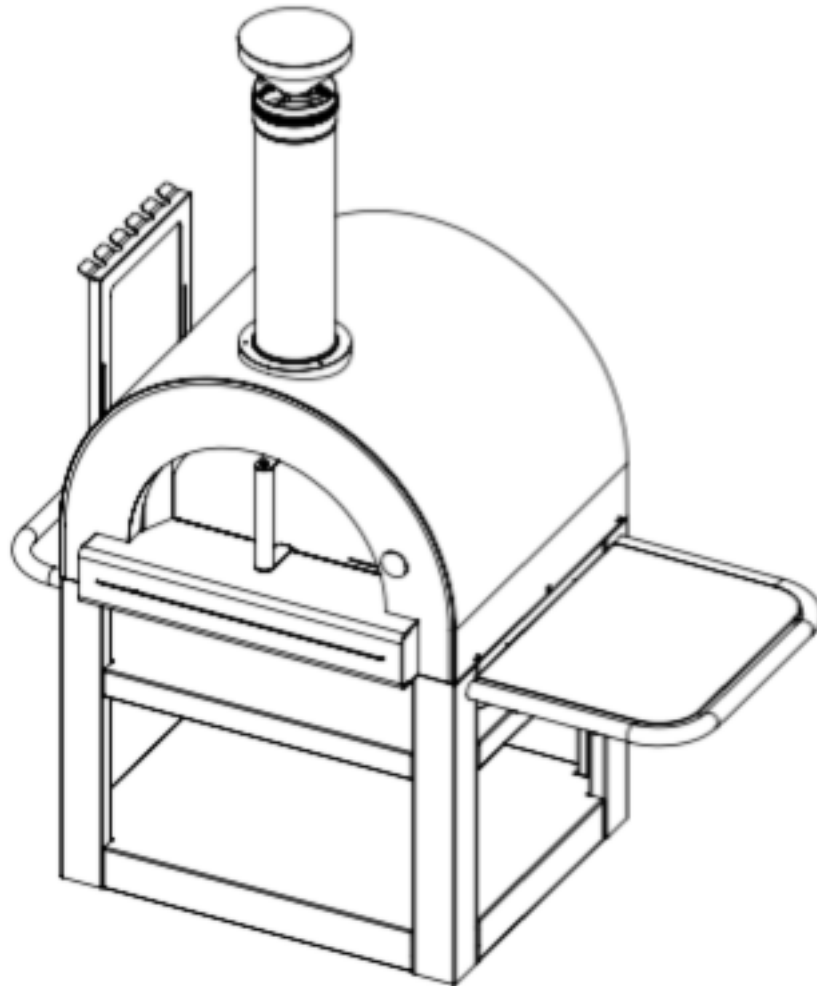





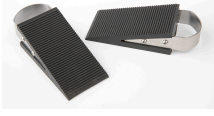
 **FORNO  
VENETZIA**  
**PRONTO 500**  
Wood Burning Oven

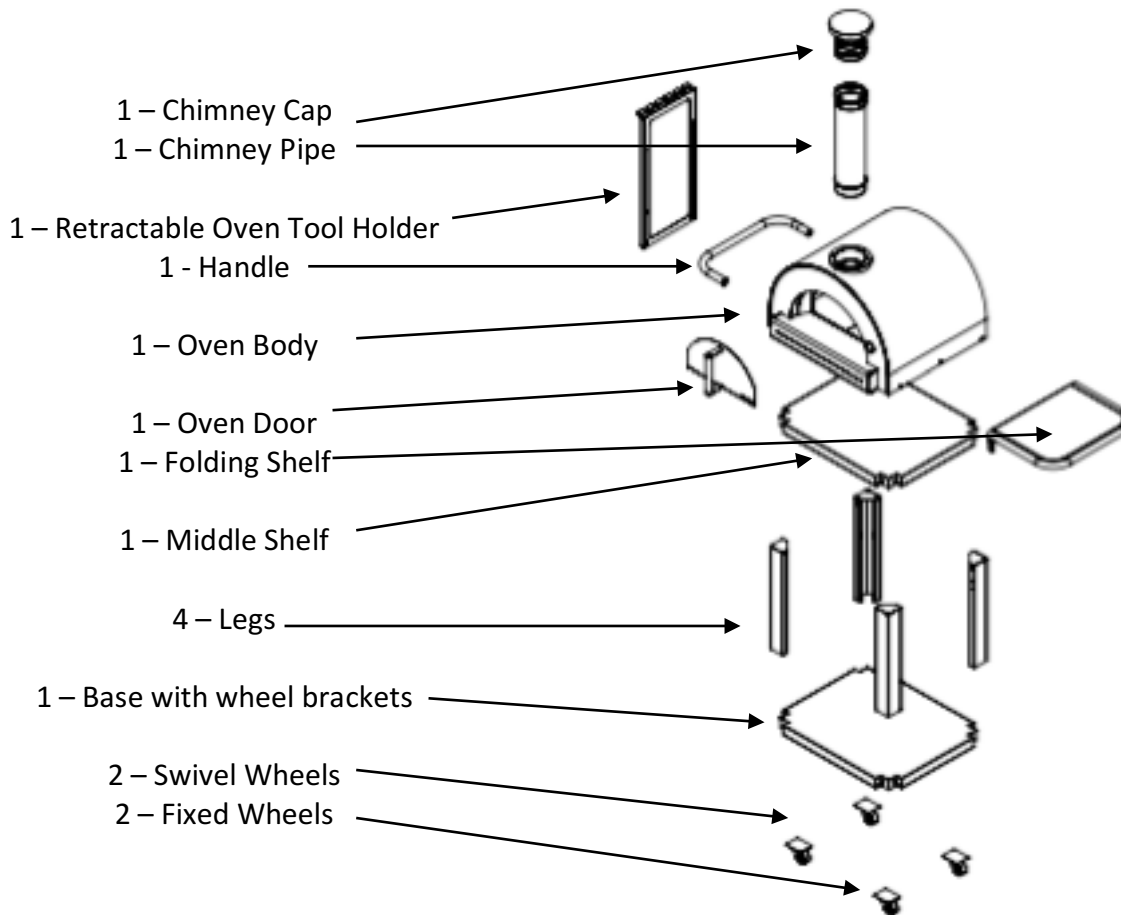
**Assembly Guide**



1. Carefully unpack the oven legs and all other contents found inside the box taking care not to scratch the various parts. Do not dispose of the polystyrene as you will need this during assembly to avoid scratching the oven and parts.
2. Next, ensure you have all the necessary parts and components.

### **Forno Venezia Pronto 500 Hardware List**

<u>Item</u>	<u>Name</u>	<u>Size</u>	<u>Material</u>	<u>Image</u>	<u>Quantity</u>	<u>Use for</u>
1	Hexagon socket screws	M6*16	Carbon steel		64	wheels (4*4) Lower shelf (16) Upper shelf (16) Cart beam (4*2) Cart handle (4) Cart leg (1*4)
2	Allen key	M4, Length 143mm	Stainless steel		1	Tool
3	Plastic head screws	M6*20	Stainless steel		8	Foldable shelf (4) Tool holder (4)
4	Wheel Blocks	n/a	Rubber		2	Place firmly up against wheels to prevent movement during operation



3. Carefully remove the laser film protective covering. Avoid using sharp or metal objects as to not damage the finish of the oven.

4. Position the polystyrene packaging on the floor and place the parts on it to avoid scratches.

**\*\*CAUTION – AS THE OVEN IS HEAVY SOME STEPS REQUIRE TWO PEOPLE TO PERFORM THE ASSEMBLY\*\***

5. Attached the 4 legs to the base with the wheel brackets. Ensure the legs with the holes for the handle are both on the same side. Start by positioning two legs on the polystyrene and attach the base. Turn the now partially assembled cart a ¼ (quarter) turn and attach the third leg. Turn one more time to attach the last leg.

6. Turn the partially assembled cart upside down and attach the 2 swivel wheels to the same side as the legs with the holes for the handle.

7. Attach the 2 fixed wheels to the remaining side.

8. Turn the cart back on its side and attach the middle shelf to the partially assemble cart frame. **Ensure the screw holes on the side of the middle shelf are on the same side as the holes in the legs for the handle.**

9. Turn the now assemble cart right side up.

10. Attach the side arms between two legs on each side of the cart. **Ensure the side arm with the screw holes is attached to the same side as the legs with the holes for the handle.**

11. Carefully remove the bricks from the inside of the oven. This will make it lighter and easier to move. Handle the bricks with care as they are fragile.

12. Using some the polystyrene from the packaging underneath the oven, turn the oven on its back. This step should be performed by two people.

13. Turn the cart on its side and attach it to the bottom of the oven. Once all socket screws are firmly in place and tightened, turn the oven right side up.

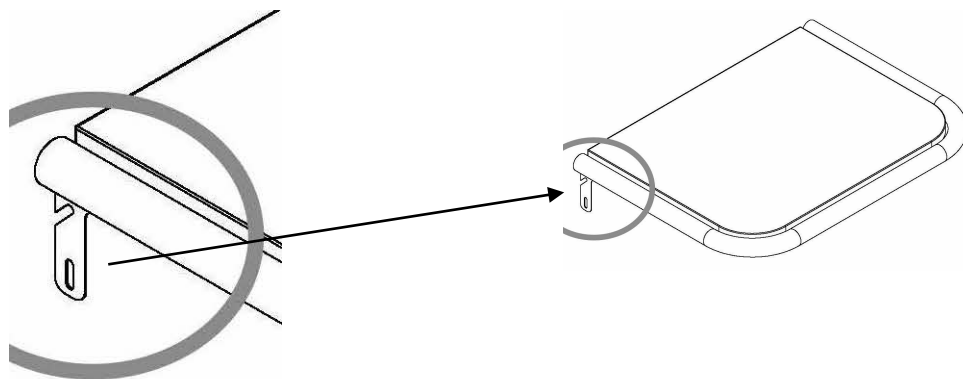
14. Firmly tighten all socket screws.

15. Insert handle into the legs and tighten all 4 screws securely.

16. On the opposite side of the handle, insert two plastic head screws halfway into the lower of the two screw holes on the inside of each leg.

17. Holding the folding shelf in place, insert a plastic head screw through each side of the folding shelf hinge and into the top screw holes on the inside of each leg. Do not over tighten as the shelf should move easily but securely.

18. To extend the folding shelf, lift the shelf and guide the hooks of the hinge onto the top two plastic head screws on the inside of each leg.



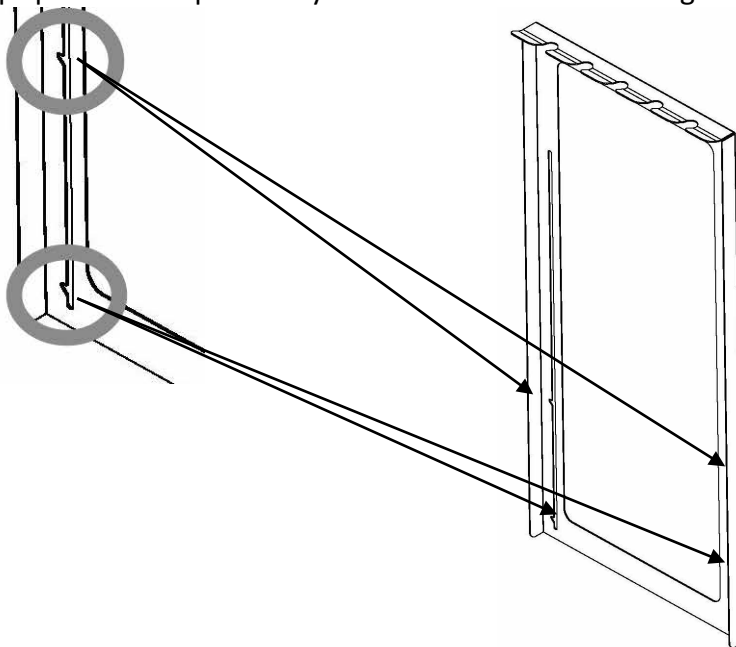


19. If the folding shelf is not level when extended, gently push down on the rounded corners of the folding shelf. The folding shelf is designed to tilt slightly upward in order to support the weight of items that may be placed on it during use.

20. Attach the retractable tool holder using 4 plastic head screws.

21. To extend the retractable tool holder slide the tool holder upward until the plastic head screws can be steered into the "hooks" on the left side of the slot in the tool holder.

22. Ensure all 4 plastic head screws are completely inserted into the "hooks" and the tighten. This helps prevent the possibility of the tool holder retracting when holding the oven tools.



23. To retract the tool holder, remove all tools, and loosen all 4 plastic head screws. Now lift the tool holder slightly to take it off the “hooks” and gently allow it to slide down in to the storage position.



24. Slide the chimney pipe into the flue opening on the top of the oven. Ensure it is completely in place and straight.

25. Slide the chimney cap into the top of the chimney pipe. Ensure it is also completely inserted into the chimney pipe.

#### **Storing your oven....**

1. Ensure any embers and ash are extinguished completely and empty into the metal bucket or container as previously instructed. Sweep oven hearth to remove any residual ash and soot.
2. Remove oven tools from tool holder and gently lower the tool holder down to the stored position. Do not let the tool holder drop as this will damage the oven and the tool holder.
3. Slightly lift the folding shelf up until the hooks at the top of the hinge can slide off of the top plastic head screws and gently tilt the front of the folding shelf down to allow it to rotate downward until resting beside the cart. Do not let the folding shelf drop as this will damage the oven and the folding shelf.
4. Carefully remove the chimney cap and then the chimney pipe. Take care as the chimney cap may have some soot around the edges of the top of the cap.
5. Carefully store the chimney cap and pipe inside the oven chamber and replace the door.
6. Ensure the wheel blocks are placed up against the wheels to prevent the oven from accidentally moving during the off season.