

Features

- Two handle installation for 8" - 16" centers.
- UltraGlide engineered ceramic disc valves exceed industry longevity standards two times for a lifetime of durable performance.
- Premium metal construction.
- Handles pre-assembled on valves to simplify installation.
- Red/blue indexing.
- Kohler finishes resist corrosion and tarnishing, exceeding industry standards two times.
- Vertical spray.
- Fixture-mount transfer valve/vacuum breaker.



Codes/Standards

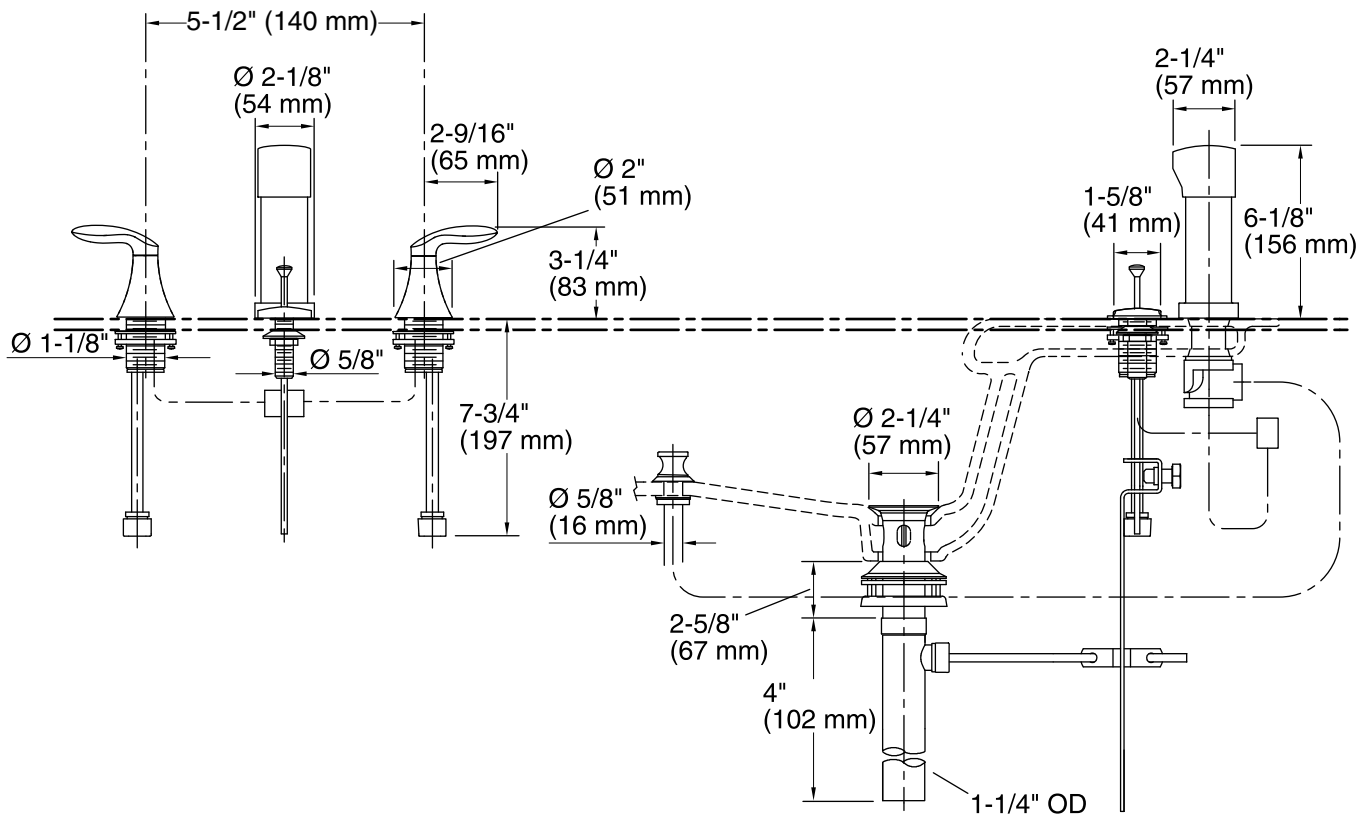
ASME A112.18.1/CSA B125.1
ASSE 1001

See website for detailed warranty information.

Available Color/Finishes

Color tiles intended for reference only.

Color	Code	Description
	CP	Polished Chrome
	G	Brushed Chrome



Technical Information

All product dimensions are nominal.

Valve body: Machined Brass
 Drain with overflow: YES
 Drain tailpiece included: YES

Notes

Install this product according to the installation guide.